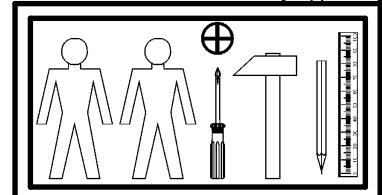
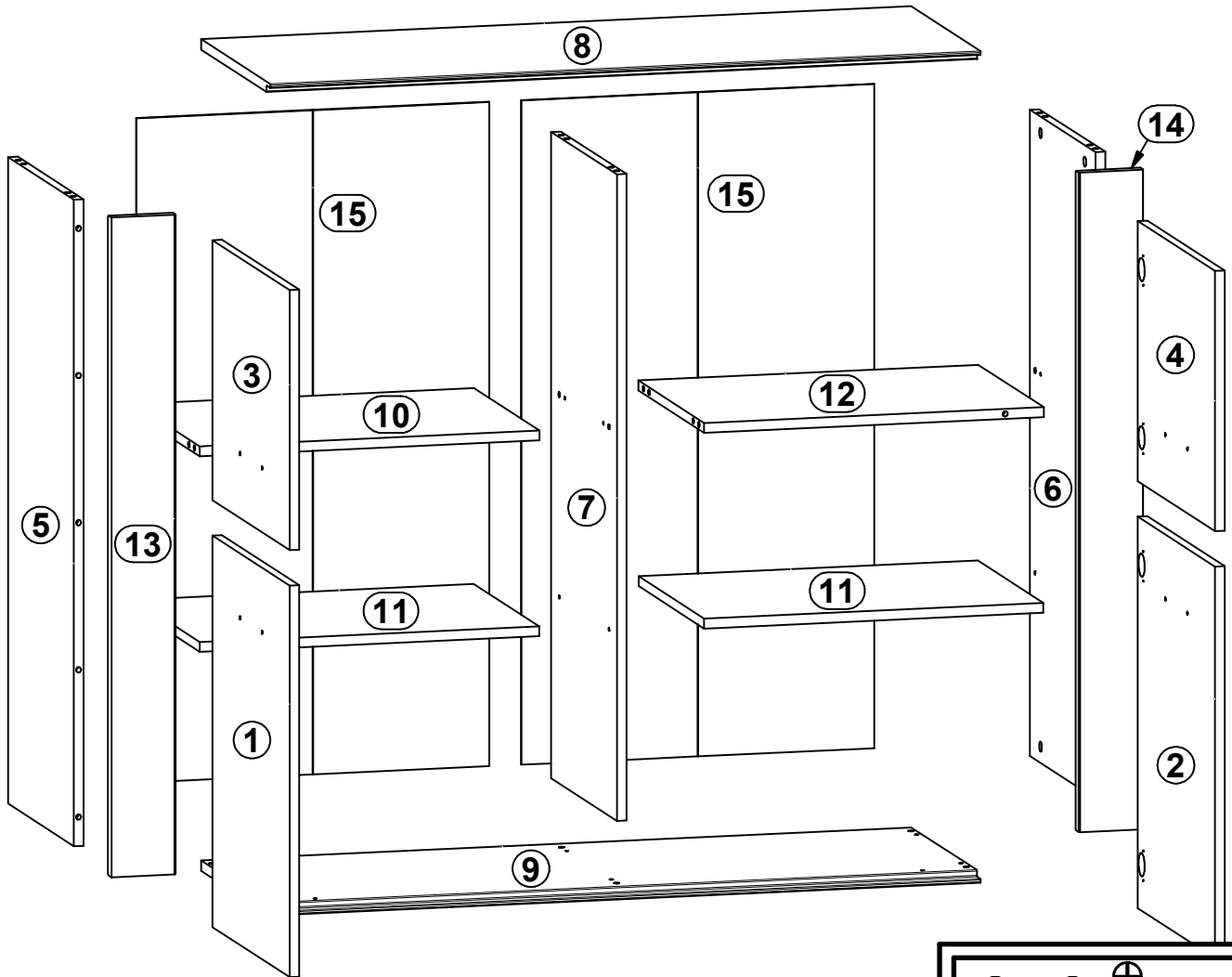
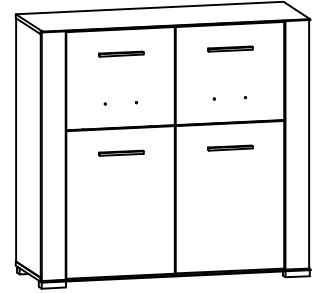
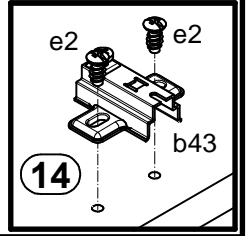
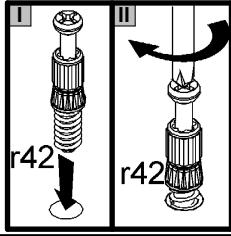
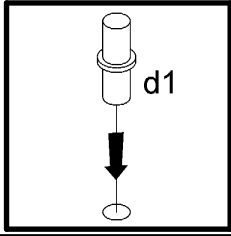
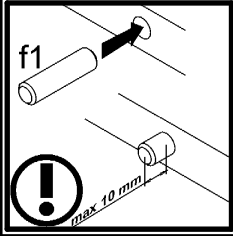
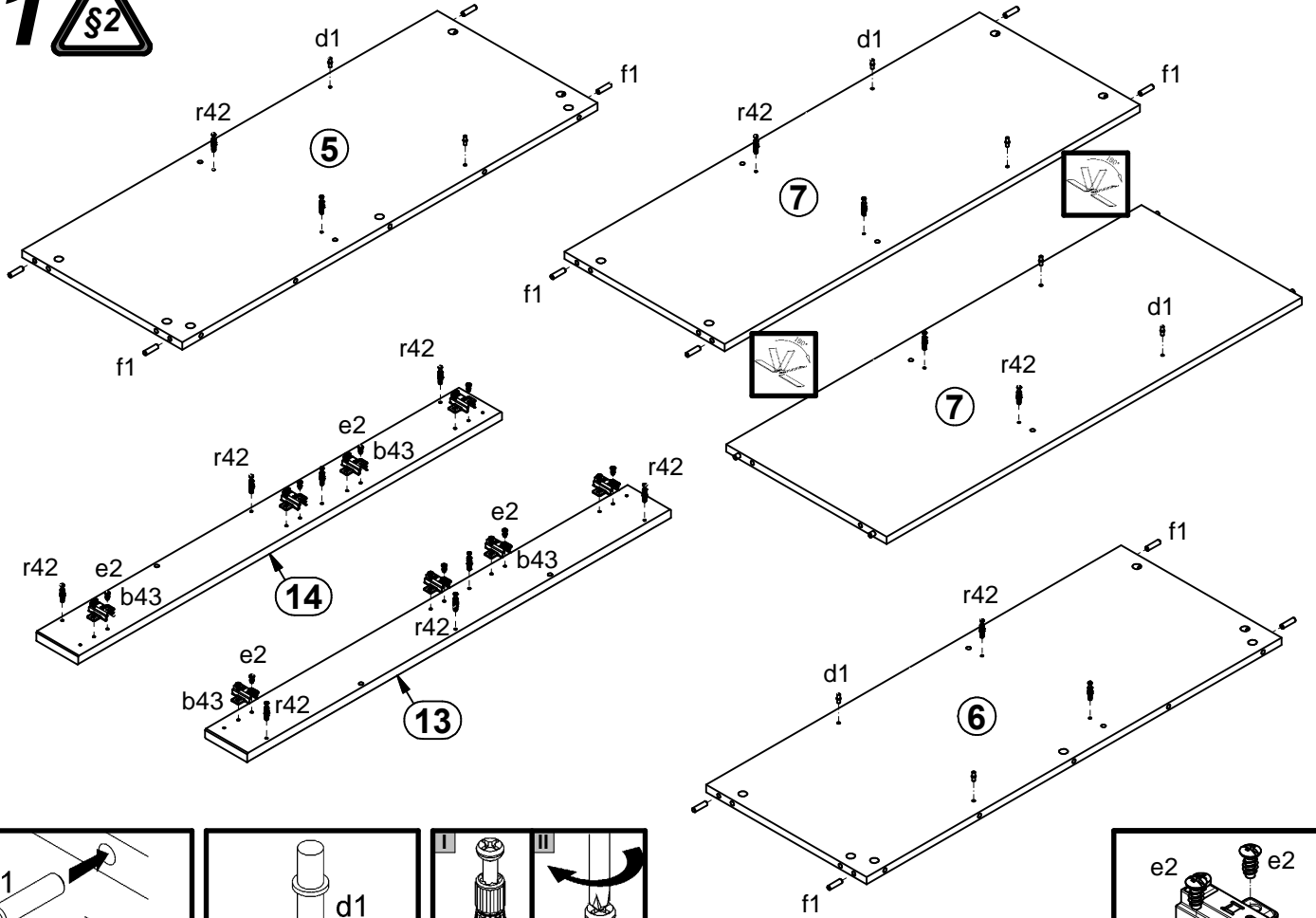


A	B	C	D	A	B	C	D		
1	S311-002	446	596	4/4	9	S311-205	1101	402	2/4
2	S311-003	446	596	4/4	10	S311-304	527	380	2/4
3	S311-004	446	396	4/4	11	S311-305	526	379	2/4
4	S311-005	446	396	4/4	12	S311-308	527	380	2/4
5	S311-106	984	380	1/4	13	S311-504	1004	100	3/4
6	S311-107	984	380	1/4	14	S311-505	1004	100	3/4
7	S311-108	984	380	1/4	15	S311-903	1011	547	2/4
8	S311-204	1101	402	2/4					

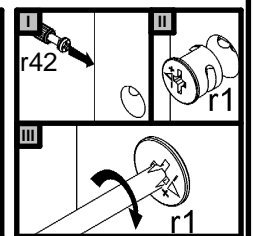
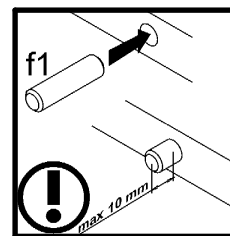
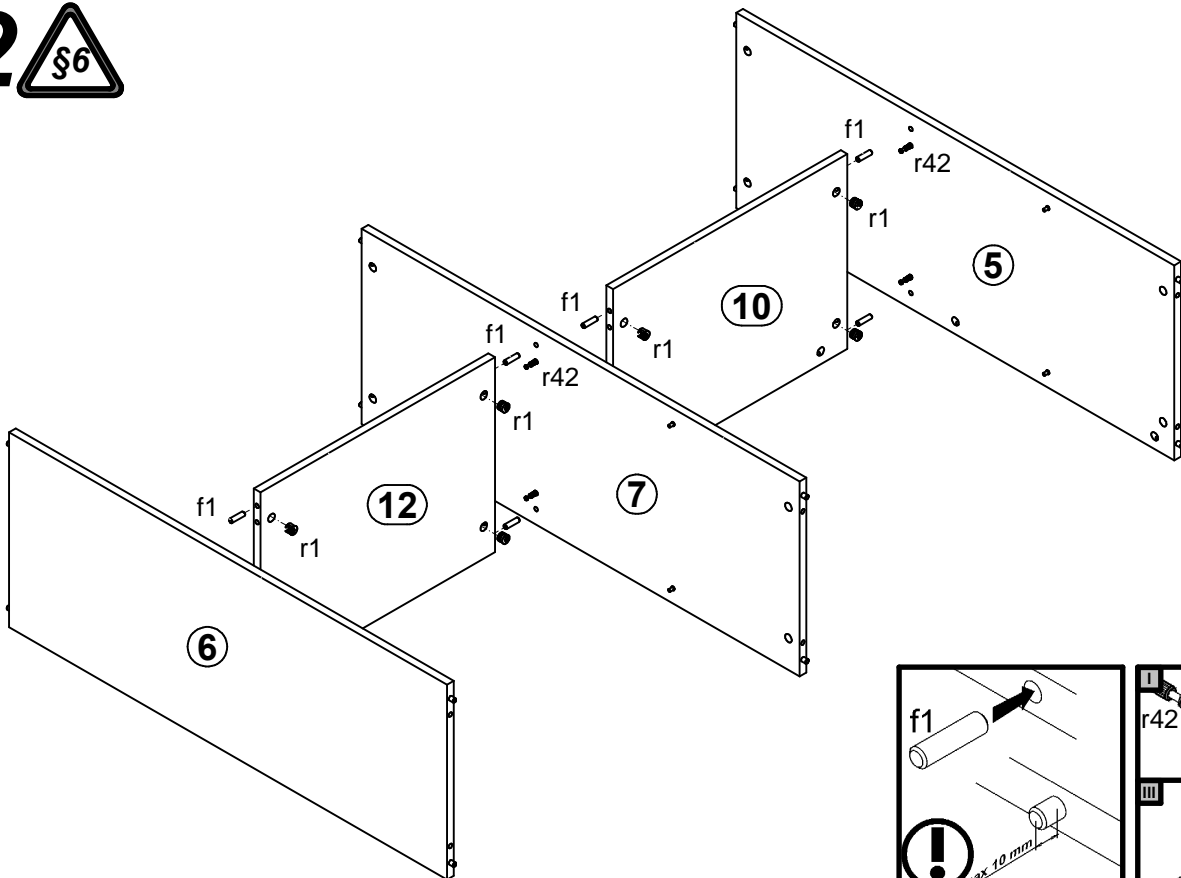


4x 128mm c392	8x a99	8x b43	8x Ø5x17 mm d1	16x Ø6.3x13 mm e2	10x Ø6x22 mm e31	8x Ø5x12 mm e41	24x Ø8x30 mm f1	5x k87
80x l1	4x 25x25x16/2 n110	16x Ø3.5x15 mm p51	8x Ø4x25 mm p87	28x Ø15x12 mm #16 r1	28x r42	18x Ø16 s2	1x n26/1	1x Ø3.5x16 mm p38

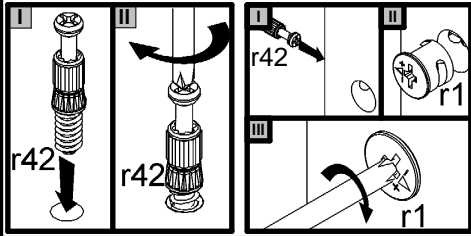
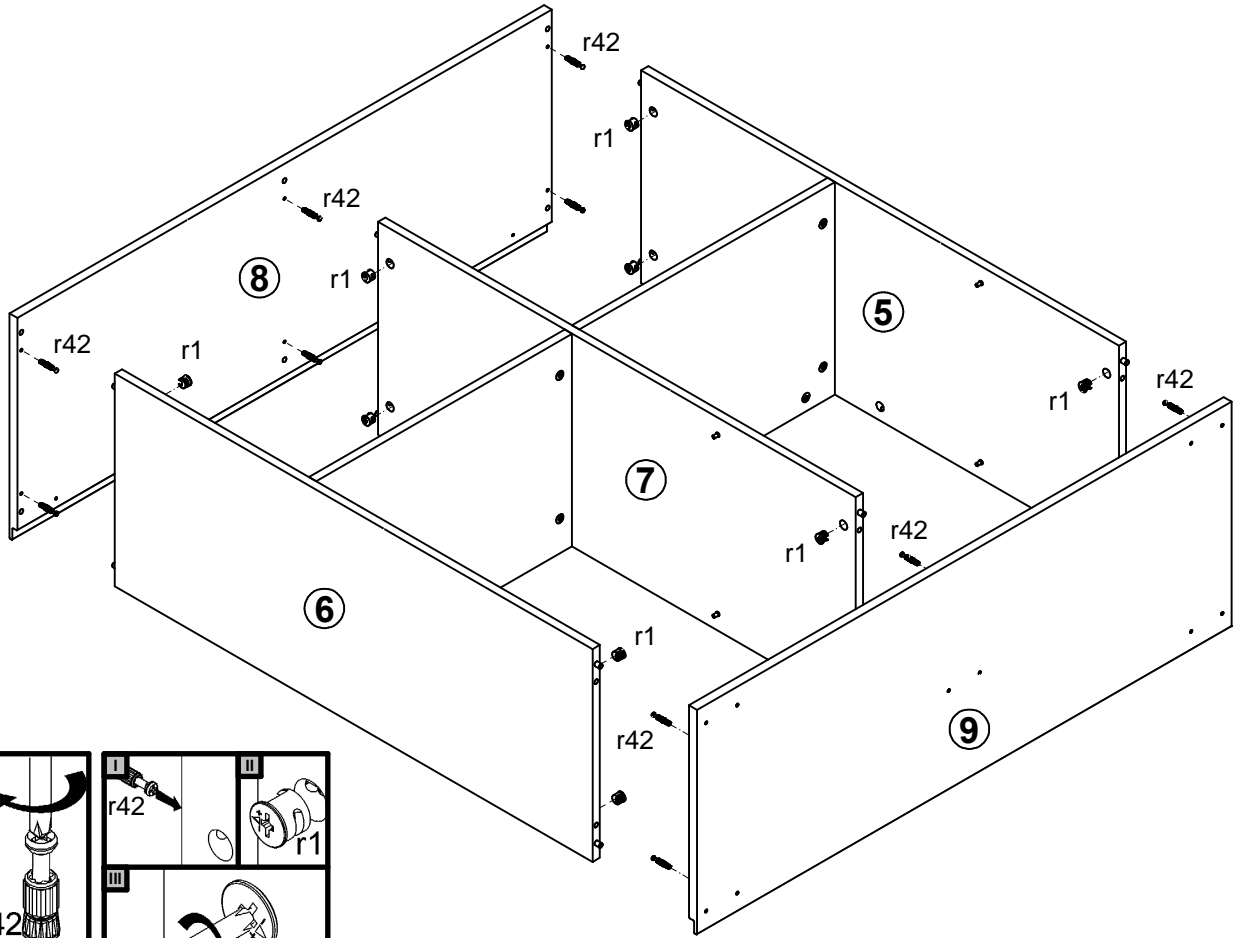
1



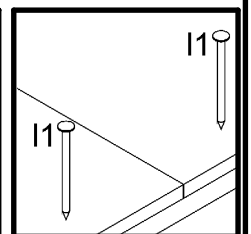
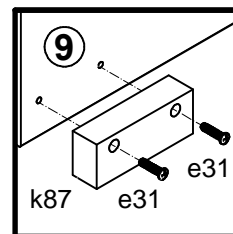
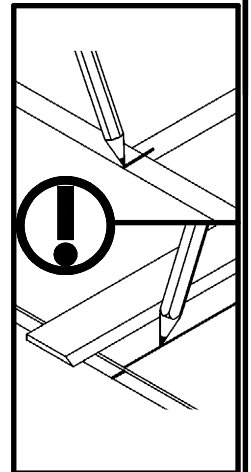
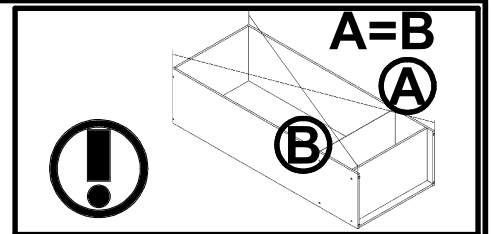
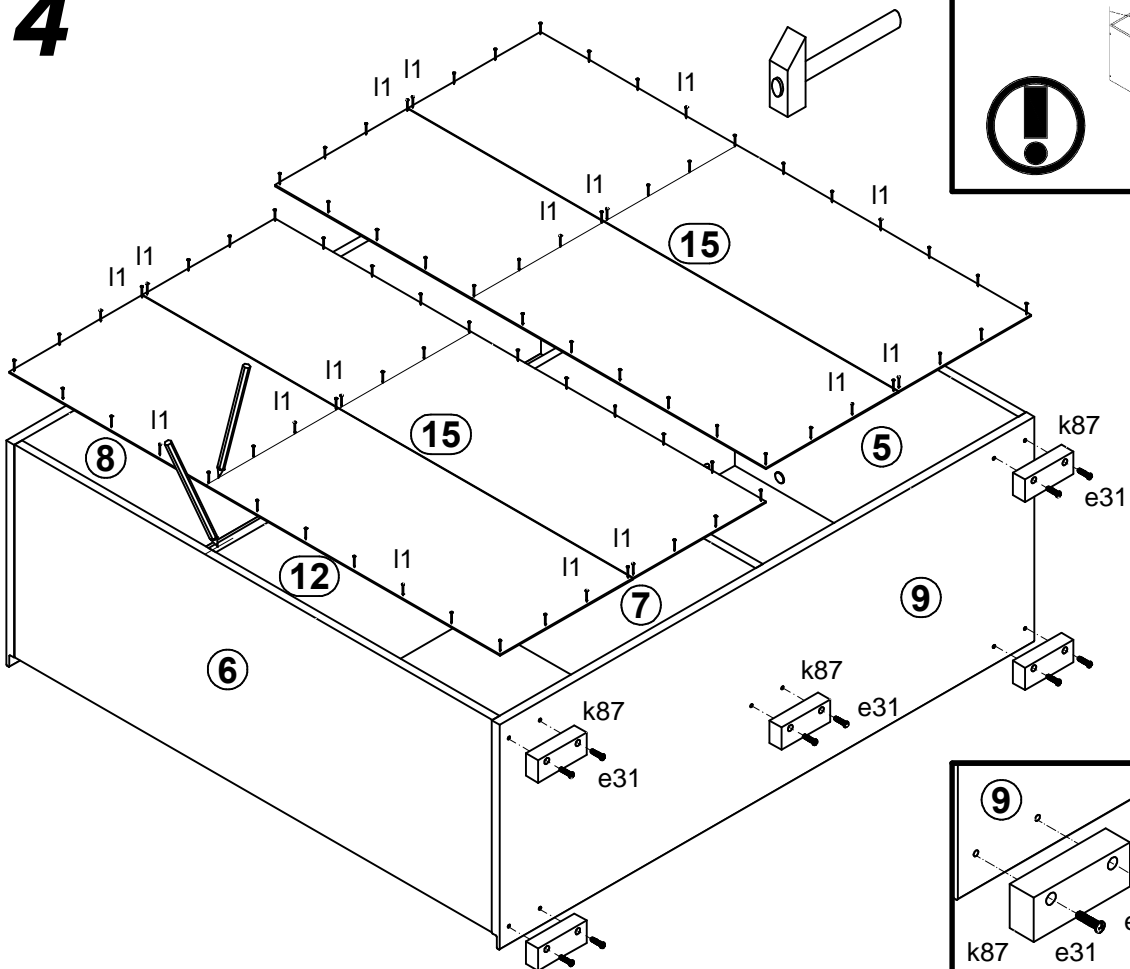
2



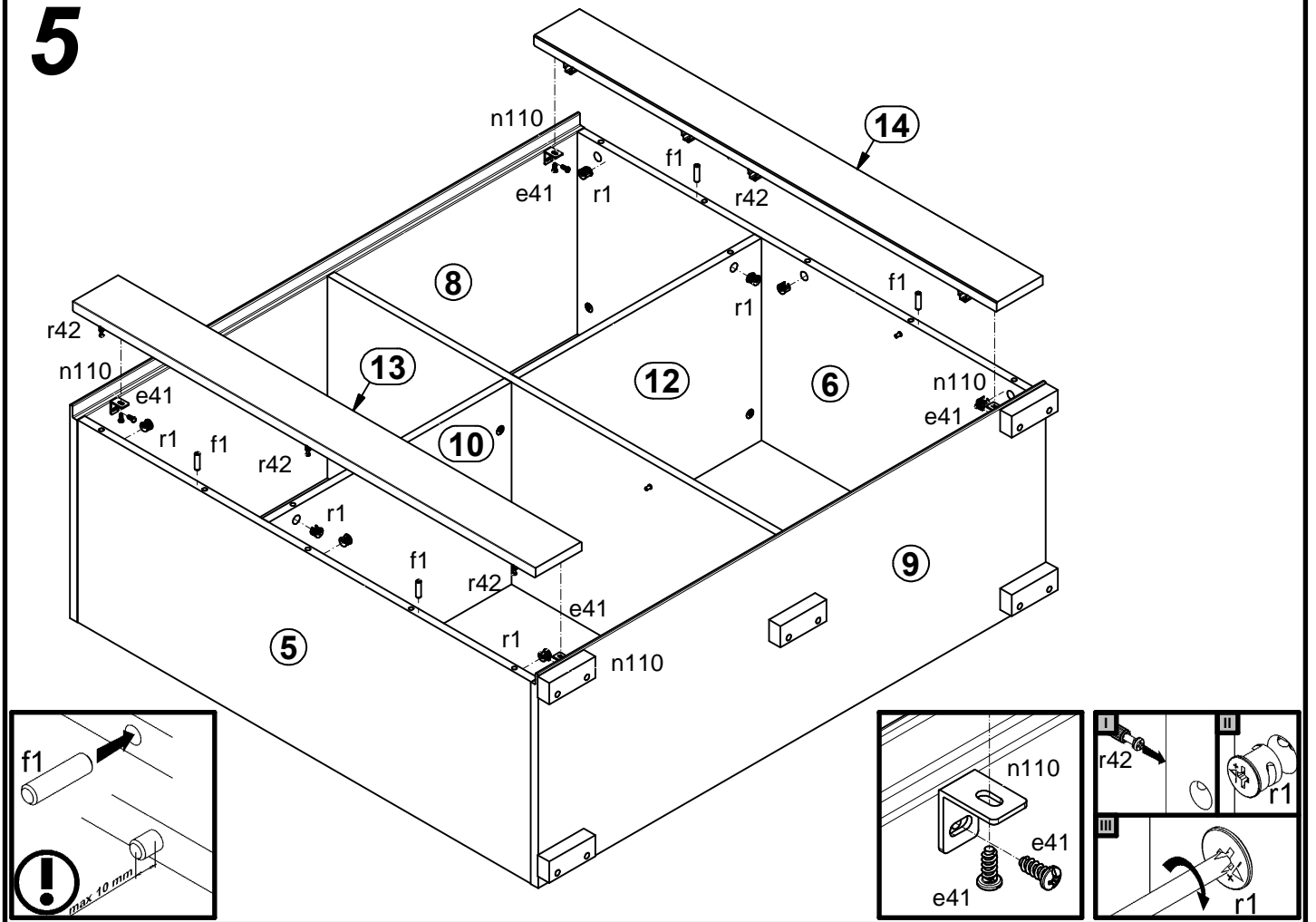
3



4



5



6

