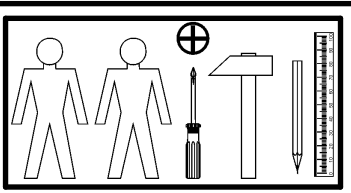
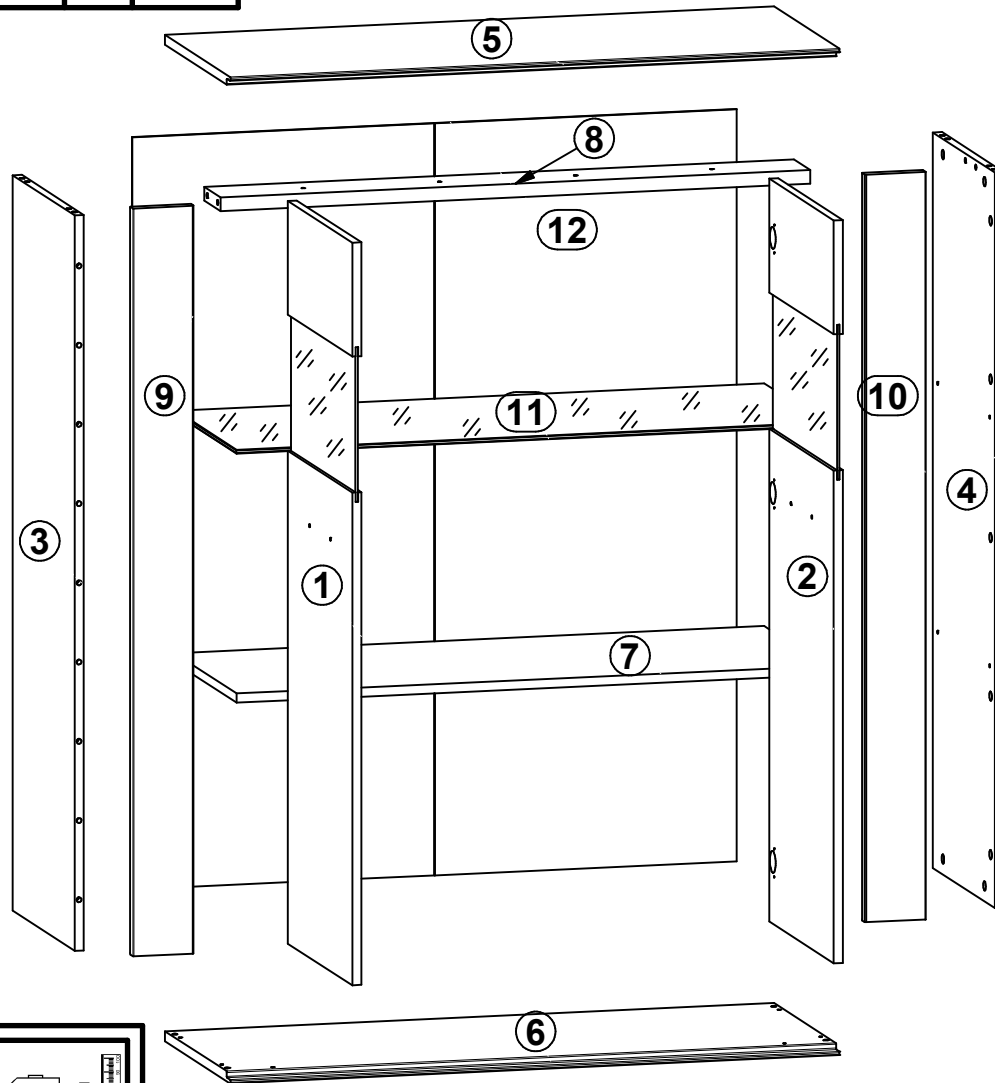
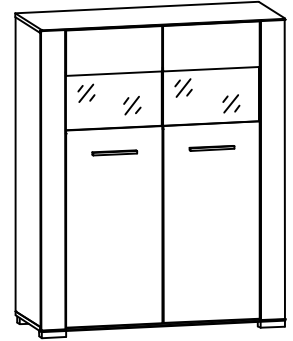
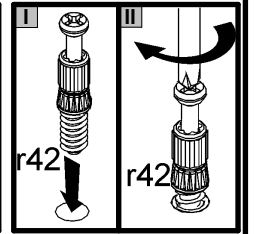
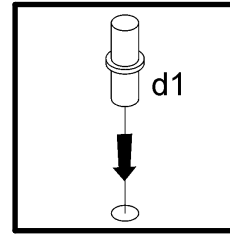
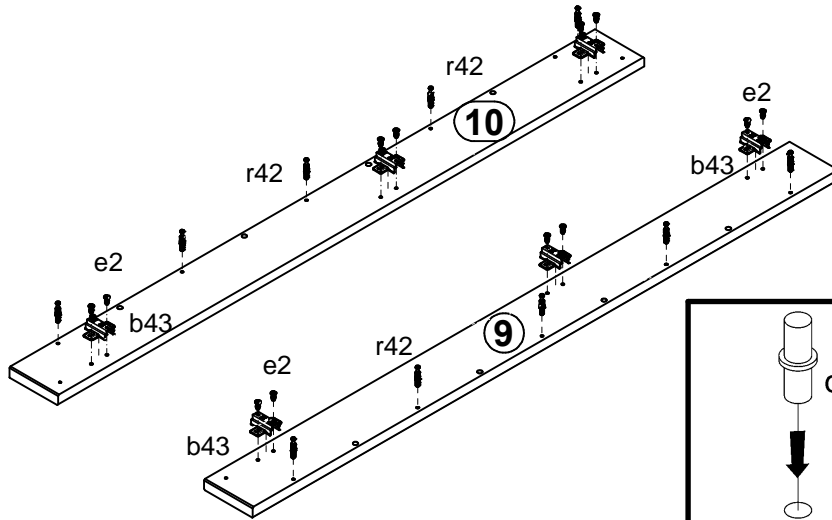
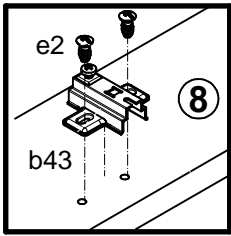
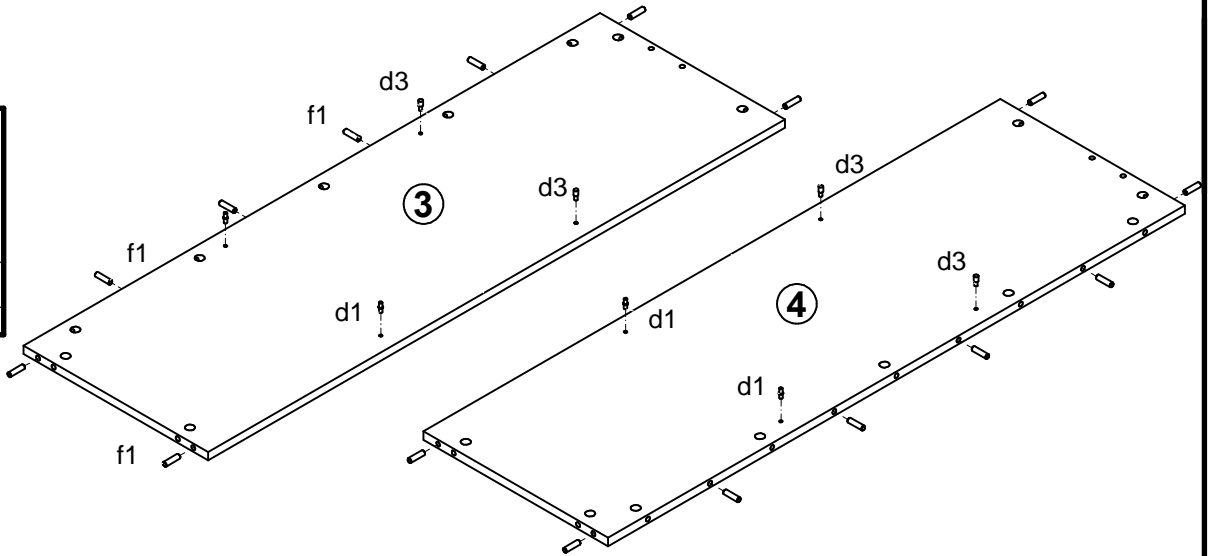
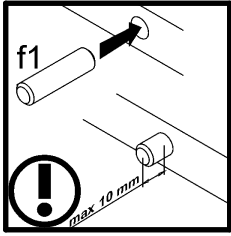


A	B	C	D
1	S311-010	396	1200
2	S311-011	396	1200
3	S311-122	1188	380
4	S311-123	1188	380
5	S311-214	1002	402
6	S311-215	1002	402
7	S311-312	969	379
8	S311-403	970	100
9	S311-516	1208	100
10	S311-517	1208	100
11	S311-554	969	374
12	S311-910	1215	994

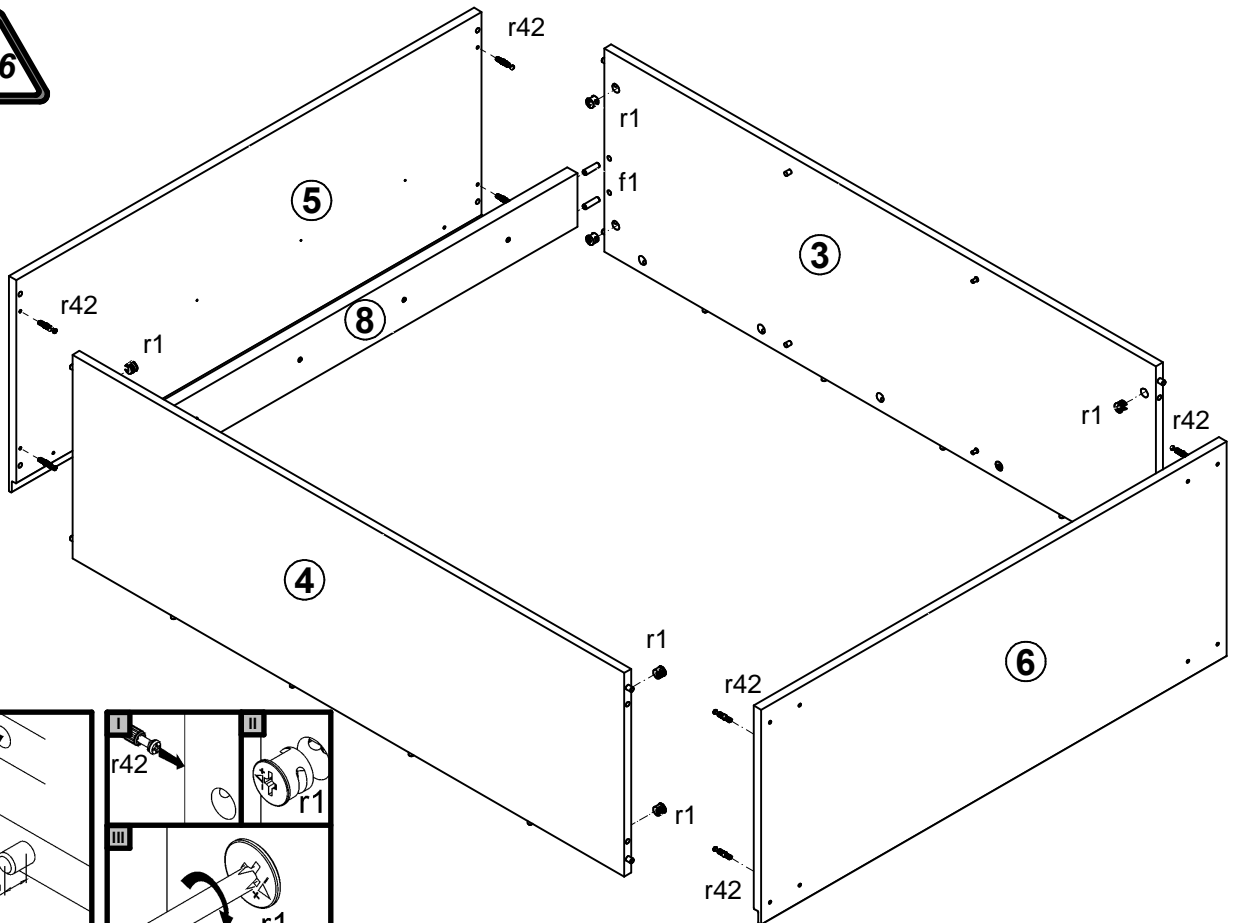
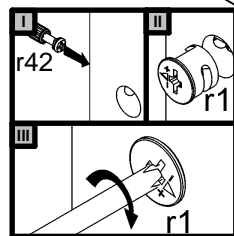
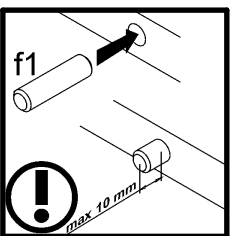


6x  a99	6x  b43	2x  128mm c392	4x  Ø5x17 mm d1	4x  Ø5x17 mm d3	12x  Ø6.3x13 mm e2	8x  Ø6x22 mm e31	8x  Ø5x12 mm e41	20x  Ø8x30 mm f1
4x  k87	45x  l1	4x  25x25x16x2 n110	12x  Ø3.5x15 mm p51	4x  Ø4x25 mm p87	18x  Ø15x12 mm #16 r1	18x  r42	1x  Ø3.5x16 mm p38	1x  n2611
18x  Ø16 s2	4x  Ø4x35 mm p6							

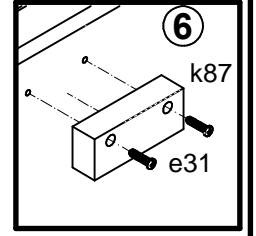
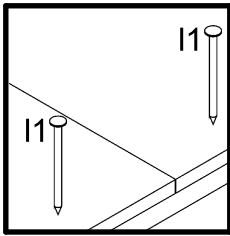
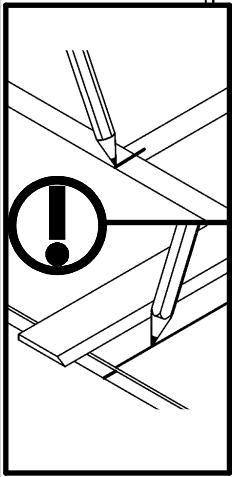
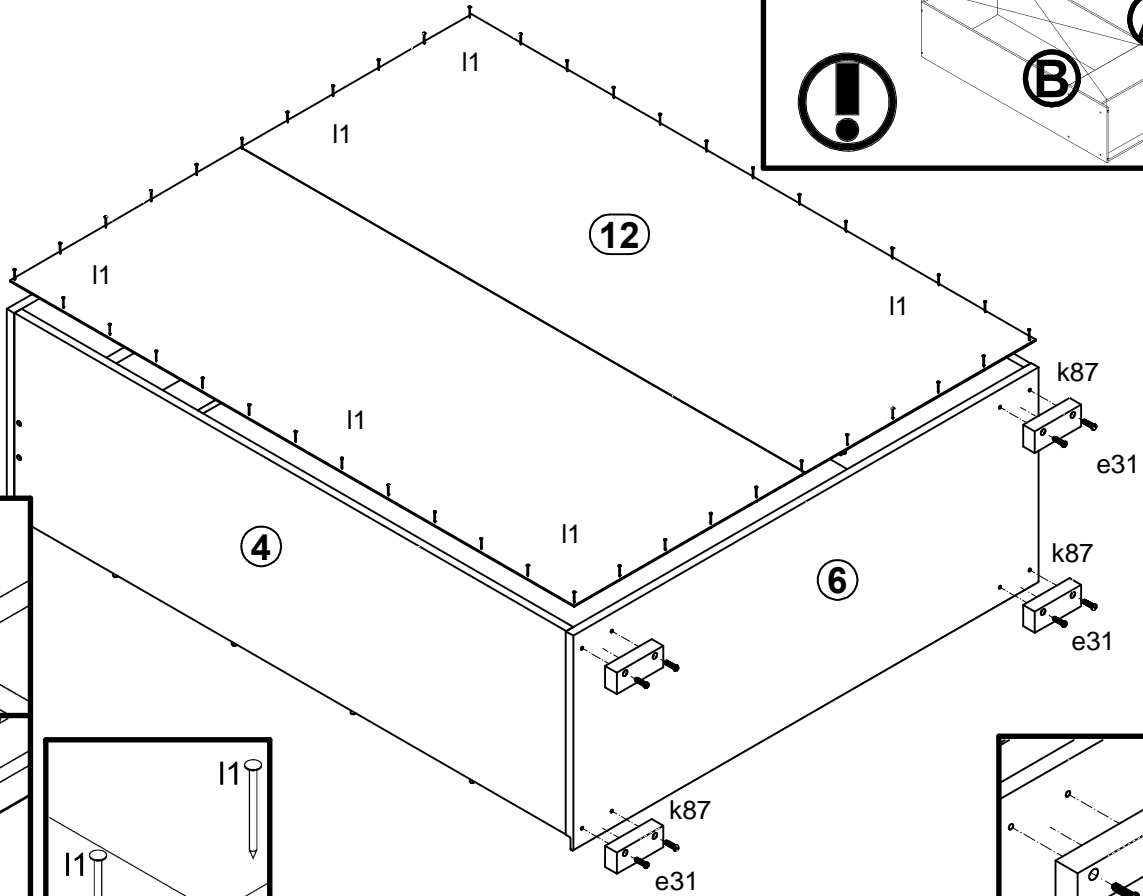
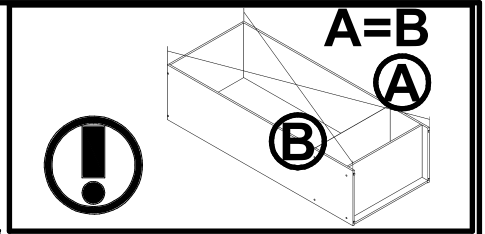
# 1



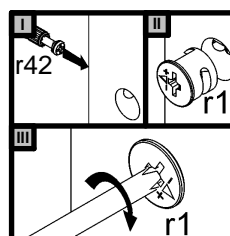
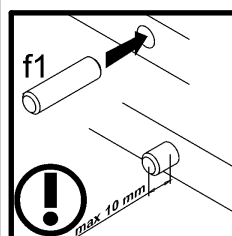
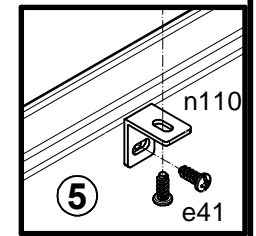
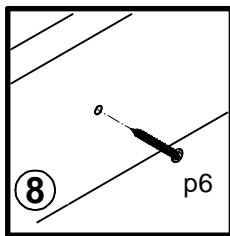
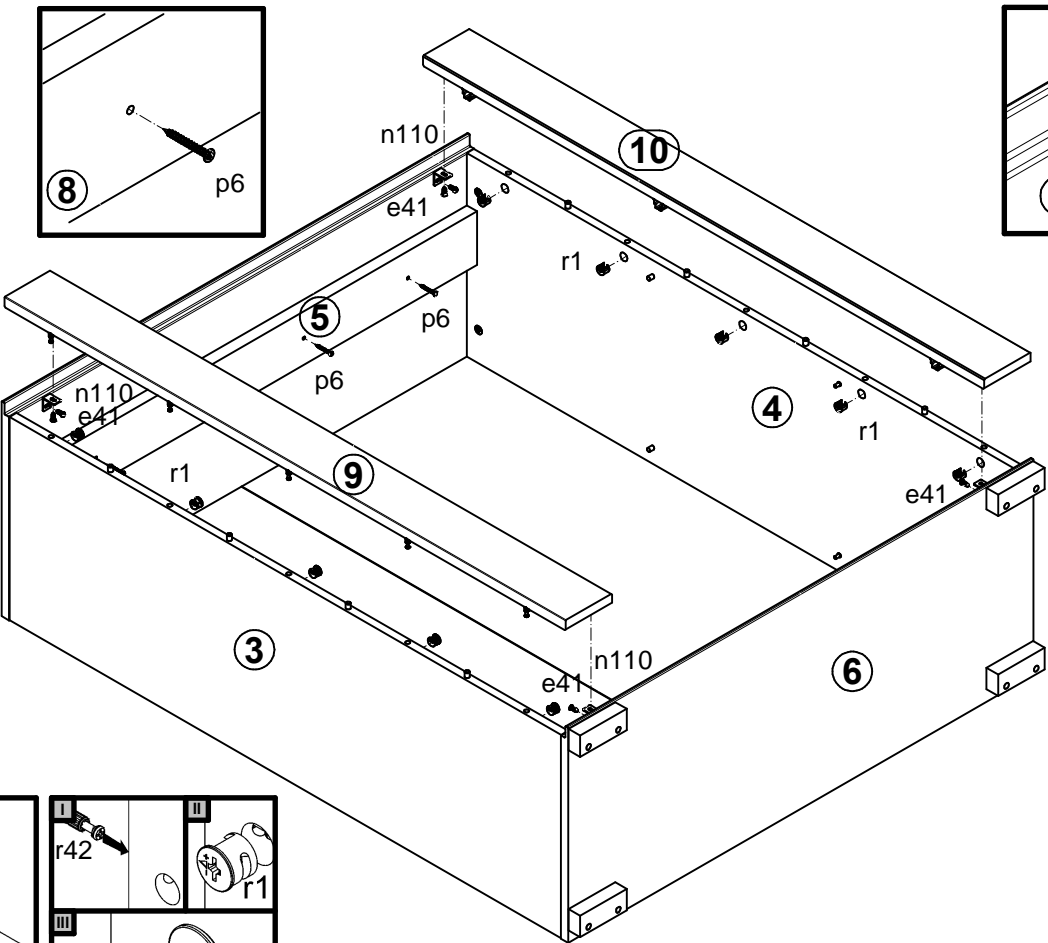
# 2



# 3



# 4



# 5

