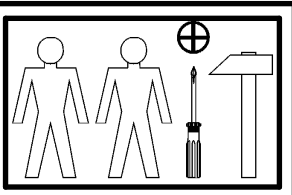
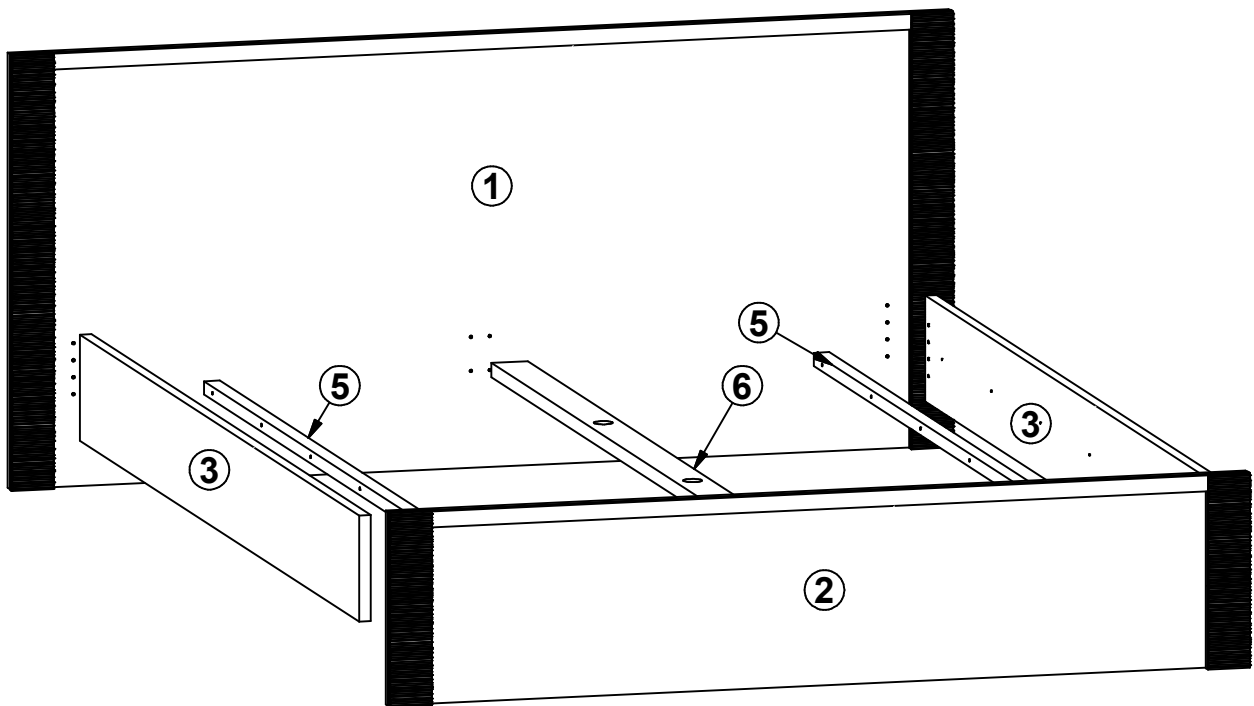
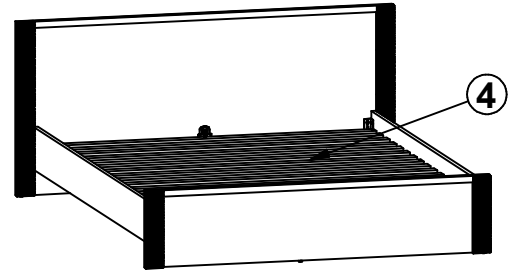


S126-RAFLO

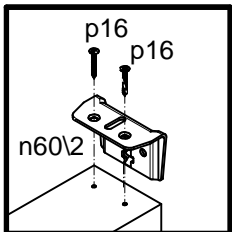
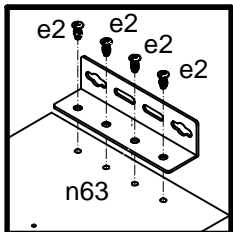
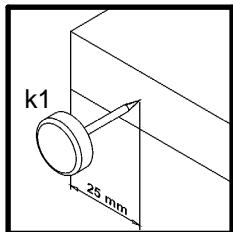
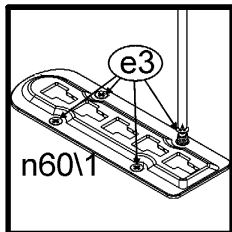
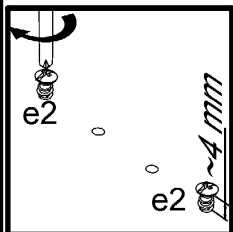
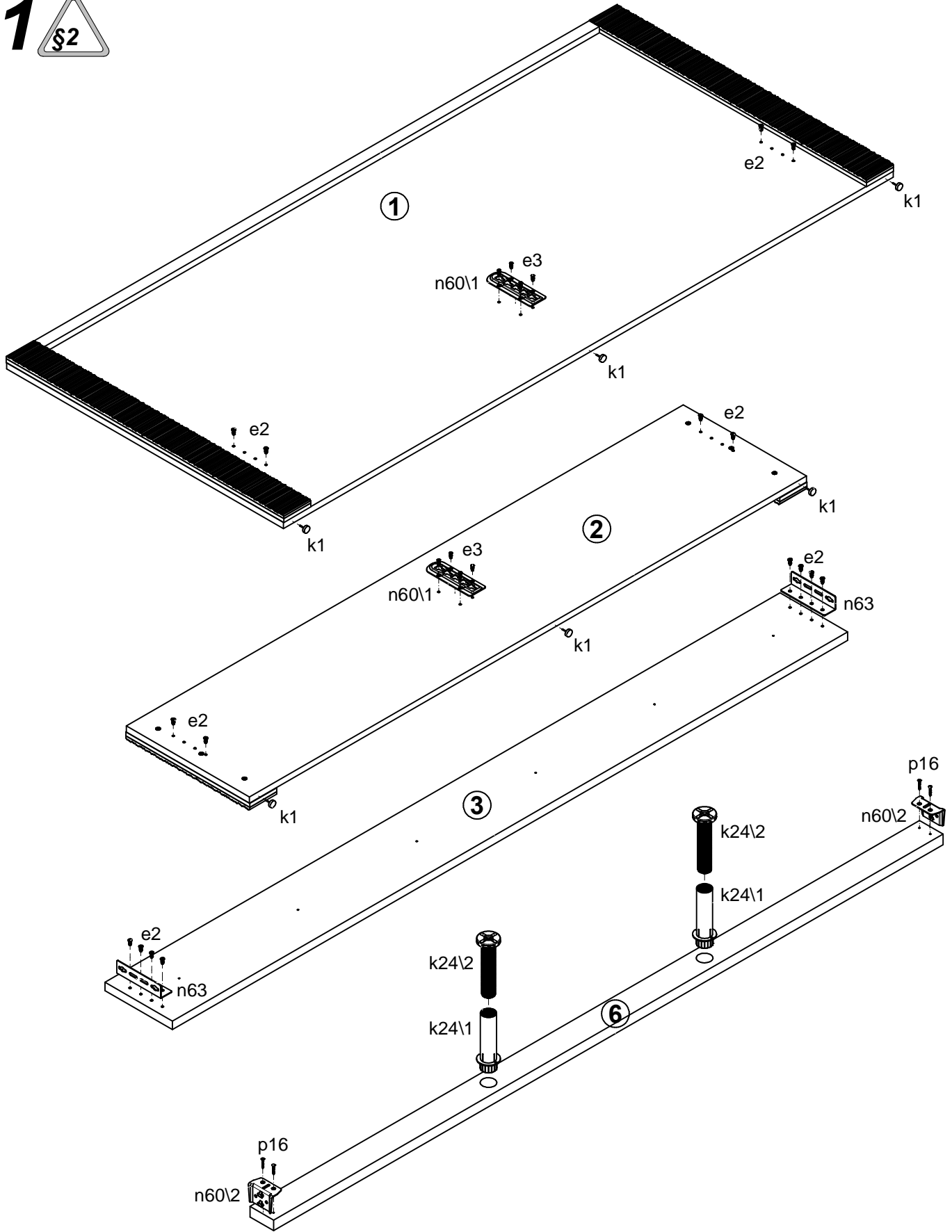
S126-LOZ/160

A	B	C		D
1	S126-009	1806	822	2/3
2	S126-010	1650	367	3/3
3	S126-124	2000	200	1/3
4	ZZ1-501	1872	1578	1/1
5	ZZ1-720	1880	25	1/3
6	ZZ1-726	1983	70	1/3

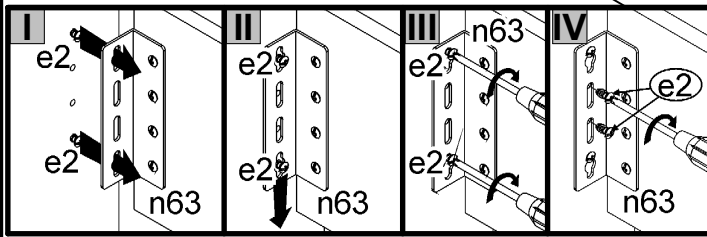
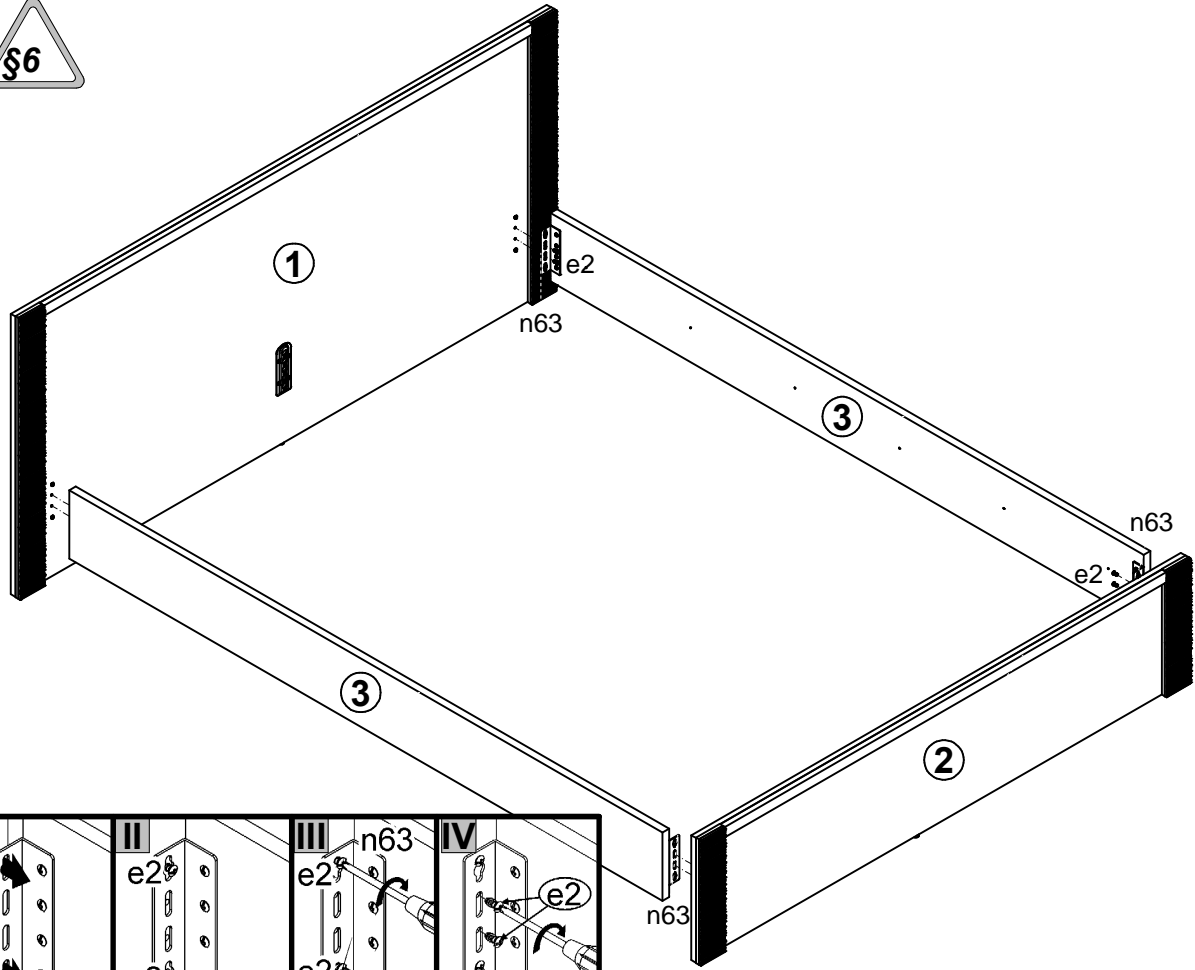


32x φ6,3x13 mm e2	8x φ6x13 mm e3	6x k1	2x k24\1	2x k24\2	2x n60\1	2x n60\2	4x 130x34x34x2mm n63	12x φ4x45 mm p11
4x φ3,5x25 mm p16	6x φ4x35 mm p6							

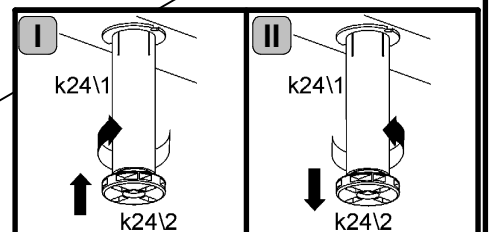
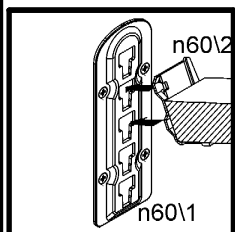
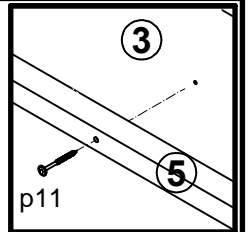
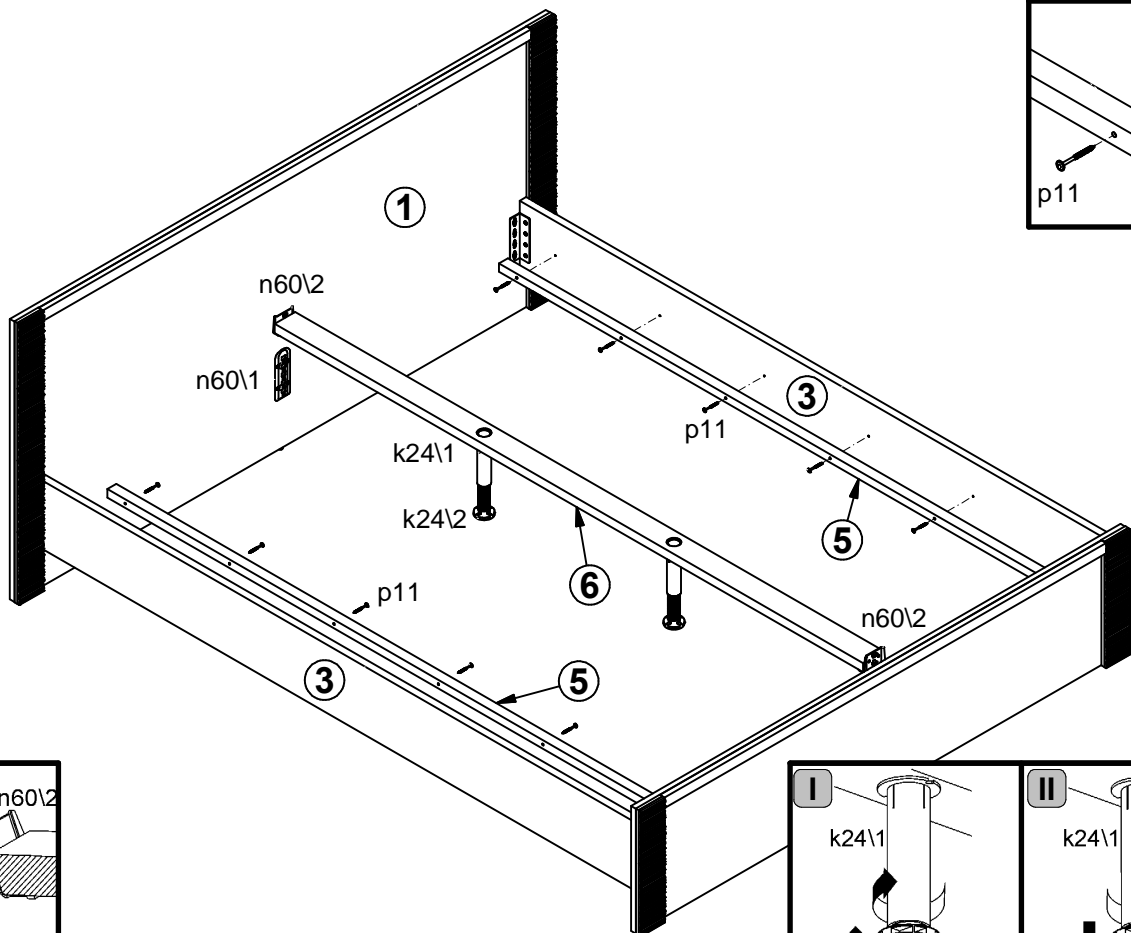
1 



2



3



4

