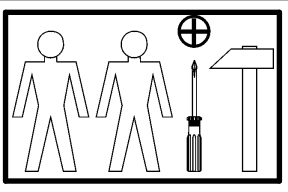
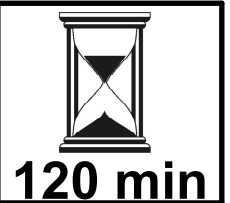
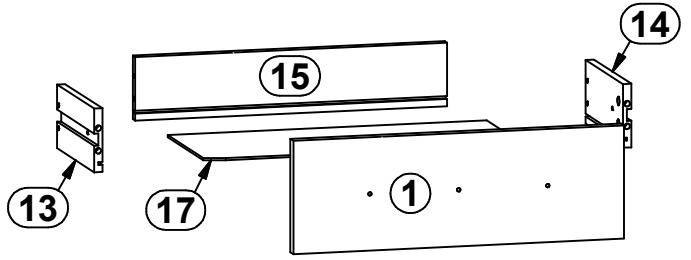
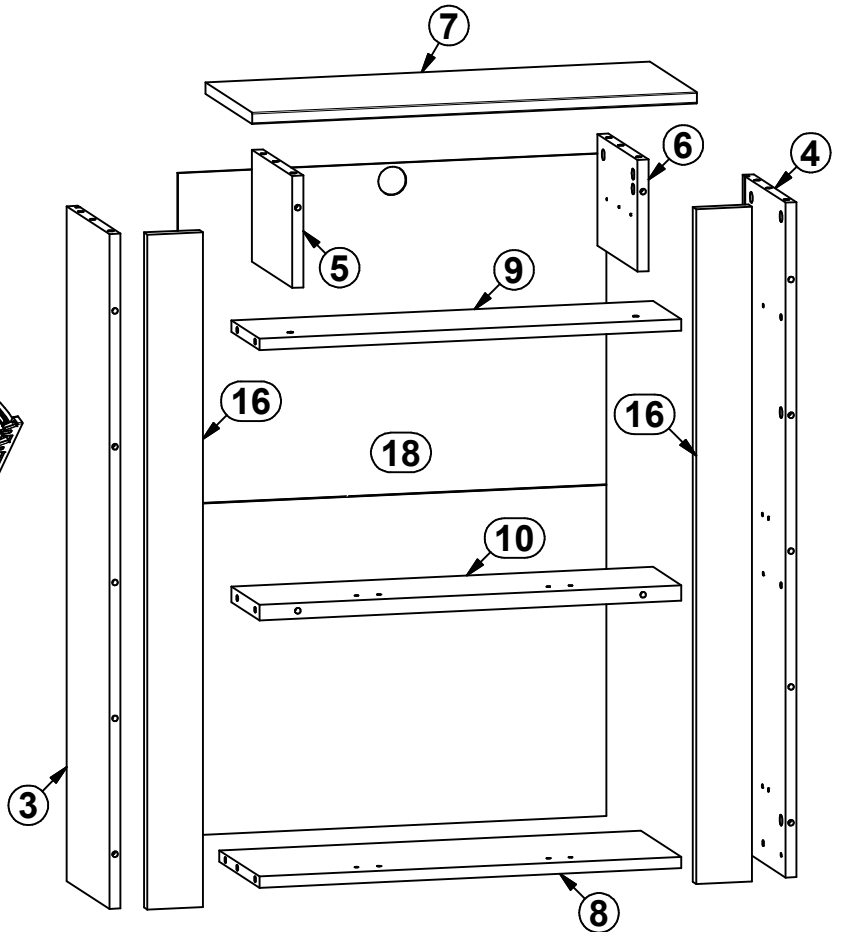
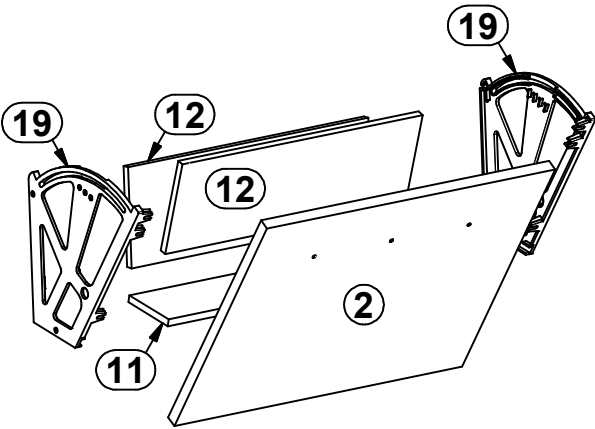
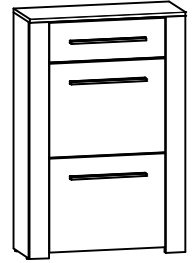


# RAFLO

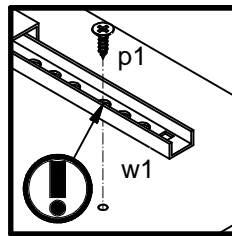
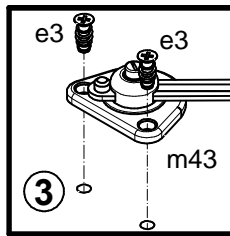
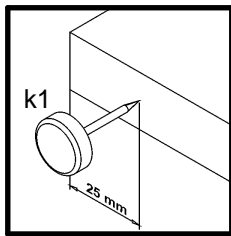
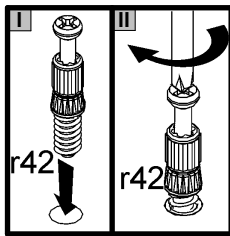
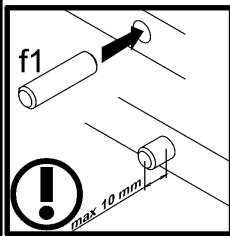
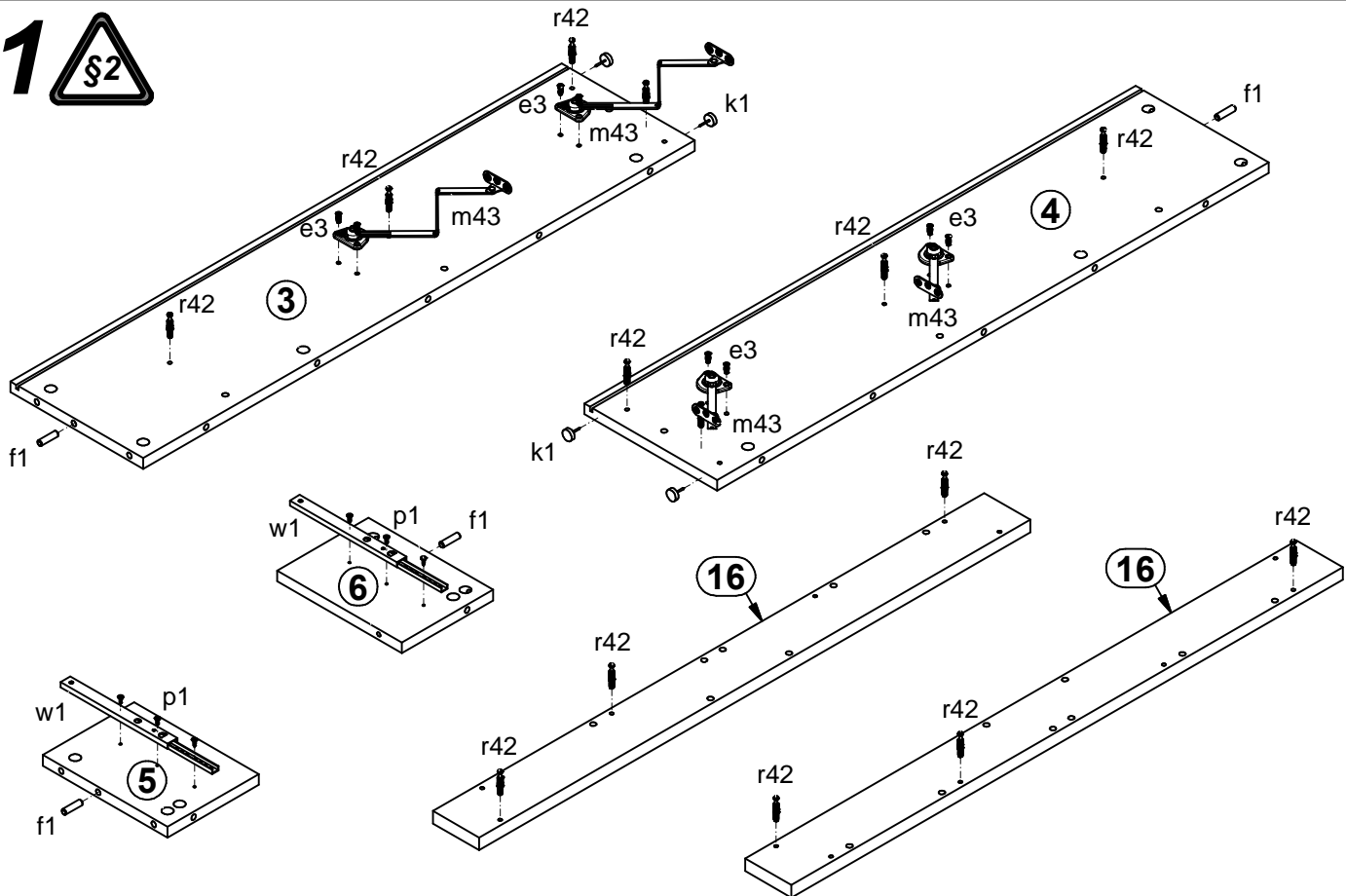
# M108-KOM2K1S/11/6

A	B	C	D	A	B	C	D		
1	M108-002	476	160	2/2	11	M108-451	397	88	1/2
2	M108-003	476	380	2/2	12	M108-452	397	138	1/2
3	M108-103	954	230	1/2	13	M108-501	200	90	1/2
4	M108-104	954	230	1/2	14	M108-502	200	90	1/2
5	M108-105	158	216	1/2	15	M108-503	449	90	1/2
6	M108-106	158	216	1/2	16	M108-554	954	80	1/2
7	M108-202	640	252	1/2	17	M108-901	459	198	1/2
8	M108-304	607	216	1/2	18	M108-9902	617	937	2/2
9	M108-404	607	152	1/2	19	qa68			1/2
10	M108-406	607	152	1/2					

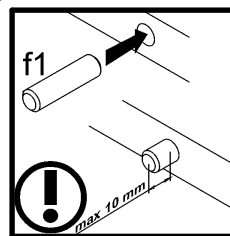
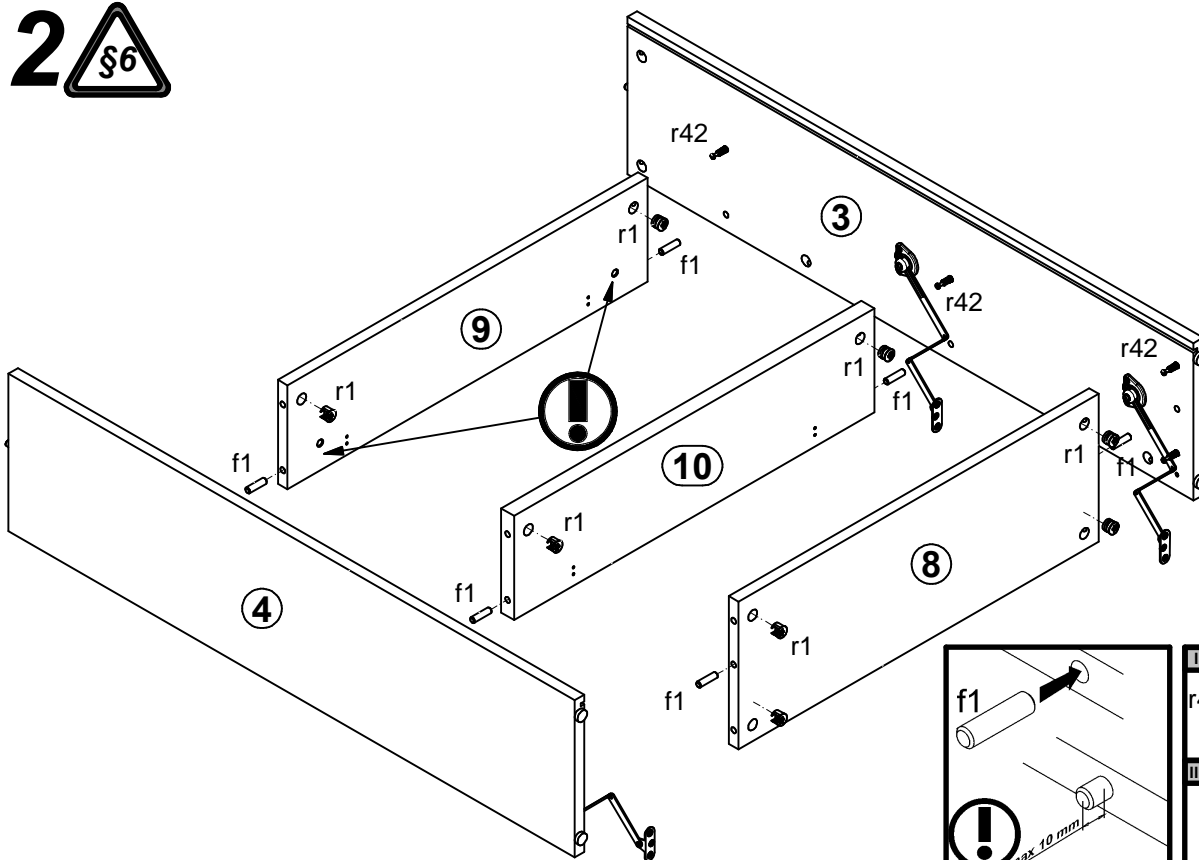


4x  a2	4x  b1	3x  c253/L	2x  e1 φ7x50 mm	8x  e3 φ6x13 mm	18x  f1 φ8x30 mm	4x  f25 φ6.5x40 mm	1x  f35 φ10x50 mm	2x  j2 M4x9 mm
4x  k1	10x  l1	8x  l2	2x  m30/L	2x  m30/P	4x  m32	4x  m34	4x  m43	1x  n14 81x21x15/1.5mm
2x  o21 silikon	26x  p1 φ3.5x13 mm	12x  p15 φ2.5x13 mm	1x  p17 φ5x60 mm	2x  p27 φ3.5x13 mm	12x  p38 φ3.5x16 mm	9x  p9 φ4x30 mm	22x  r1 φ1.5x12mm #16	4x  r15 φ12x10.5mm #12
26x  r42	2x  s2 ø16	2x  w1 185 mm	1x  z1					

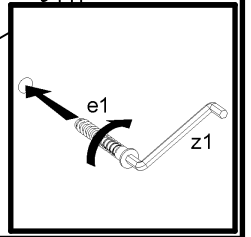
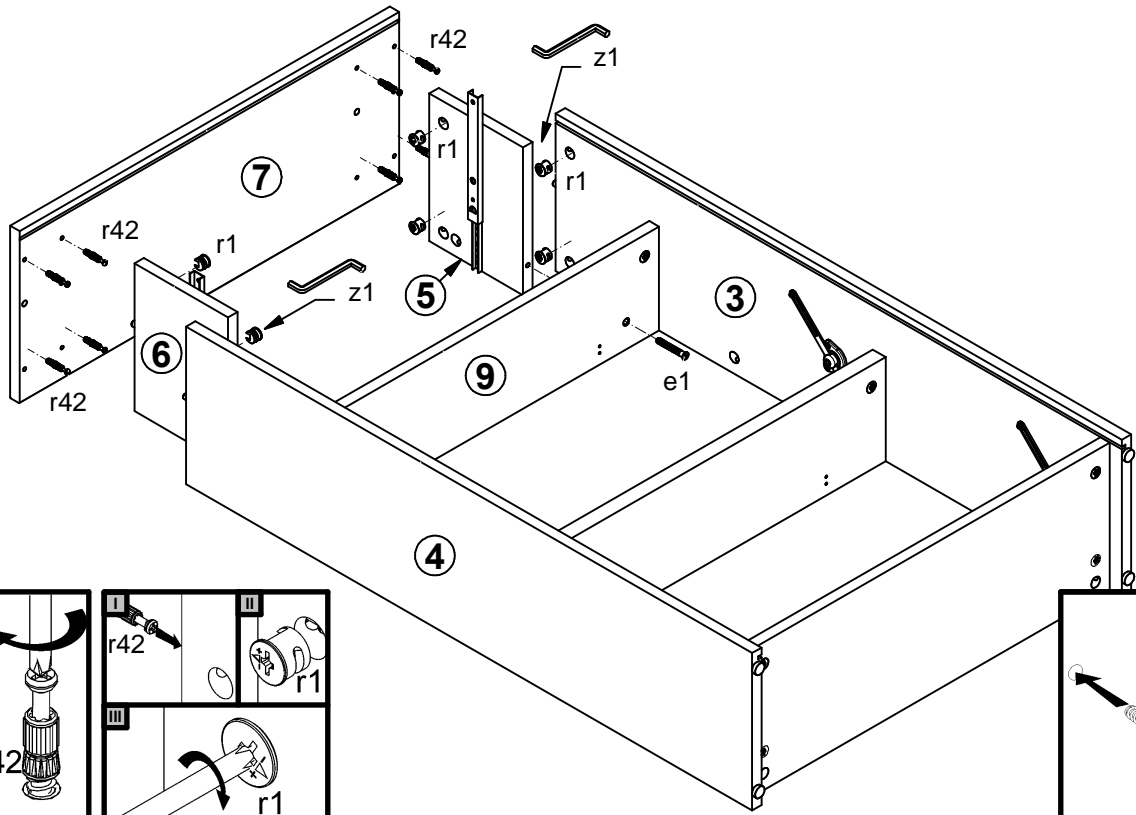
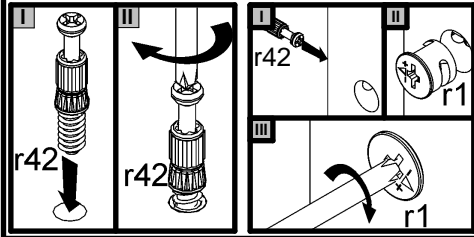
# 1



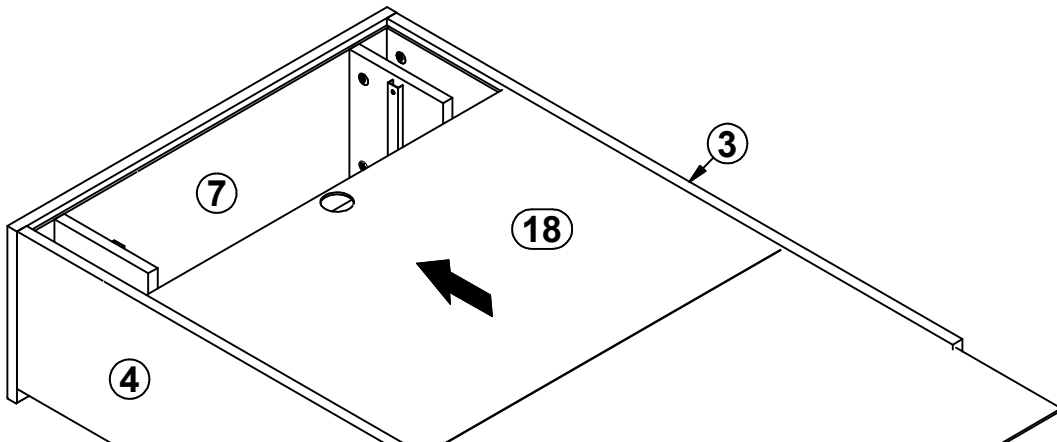
# 2



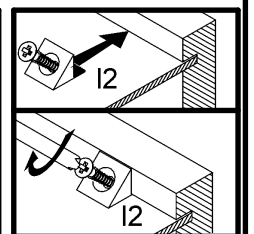
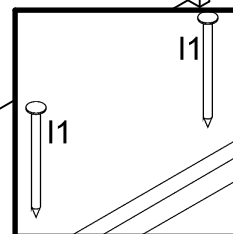
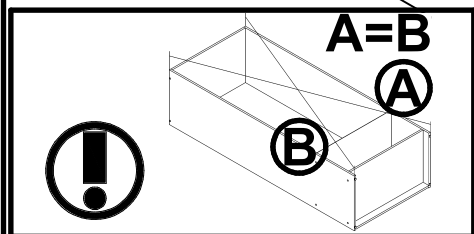
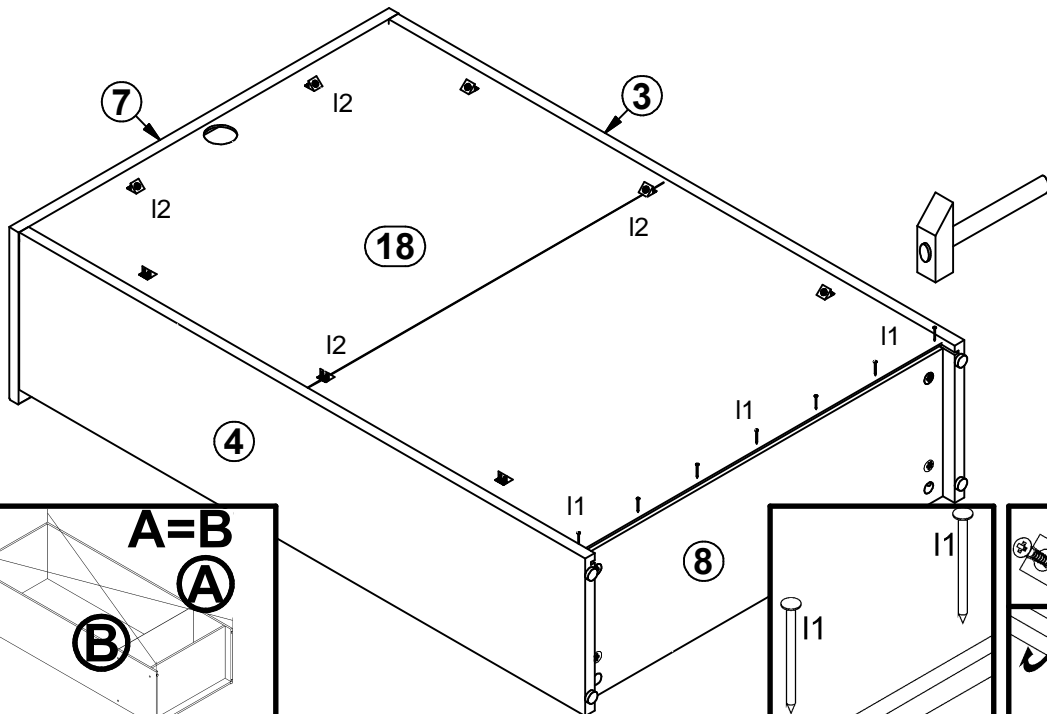
# 3



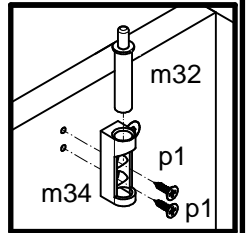
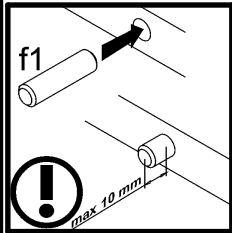
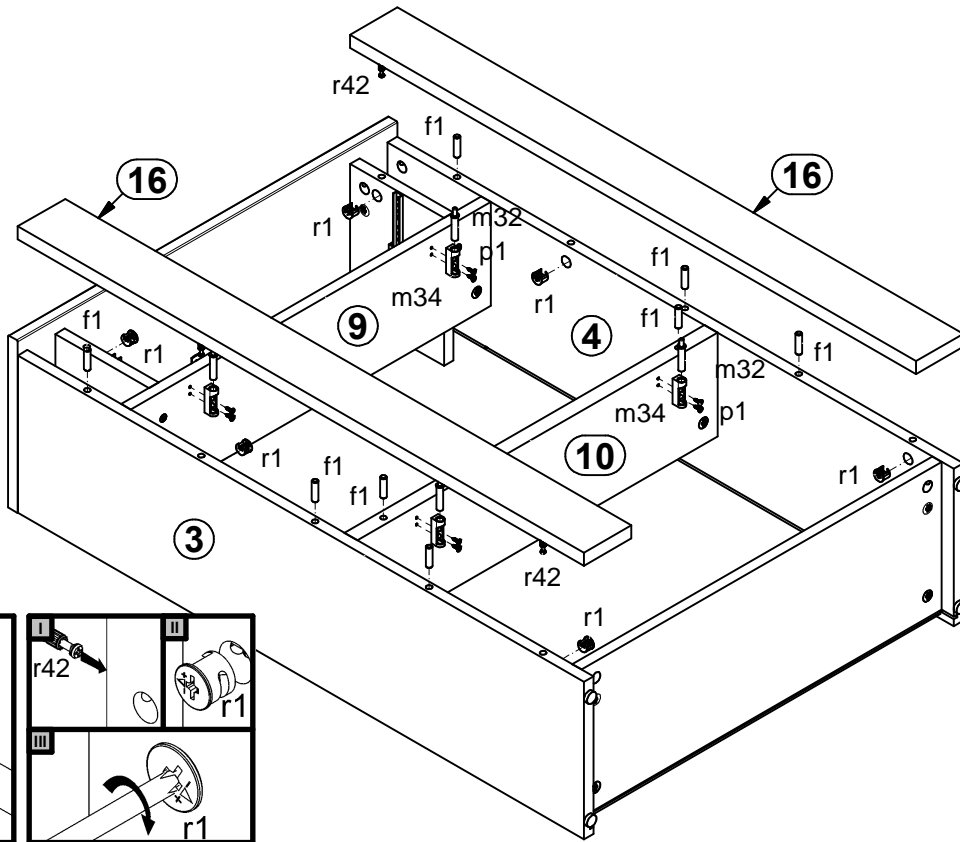
# 4



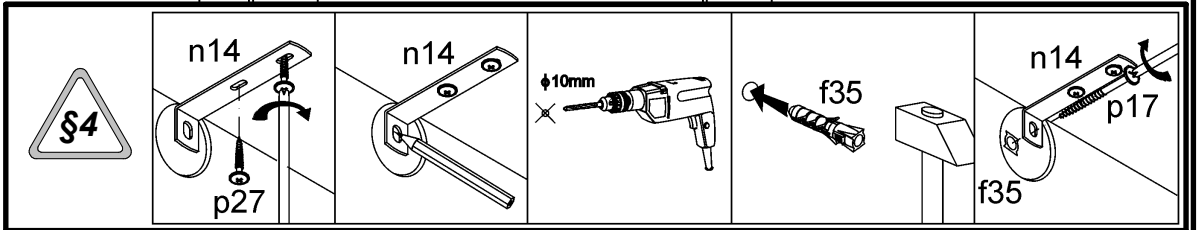
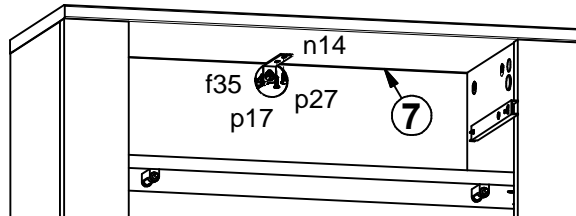
# 5



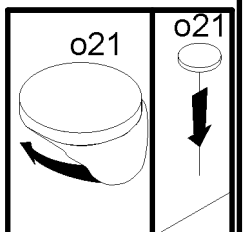
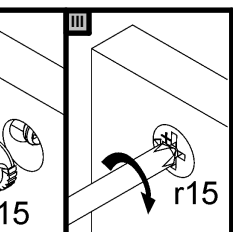
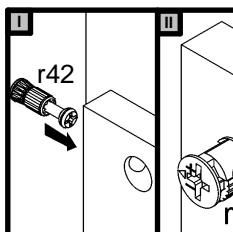
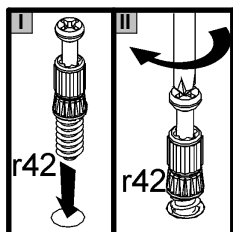
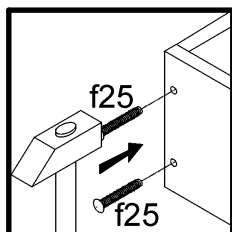
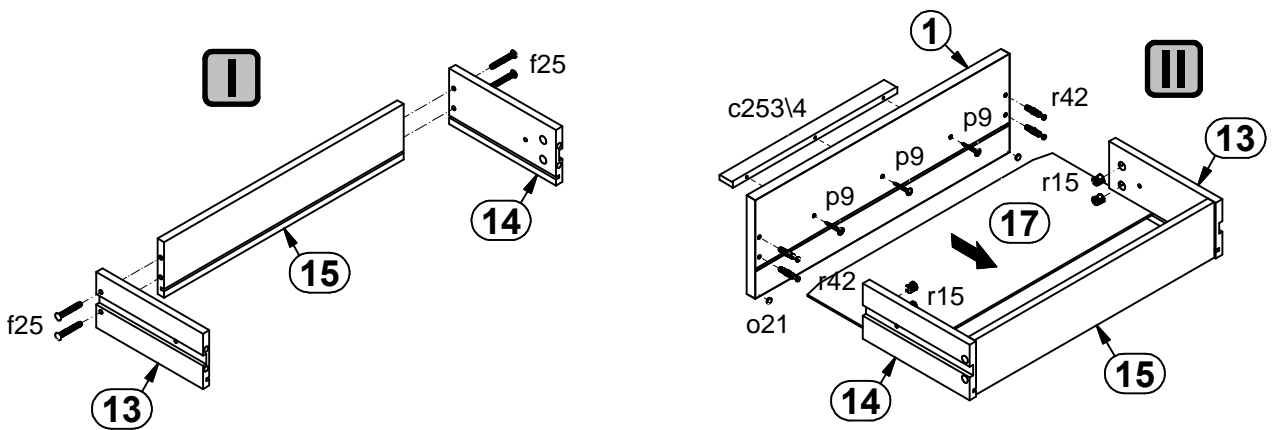
# 6



# 7

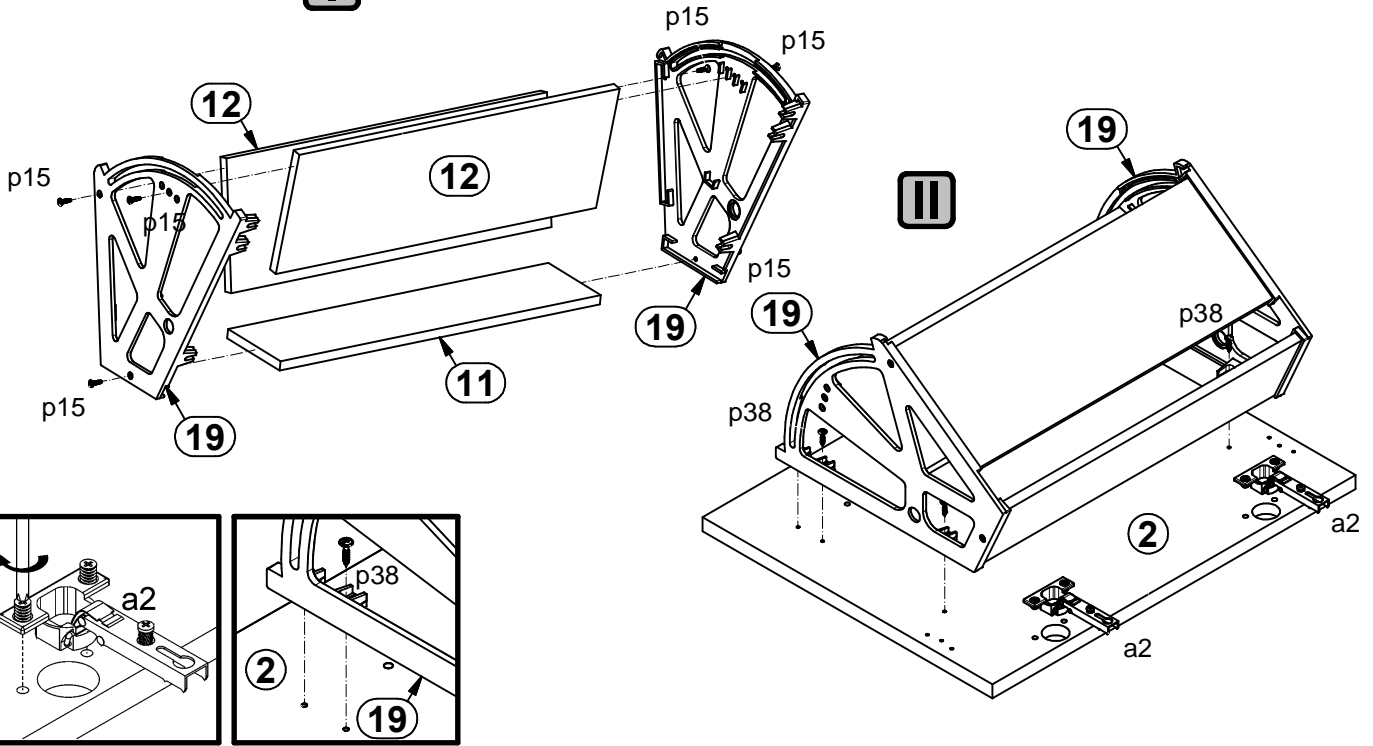


# 8

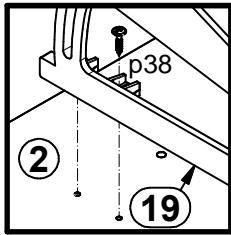
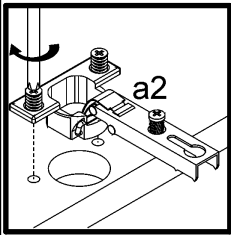


# 9

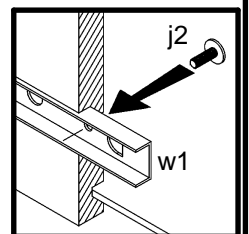
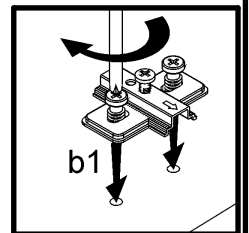
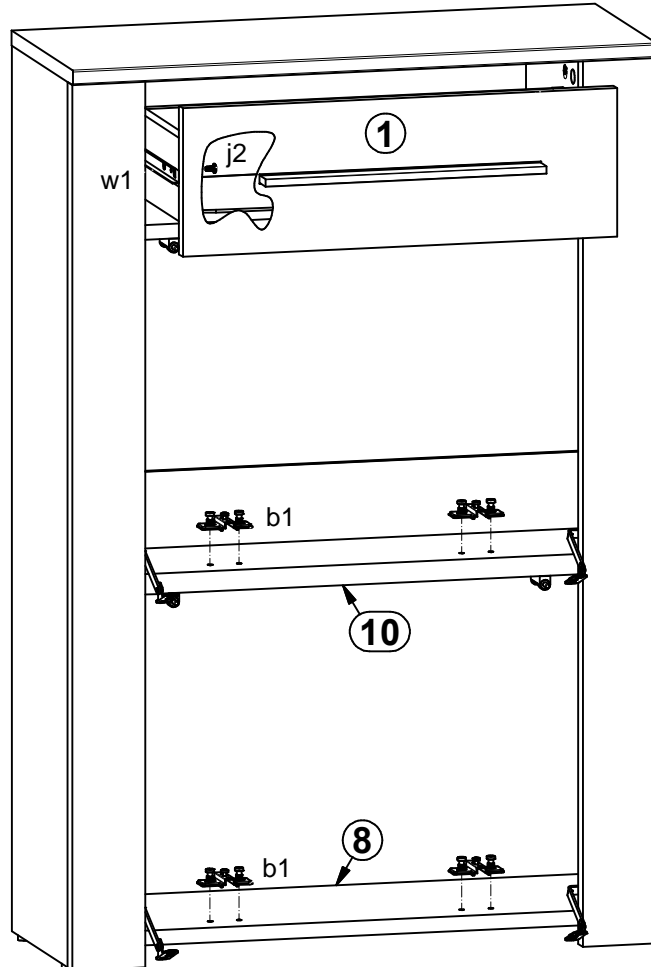
## I



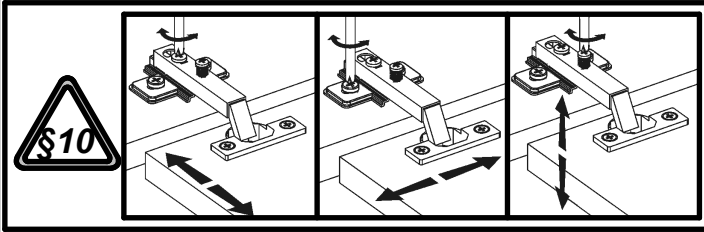
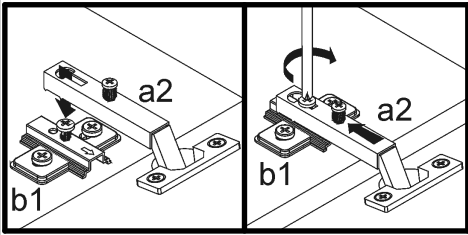
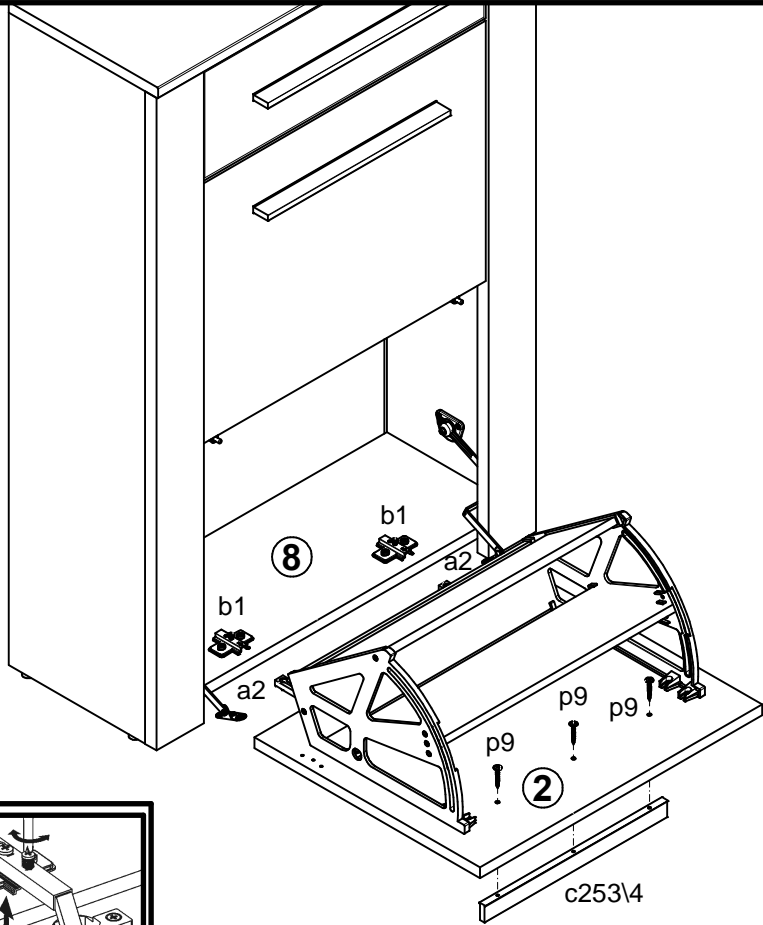
## II



# 10



# 10



# 11

