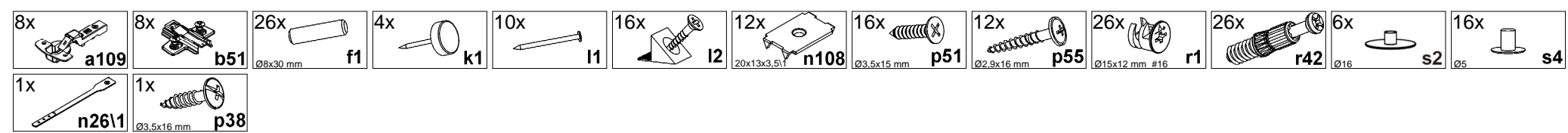
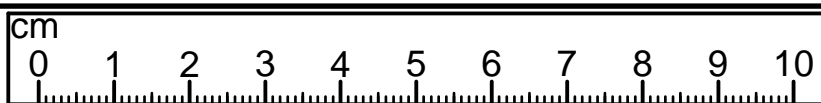
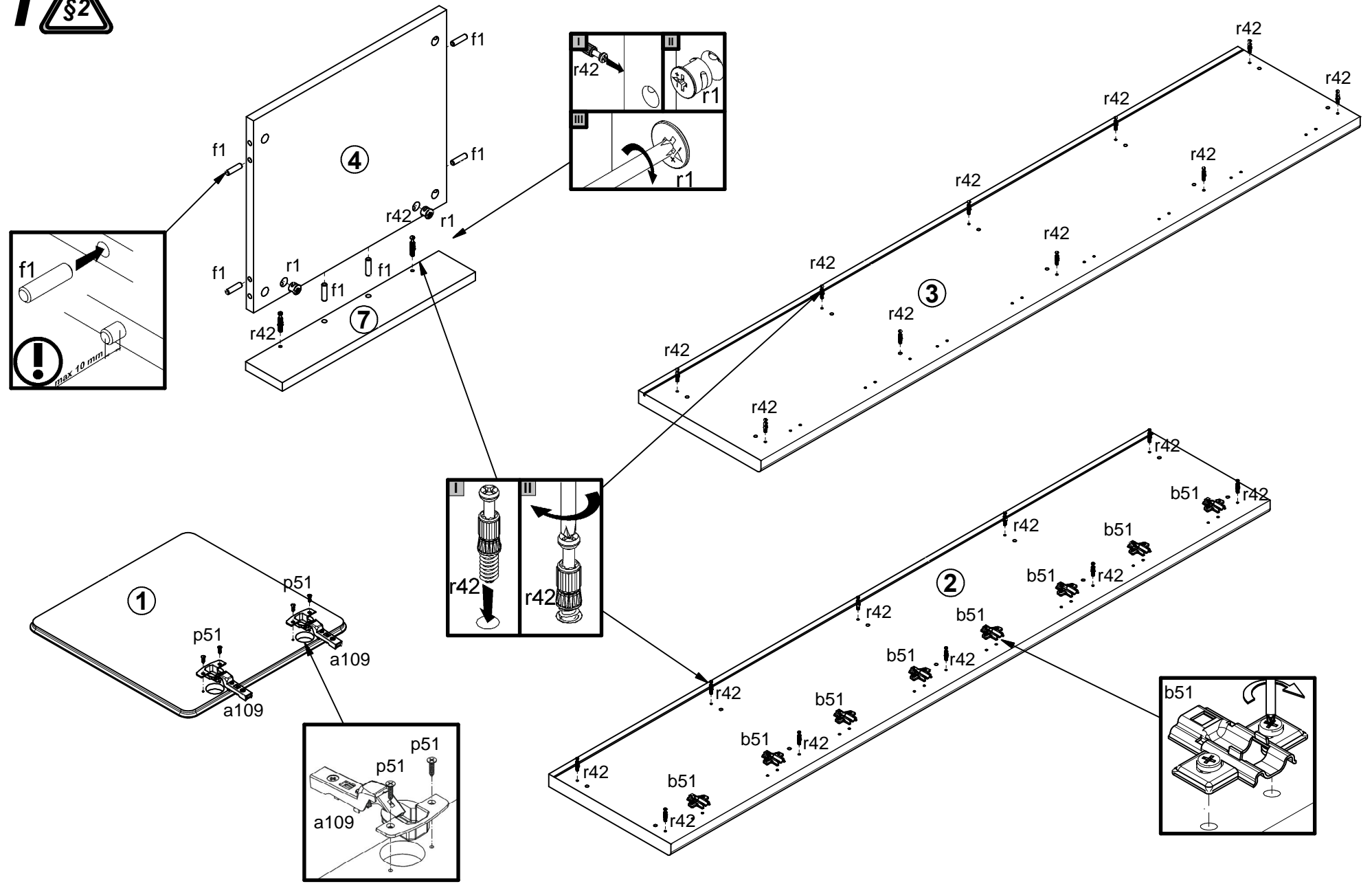


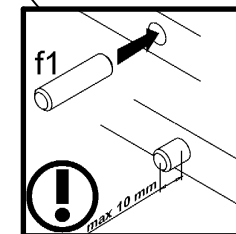
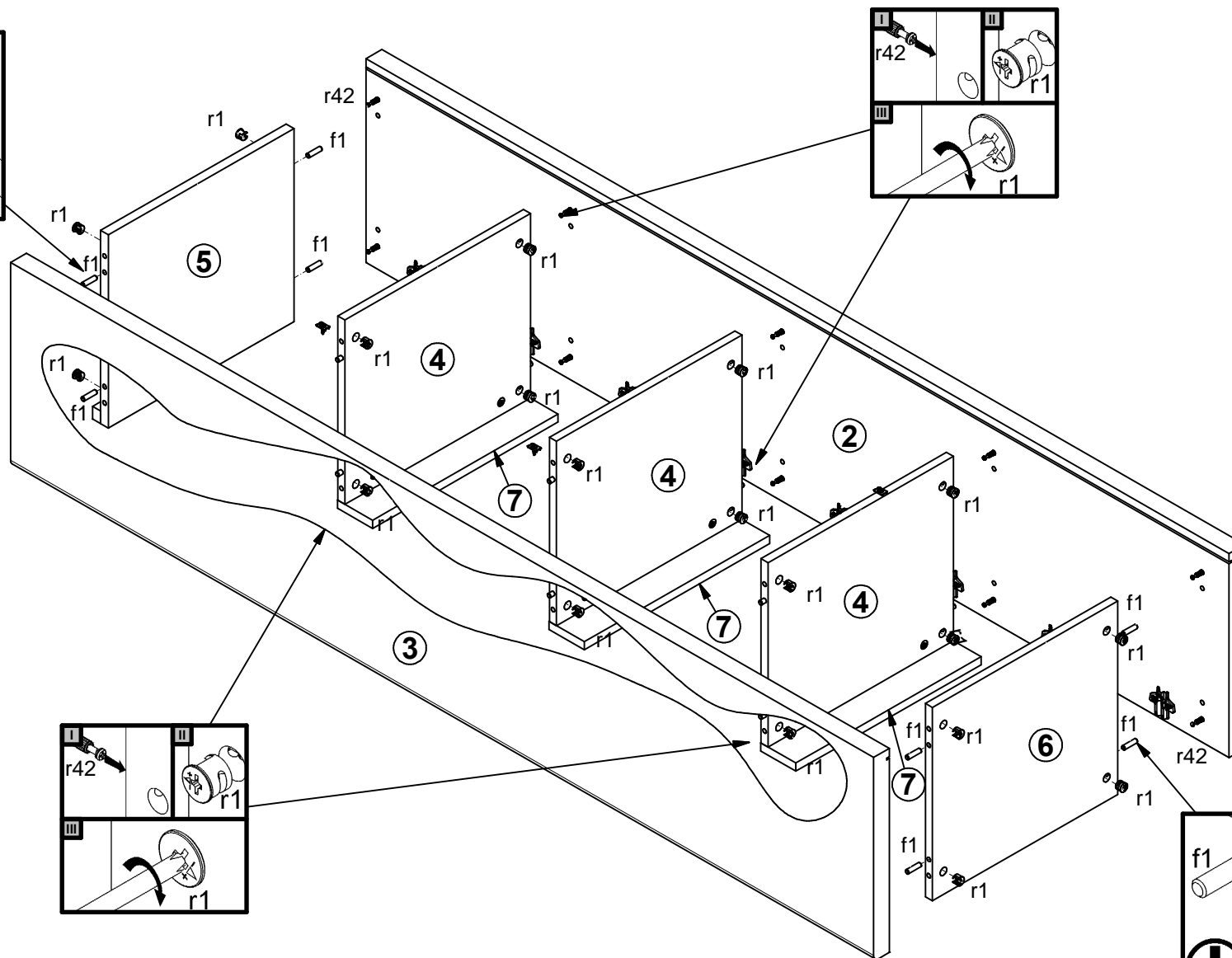
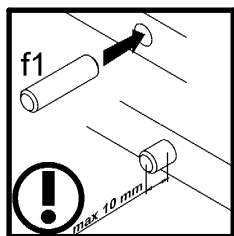
| A | B | C (mm) | | D |
|---|----------|--------|-------|-----|
| 1 | S221-017 | 445 | 445 | 1/1 |
| 2 | S221-154 | 1960 | 400 | 1/1 |
| 3 | S221-155 | 1960 | 400 | 1/1 |
| 4 | S221-344 | 421 | 361,5 | 1/1 |
| 5 | S221-358 | 421 | 379 | 1/1 |
| 6 | S221-359 | 421 | 379 | 1/1 |
| 7 | S221-415 | 421 | 80 | 1/1 |
| 8 | S221-921 | 445 | 431 | 1/1 |
| 9 | S221-922 | 480 | 431 | 1/1 |



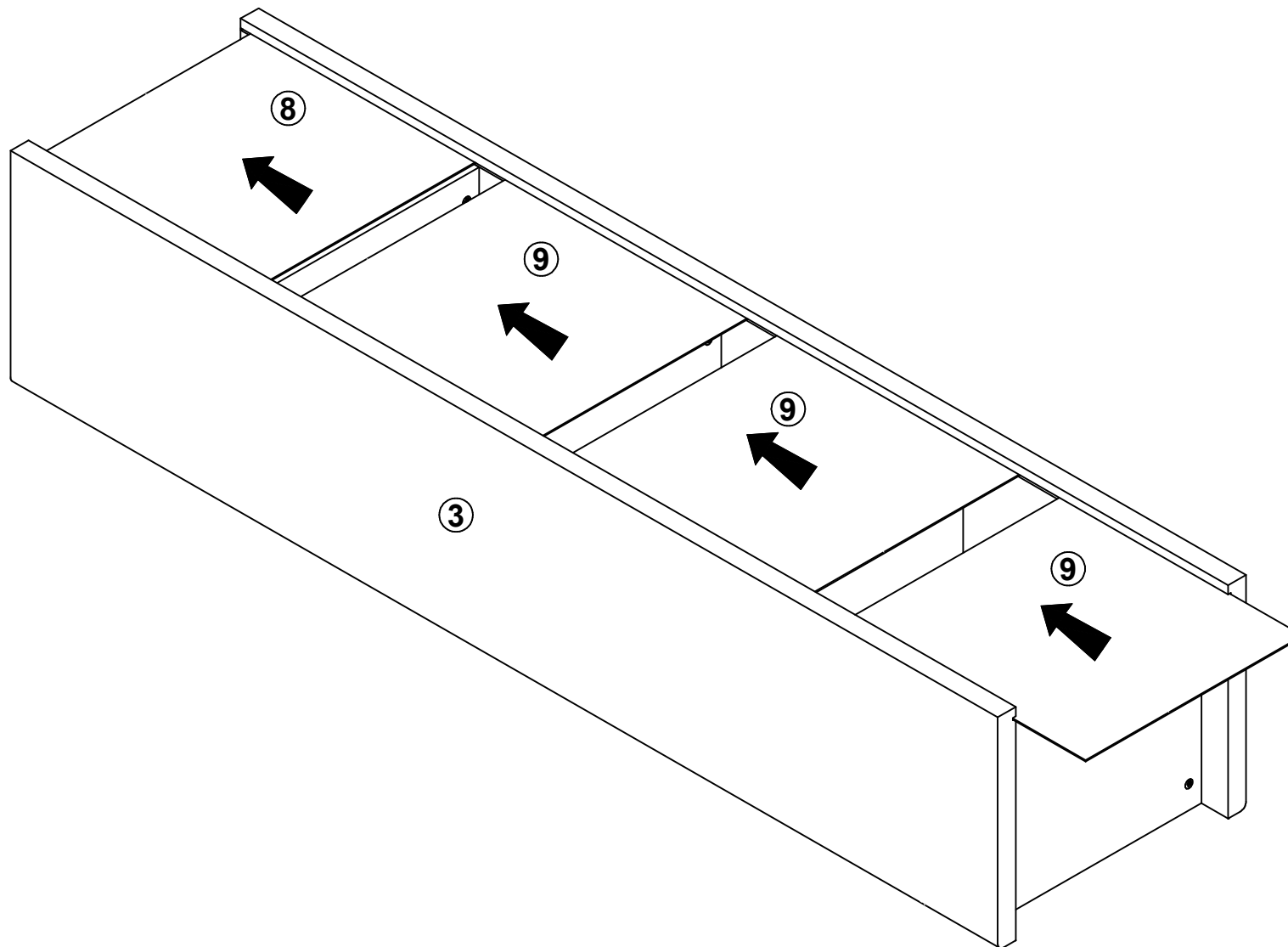
1 



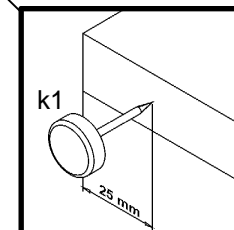
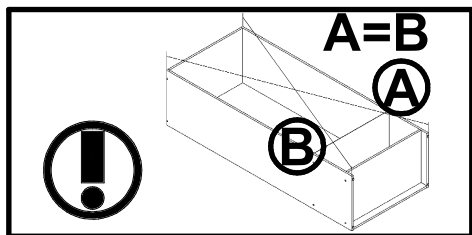
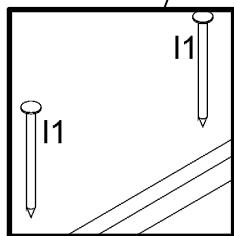
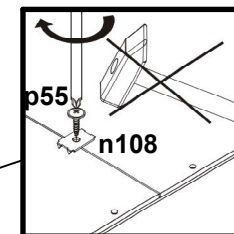
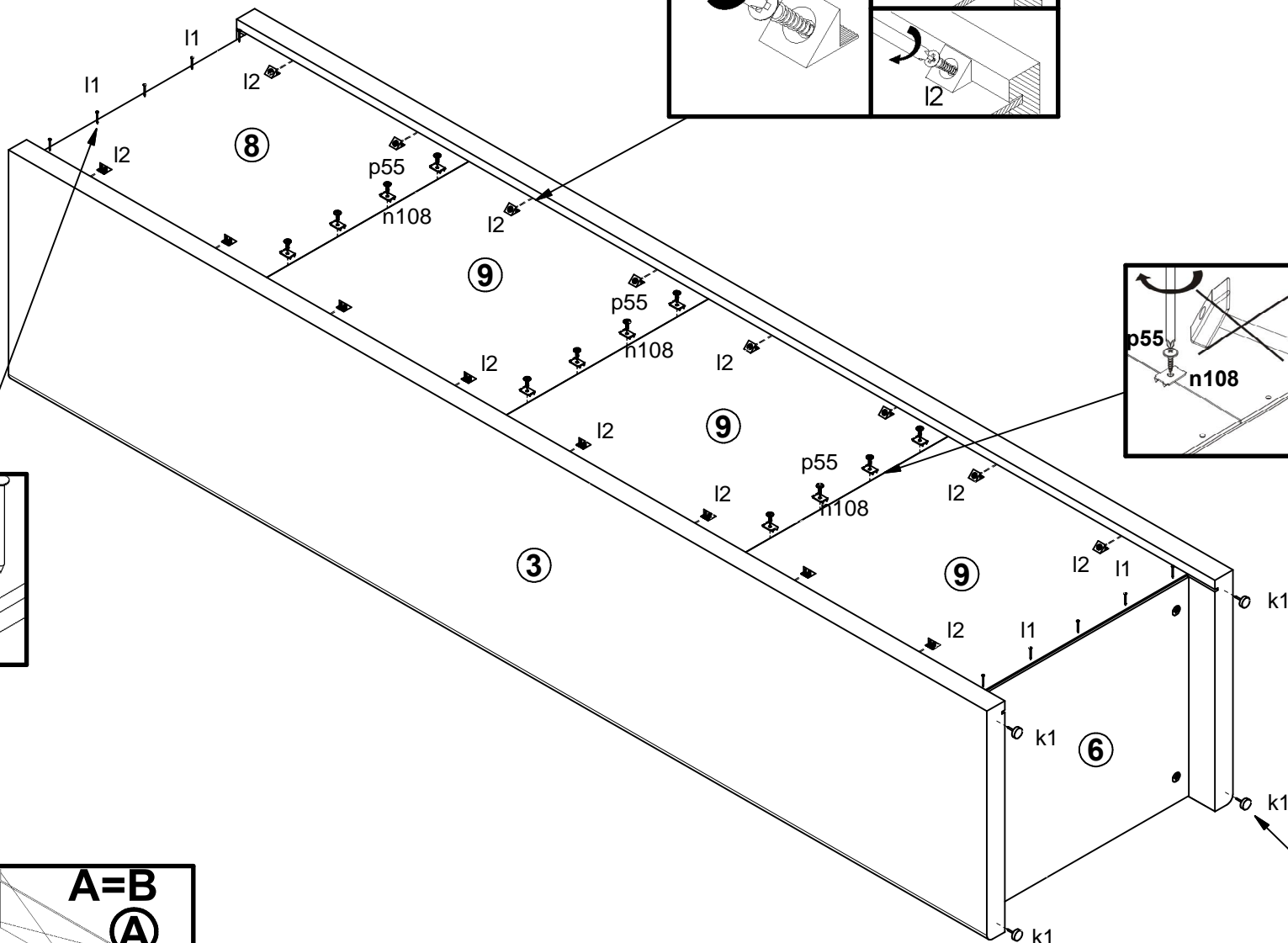
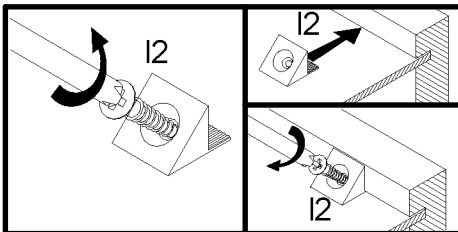
2



3



4



5 §6

