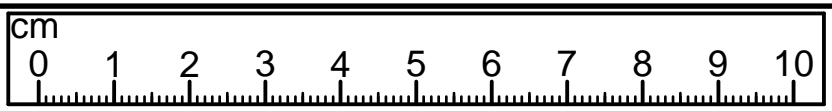
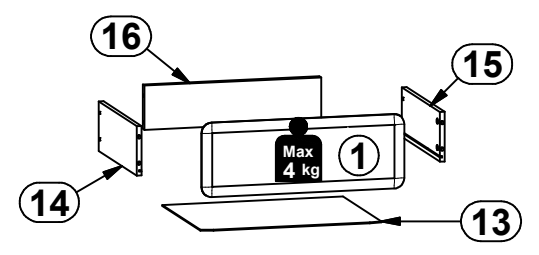
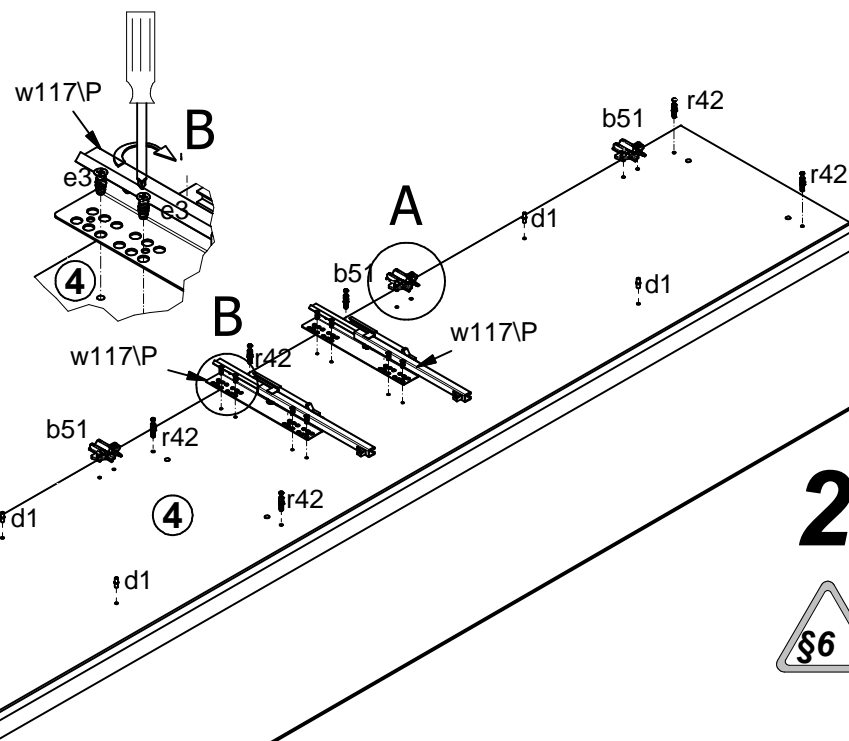
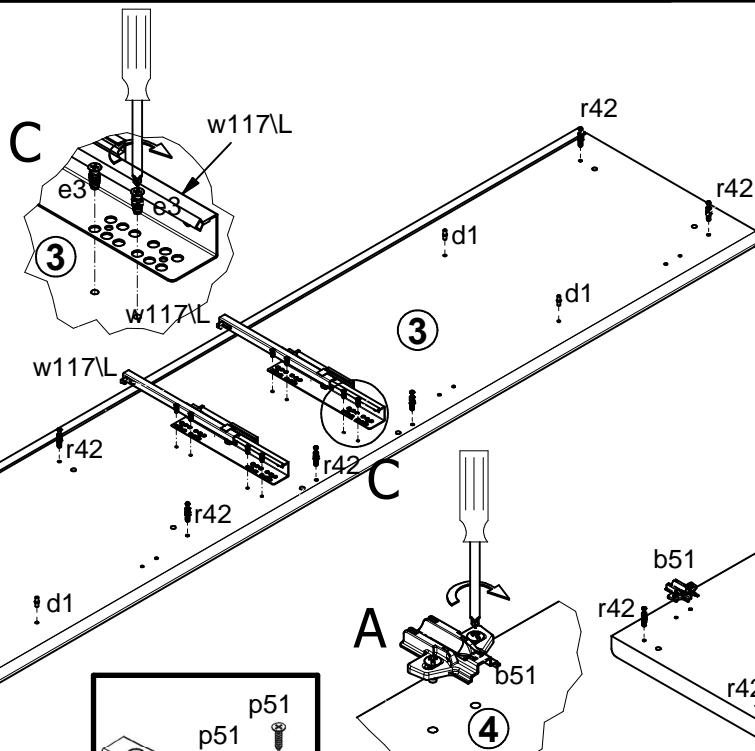
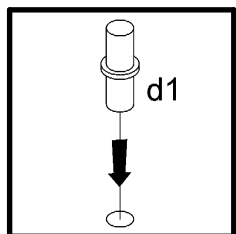


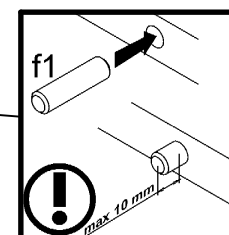
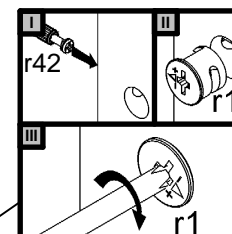
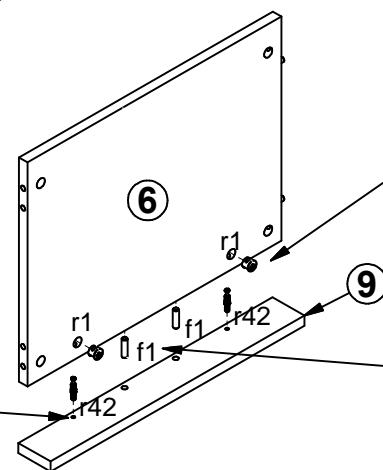
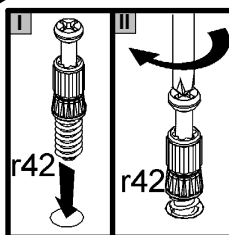
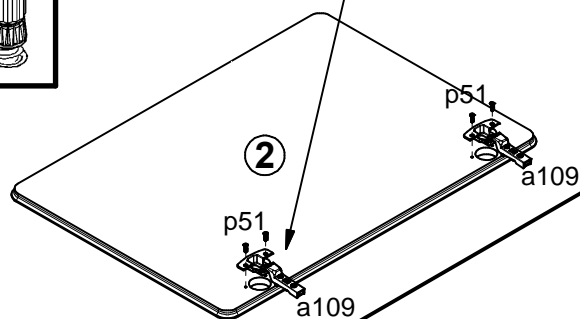
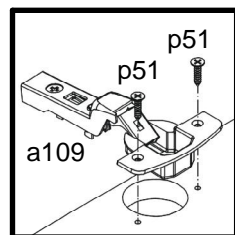
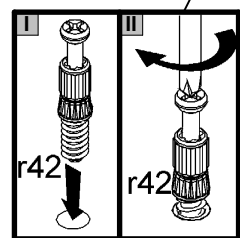
A	B	C (mm)	D	
1	S221-006	180	500	1/1
2	S221-018	709	500	1/1
3	S221-144	1960	400	1/1
4	S221-145	1960	400	1/1
5	S221-306	476	379	1/1
6	S221-332	476	362,5	1/1
7	S221-334	475	361,5	1/1
8	S221-348	476	379	1/1
9	S221-405	476	60	1/1
10	S221-406	476	60	1/1
11	S221-918	710	486	1/1
12	S221-9911	1175	486	1/1
13	WSP-921	446	358	1/1
14	WSQ3-505	350	120	1/1
15	WSQ3-506	350	120	1/1
16	WTQ-5027	436	107	1/1



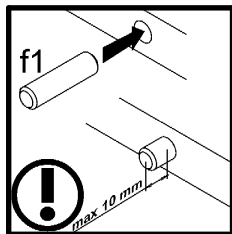
4x a109	4x b51	8x d1 Ø5x17 mm	16x e3 Ø6x13 mm	18x f1 Ø8x30 mm	8x f25 Ø6.5x40 mm	4x k1	10x l1	14x l2	4x n108 20x13x3.5	2x p25 Ø3.5x16 mm	2x p35 Ø3.5x10 mm	8x p38 Ø3.5x16 mm
8x p51 Ø3.5x15 mm	8x p55 Ø2.9x16 mm	18x r1 Ø15x12 mm #16	8x r15 Ø12x10.5 mm #12	26x r42 Ø2.9x16 mm	8x s4 Ø5	2x t35 350 mm	2x w117L 350 mm	2x w117P 350 mm	1x n261	1x p38 Ø3.5x16 mm	8x s34 Ø12	



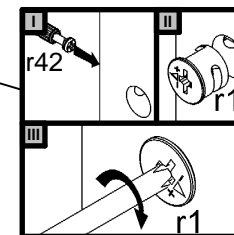
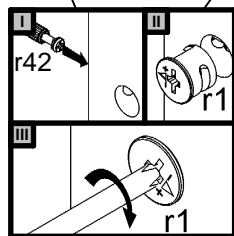
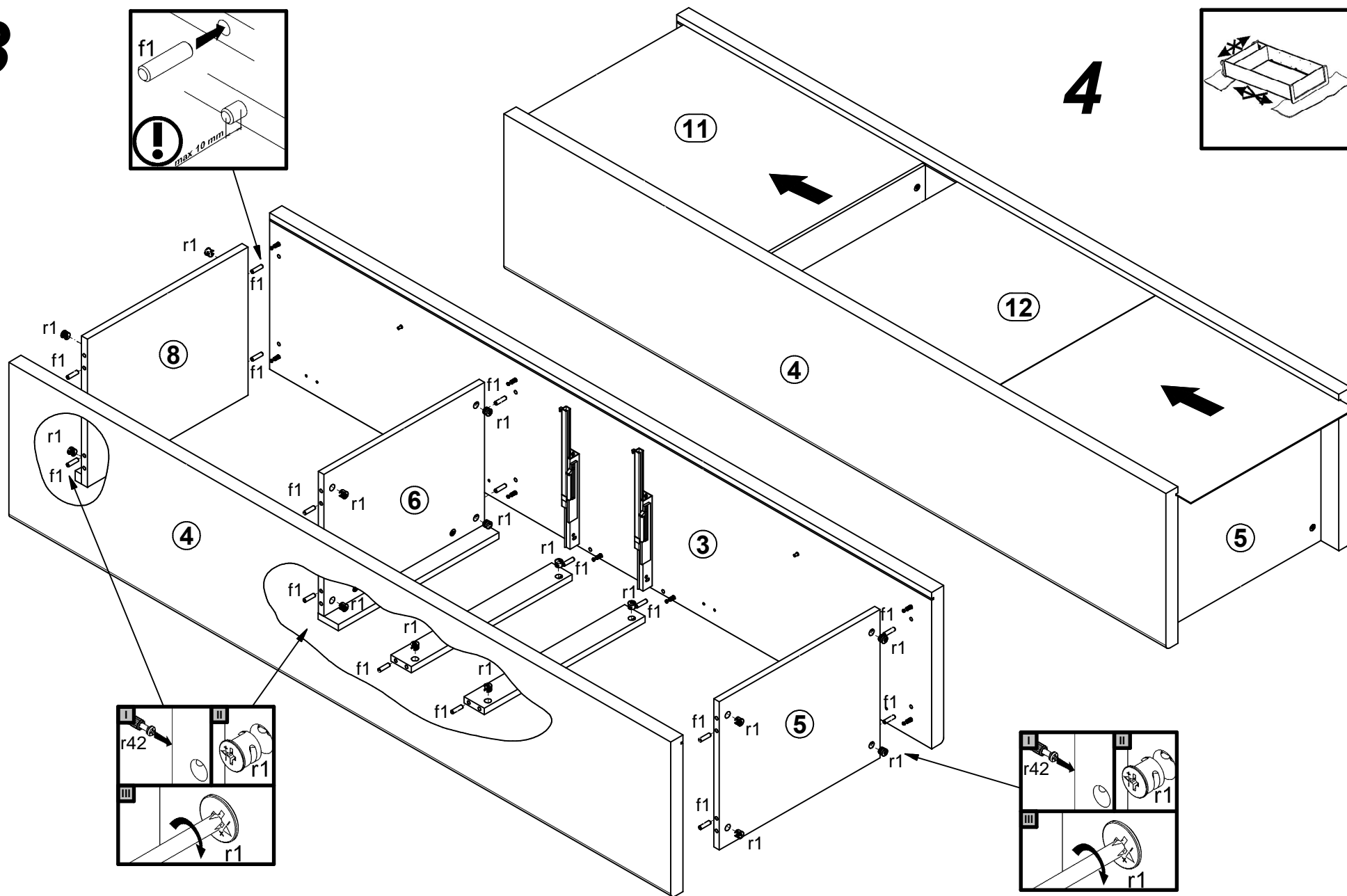
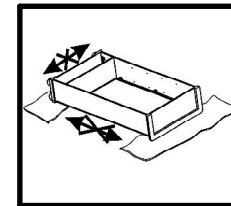
2



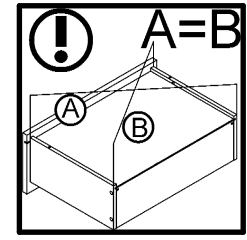
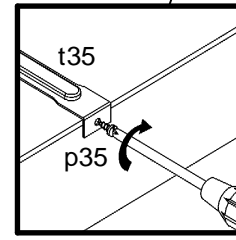
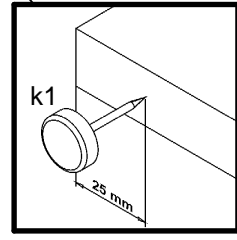
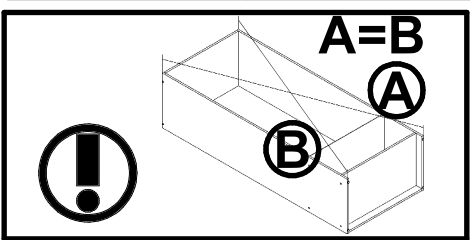
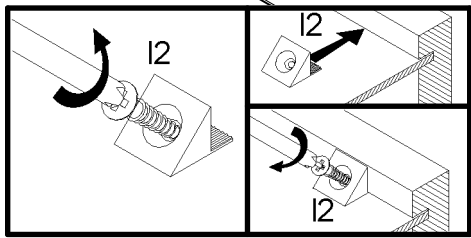
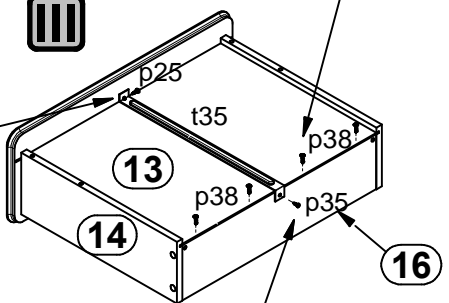
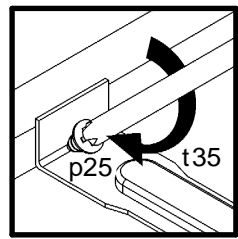
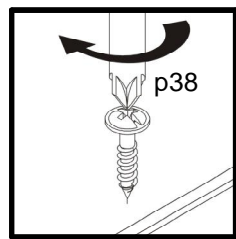
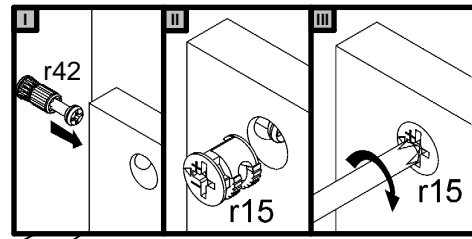
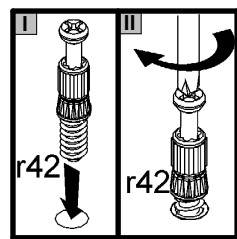
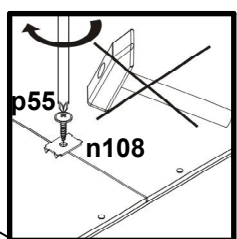
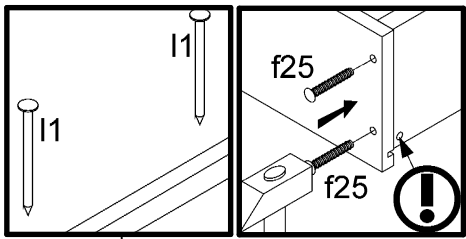
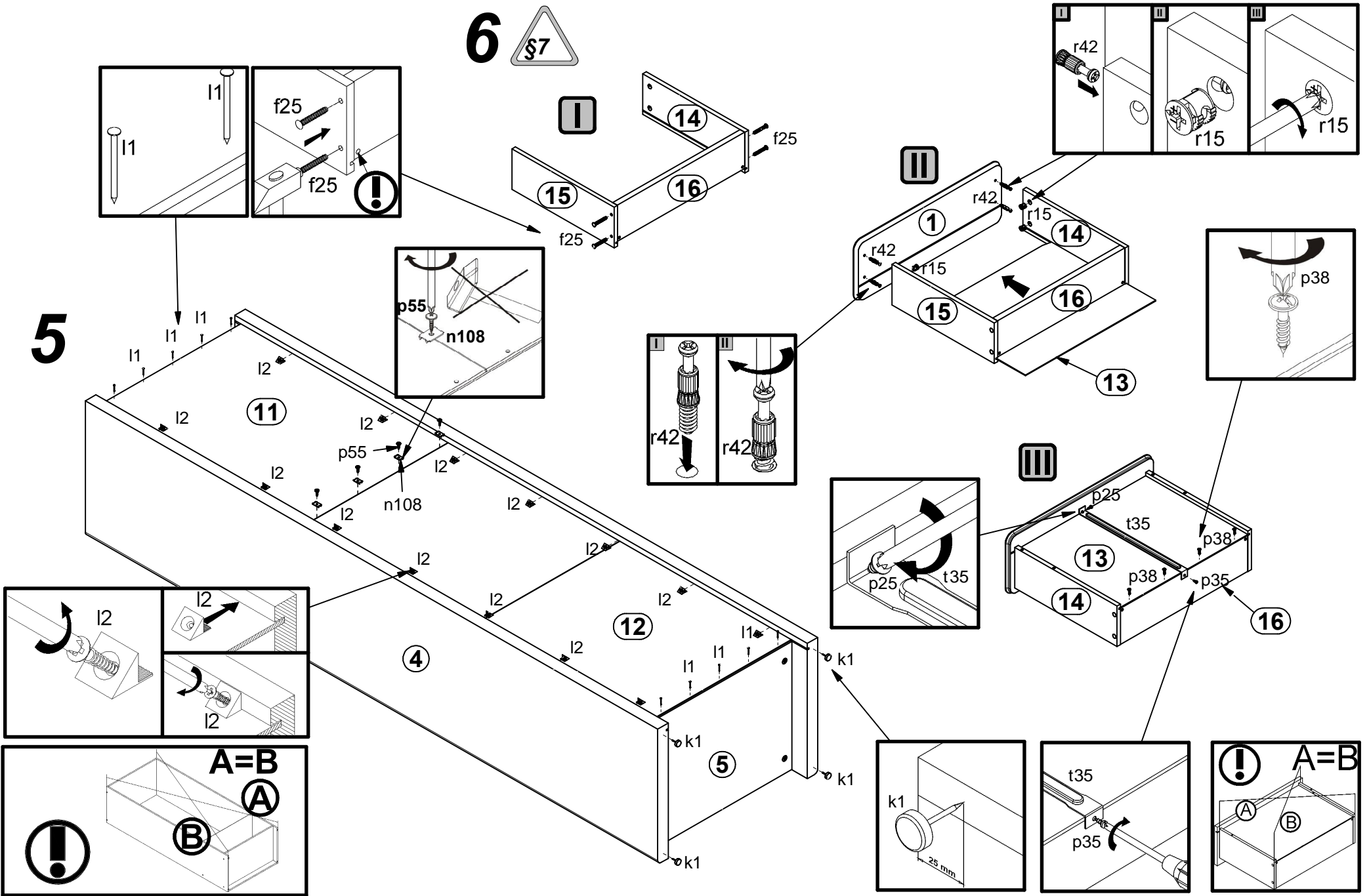
3



4



6



7

