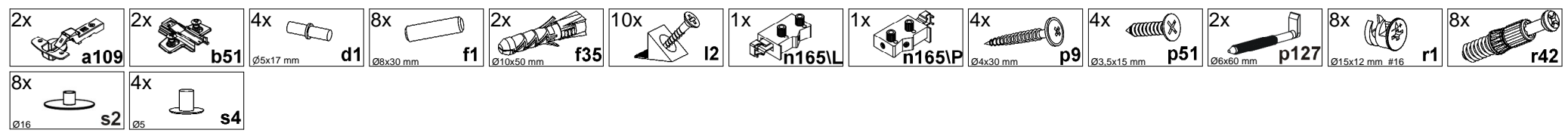
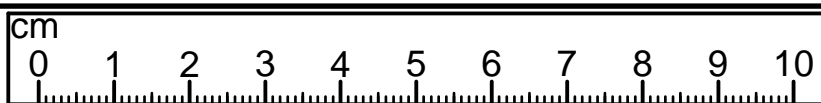
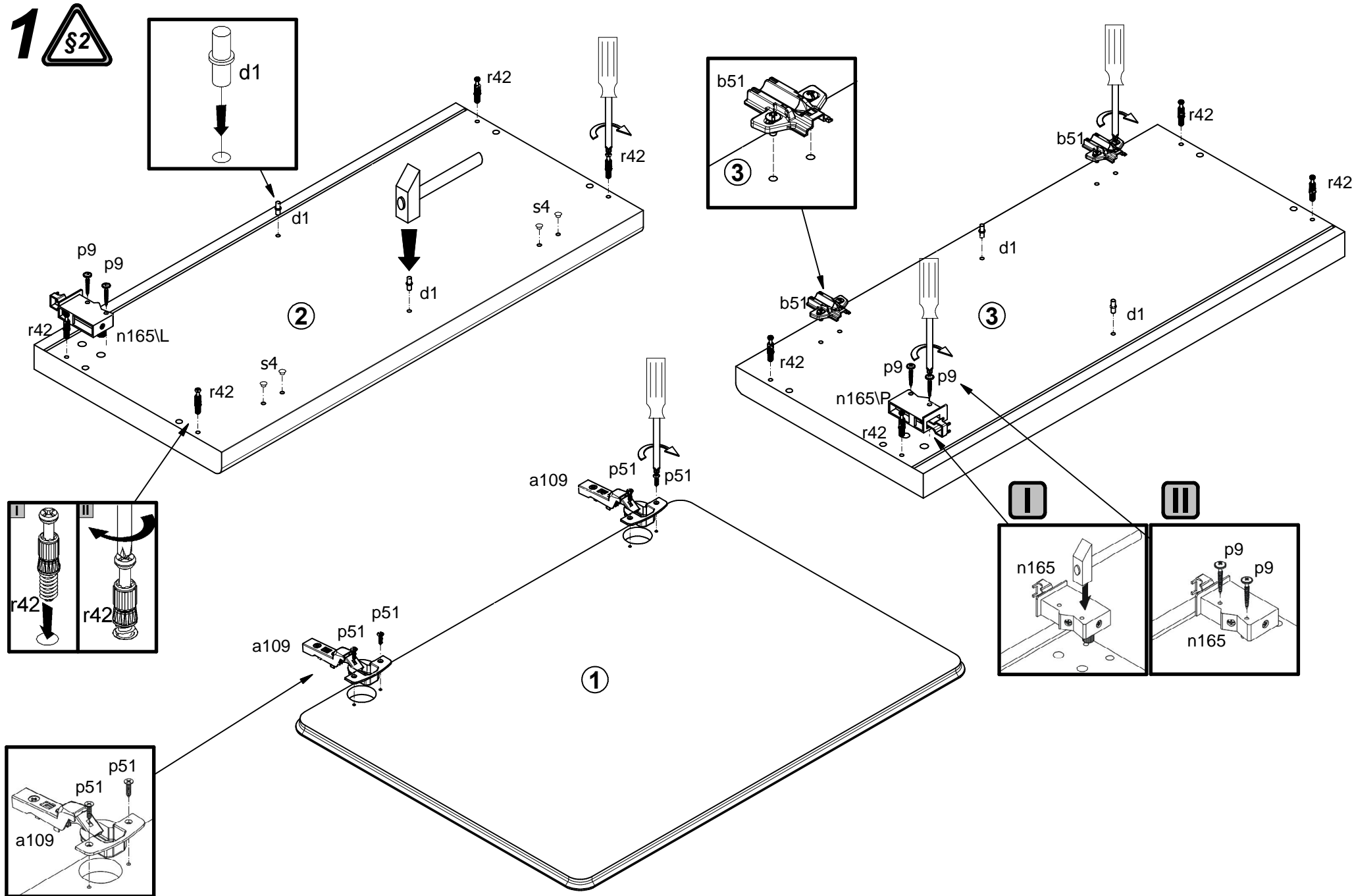
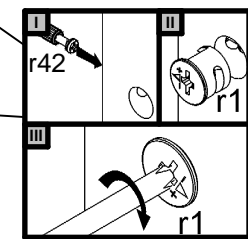
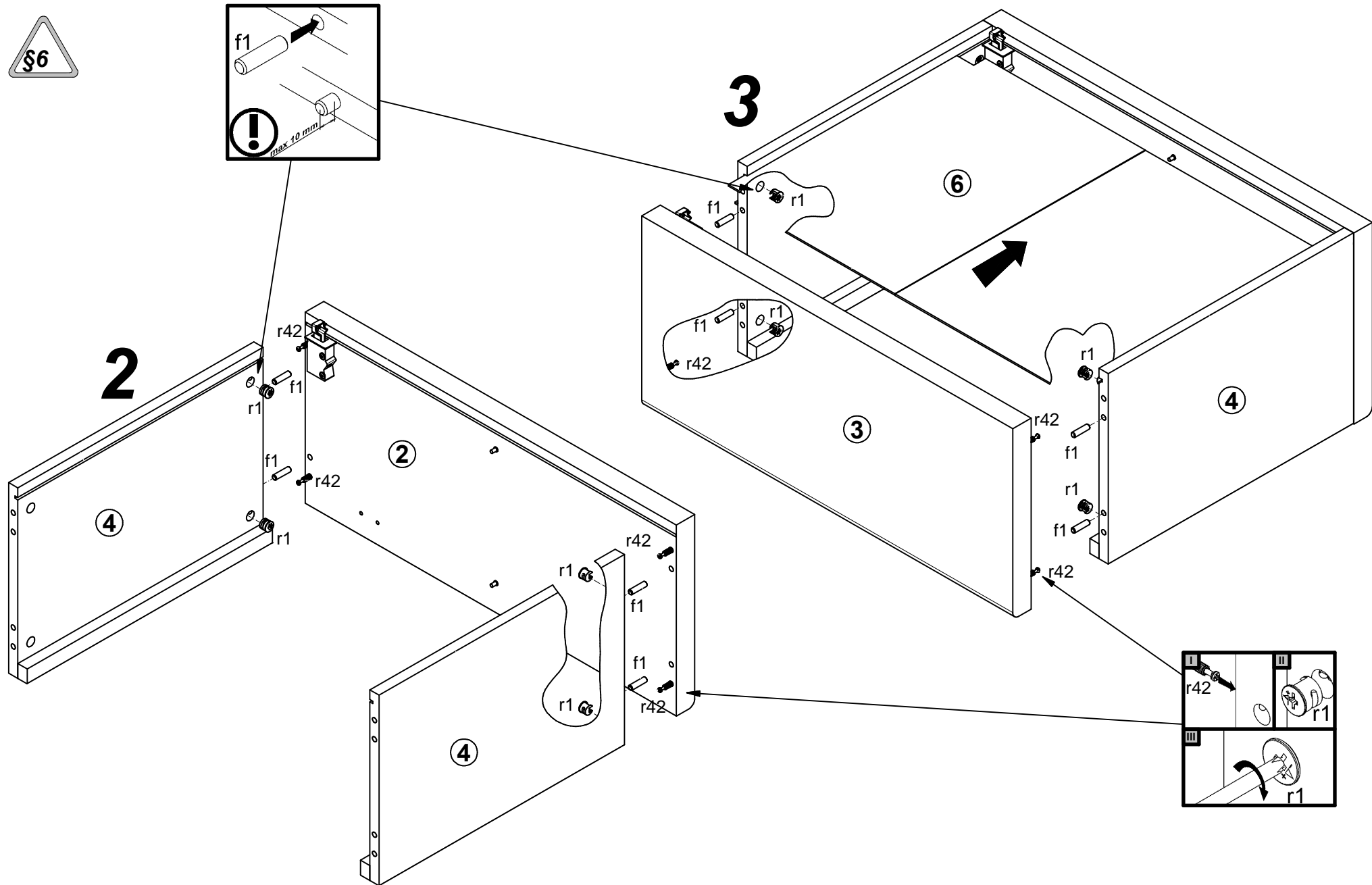
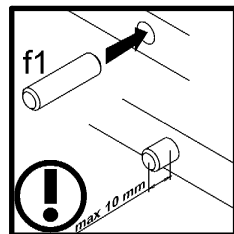


A	B	C (mm)		D
1	S221-015	671	500	1/1
2	S221-137	720	320	1/1
3	S221-138	720	320	1/1
4	S221-342	476	319	1/1
5	S221-343	476	289	1/1
6	S221-9902	693	486	1/1

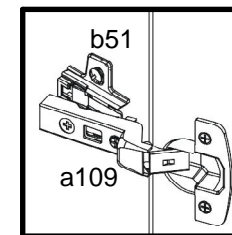
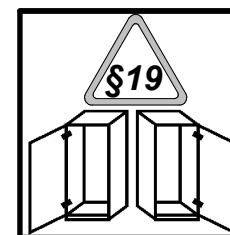
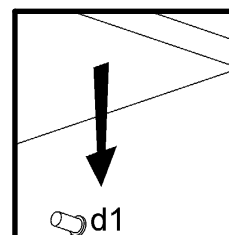
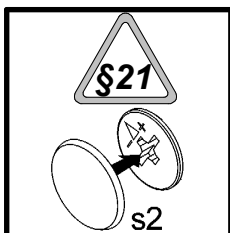
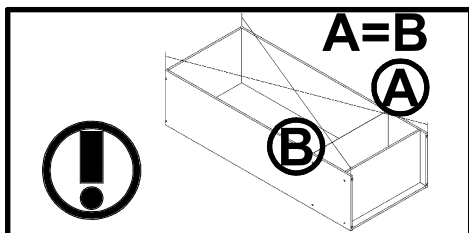
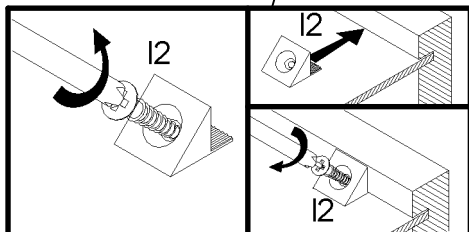
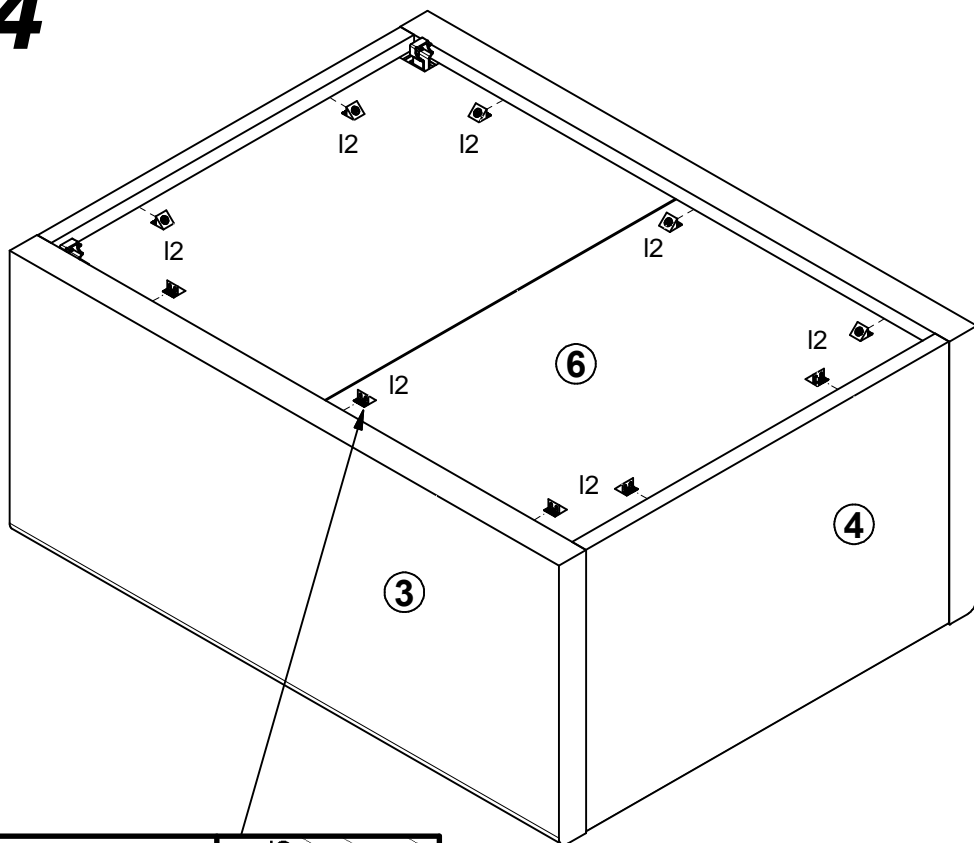


1 

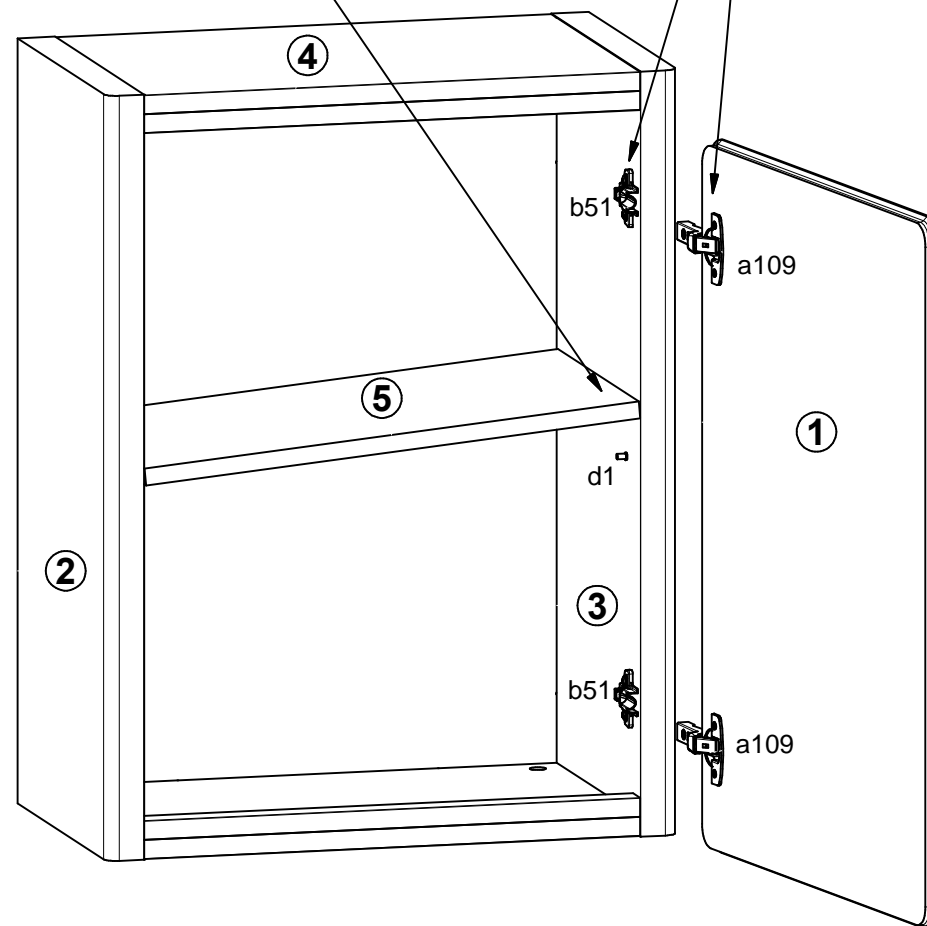




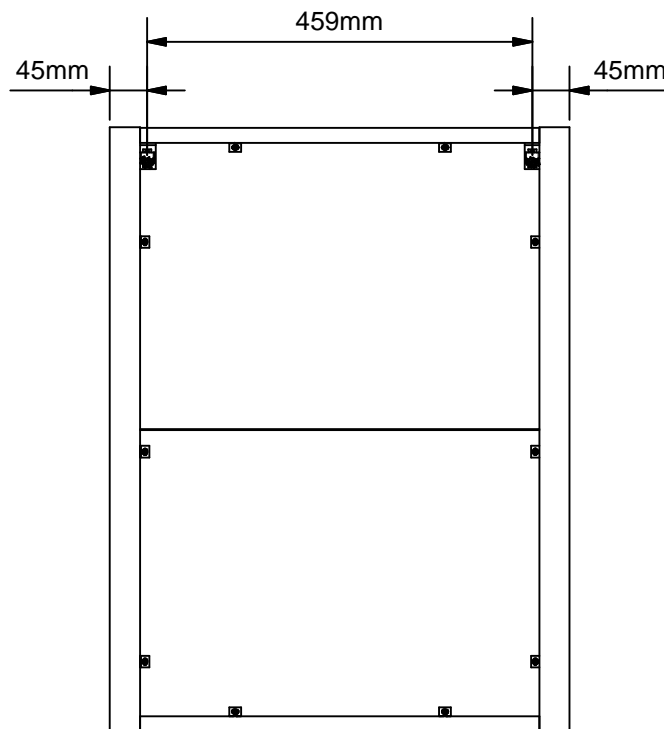
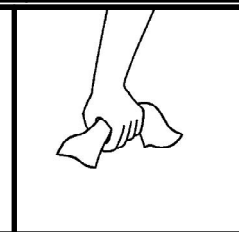
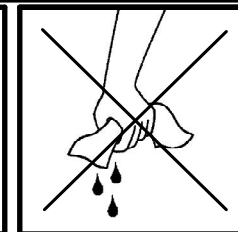
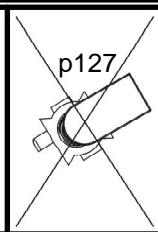
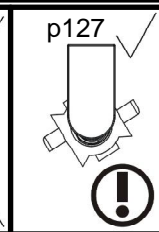
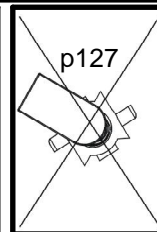
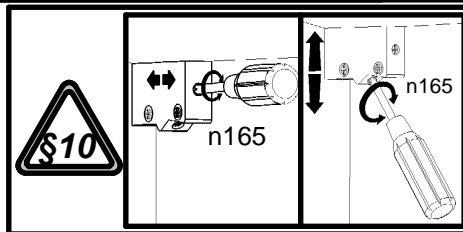
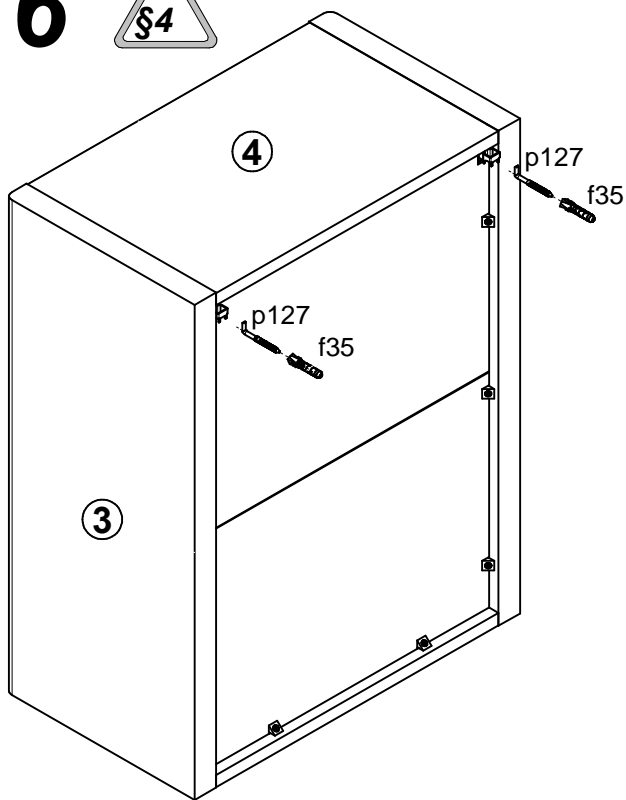
4



5



6



7

