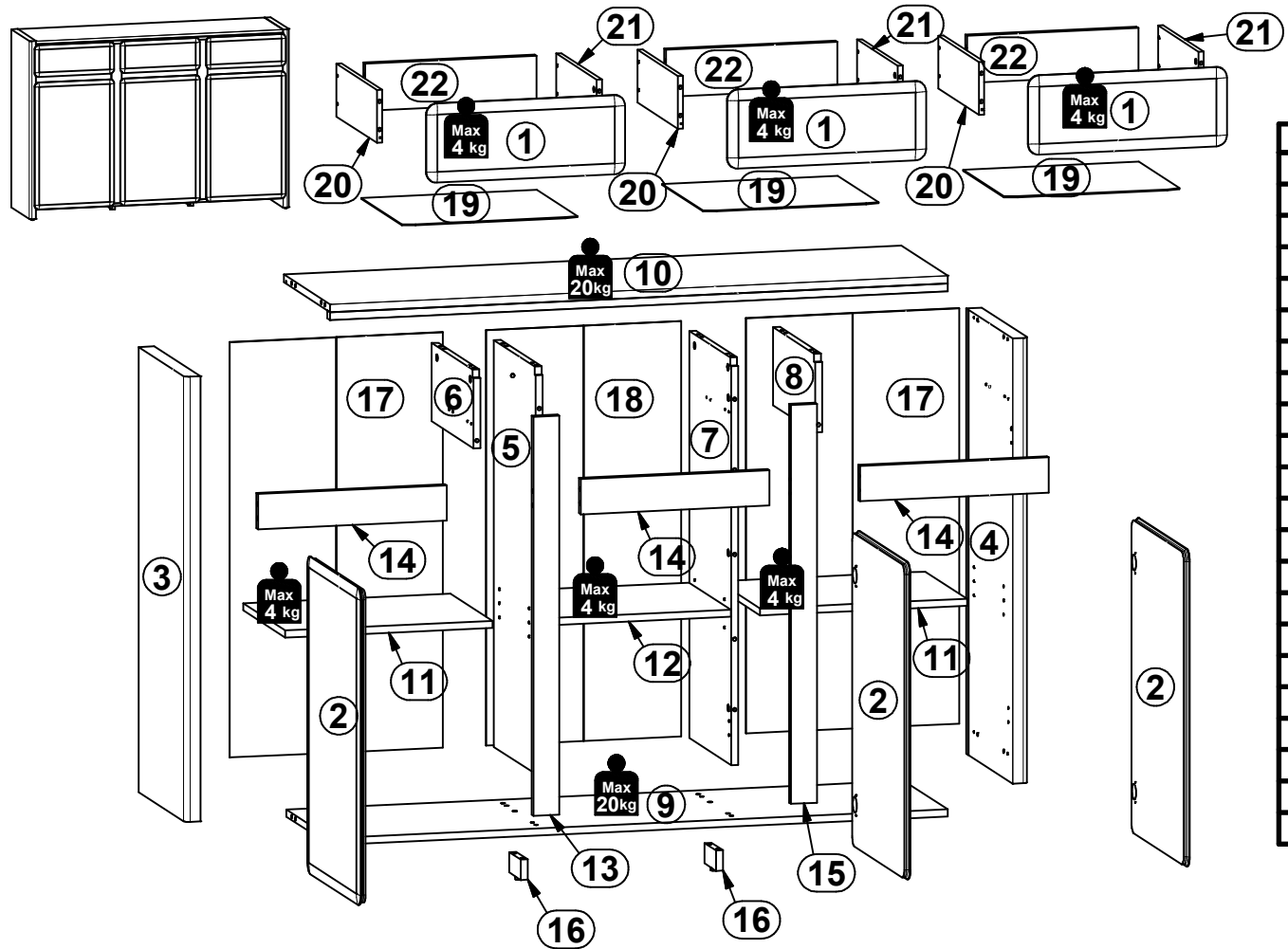
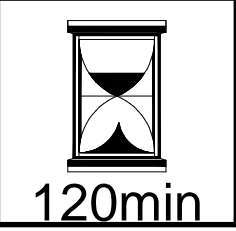
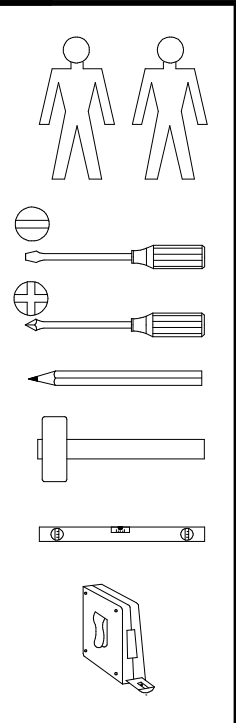


A S221-KOM3D3S/10/15

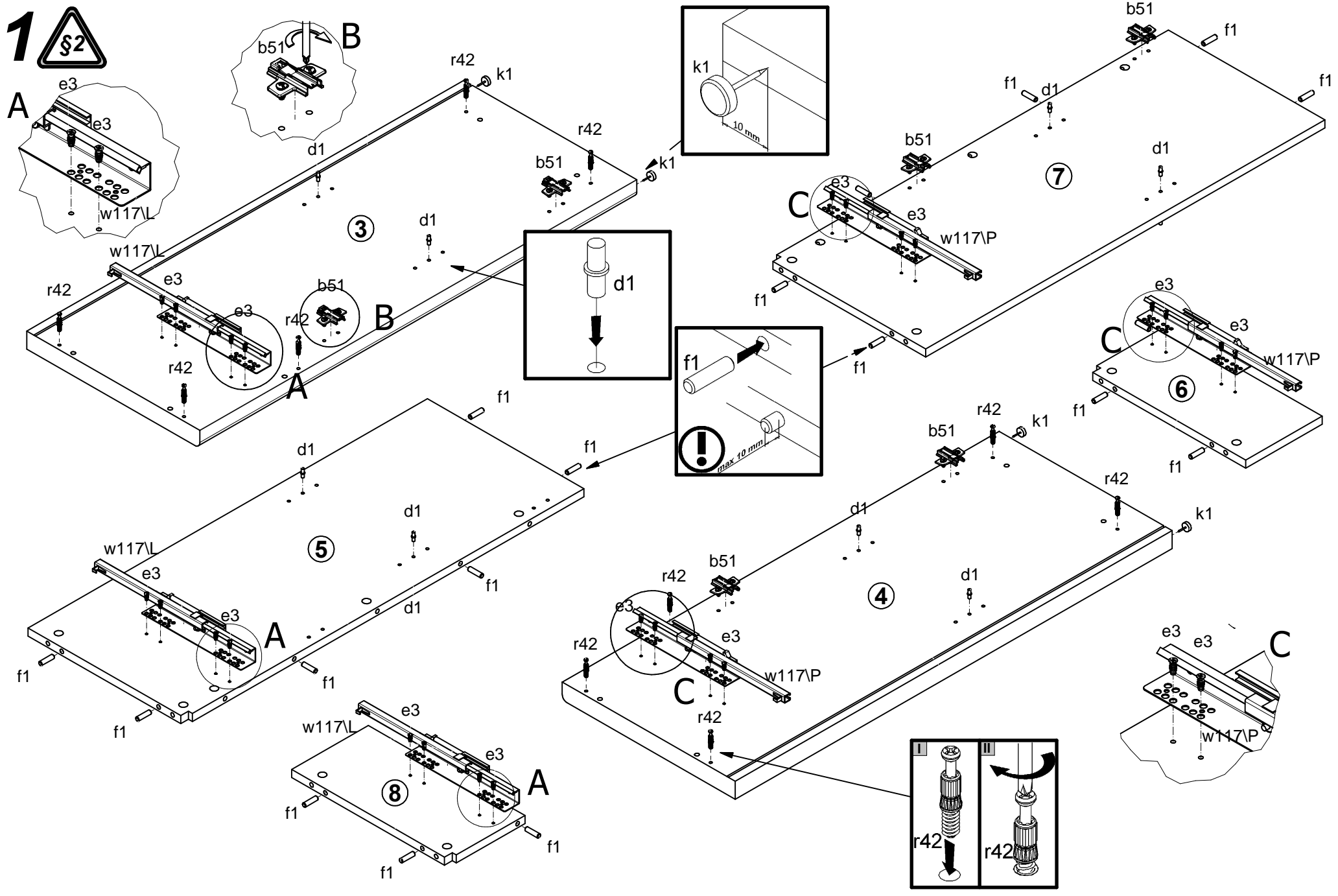


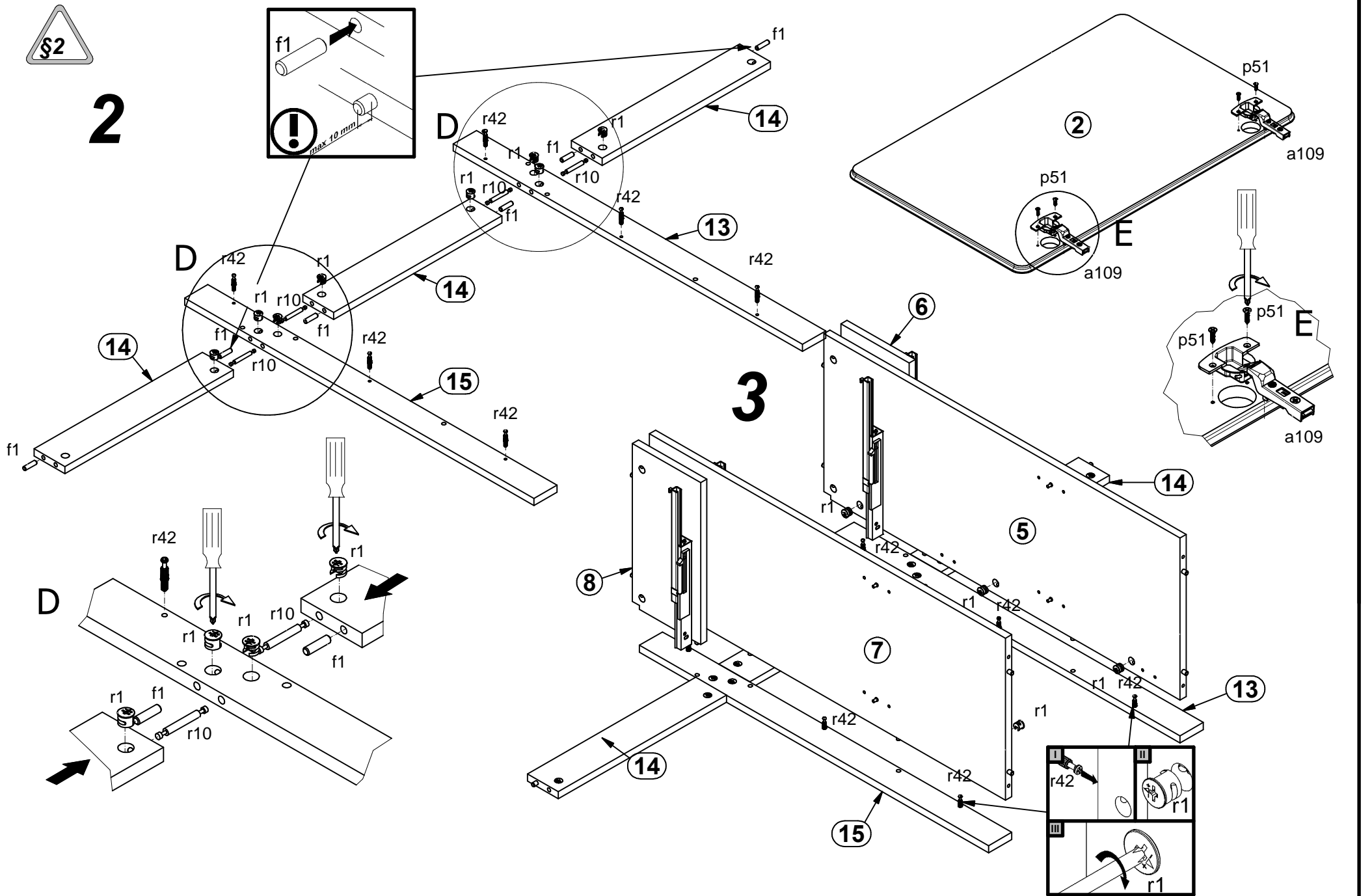
A	B	C (mm)	D	
1	S221-001	180	460	1/1
2	S221-004	720	460	1/1
3	S221-101	1010	400	1/1
4	S221-102	1010	400	1/1
5	S221-103	923	362	2/2
6	S221-104	177	362	2/2
7	S221-105	923	362	2/2
8	S221-106	177	362	2/2
9	S221-301	1428	379	1/2
10	S221-302	1428	399	1/2
11	S221-303	479	362	2/2
12	S221-304	435	362	2/2
13	S221-401	905	60	2/2
14	S221-402	436	80	2/2
15	S221-404	905	60	2/2
16	S221-531	46	100	1/2
17	S221-9901	942	493	1/2
18	S221-9904	942	451	1/2
19	WSP-925	406	358	1/2
20	WSQ3-505	350	120	1/2
21	WSQ3-506	350	120	1/2
22	WTQ-5030	396	107	1/2

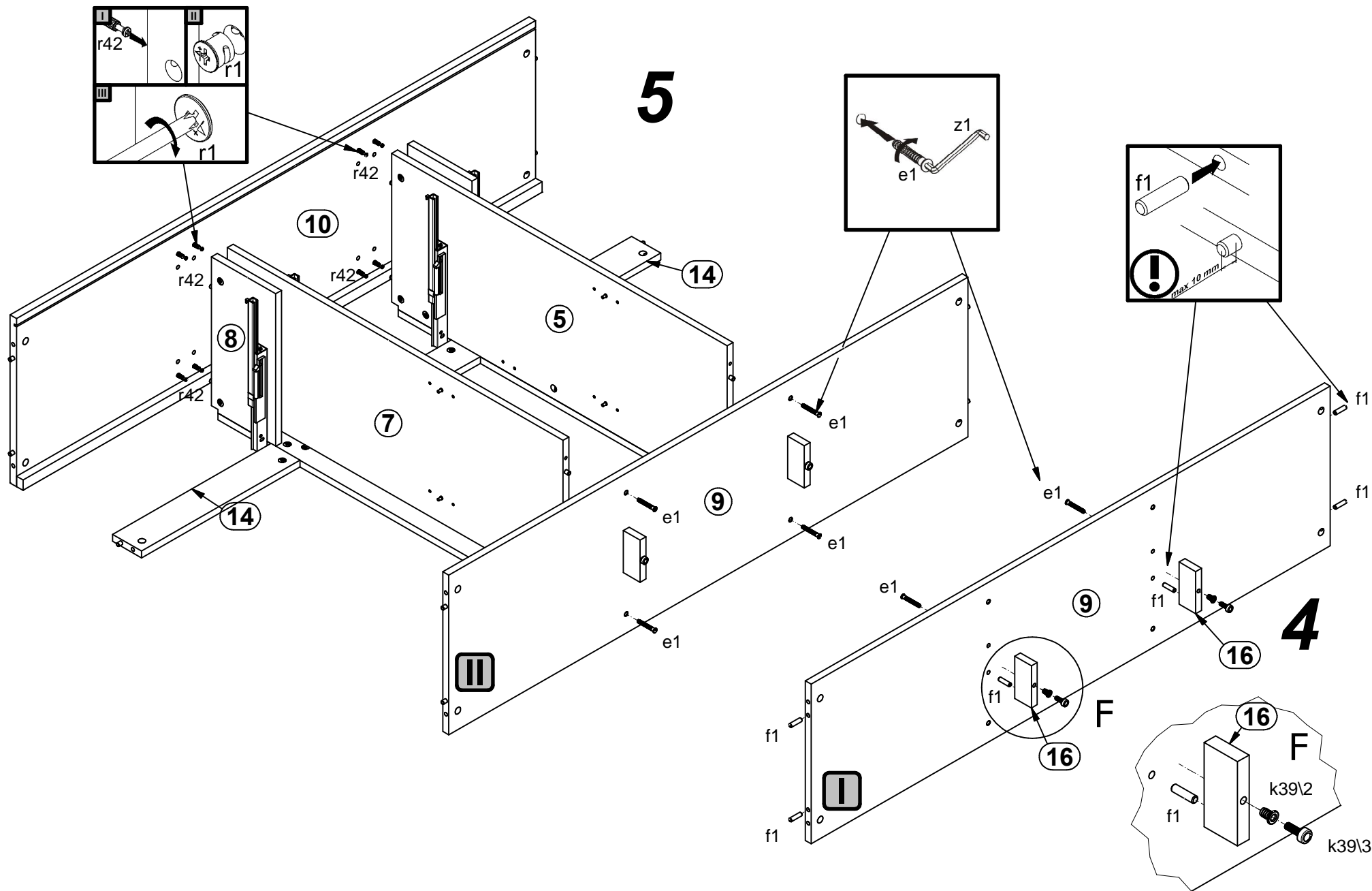


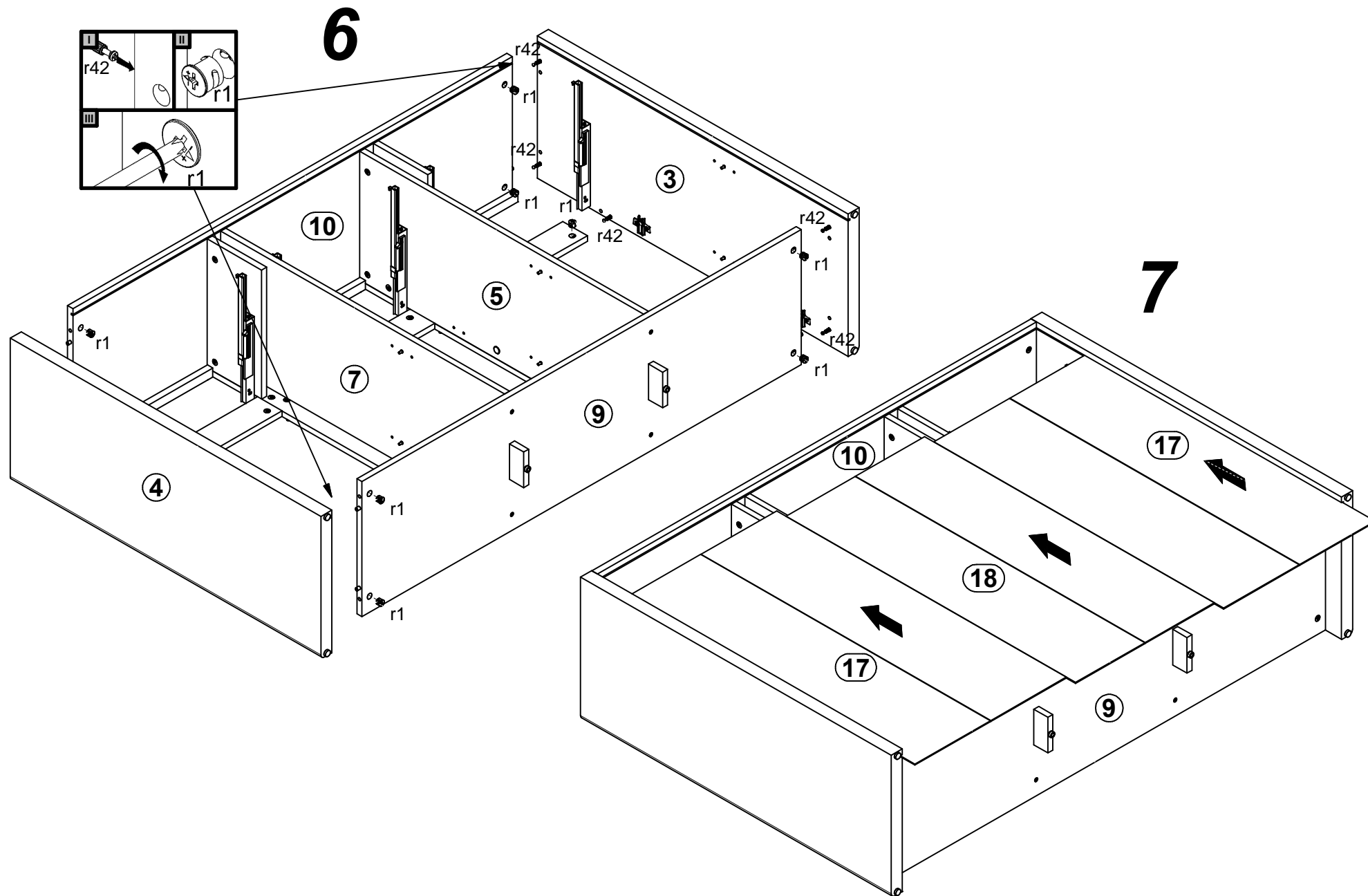
6x a109	6x b51	12x d1 Ø5x17 mm	6x e1 Ø7x50 mm	24x e3 Ø6x13 mm	34x f1 Ø8x30 mm	12x f25 Ø6.5x40 mm	4x k1	17x l1	12x l2	2x k3912 M6/Ø14x14 mm	2x k3913 M6/22 mm	1x z1
12x p38 Ø3.5x16 mm	12x p51 Ø3.5x15 mm	18x p55 Ø2.9x16 mm	32x r1 Ø15x12 mm #16	4x r10	12x r15 Ø12x10.5 mm #12	36x r42	4x s2 Ø16	3x t35 350 mm	3x W117L 350 mm	3x W117P 350 mm	1x n2611	1x p38 Ø3.5x16 mm
7x o21 silikon	12x s34 Ø12											

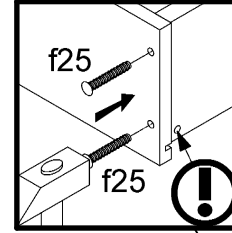
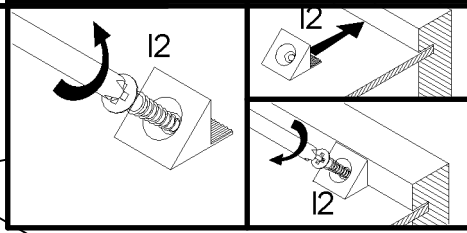
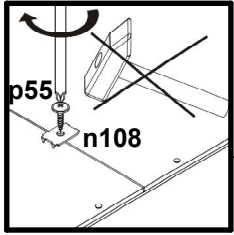
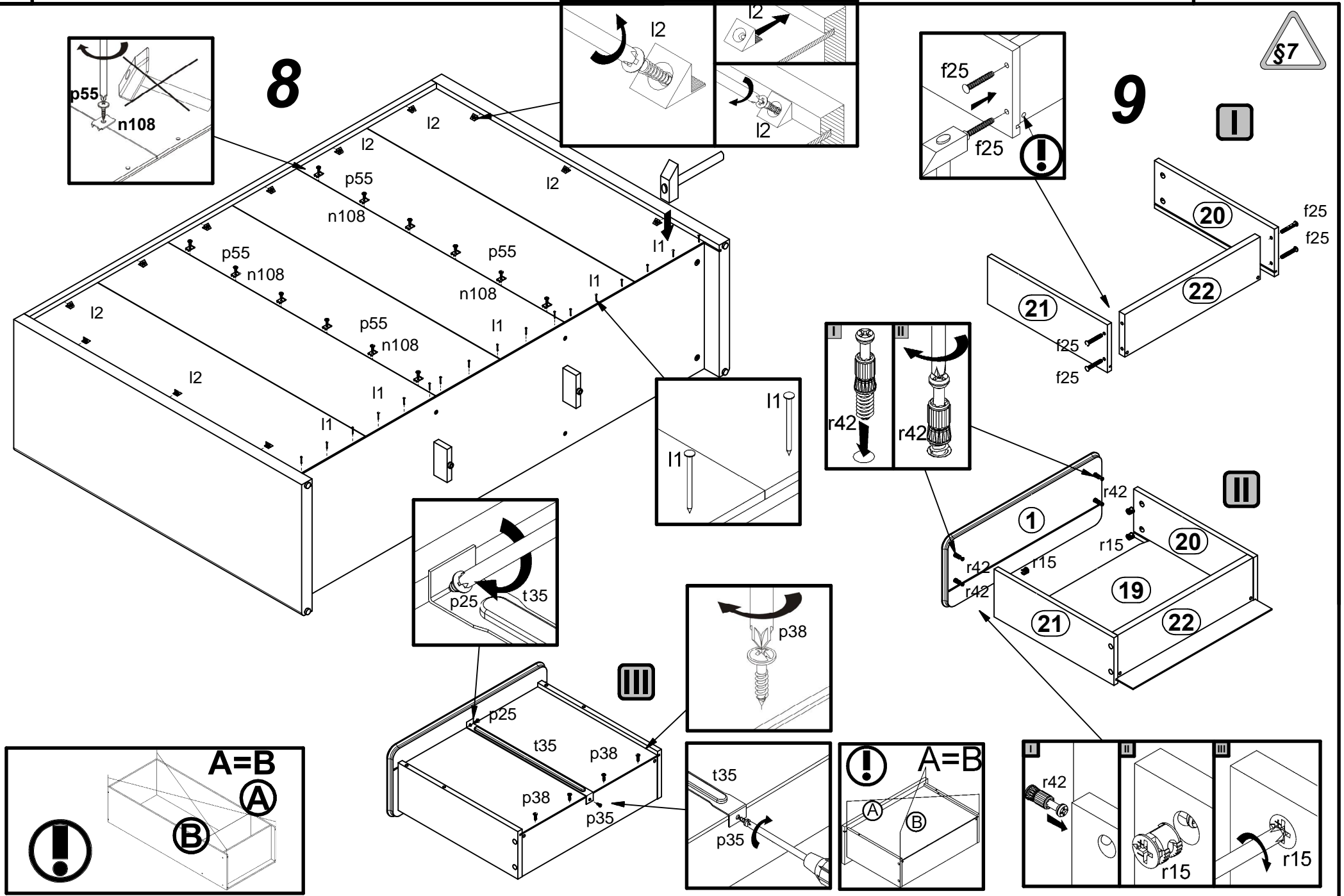
1



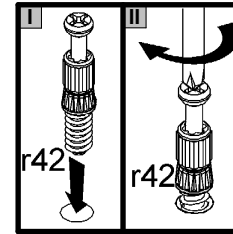
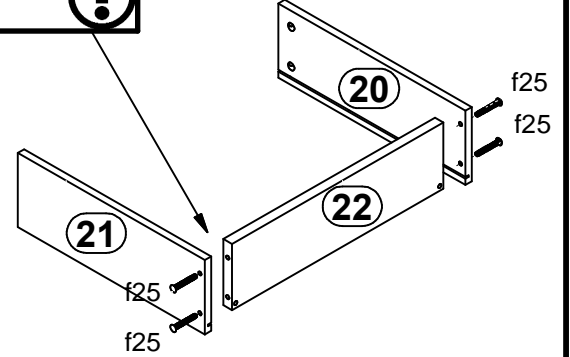




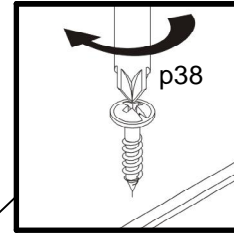
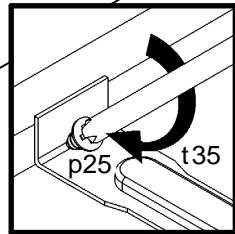
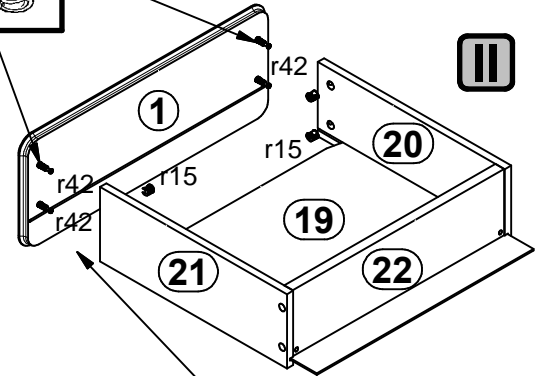




II



III



III

