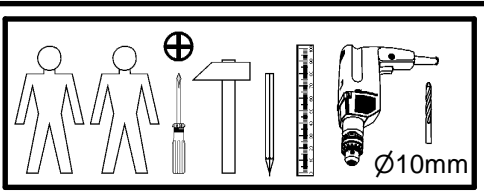
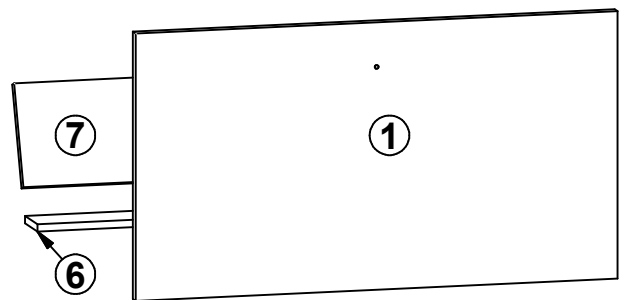
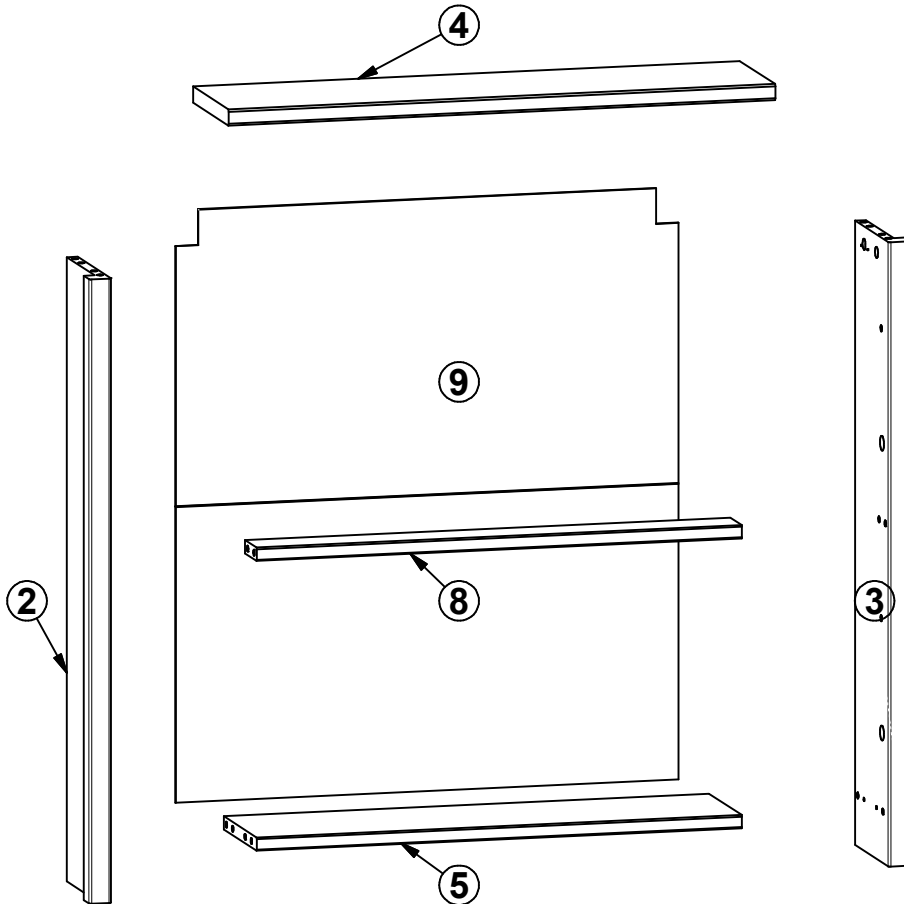
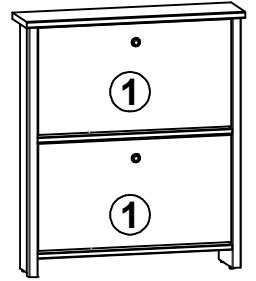


A	B	C	D	
1	S322-032	660	360	2/2
2	S322-146	840	172	1/2
3	S322-147	840	172	1/2
4	S322-217	749	183	1/2
5	S322-332	665	169	1/2
6	S322-421	653	65	1/2
7	S322-422	653	140	1/2
8	S322-423	665	60	1/2
9	S322-939	797	689	2/2



2x M4 c415	16x Ø6.3x13 mm e2	12x Ø8x30 mm f1	4x f15	2x Ø10x50 mm f35	2x M4x20 mm j1	4x k1	30x l1	4x m10
4x m11	2x m18\lP	2x m18\lL	2x n122	2x Ø6x60 mm p127	16x Ø2.5x13 mm p15	4x Ø4x30 mm p21	8x Ø15x12 mm #16 r1	8x r42
2x Ø16 s2								

