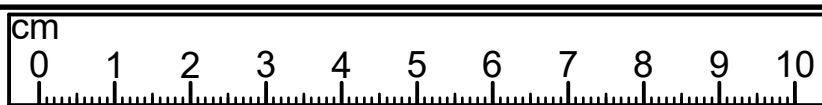
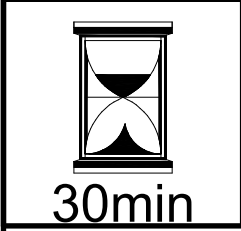
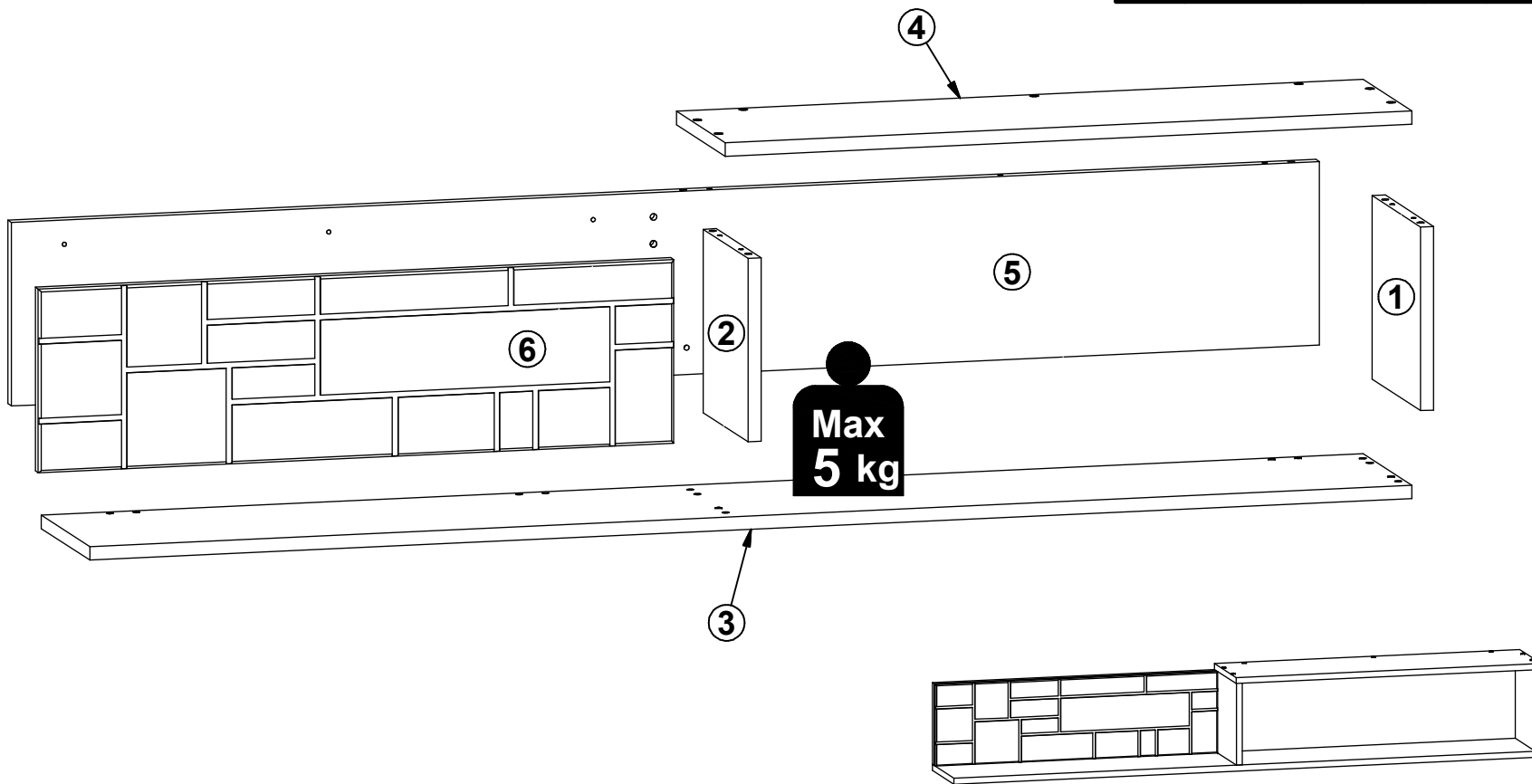
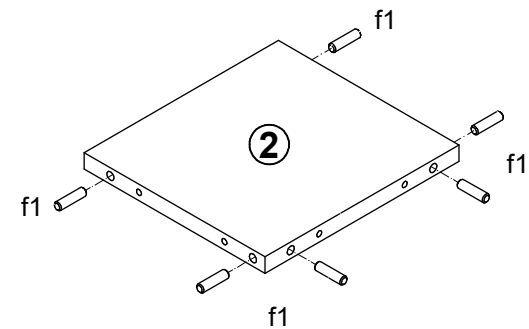
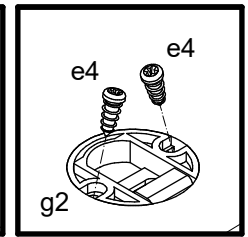
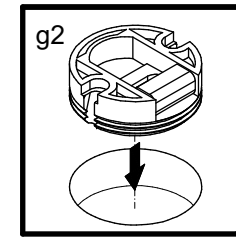
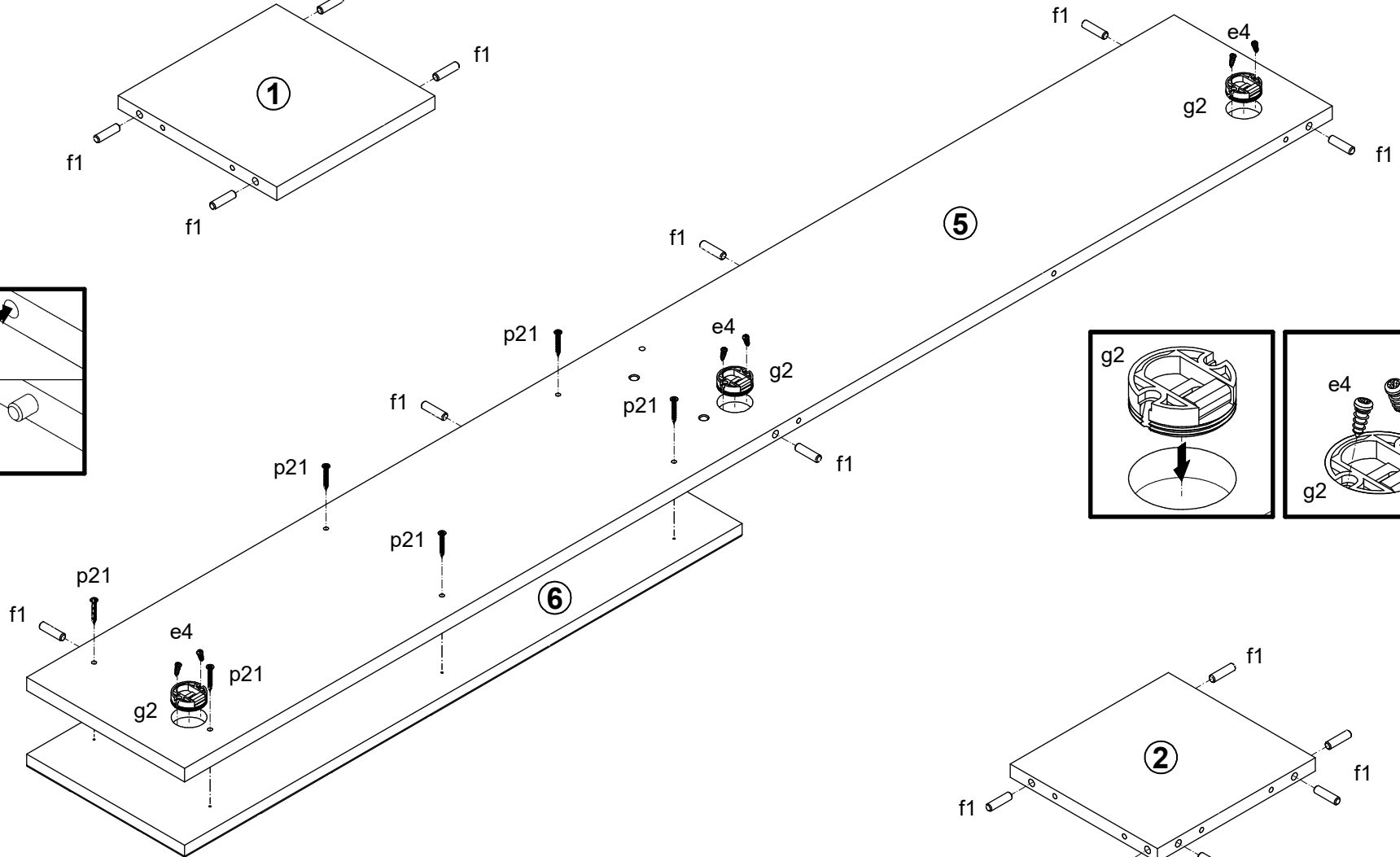
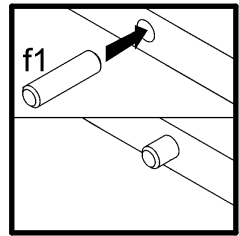
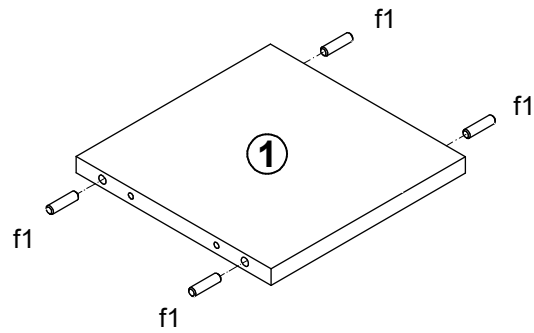


A	B	C (mm)			D
1	S605-1100	218	219	16	1/1
2	S605-1101	218	203	16	1/1
3	S605-2101	1600	220	16	1/1
4	S605-2102	831	220	16	1/1
5	S605-4100	1583	218	16	1/1
6	S605-4101	769	218	16	1/1



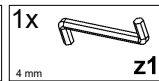
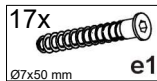
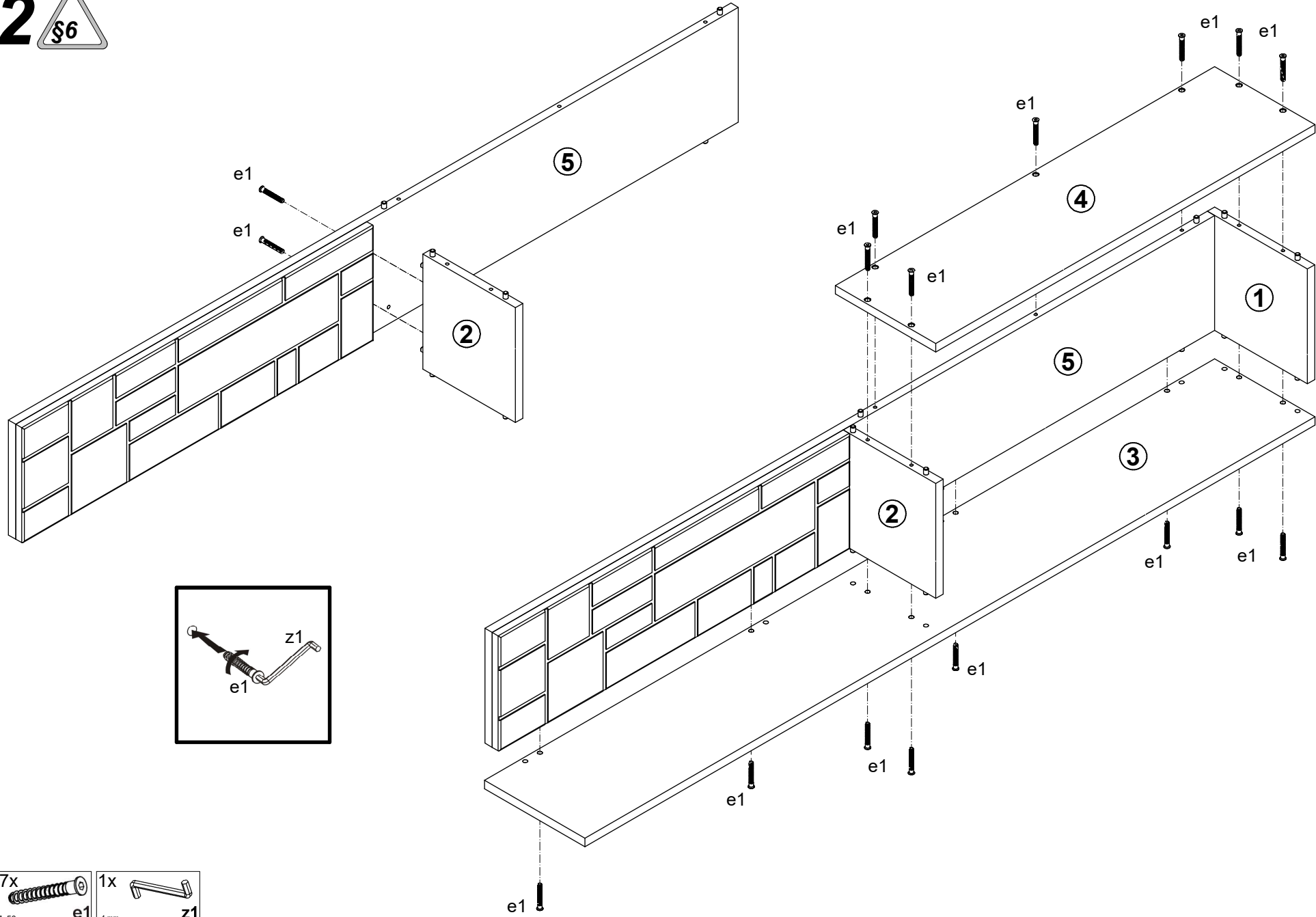
D
1/1

- 17x Ø7x50 mm **e1**
- 6x Ø5x11 mm **e4**
- 16x Ø8x30 mm **f1**
- 3x Ø10x50 mm **f35**
- 1x Ø6x30 mm **f50**
- 3x
- 6x Ø4x30 mm **p21**
- 1x Ø4x45 mm **p62**
- 3x Ø6x60 mm **p75**
- 16x Ø14x0,5 mm **s59**
- 2x
- 1x 4 mm **z1**

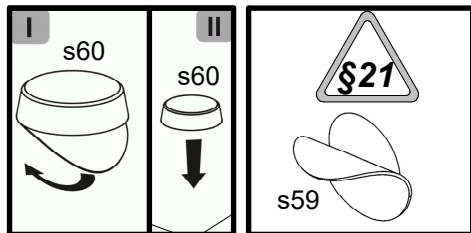
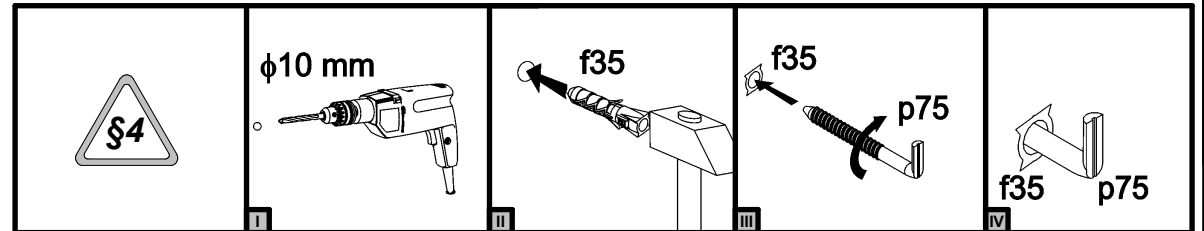
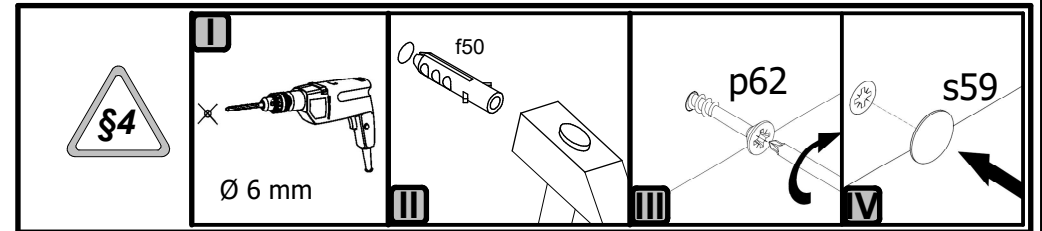
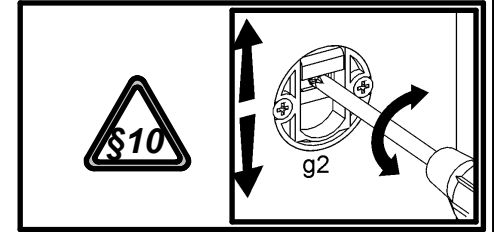
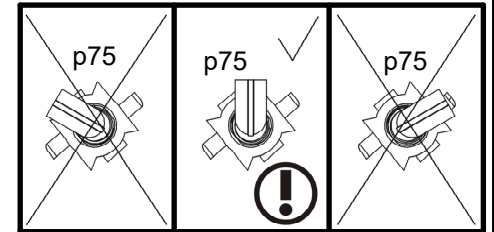
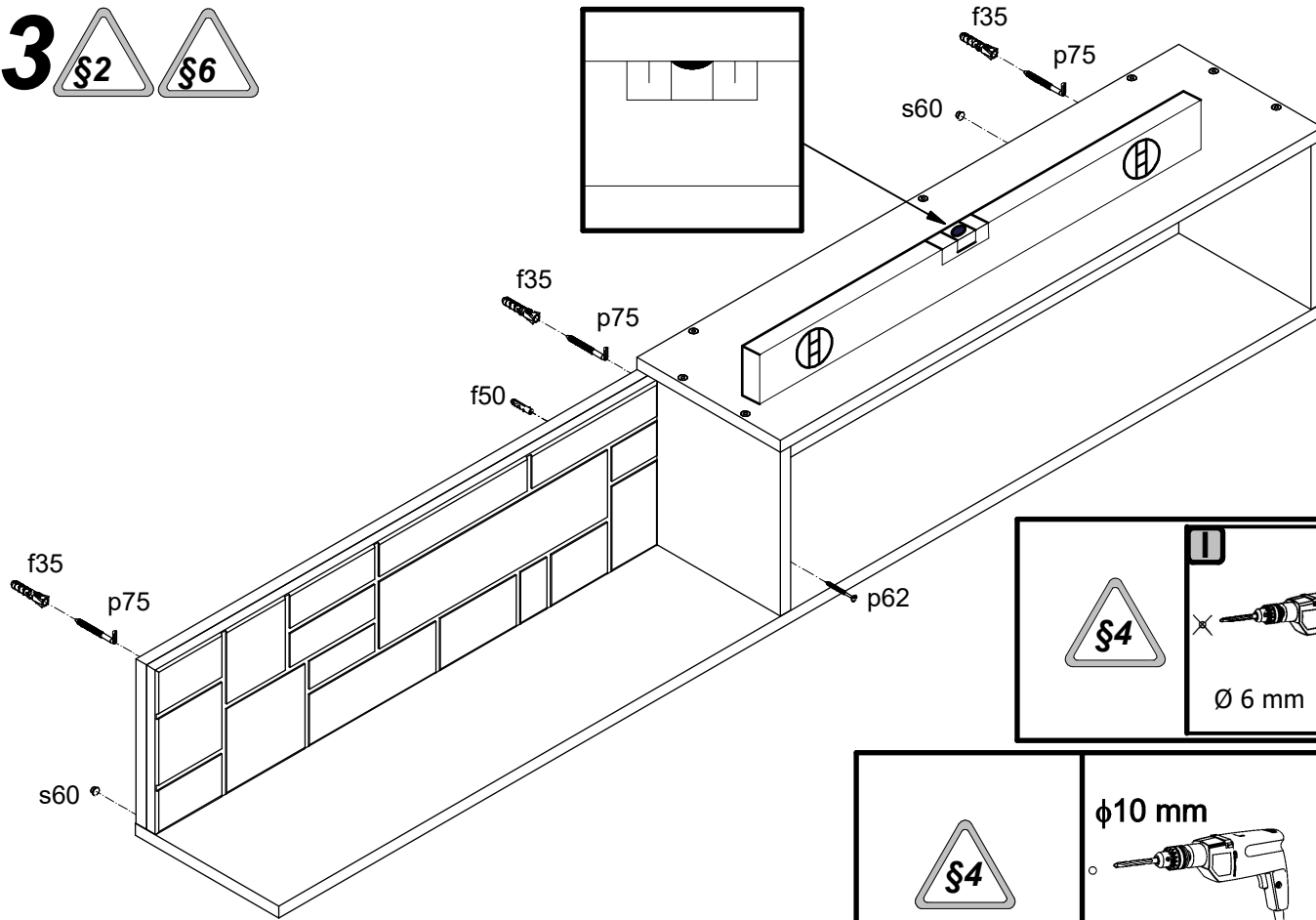


- 6x e4 Ø5x11 mm
- 16x f1 Ø8x30 mm
- 3x g2
- 6x p21 Ø4x30 mm

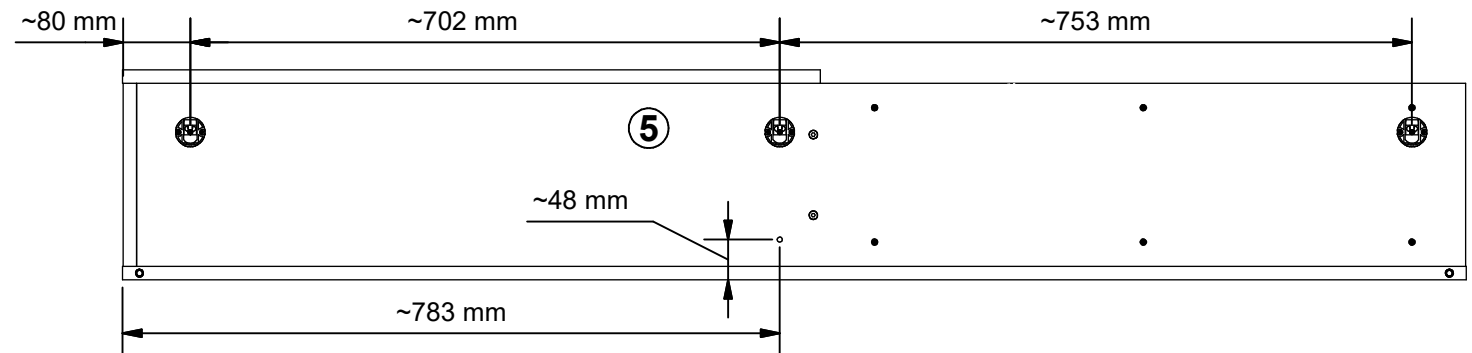
**2** §6



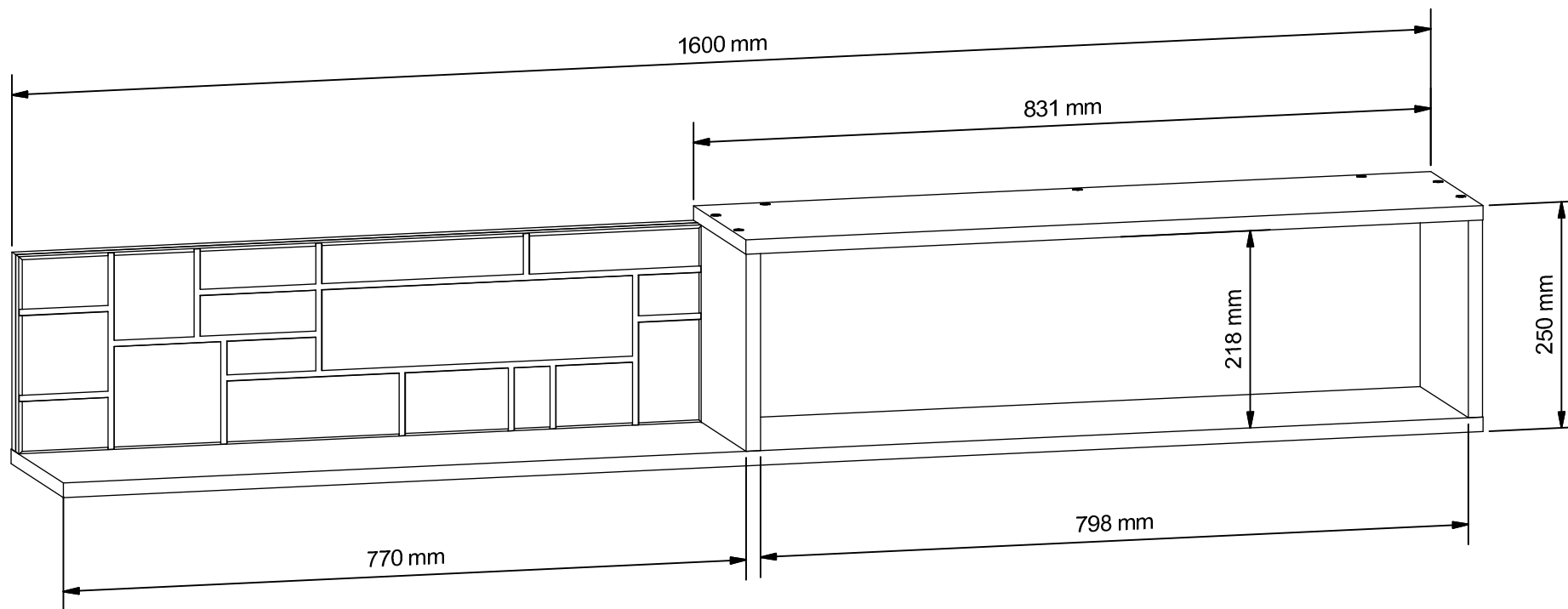
3  

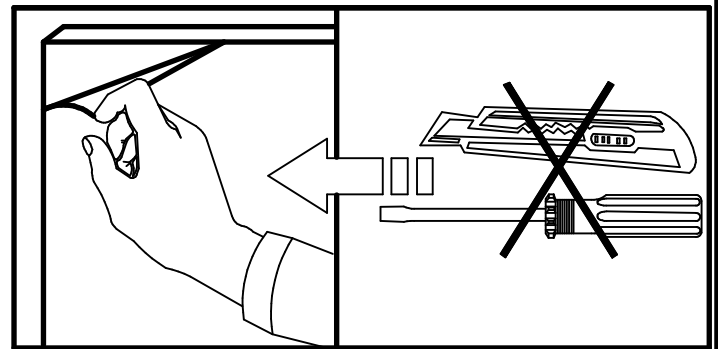
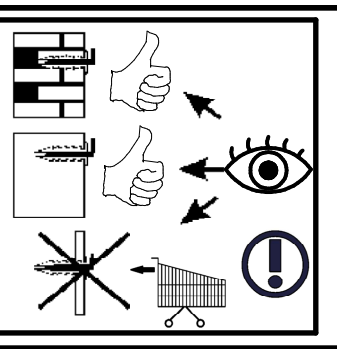
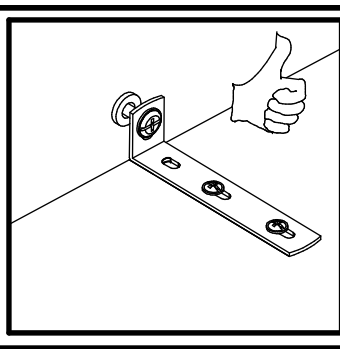
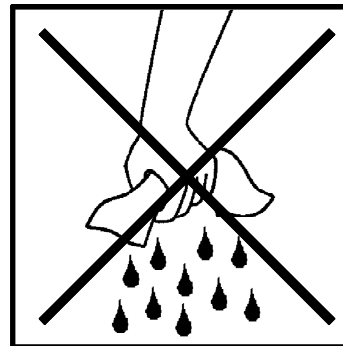
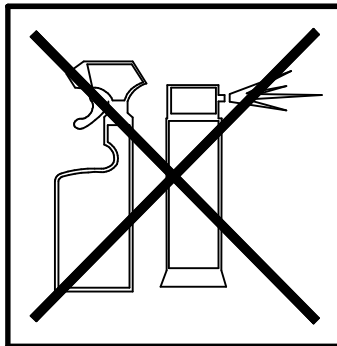
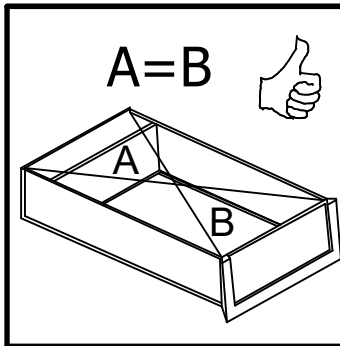
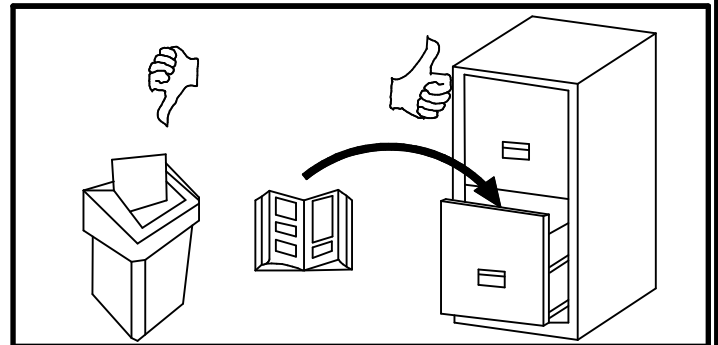
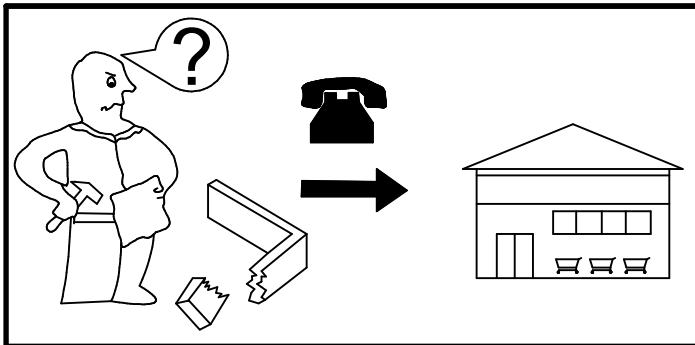
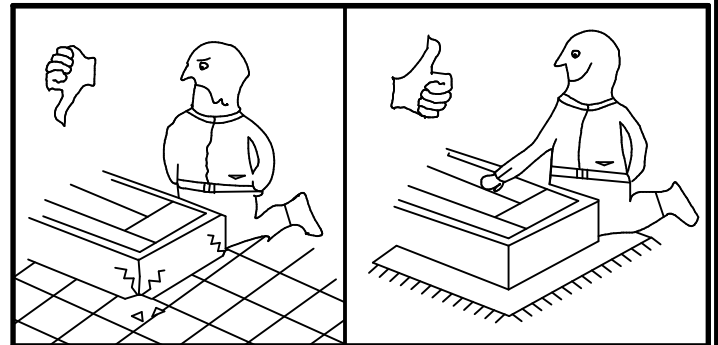
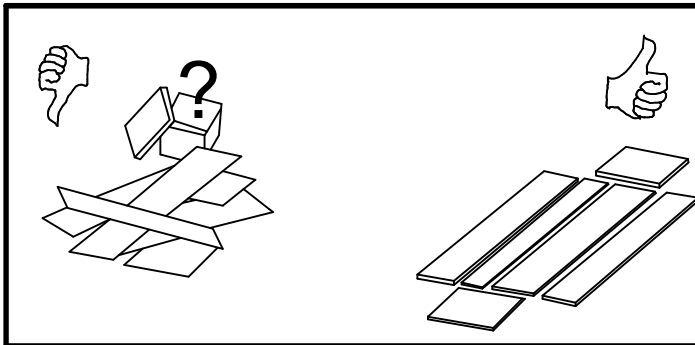
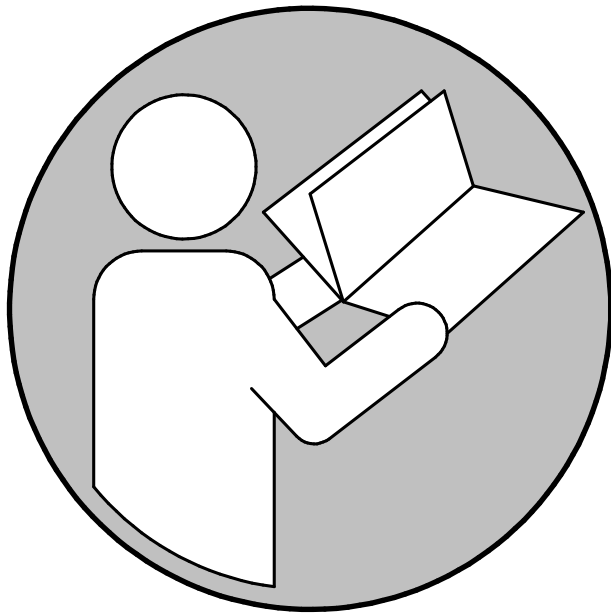


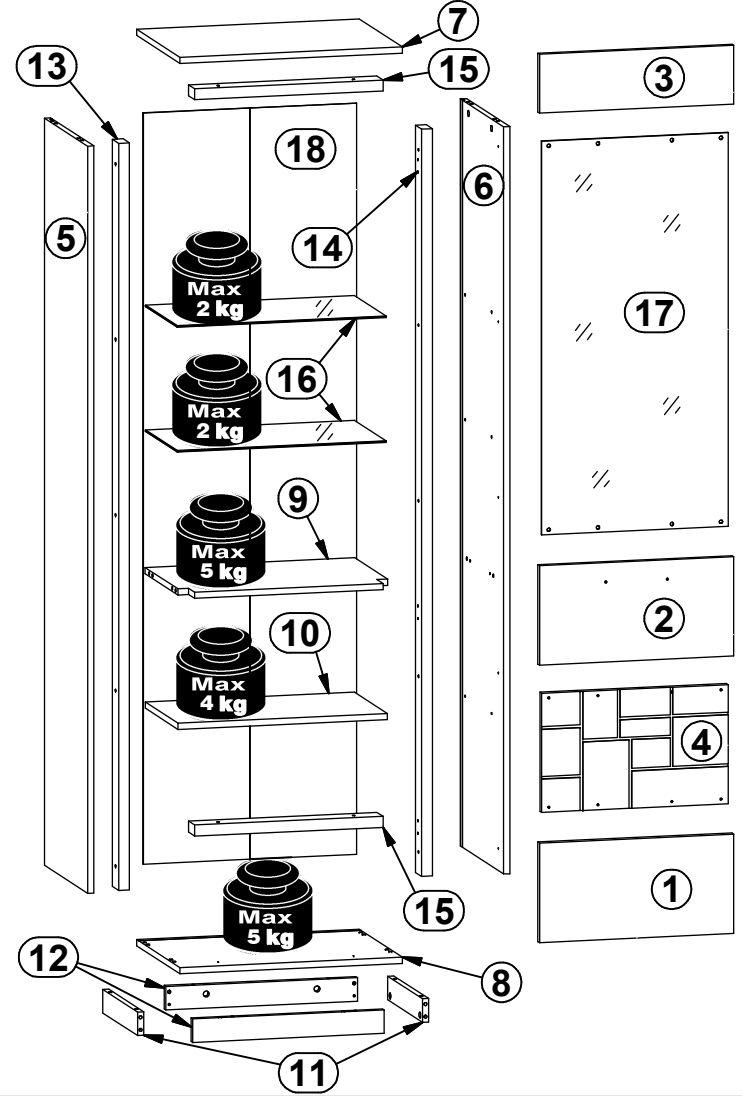
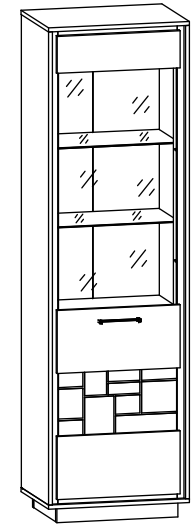
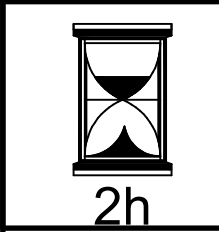
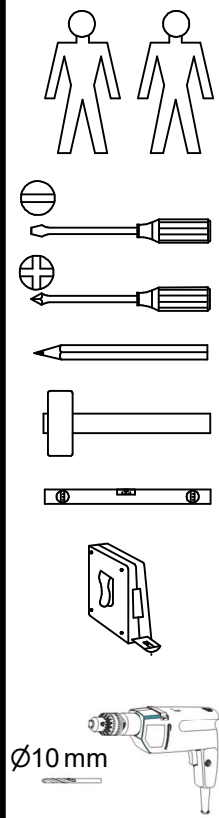
- |                               |                                 |                              |
|-------------------------------|---------------------------------|------------------------------|
| 3x<br>Ø10x50 mm<br><b>f35</b> | 1x<br>Ø6x30 mm<br><b>f50</b>    | 1x<br>Ø4x45 mm<br><b>p62</b> |
| 3x<br>Ø6x60 mm<br><b>p75</b>  | 16x<br>Ø14x0.5 mm<br><b>s59</b> | 2x<br><b>s60</b>             |



4







A	B	C (mm)			D
1	S605-0028	505	254	16	1/2
2	S605-0029	505	254	16	1/2
3	S605-0030	505	150	16	1/2
4	S605-0050	485	304	16	1/2
5	S605-1102	1907	420	16	2/2
6	S605-1103	1907	420	16	2/2
7	S605-2103	579	420	16	1/2
8	S605-2104	579	420	16	1/2
9	S605-3100	546	378	16	1/2
10	S605-3101	544	318	16	1/2
11	S605-4004	338	60	16	1/2
12	S605-4011	498	60	16	1/2
13	S605-4102	1907	60	28	2/2
14	S605-4103	1907	60	28	2/2
15	S605-4104	490	60	28	2/2
16	S605-5003	544	309	4	1/2
17	S605-5503	1005	485	4	1/2
18	S605-9320	1917	555	2,5	2/2

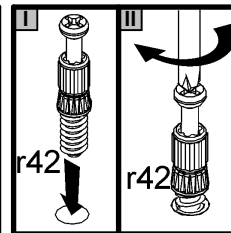
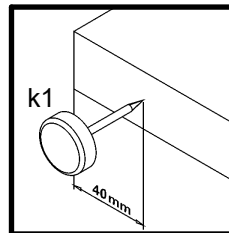
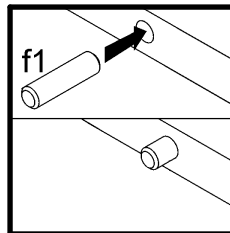
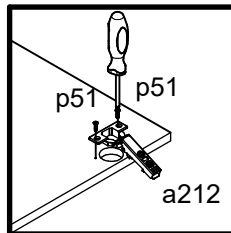
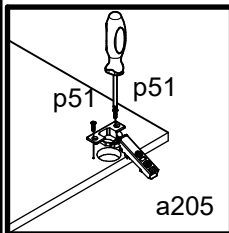
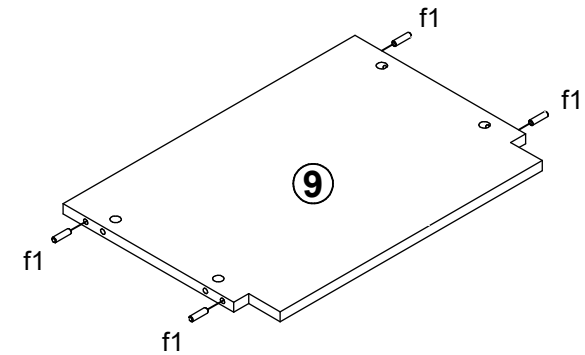
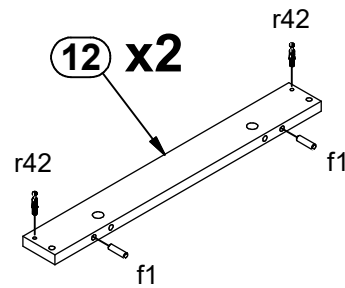
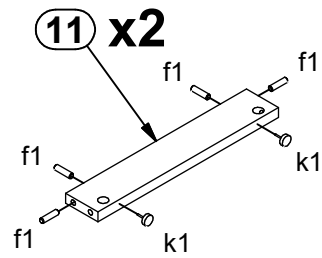
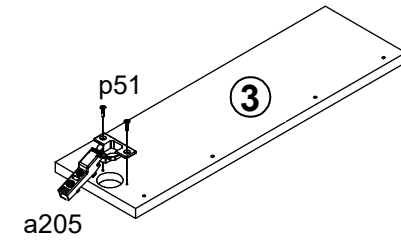
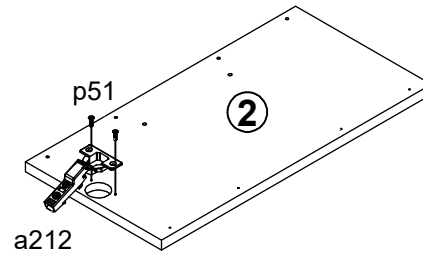
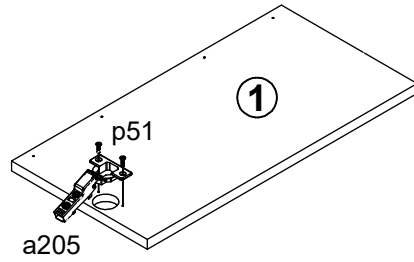


D
2/2

2x a205	1x a212	3x b92	1x c559/3	4x d1	8x d3	4x e1	8x e47	24x f1	1x f35	2x j30	4x k1	12x l2
1x n1412	8x o54	1x p17	8x p51	14x p64	8x p94	16x r1	16x r42	14x s59	4x s68	1x z1		

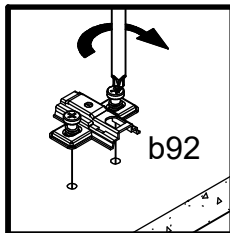
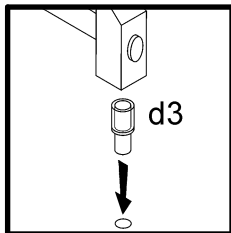
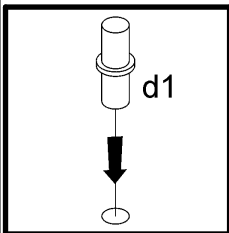
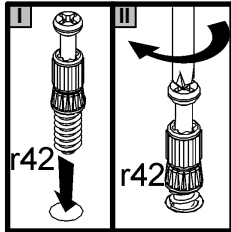
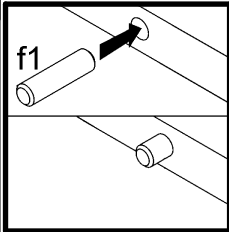
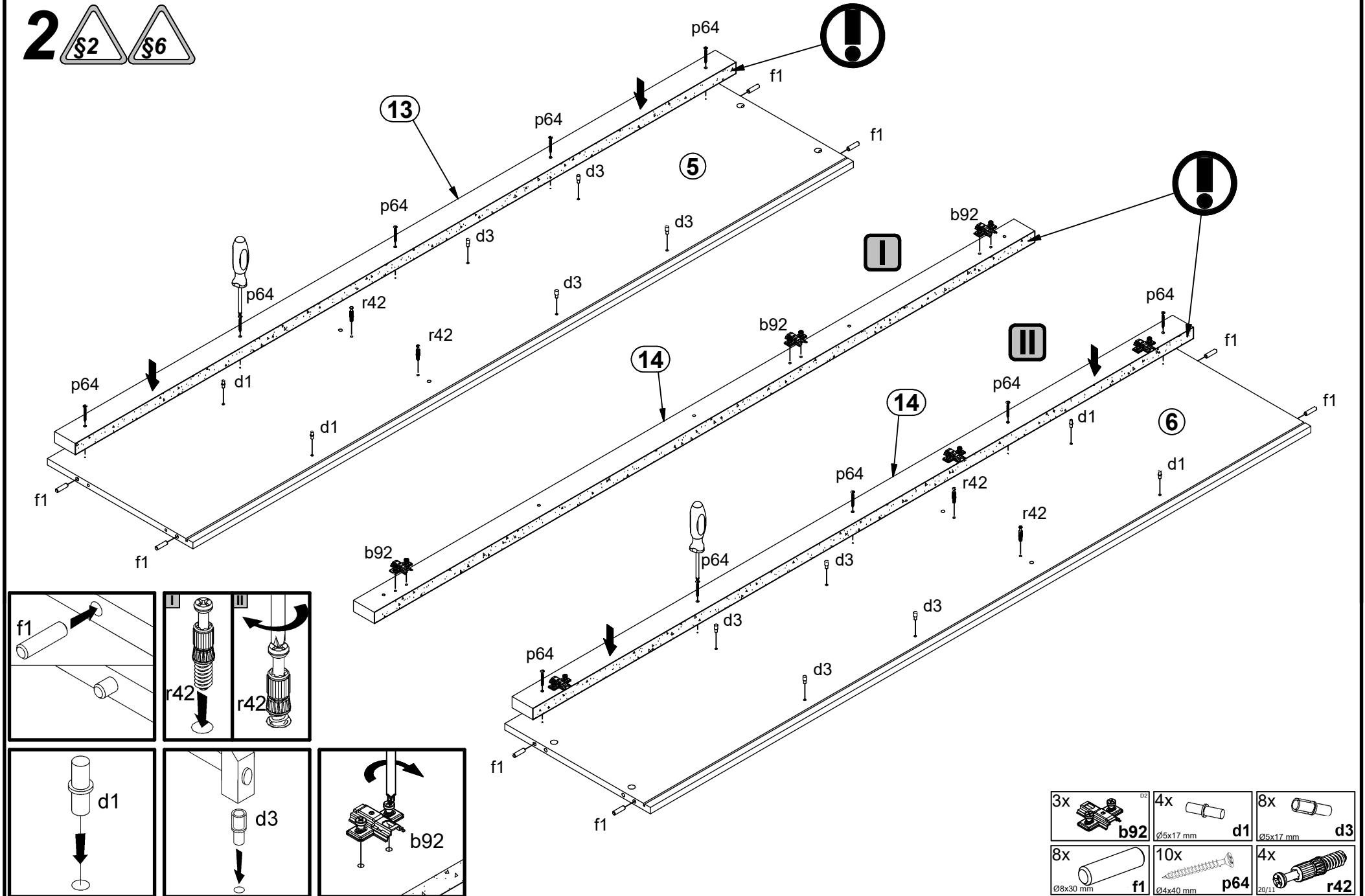



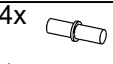
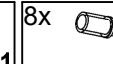
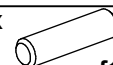
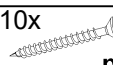

1 



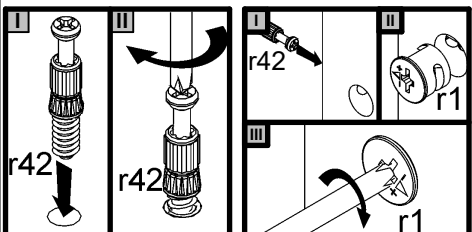
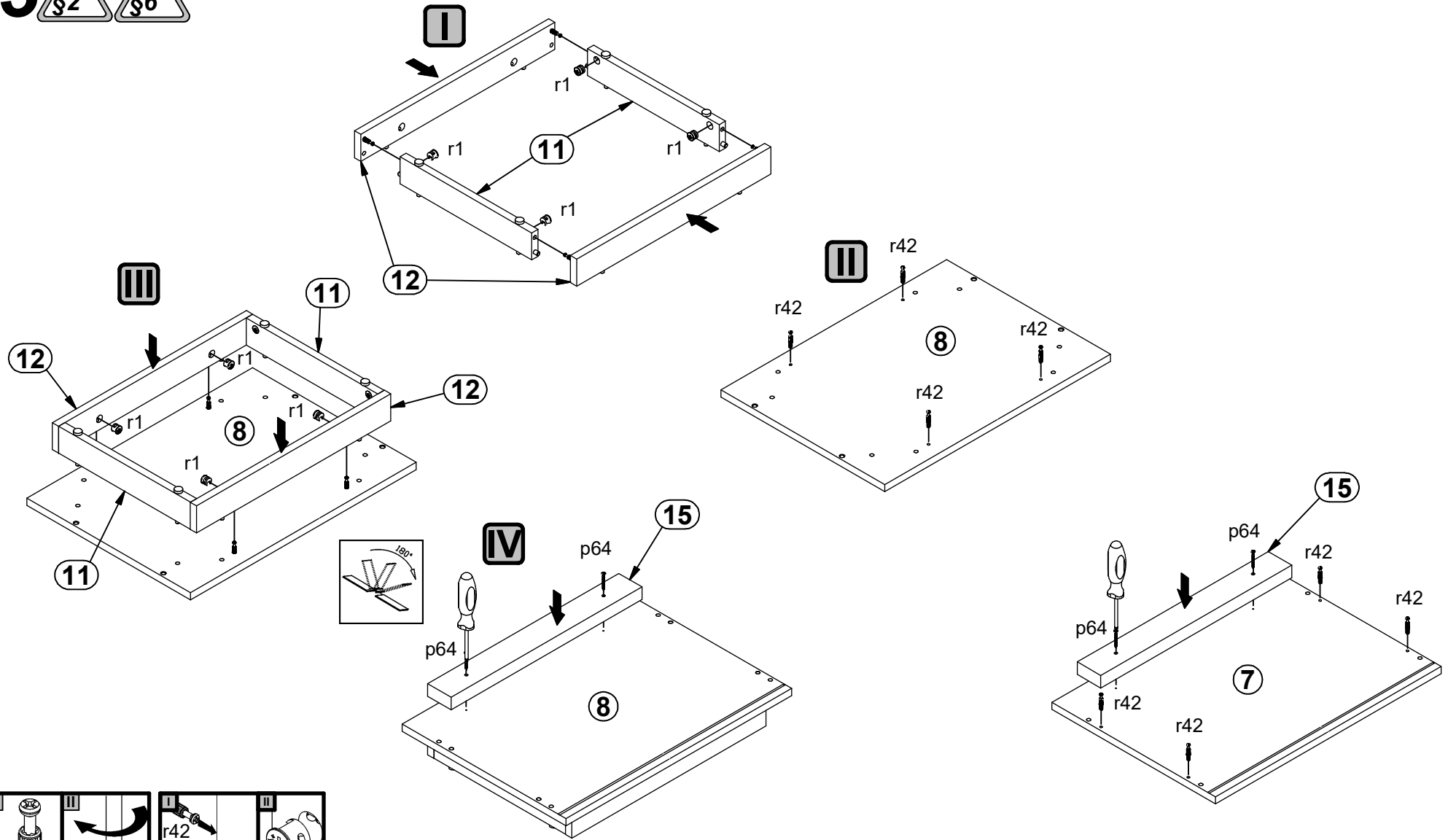
2x a205	1x a212	16x f1 Ø8x30 mm
4x k1	6x p51 Ø3.5x15 mm	4x r42



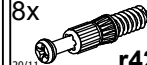
2  



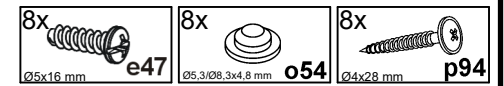
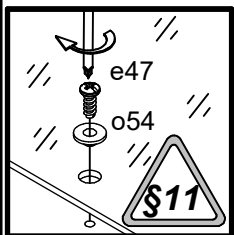
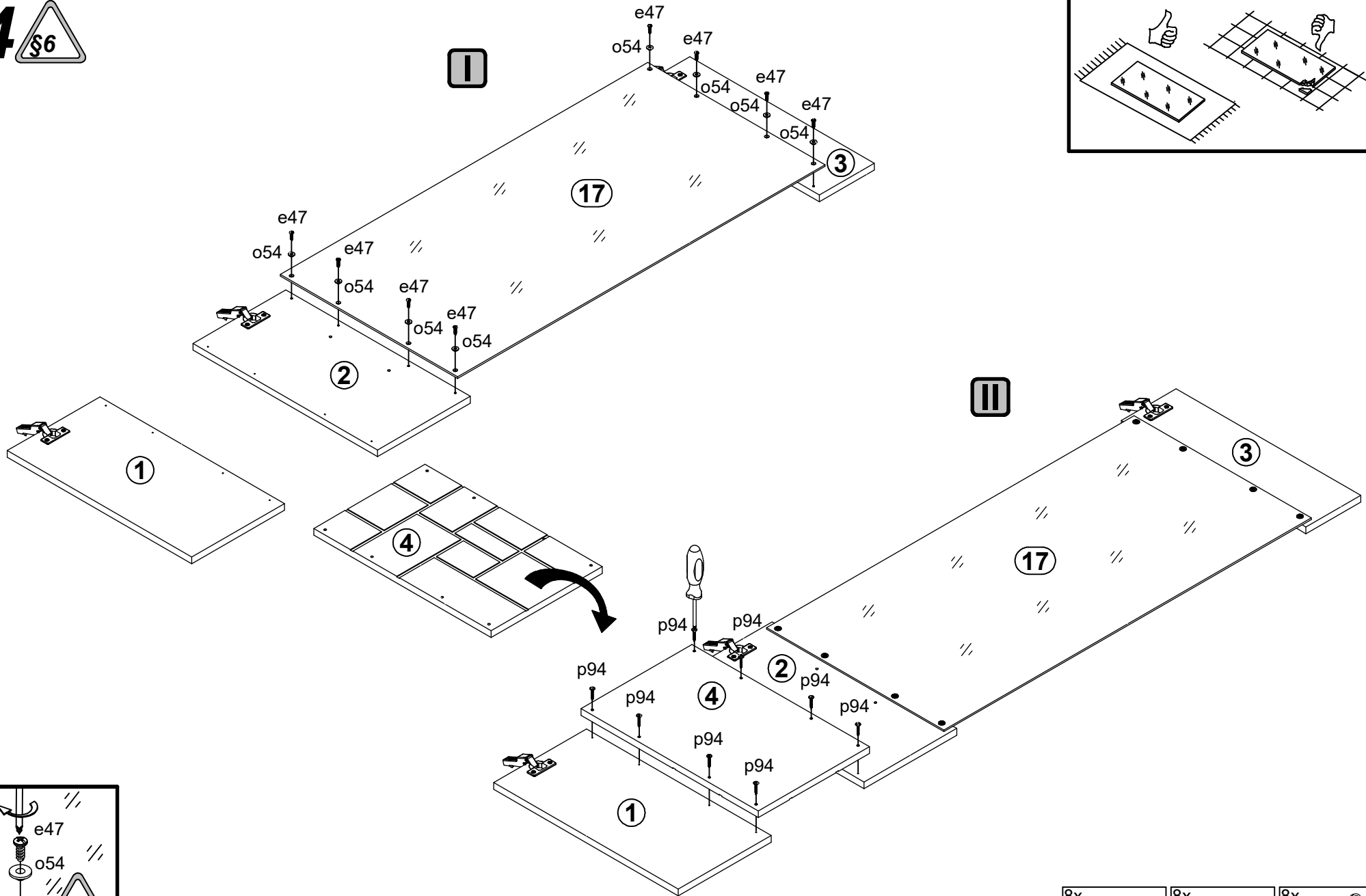
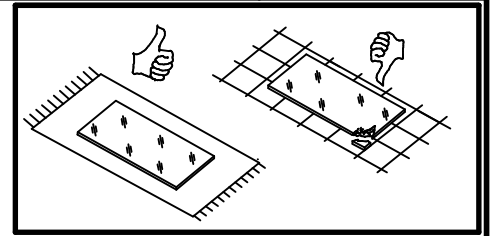
3x  <b>b92</b>	4x  <b>d1</b> Ø5x17 mm	8x  <b>d3</b> Ø5x17 mm
8x  <b>f1</b> Ø8x30 mm	10x  <b>p64</b> Ø4x40 mm	4x  <b>r42</b> 20/11

3  

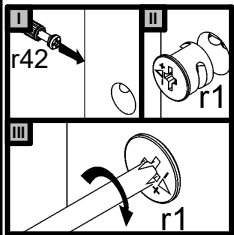
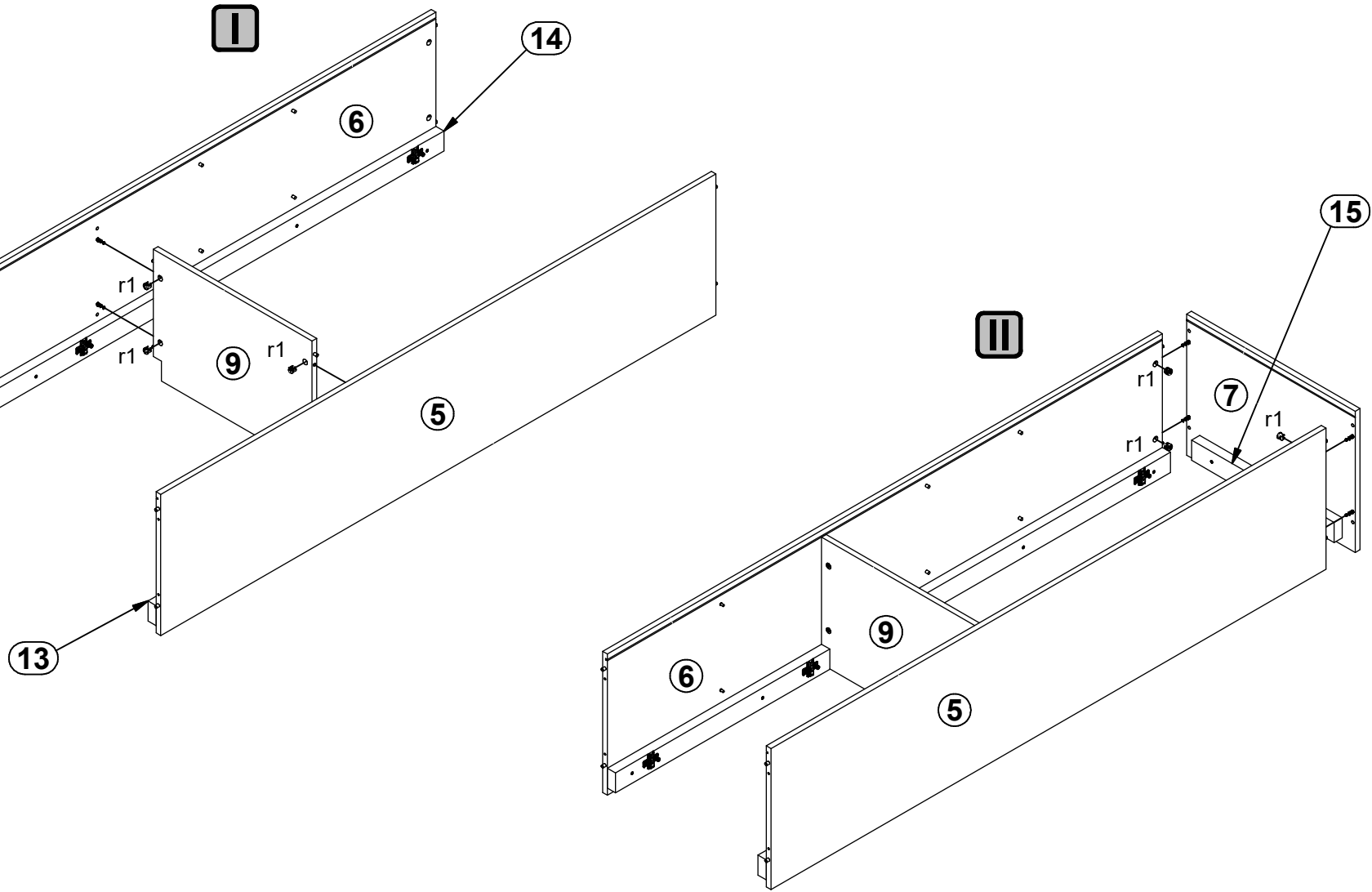



- 4x  **p64** Ø4x40 mm
- 8x  **r1** Ø15x12 mm #16
- 8x  **r42** 20/11

4 §6

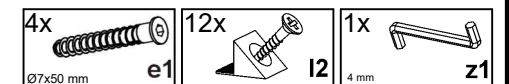
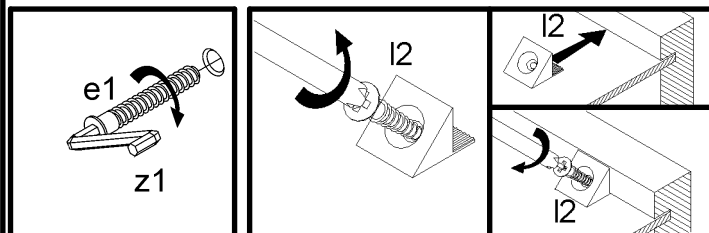
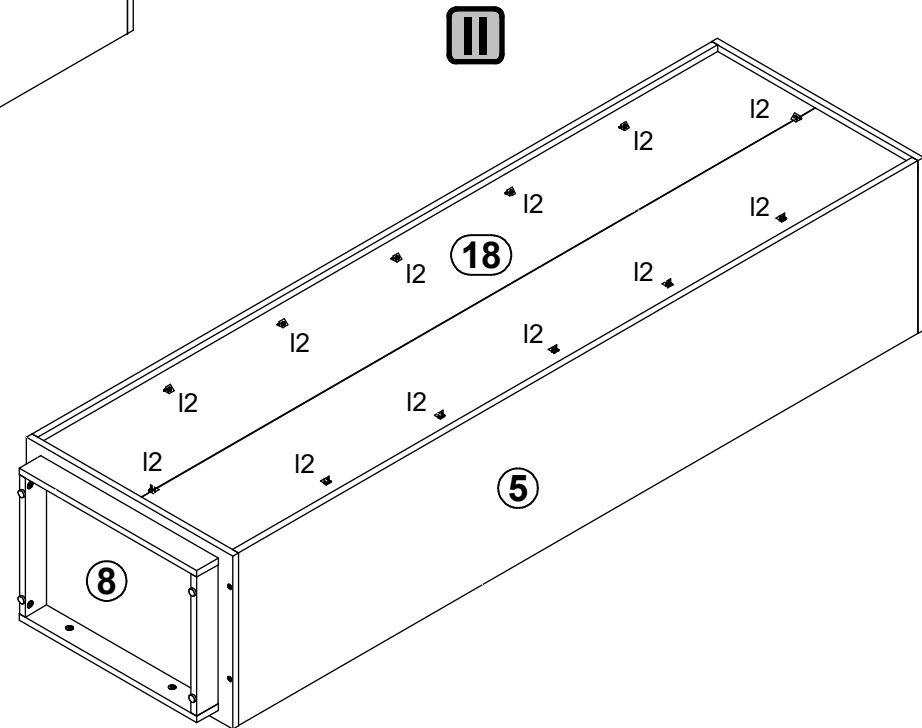
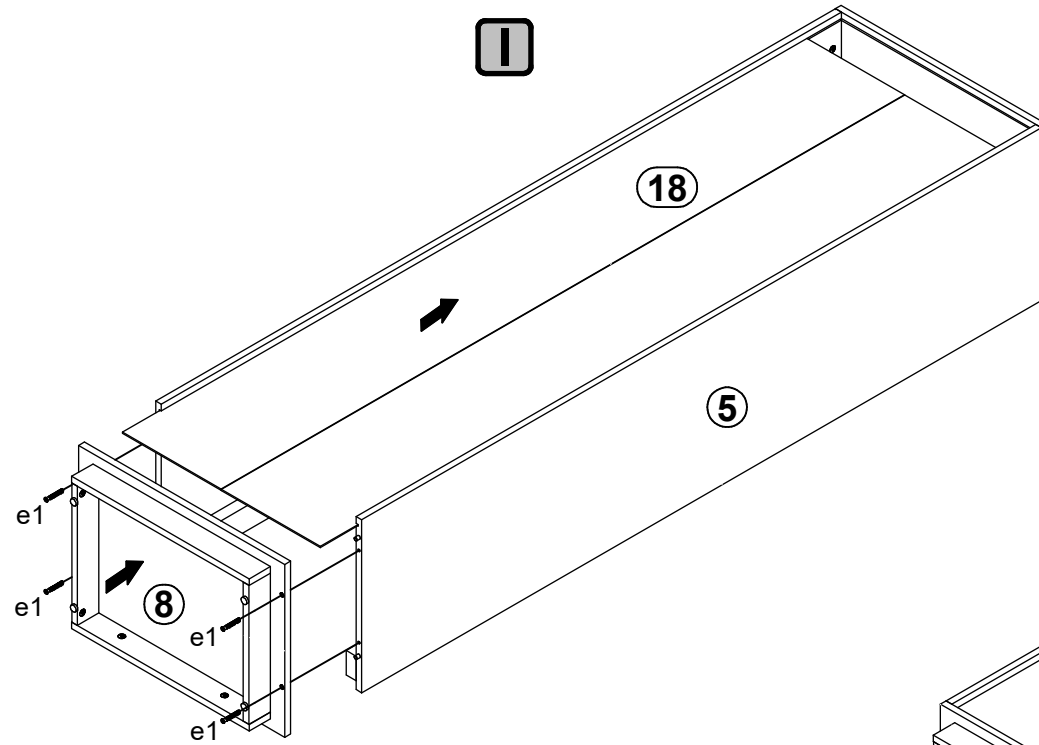
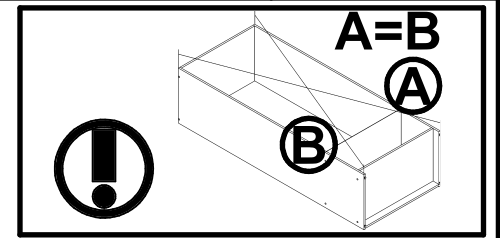


5 



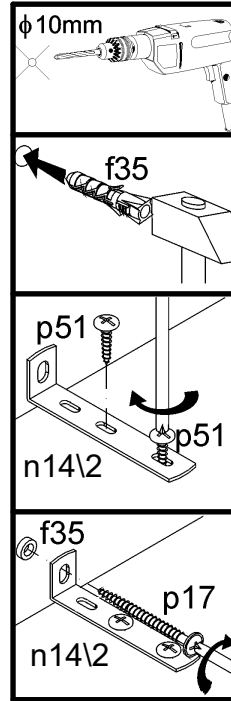
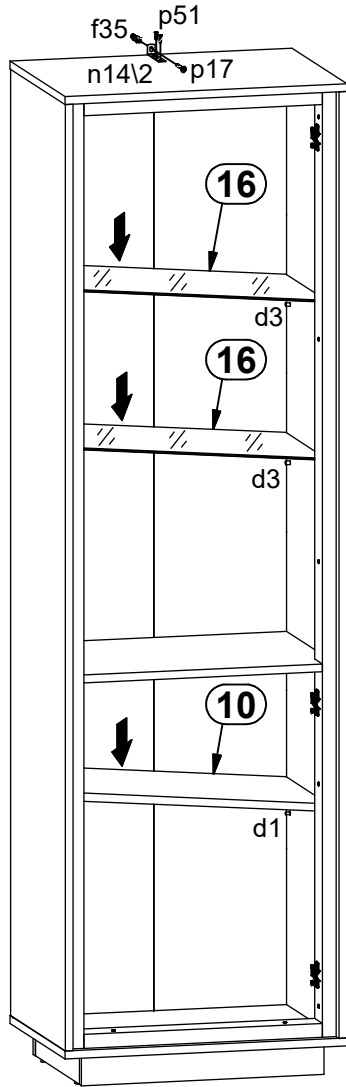
8x  r1  
Ø15x12 mm #16

6 

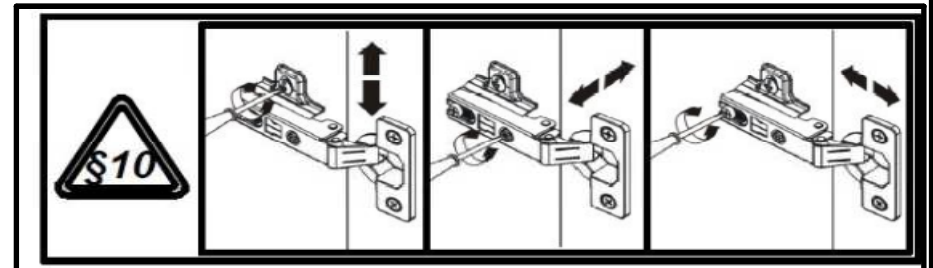
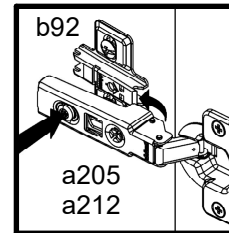
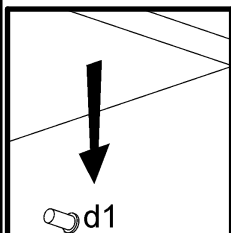
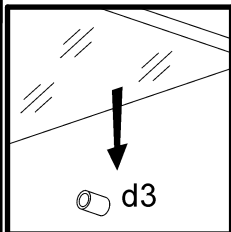
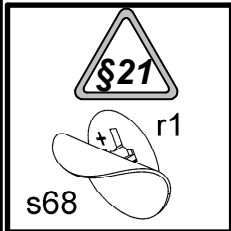
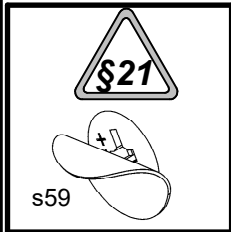
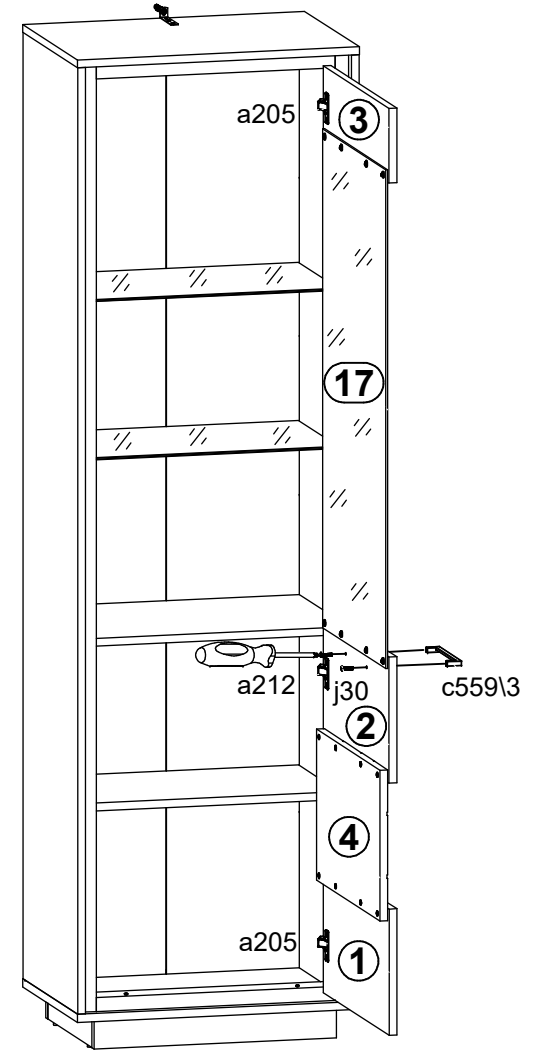


7

I

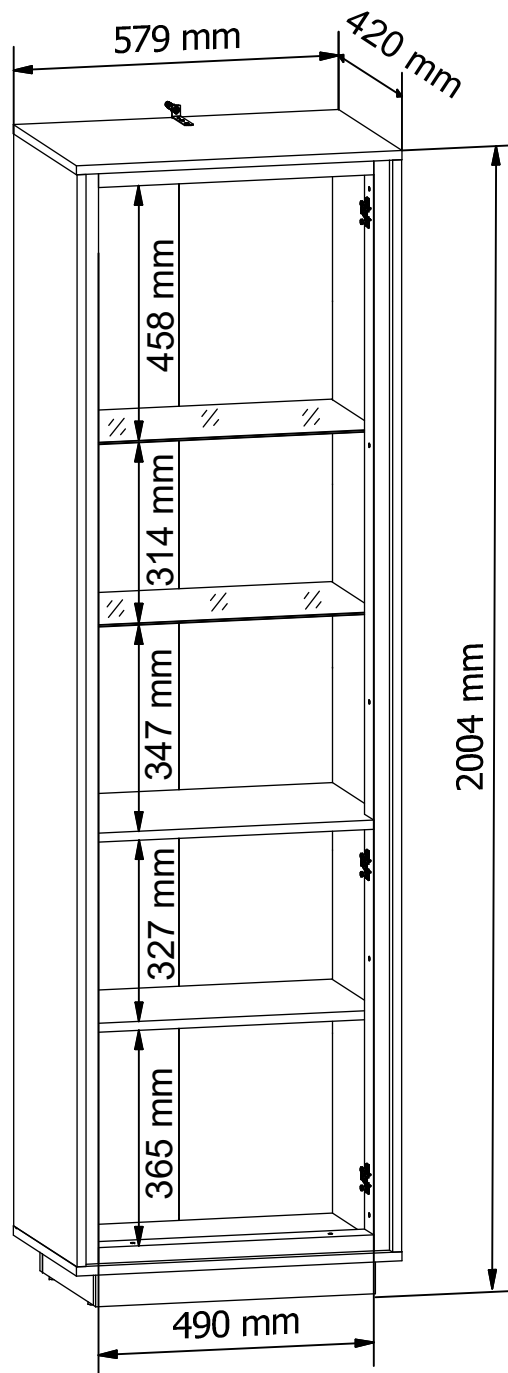


II

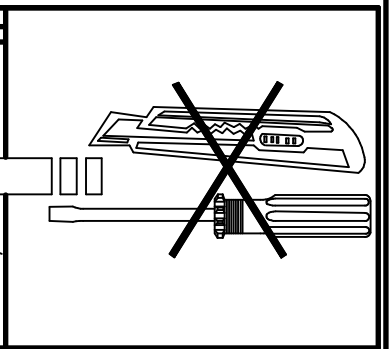
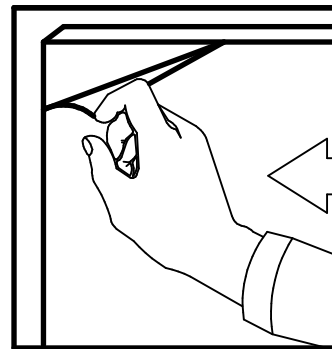
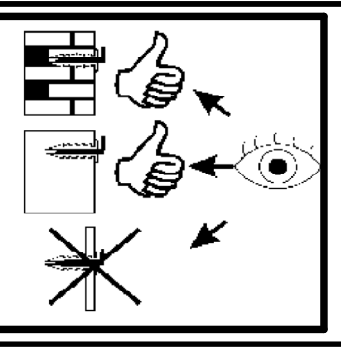
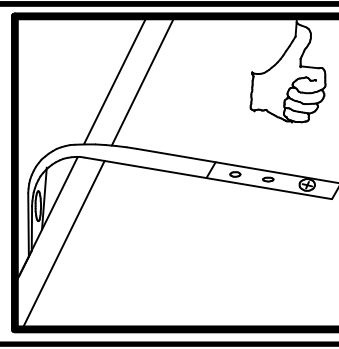
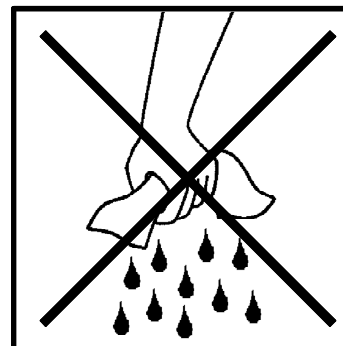
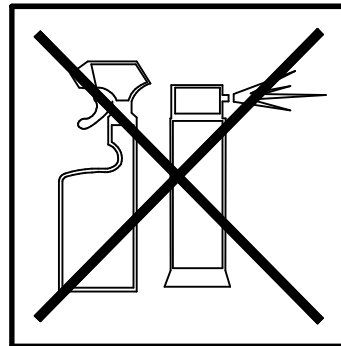
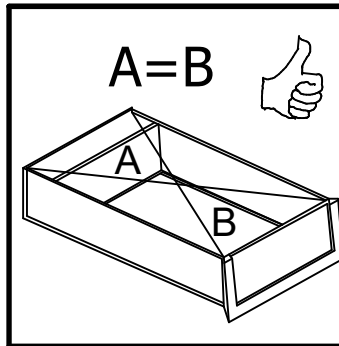
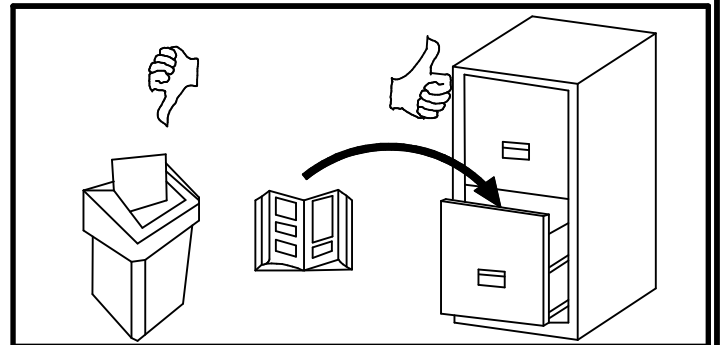
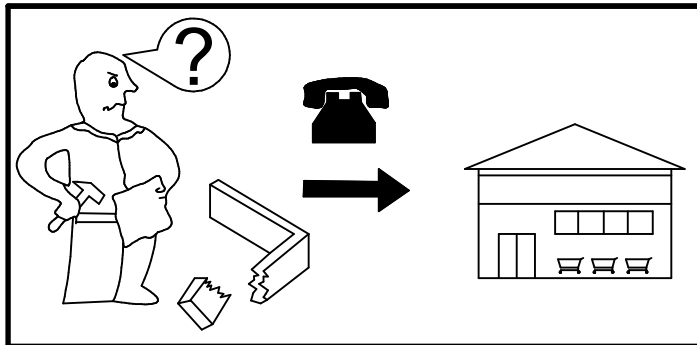
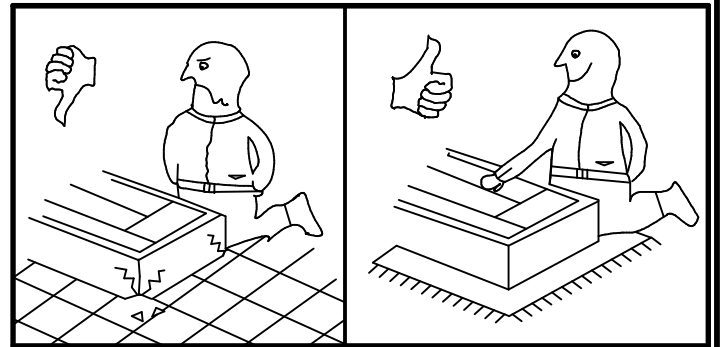
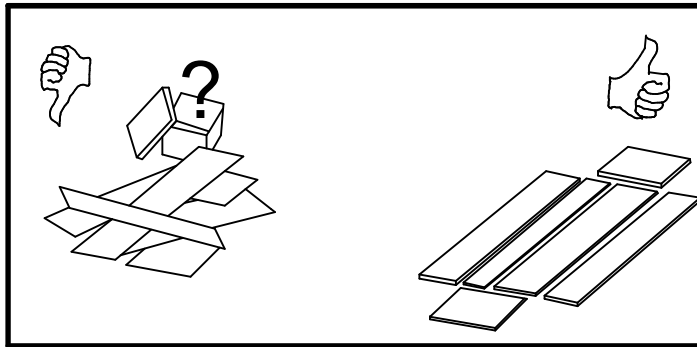
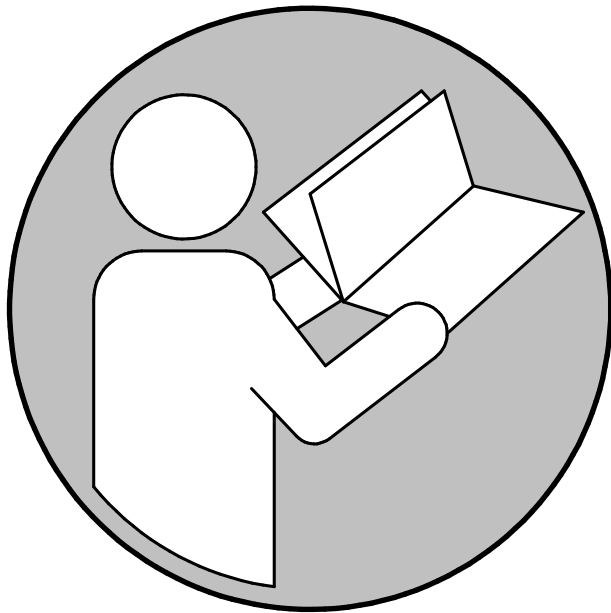


- |            |         |          |           |
|------------|---------|----------|-----------|
| 1x  c559\3 | 1x  f35 | 2x  j30  | 1x  n14\2 |
| 1x  p17    | 2x  p51 | 14x  s59 | 4x  s68   |

8

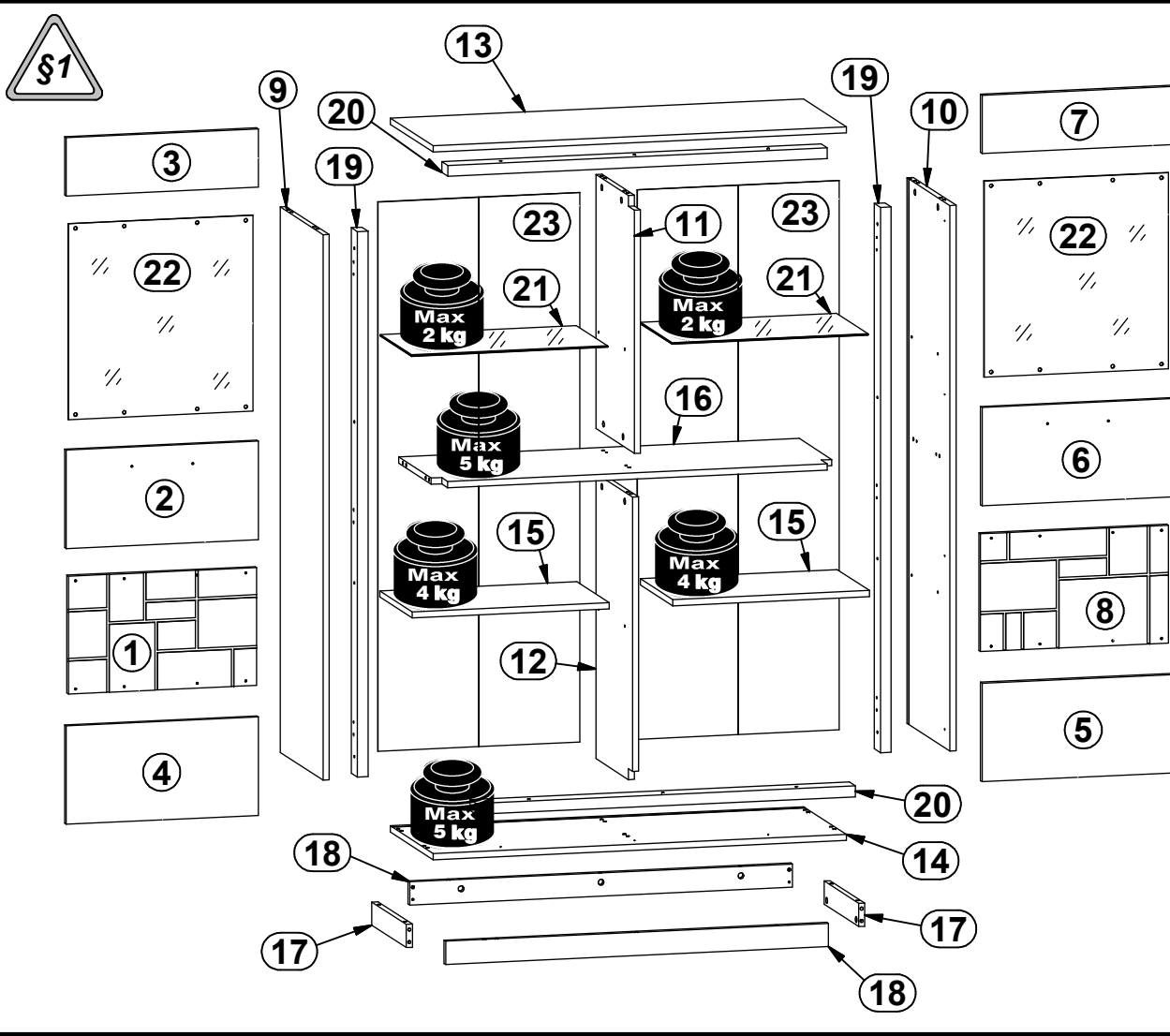




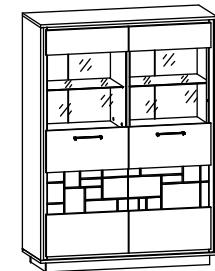


Ø10mm

2h

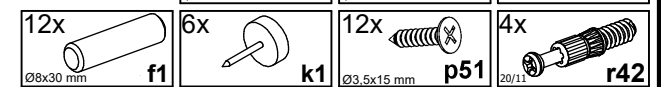
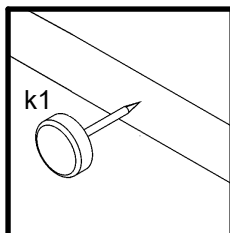
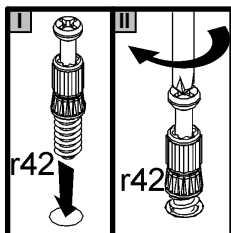
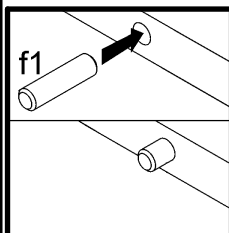
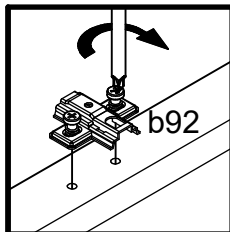
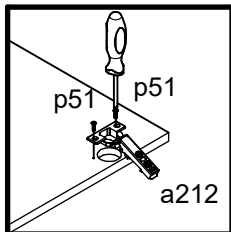
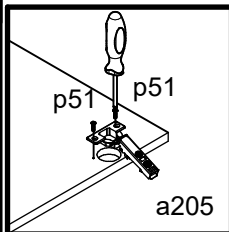
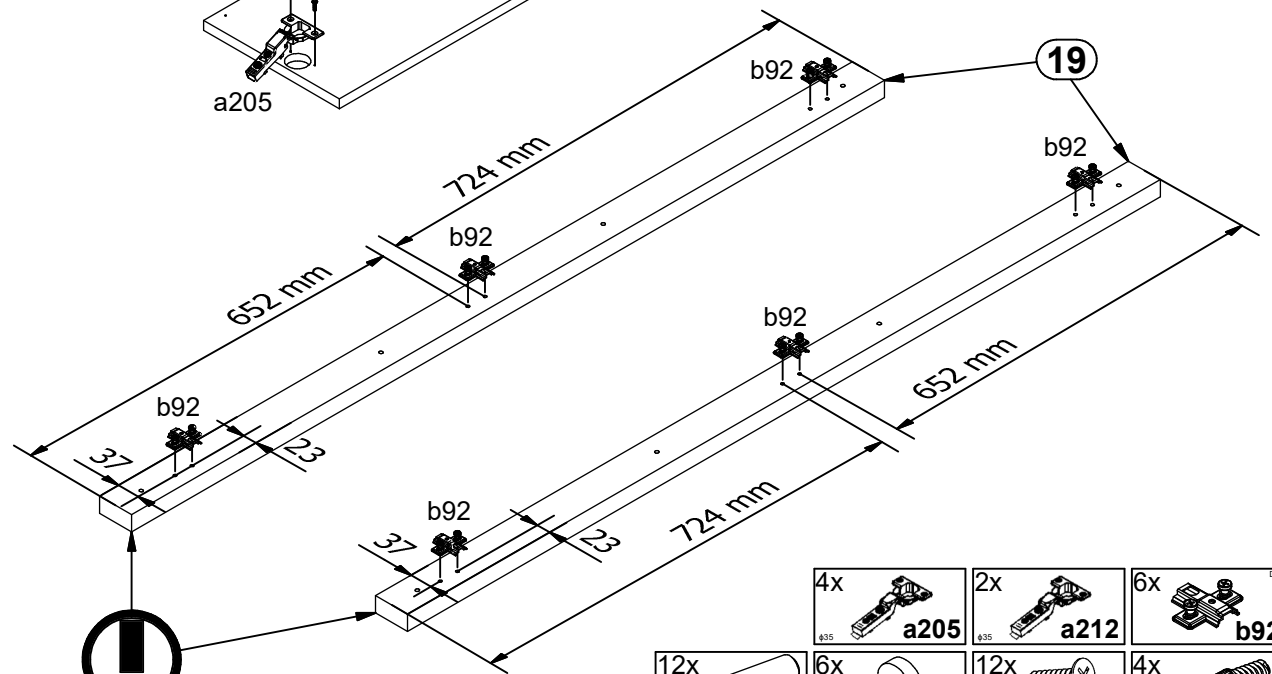
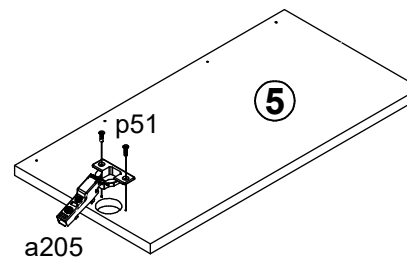
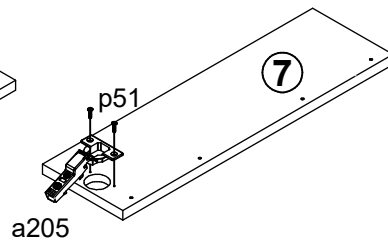
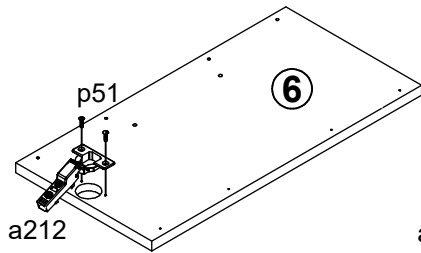
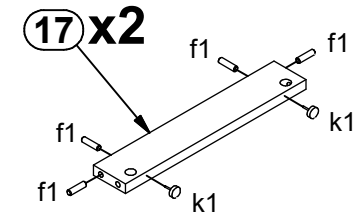
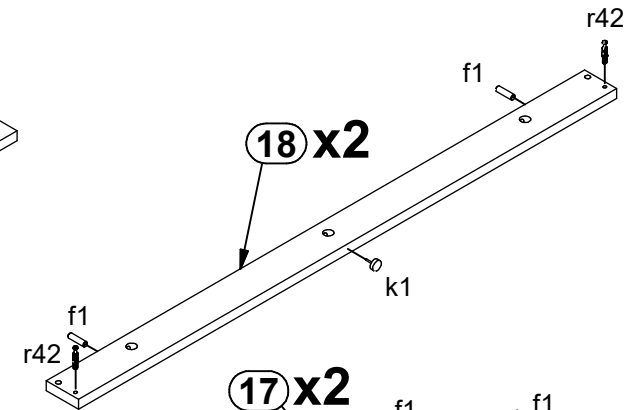
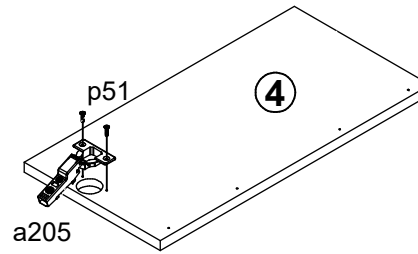
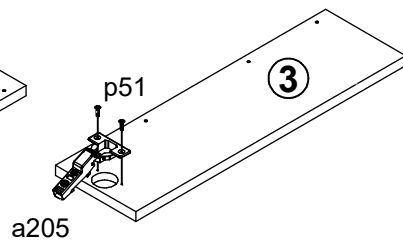
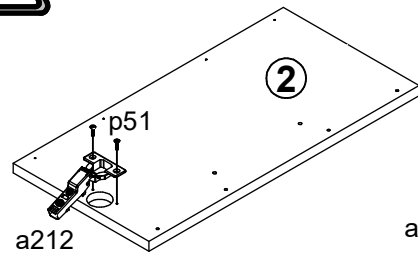


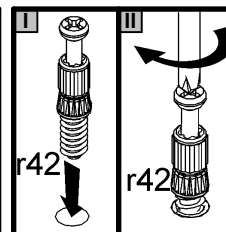
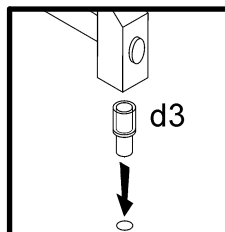
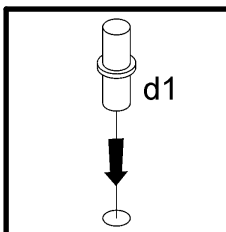
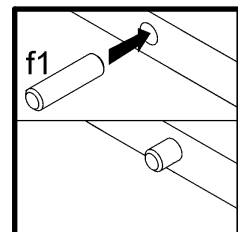
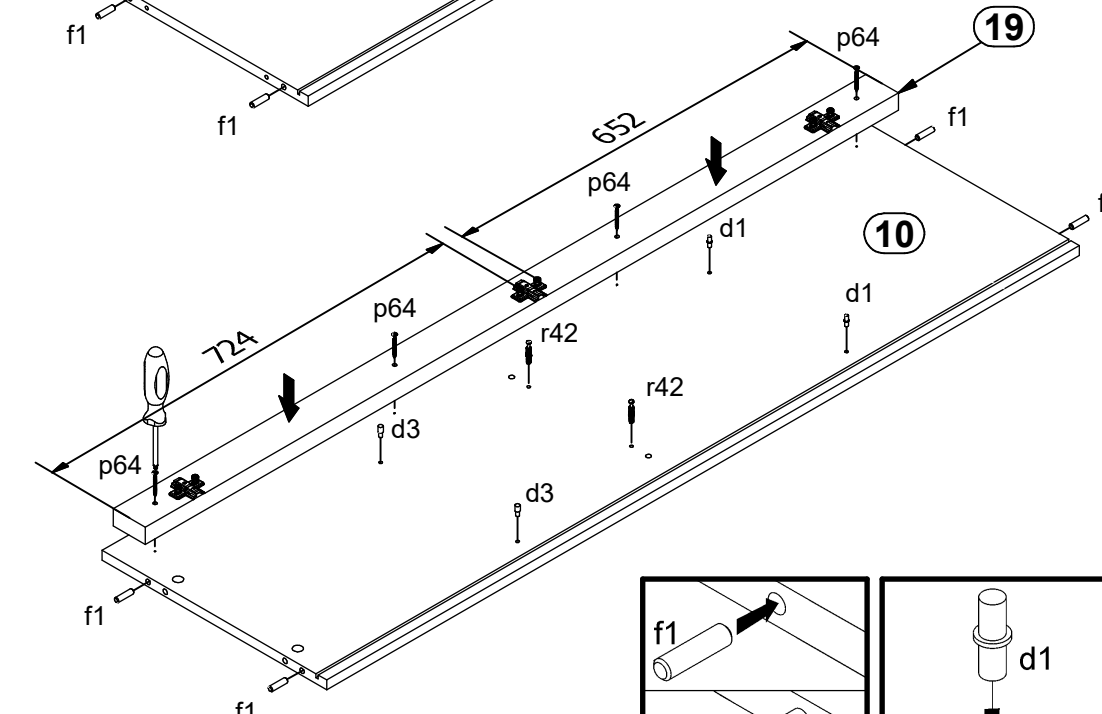
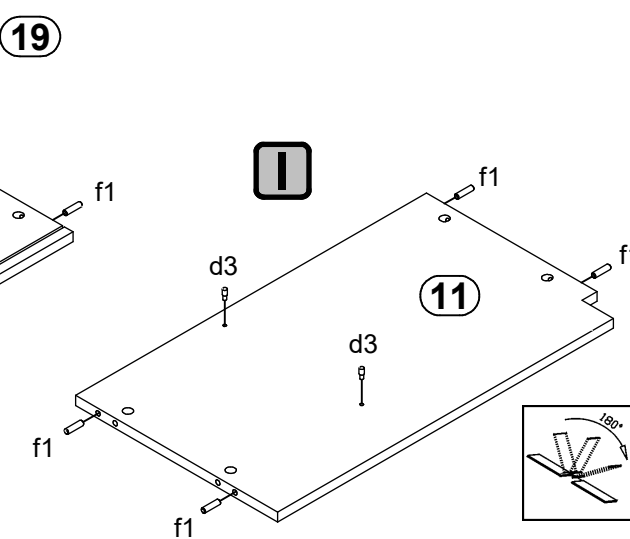
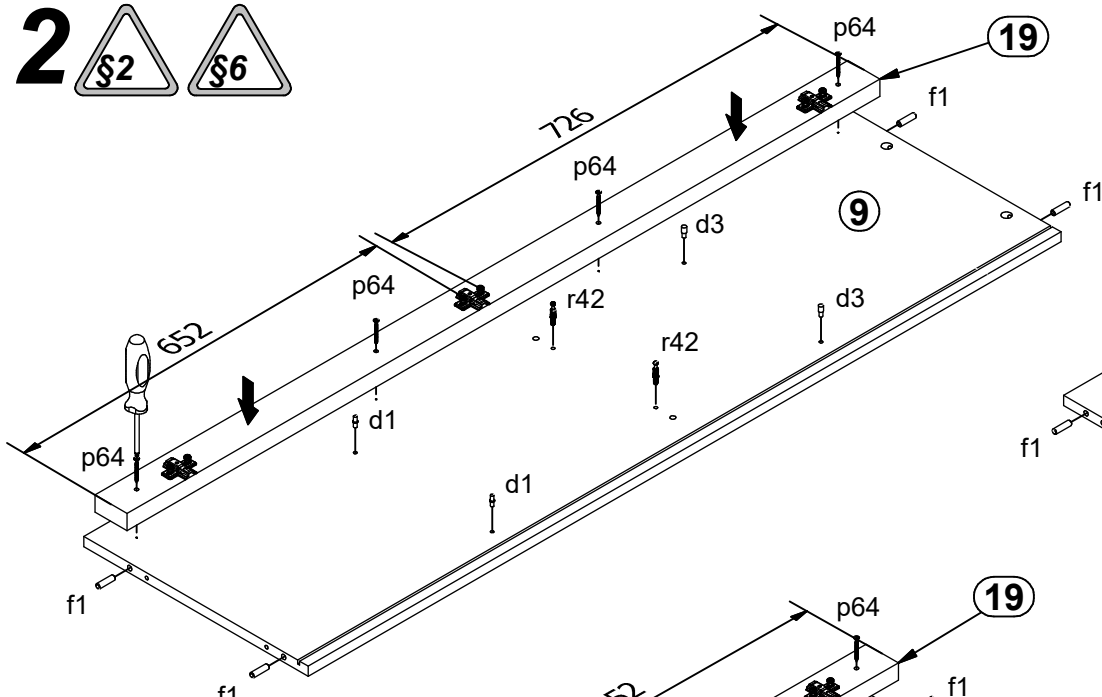
A	B	C (mm)			D
1	S605-0009	495	304	16	1/4
2	S605-0023	505	254	16	1/4
3	S605-0024	505	150	16	1/4
4	S605-0026	505	254	16	1/4
5	S605-0028	505	254	16	1/4
6	S605-0029	505	254	16	1/4
7	S605-0030	505	150	16	1/4
8	S605-0039	495	304	16	1/4
9	S605-1022	1408	420	16	3/4
10	S605-1023	1408	420	16	3/4
11	S605-1024	656	378	16	4/4
12	S605-1025	736	359	16	4/4
13	S605-2007	1087	420	16	3/4
14	S605-2008	1087	420	16	3/4
15	S605-3008	518	318	16	4/4
16	S605-3010	1054	378	16	4/4
17	S605-4004	338	60	16	1/4
18	S605-4014	1007	60	16	4/4
19	S605-4015	1408	60	28	3/4
20	S605-4016	998	60	28	4/4
21	S605-5002	517	309	4	4/4
22	S605-5502	485	506	4	2/4
23	S605-9308	1418	531	2,5	3/4



D
4/4

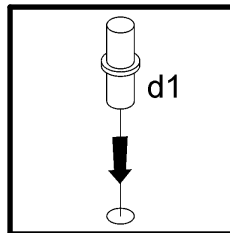
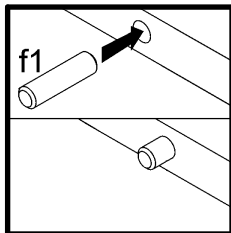
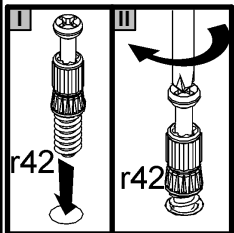
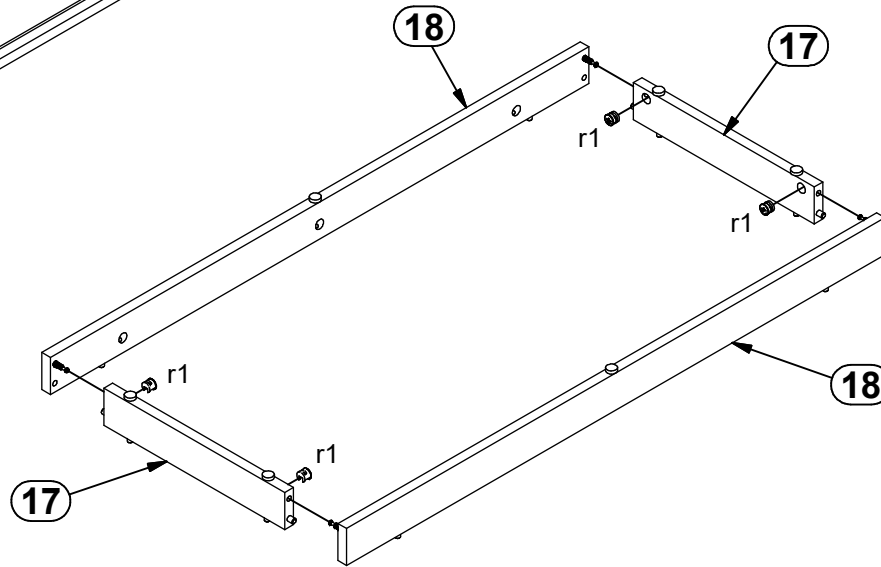
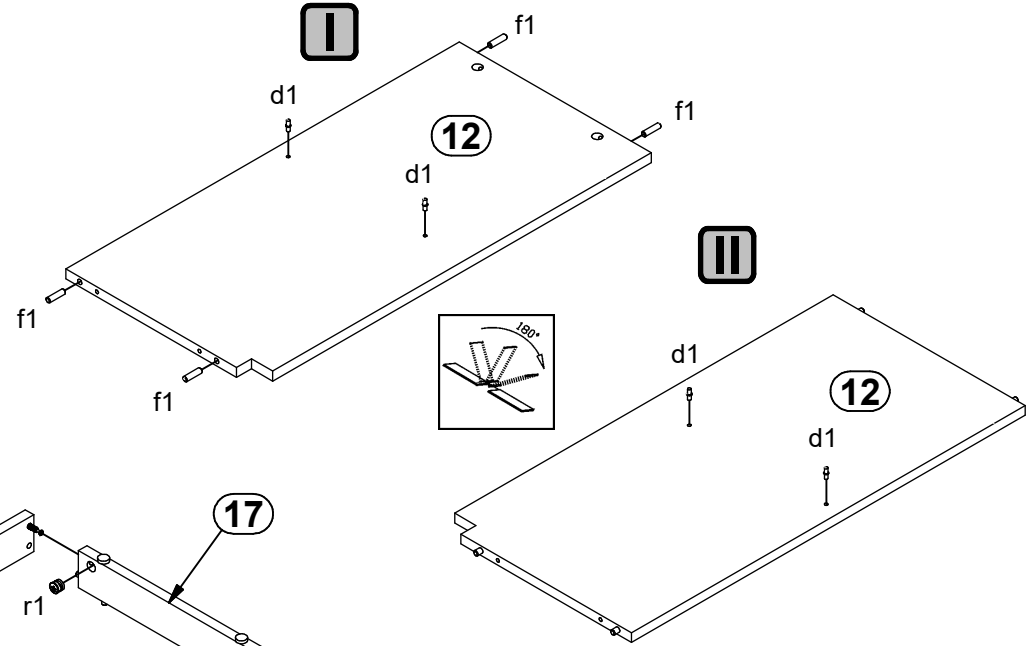
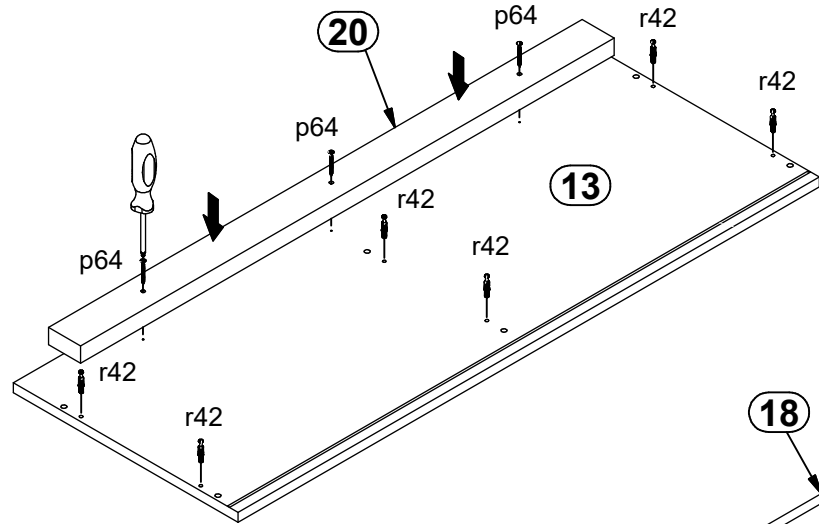
4x a205	2x a212	6x b92	2x c559/3	8x d1	8x d3	6x e1	16x e47	32x f1	4x j30	6x k1	10x l2	1x n26
7x n108	16x o54	1x p38	12x p51	13x p55	14x p64	16x p94	24x r1	24x r42	12x s59	10x s68	1x z1	



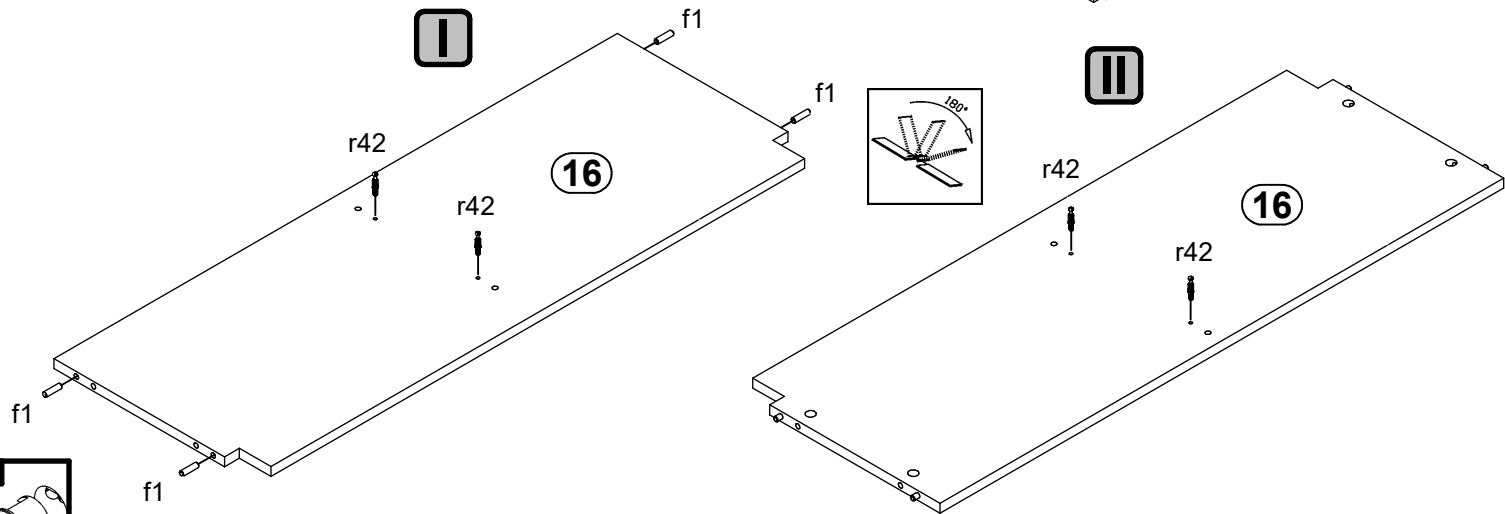
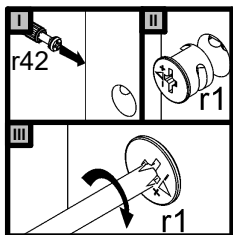
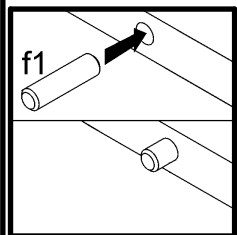
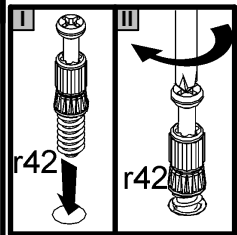
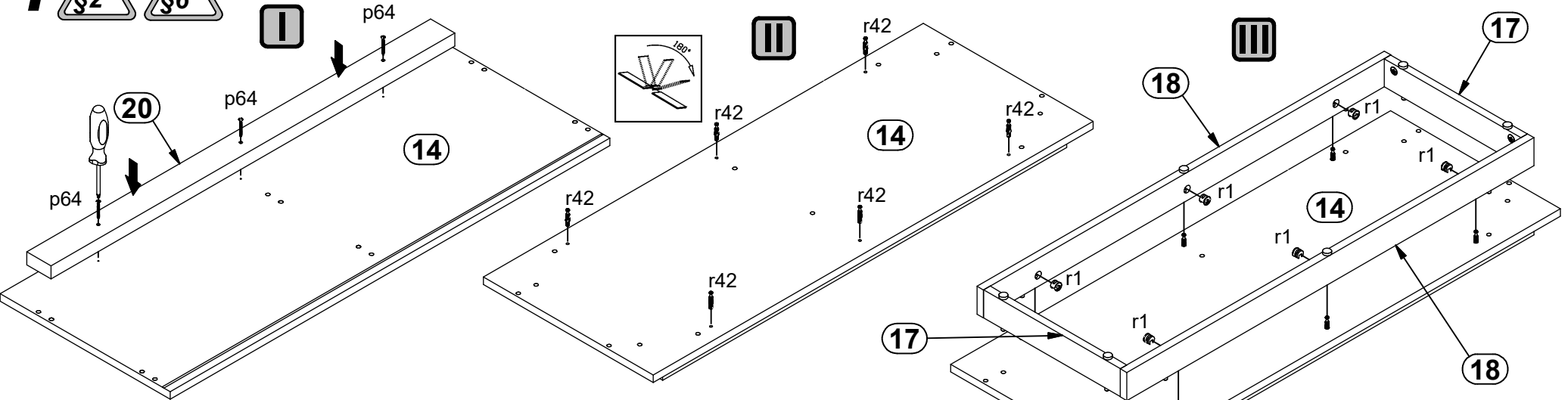


4x Ø5x17 mm d1	8x Ø5x17 mm d3
12x Ø8x30 mm f1	8x Ø4x40 mm p64
	4x 20/1.1 r42

**3**  

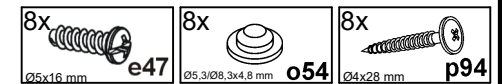
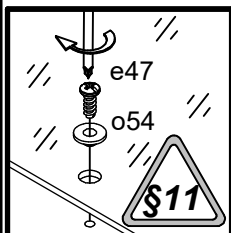
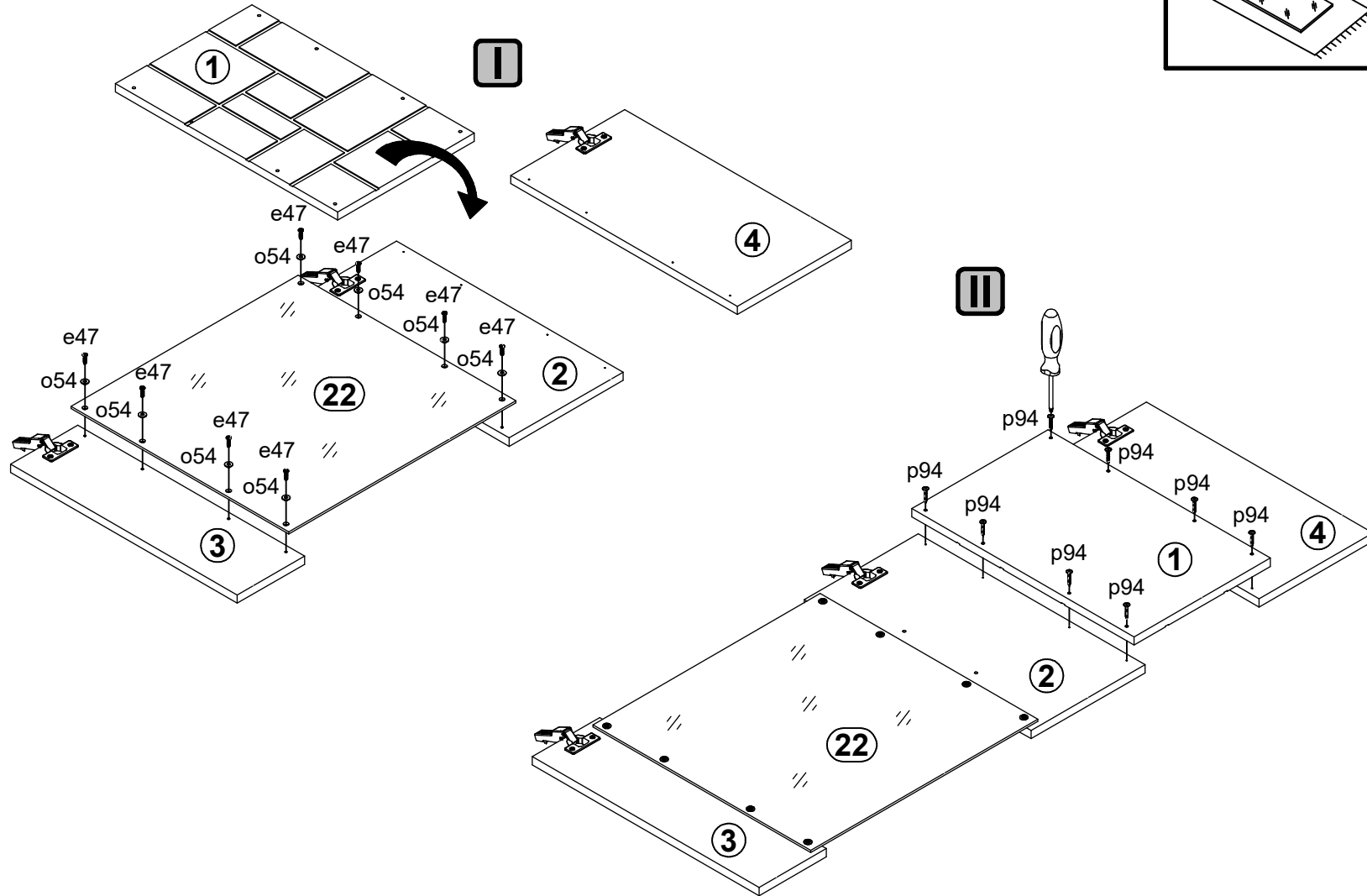
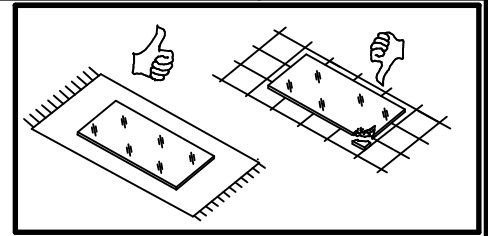


- |                      |                      |                       |                           |                    |
|----------------------|----------------------|-----------------------|---------------------------|--------------------|
| 4x<br>Ø5x17 mm<br>d1 | 4x<br>Ø8x30 mm<br>f1 | 3x<br>Ø4x40 mm<br>p64 | 4x<br>Ø15x12 mm #16<br>r1 | 6x<br>20/11<br>r42 |
|----------------------|----------------------|-----------------------|---------------------------|--------------------|

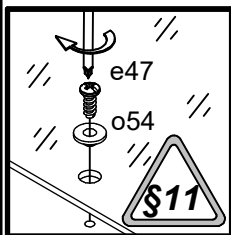
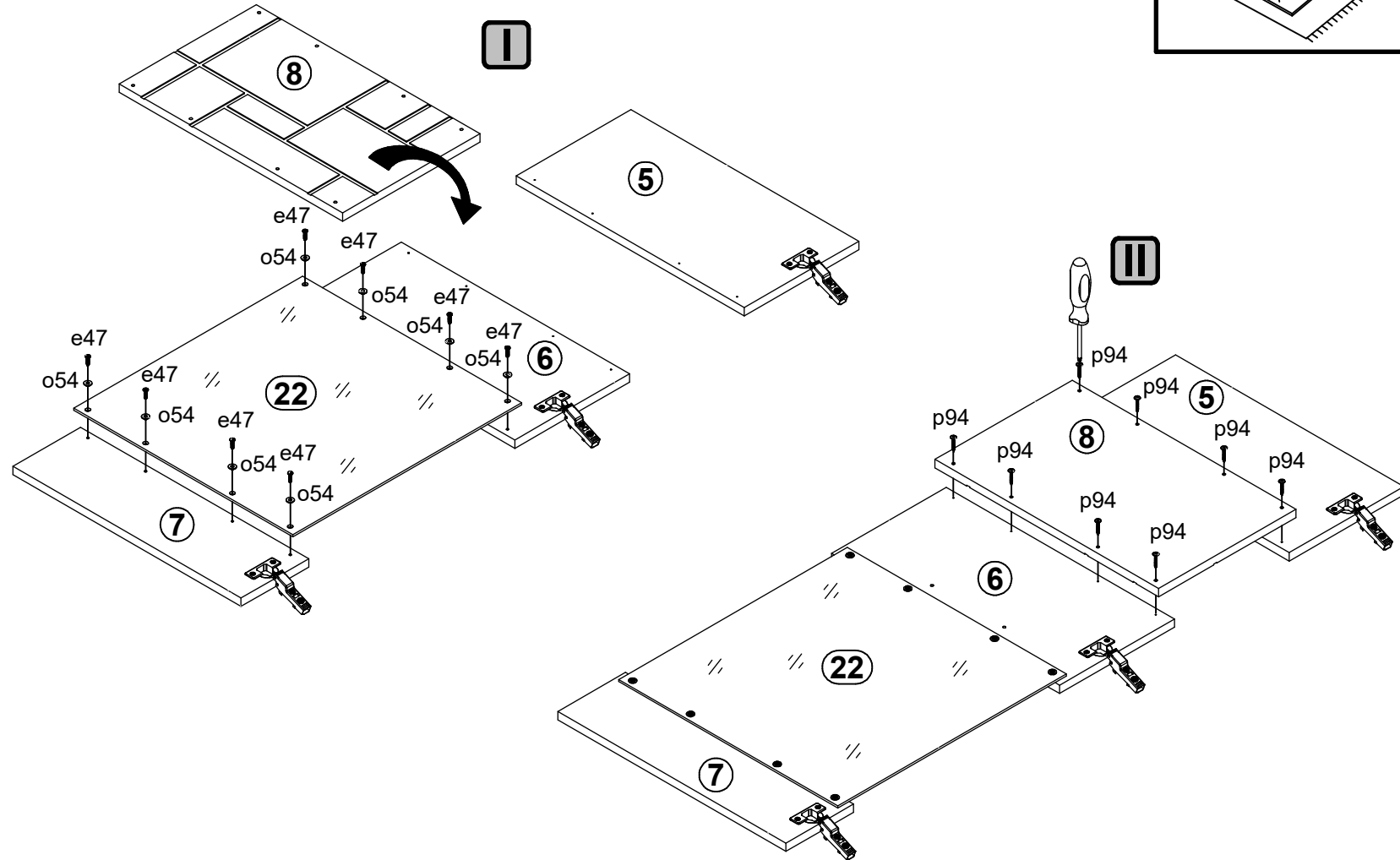
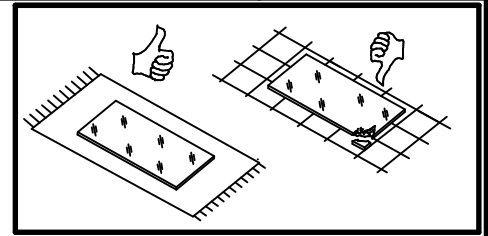


4x Ø8x30 mm f1	3x Ø4x40 mm p64	6x Ø15x12 mm #16 r1	10x 20/11 r42
----------------------	-----------------------	---------------------------	---------------------

**5** 



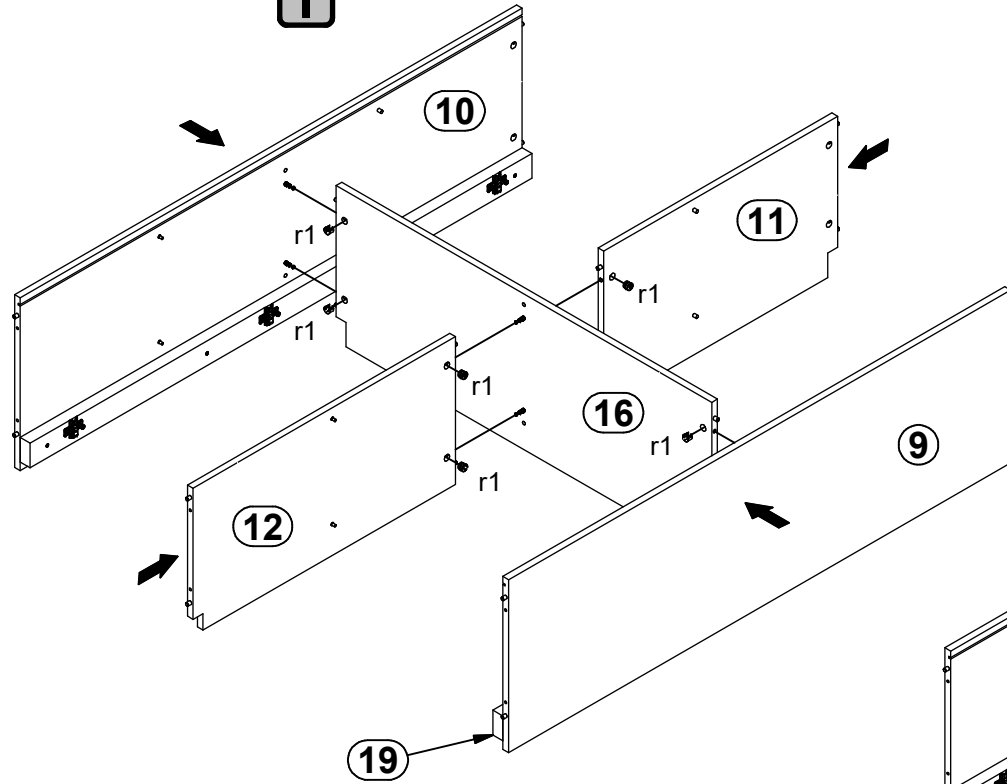
# 6



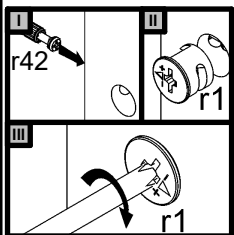
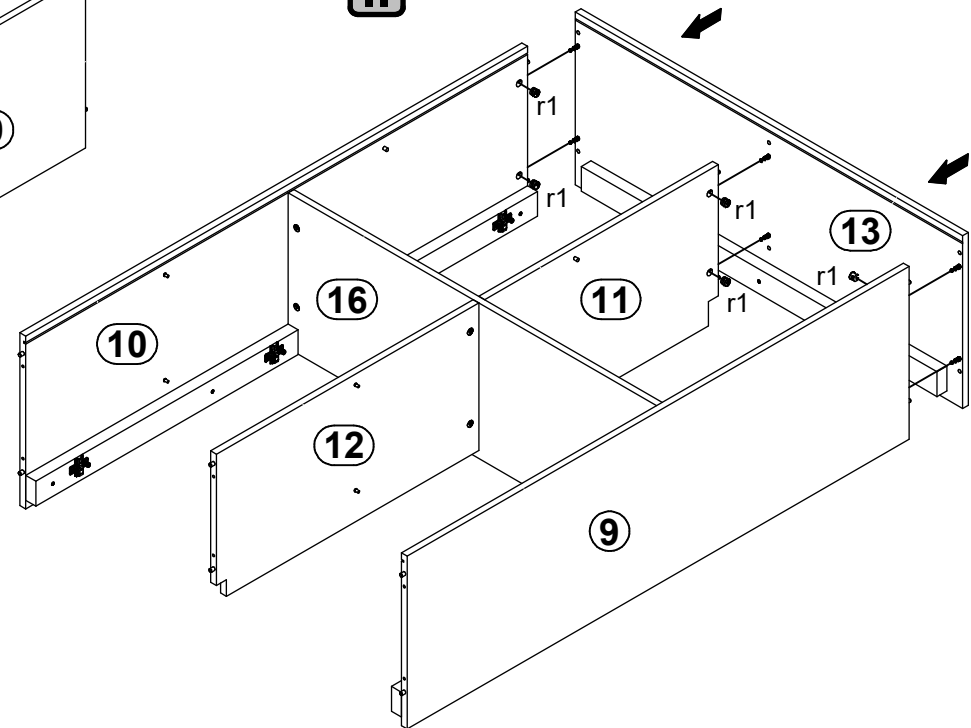



7 

I



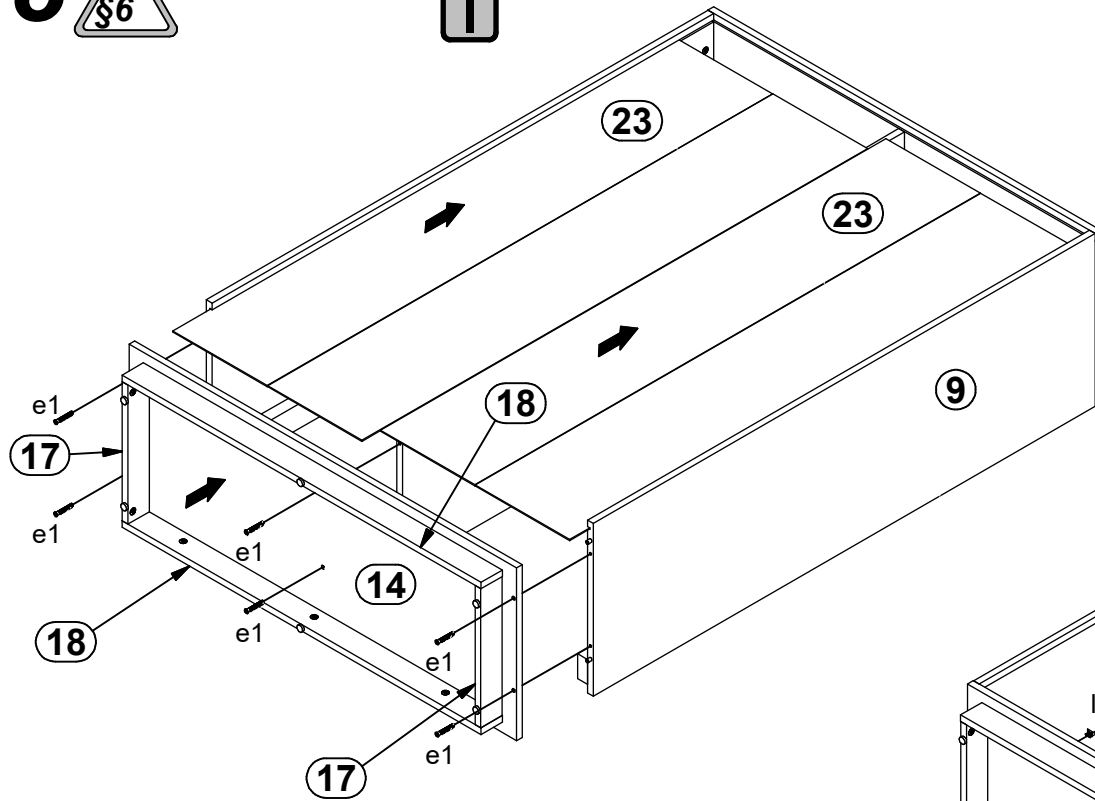
II



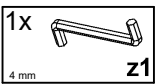
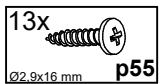
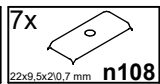
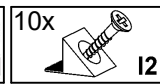
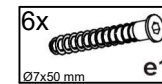
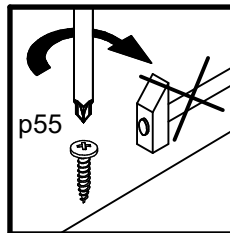
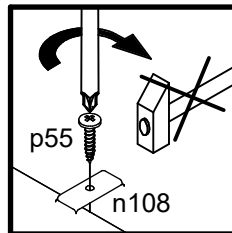
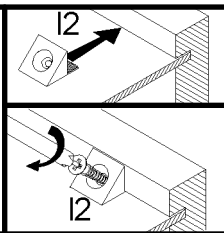
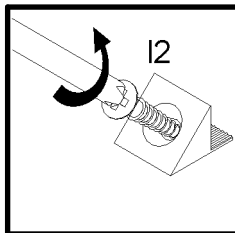
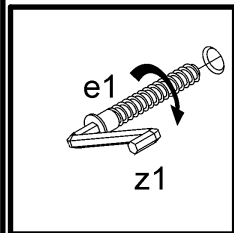
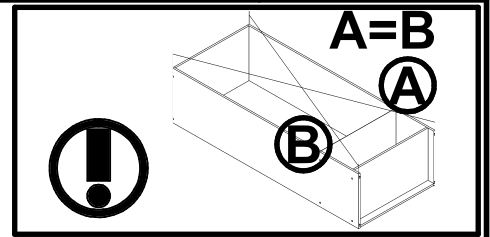
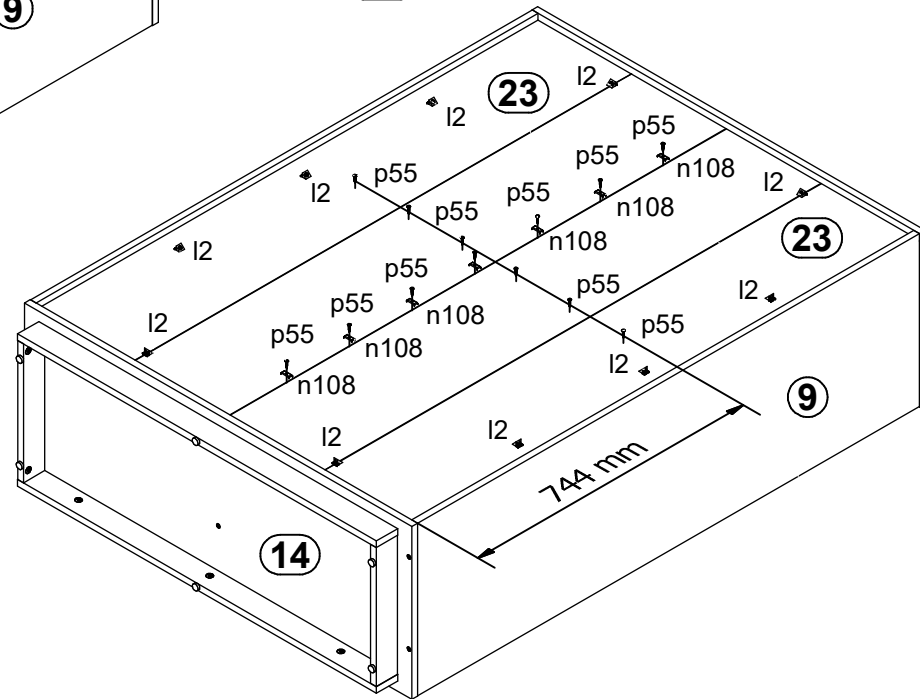
14x  r1  
Ø15x12 mm #16

8

I

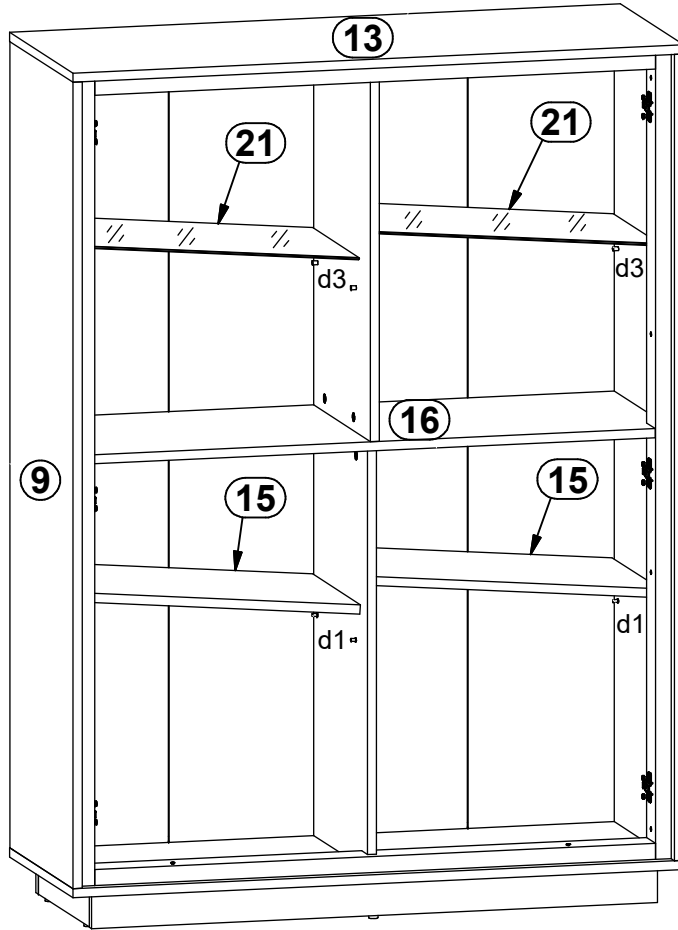
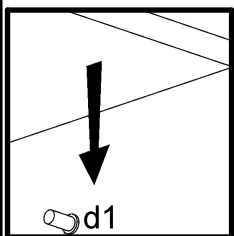
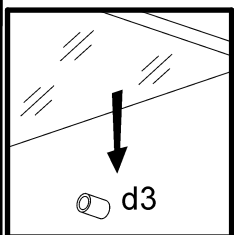
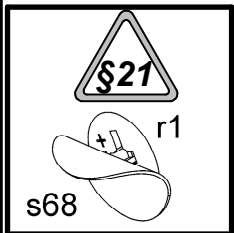
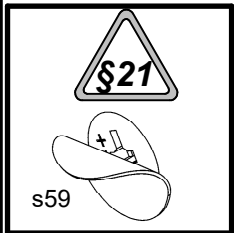
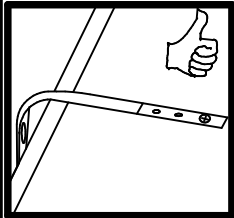


II

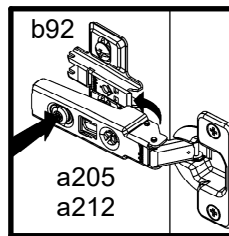
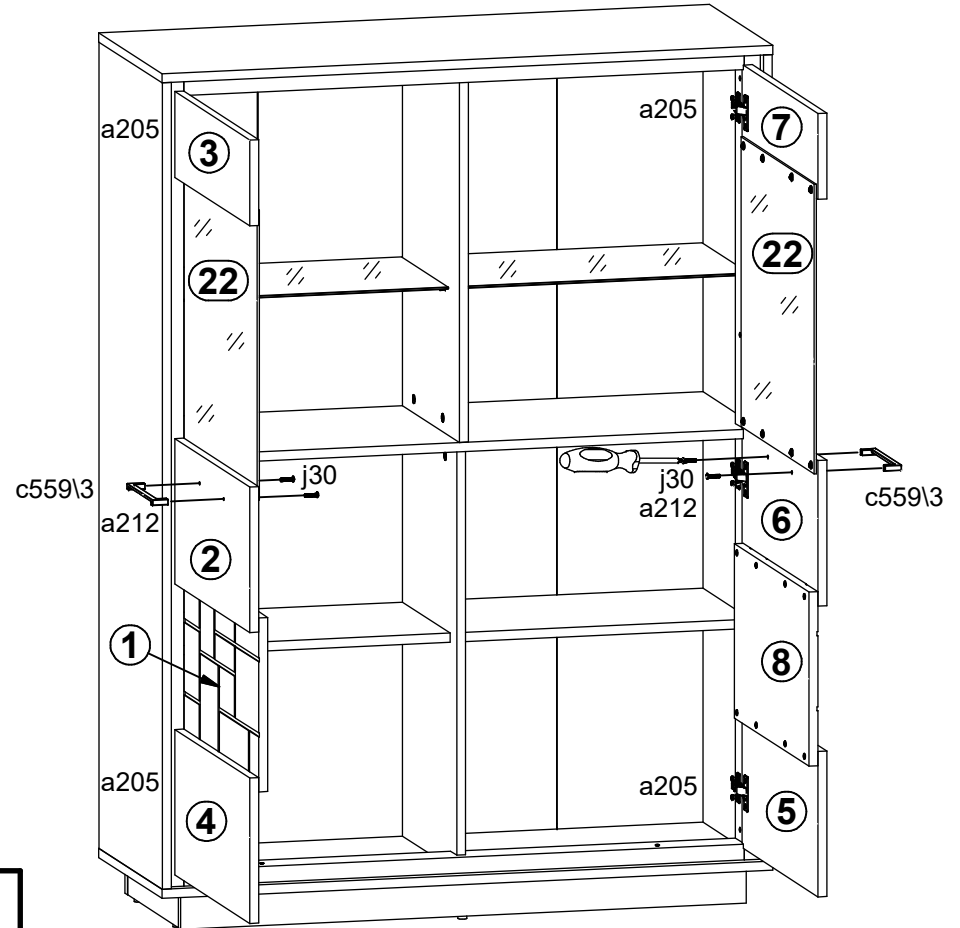
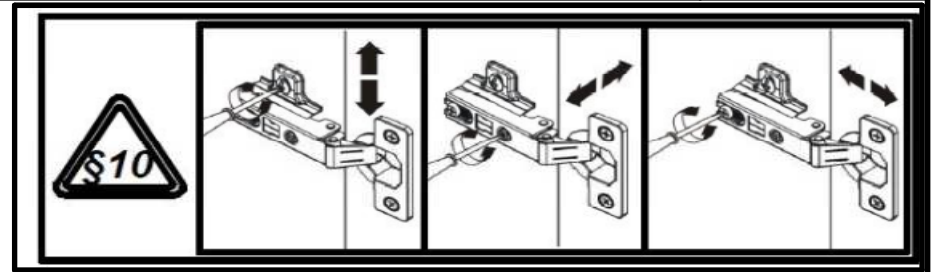


9 §6

I

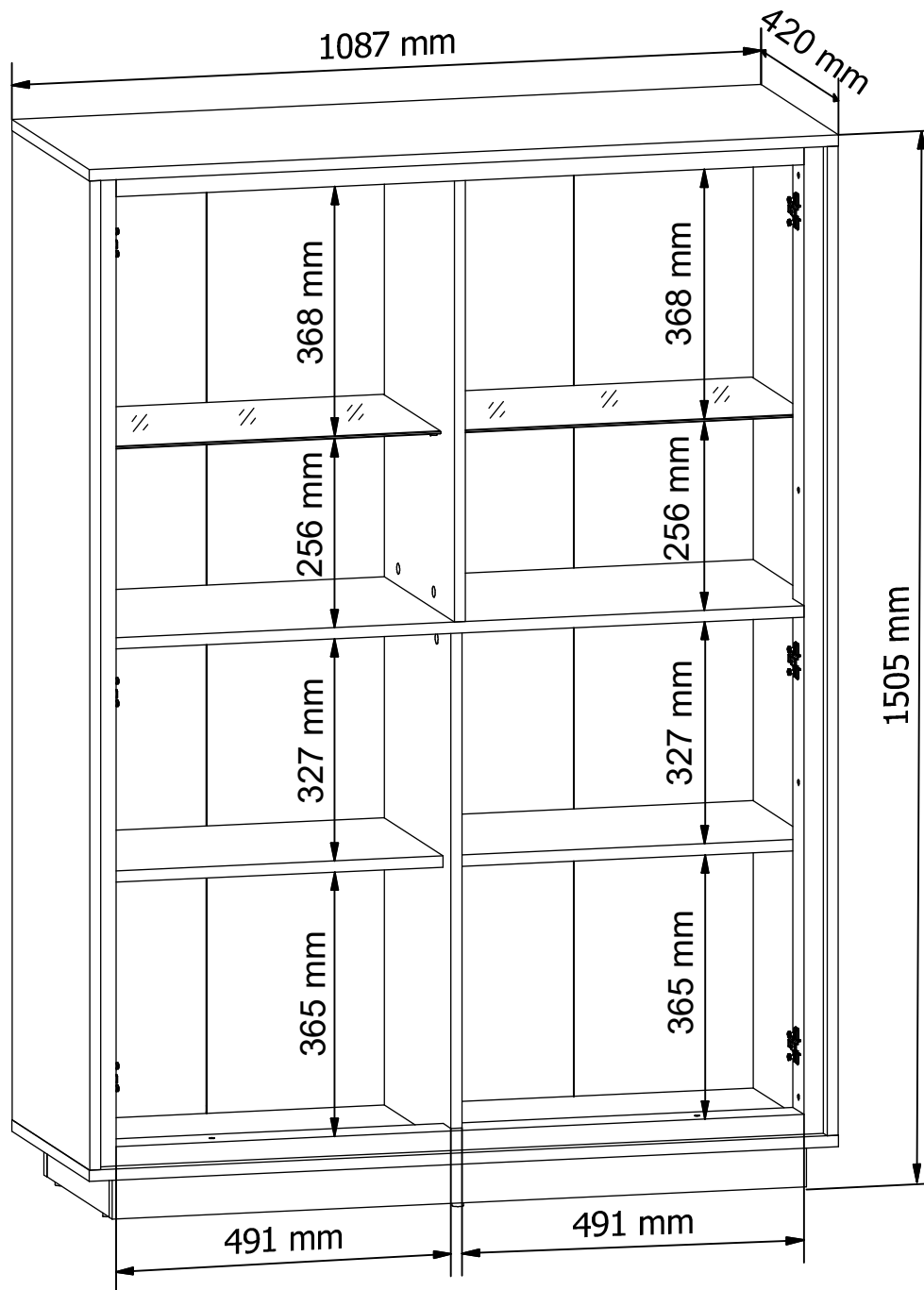


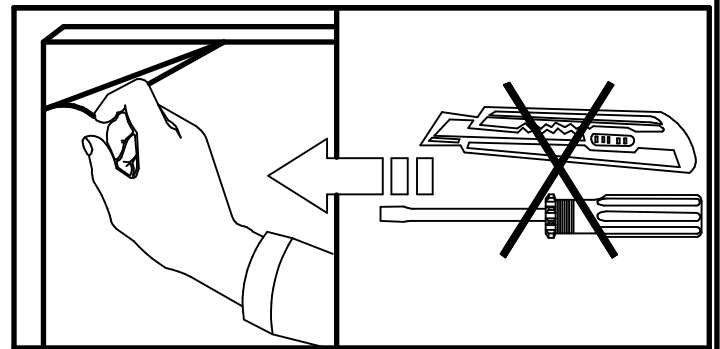
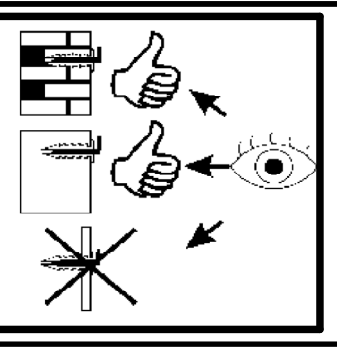
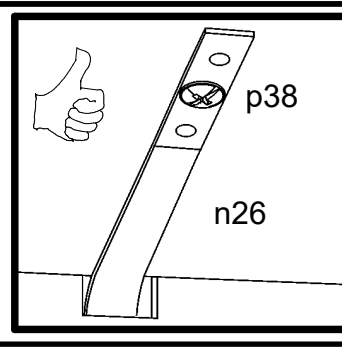
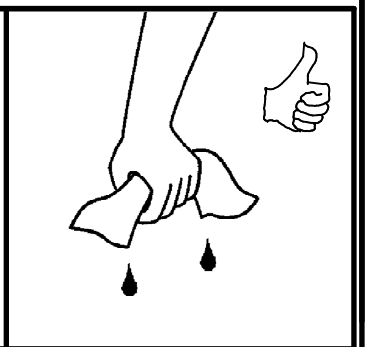
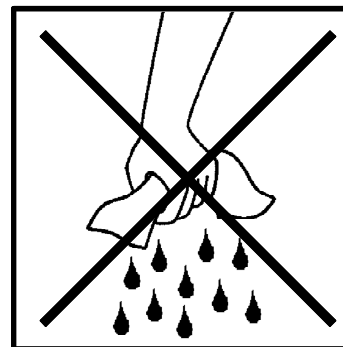
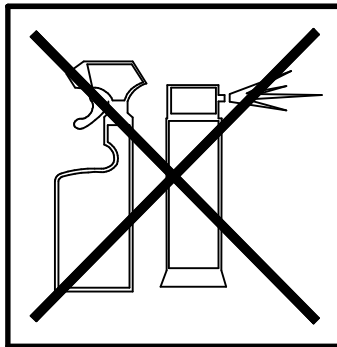
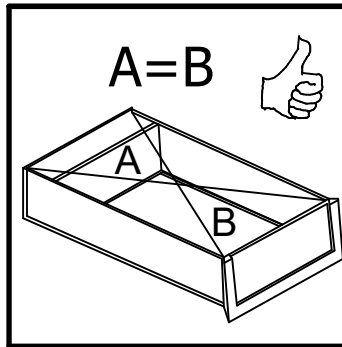
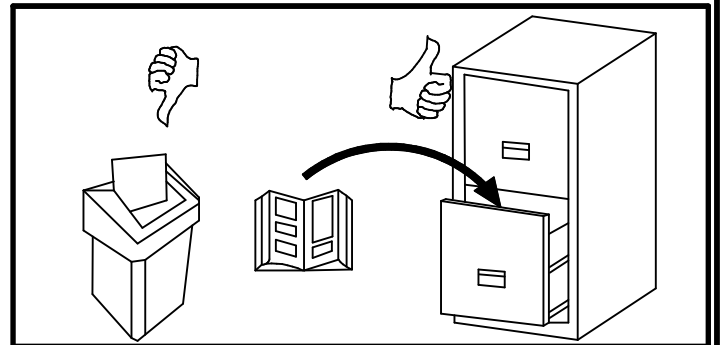
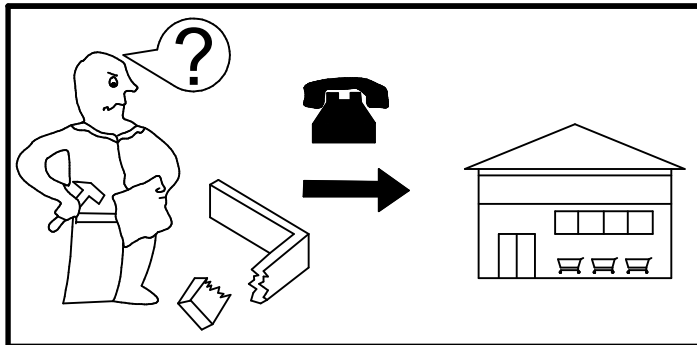
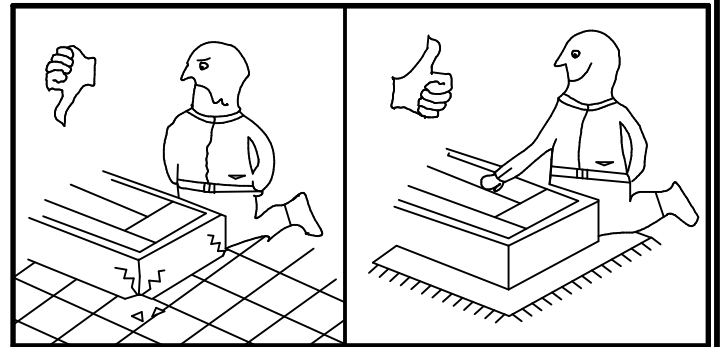
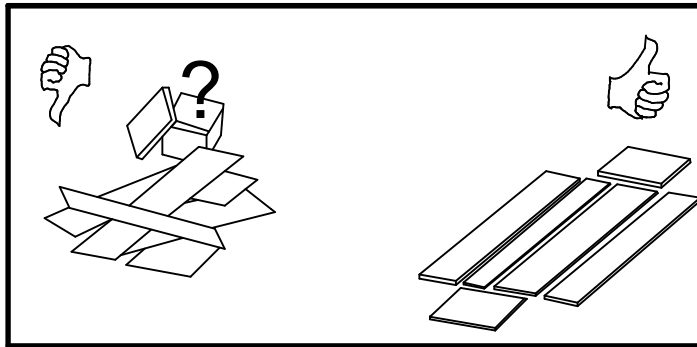
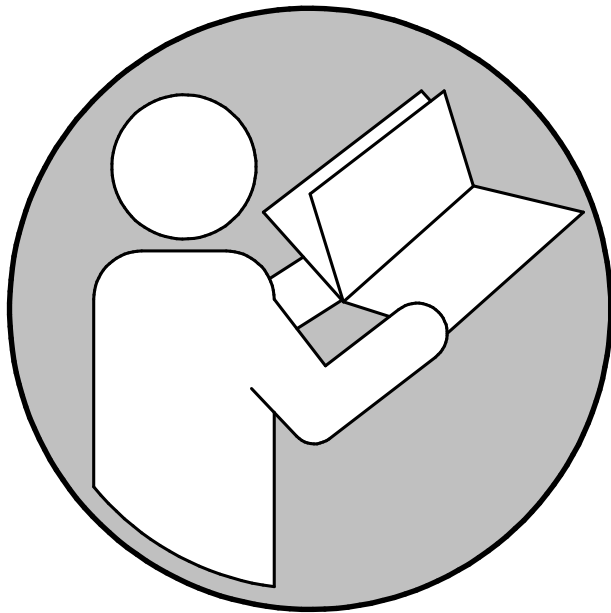
II

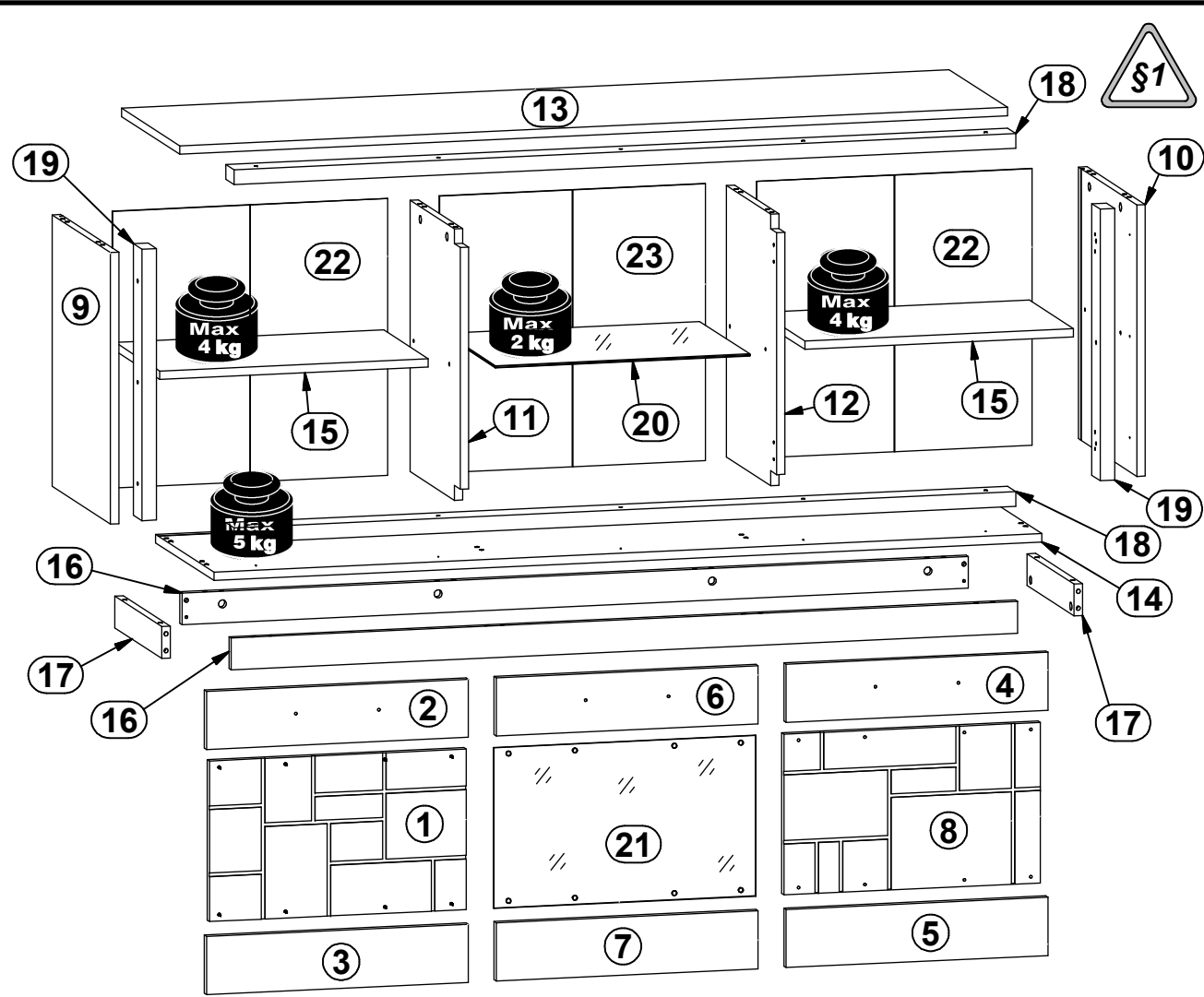
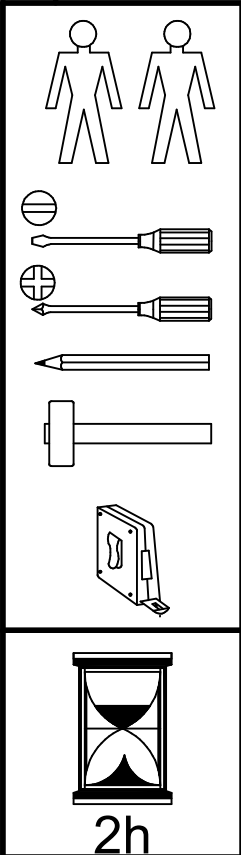


2x  c559\3	4x  M4x22 mm j30	1x  n26
1x  Ø3.5x16 mm p38	12x  Ø14x0.5 mm s59	10x  Ø 20mm s68

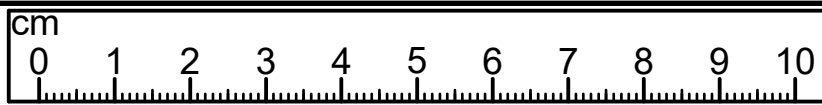
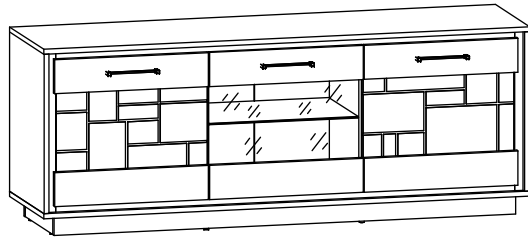
10





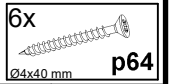
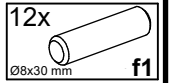
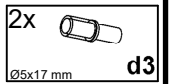
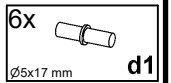
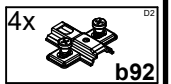
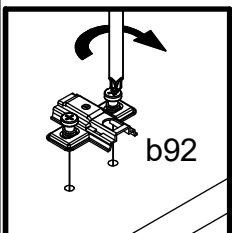
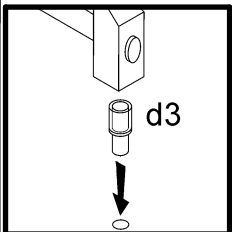
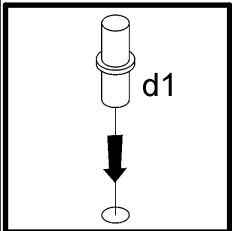
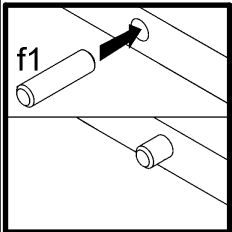
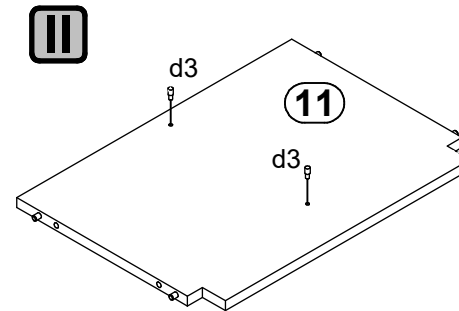
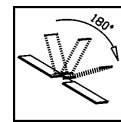
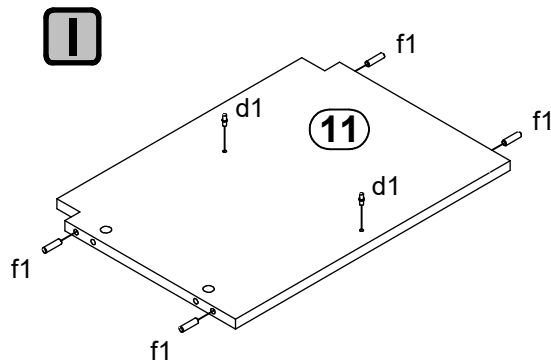
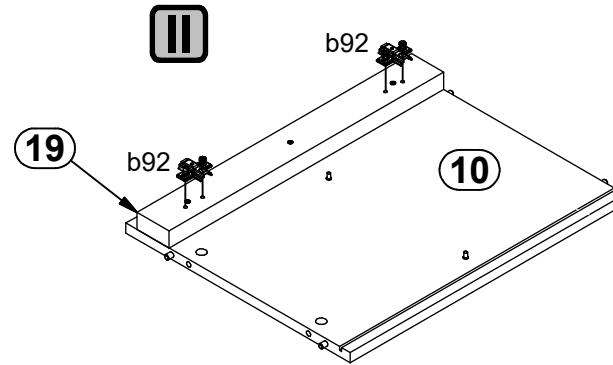
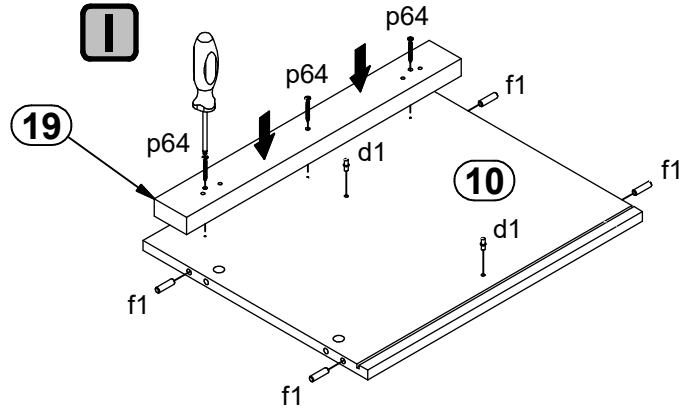
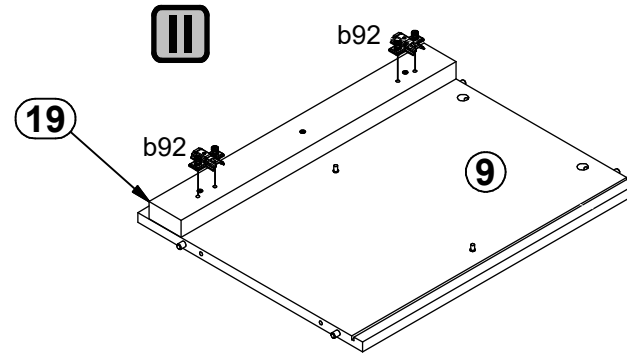
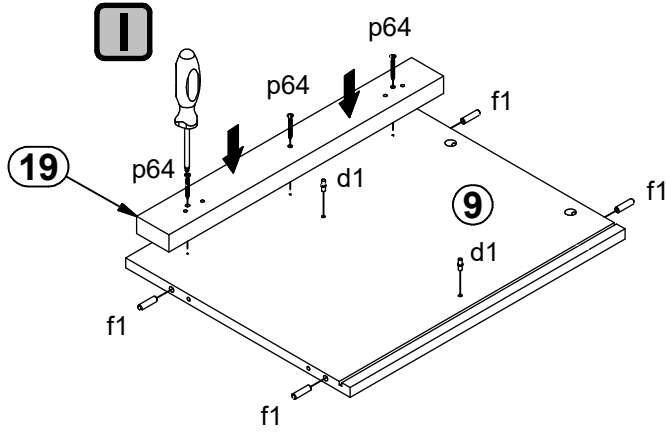


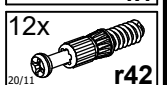
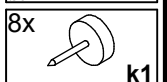
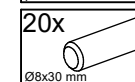
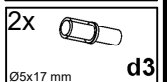
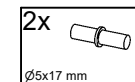
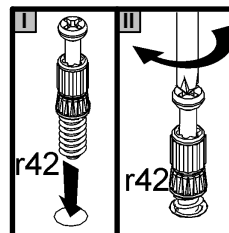
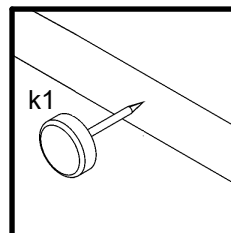
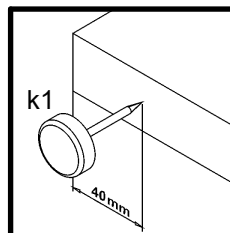
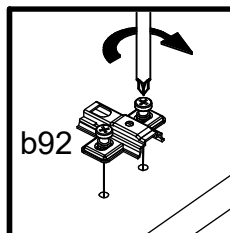
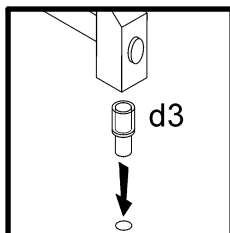
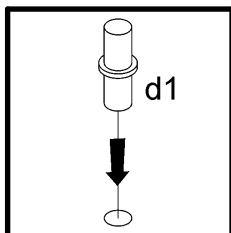
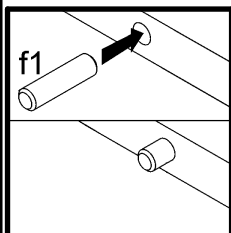
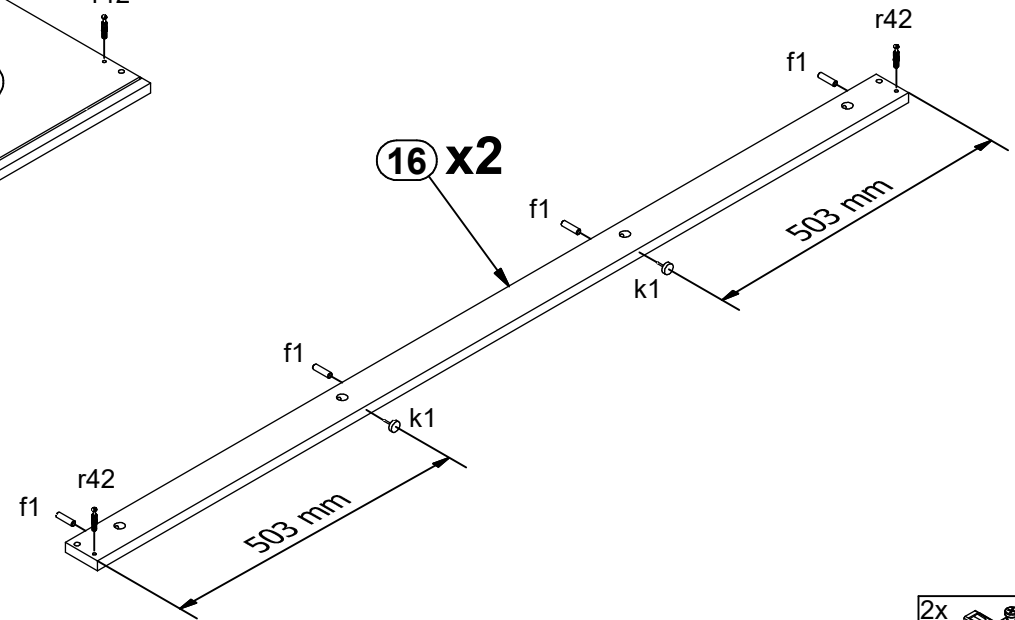
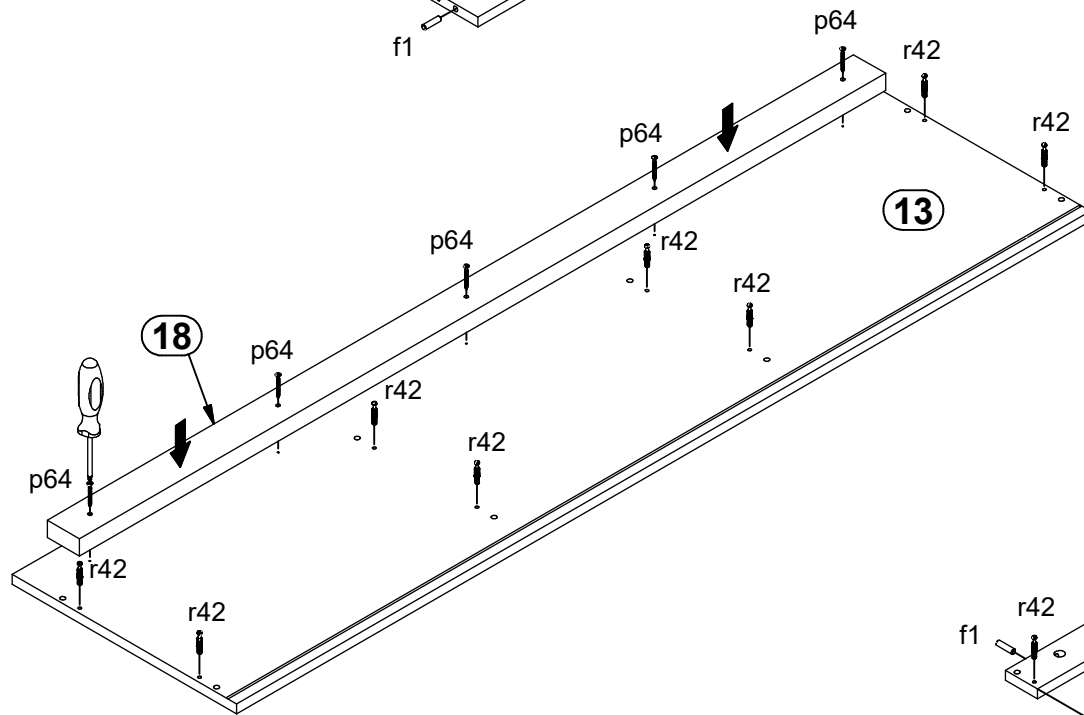
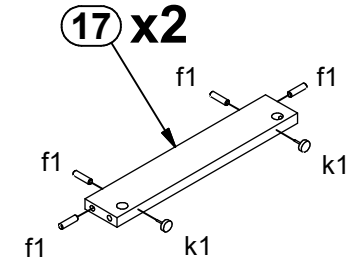
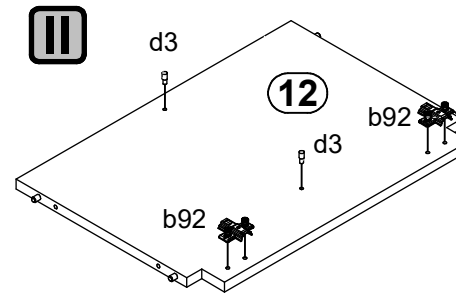
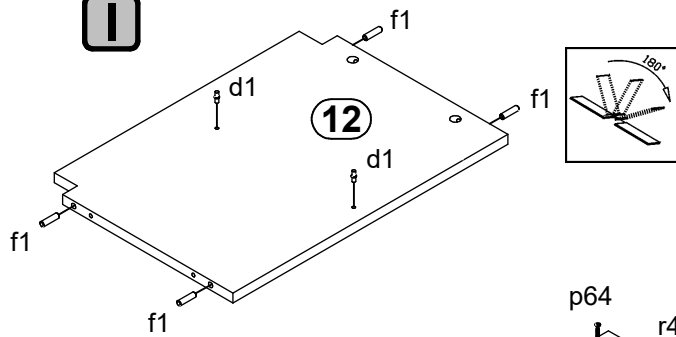
A	B	C (mm)			D
1	S605-0009	495	304	16	1/2
2	S605-0012	505	110	16	1/2
3	S605-0014	505	110	16	1/2
4	S605-0015	505	110	16	1/2
5	S605-0018	505	110	16	1/2
6	S605-0019	505	110	16	1/2
7	S605-0020	505	110	16	1/2
8	S605-0039	495	304	16	1/2
9	S605-1016	514	420	16	1/2
10	S605-1017	514	420	16	1/2
11	S605-1018	514	362	16	1/2
12	S605-1019	514	362	16	1/2
13	S605-2001	1597	420	16	2/2
14	S605-2002	1597	420	16	2/2
15	S605-3008	518	318	16	2/2
16	S605-4003	1517	60	16	2/2
17	S605-4004	338	60	16	2/2
18	S605-4006	1508	60	28	2/2
19	S605-4010	514	60	28	2/2
20	S605-5001	492	363	4	1/2
21	S605-5504	505	304	4	1/2
22	S605-9305	524	531	2,5	2/2
23	S605-9306	524	513	2,5	2/2



D
1/2

3x a205	3x a212	6x b92	3x c559/3	8x d1 Ø5x17 mm	4x d3 Ø5x17 mm	8x e1 Ø7x50 mm	8x e47 Ø5x16 mm	32x f1 Ø8x30 mm	6x j30 M4x22 mm	8x k1	8x l2	1x n26
6x n108 22x9,5x20,7 mm	8x o54 Ø5,3/Ø8,3x4,8 mm	1x p38 Ø3,5x16 mm	12x p51 Ø3,5x15 mm	6x p55 Ø2,9x16 mm	16x p64 Ø4x40 mm	16x p94 Ø4x28 mm	20x r1 Ø15x12 mm #16	20x r42 20/11	11x s59 Ø14x0,5 mm	8x s68 Ø 20mm	1x z1 4 mm	



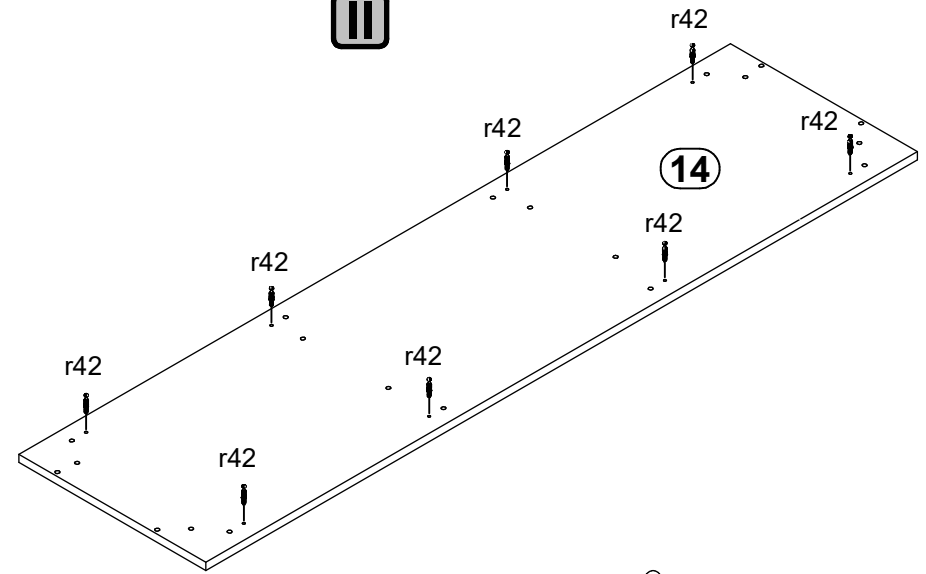
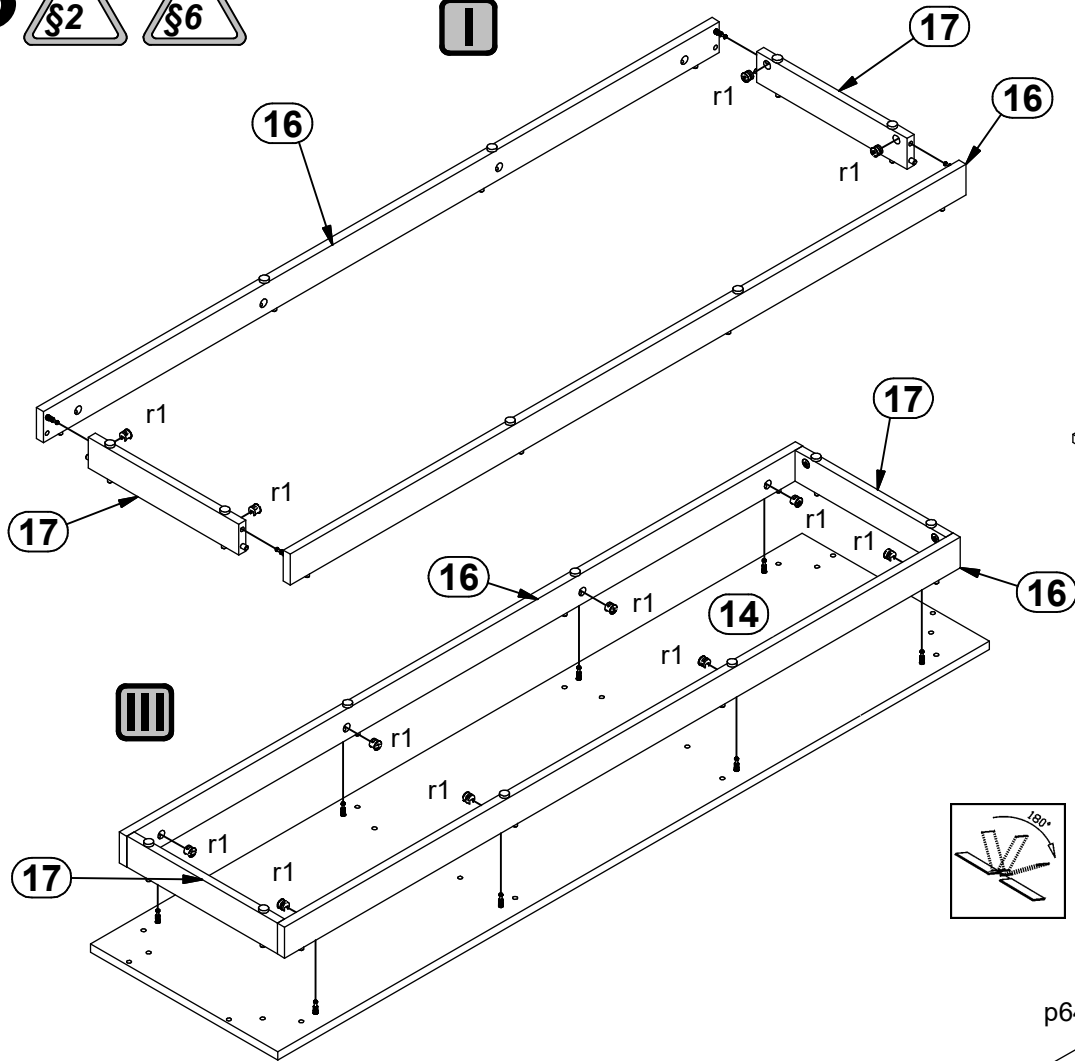




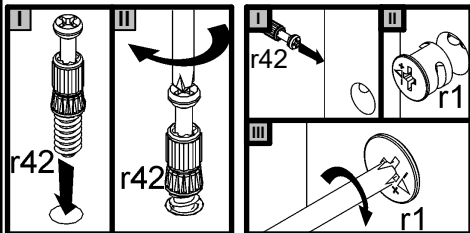
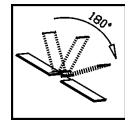
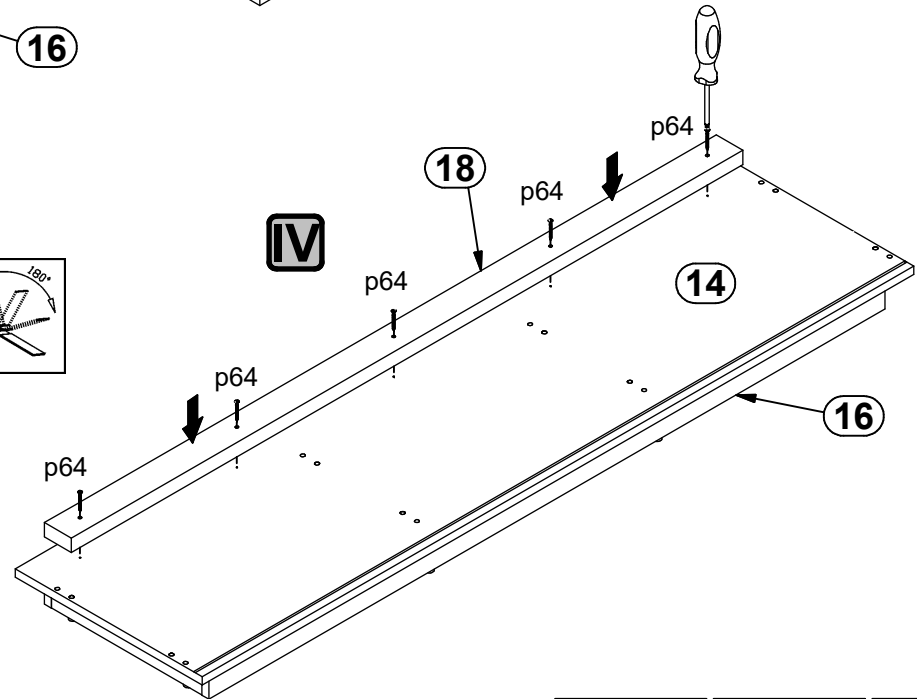
3  

I

II



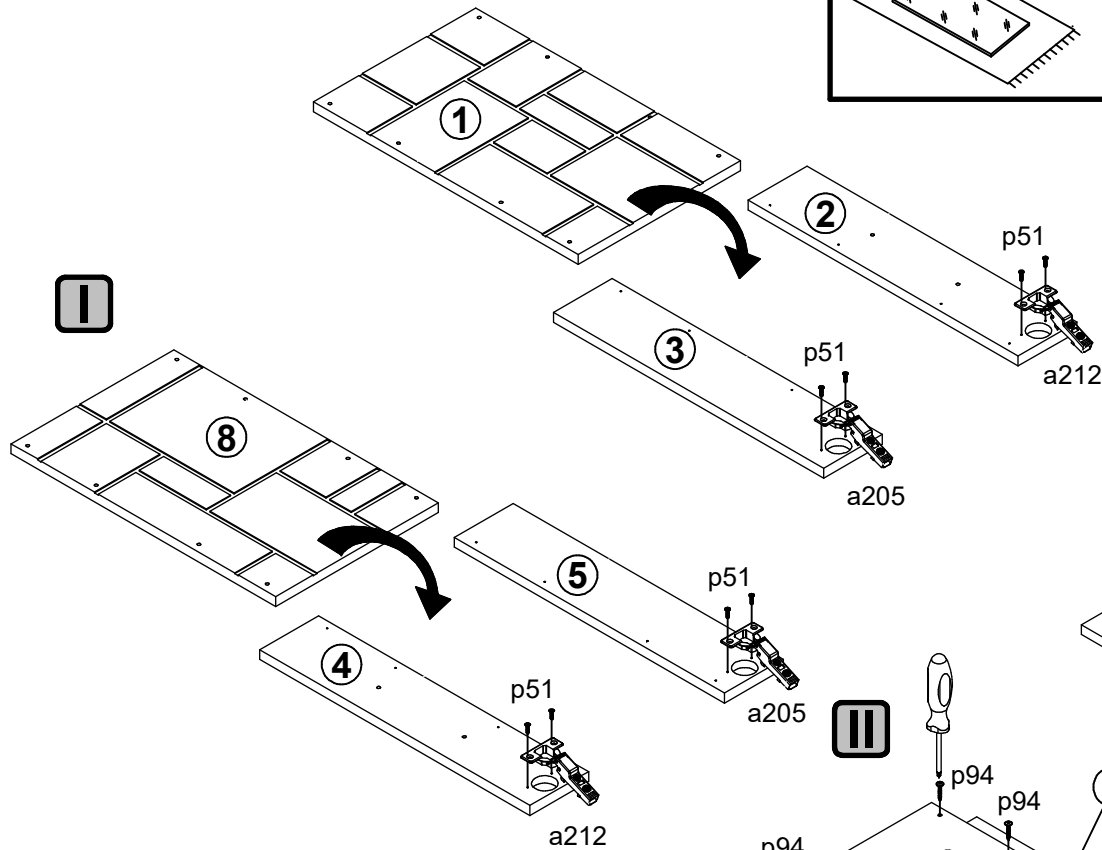
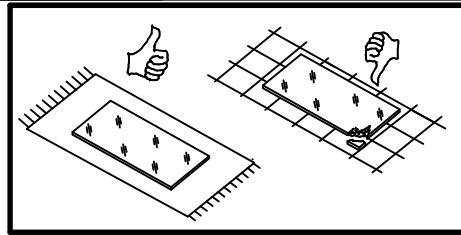
IV



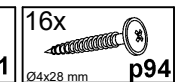
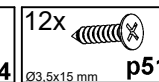
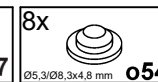
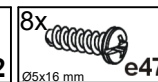
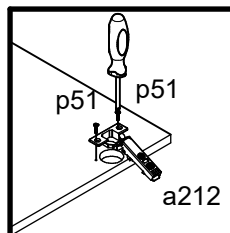
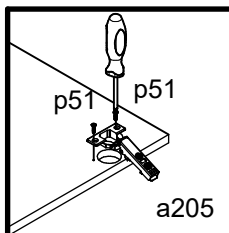
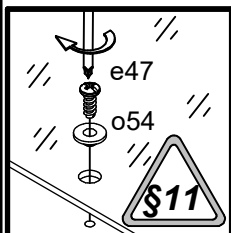
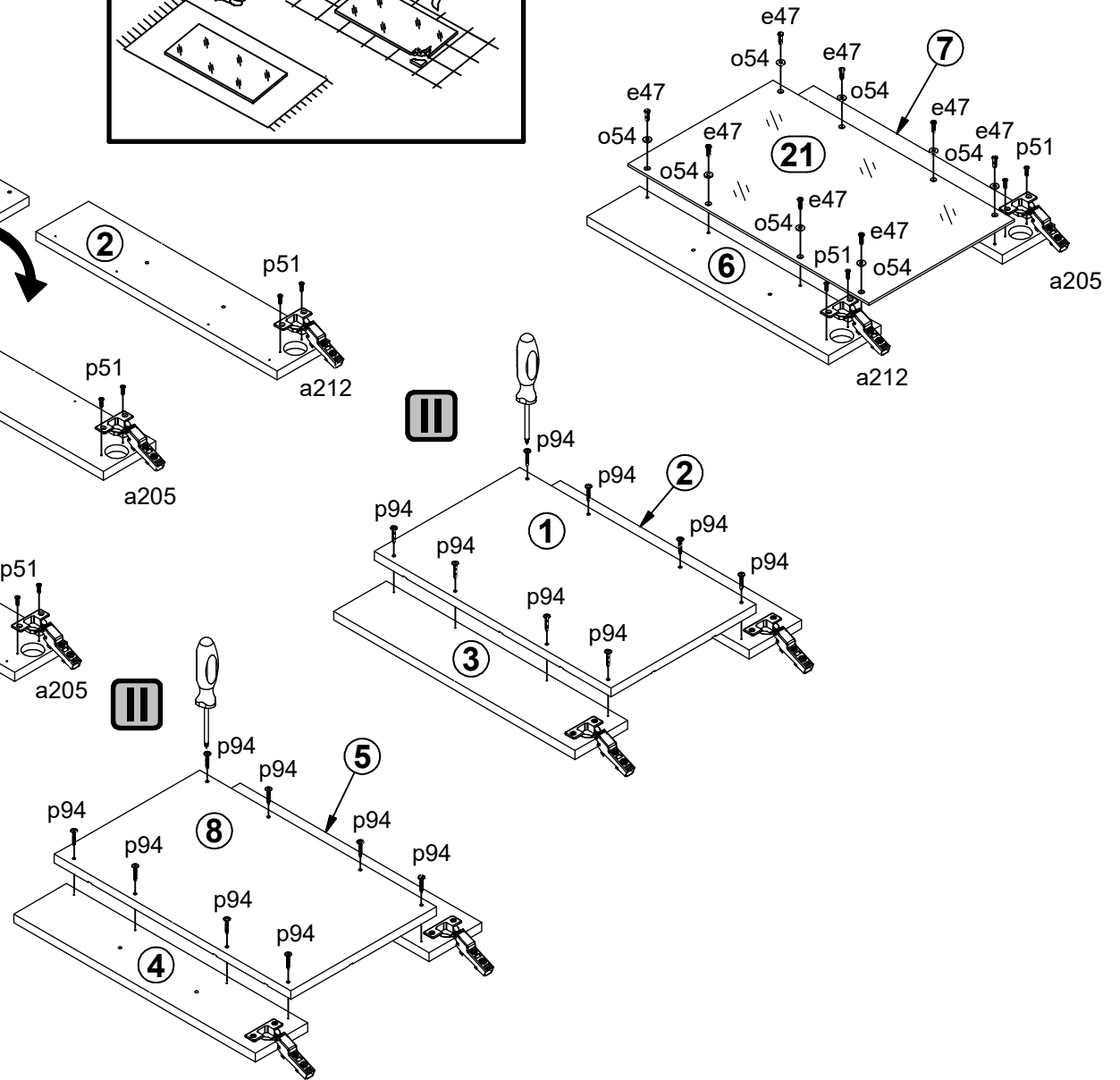
5x  Ø4x40 mm p64	12x  Ø15x12 mm #16 r1	8x  20/11 r42
---	--	--

4  

I



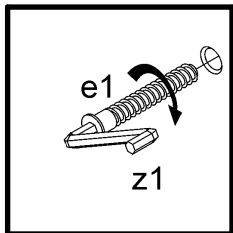
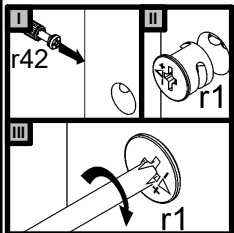
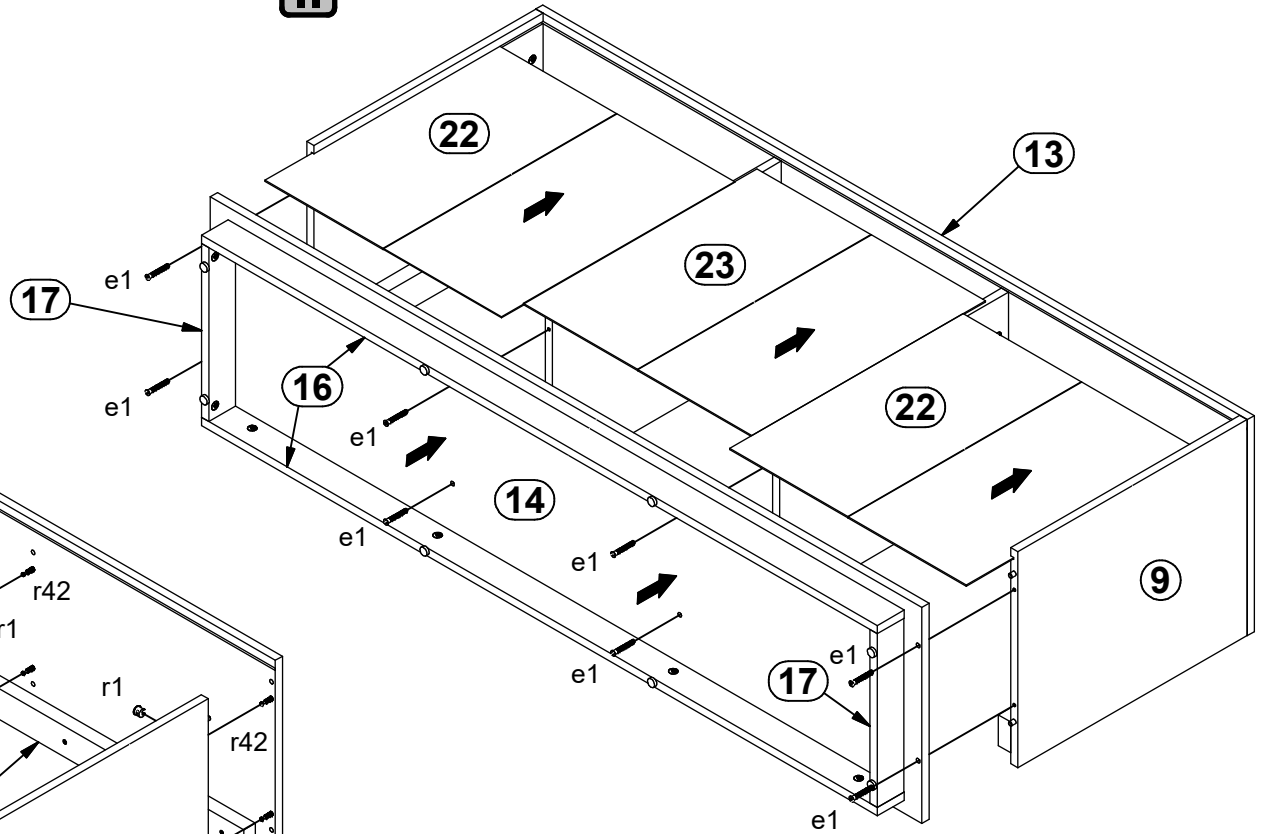
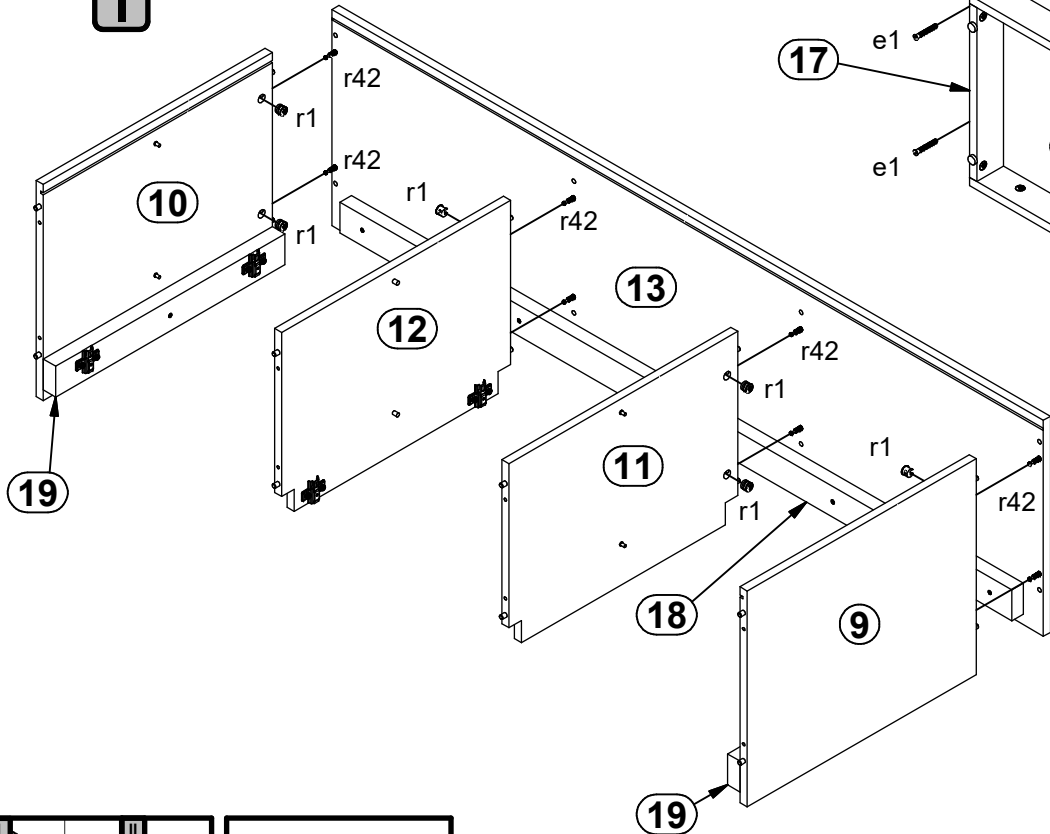
II






5 

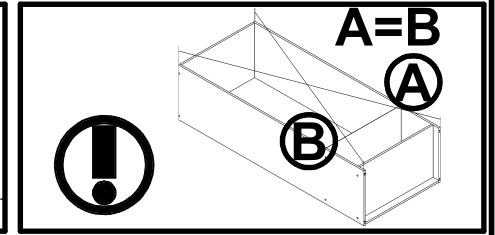
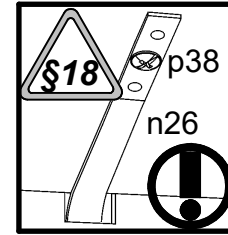
III

I



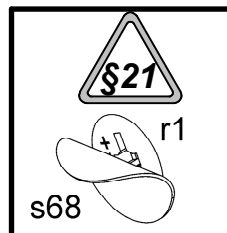
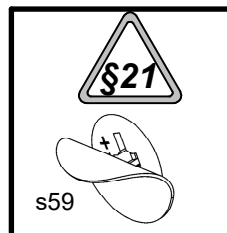
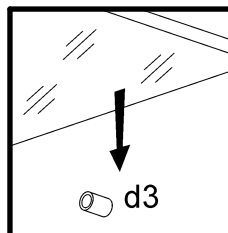
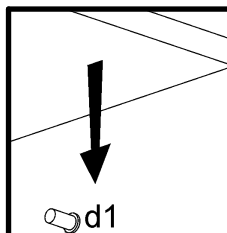
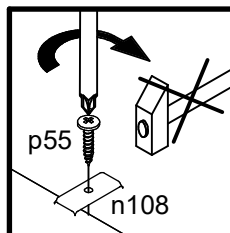
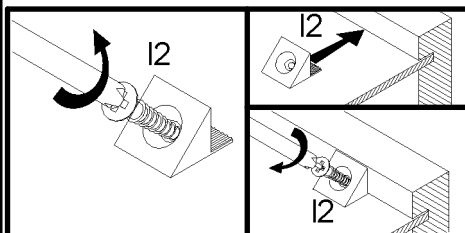
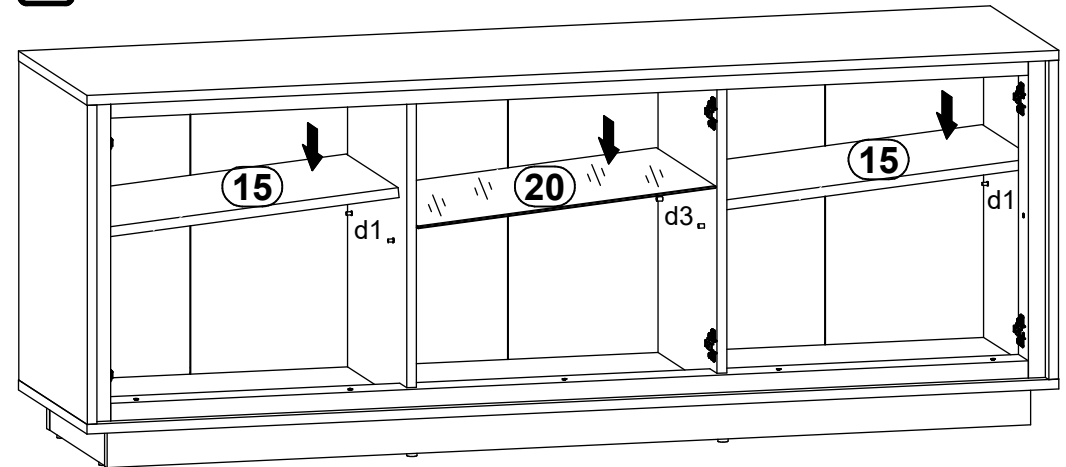
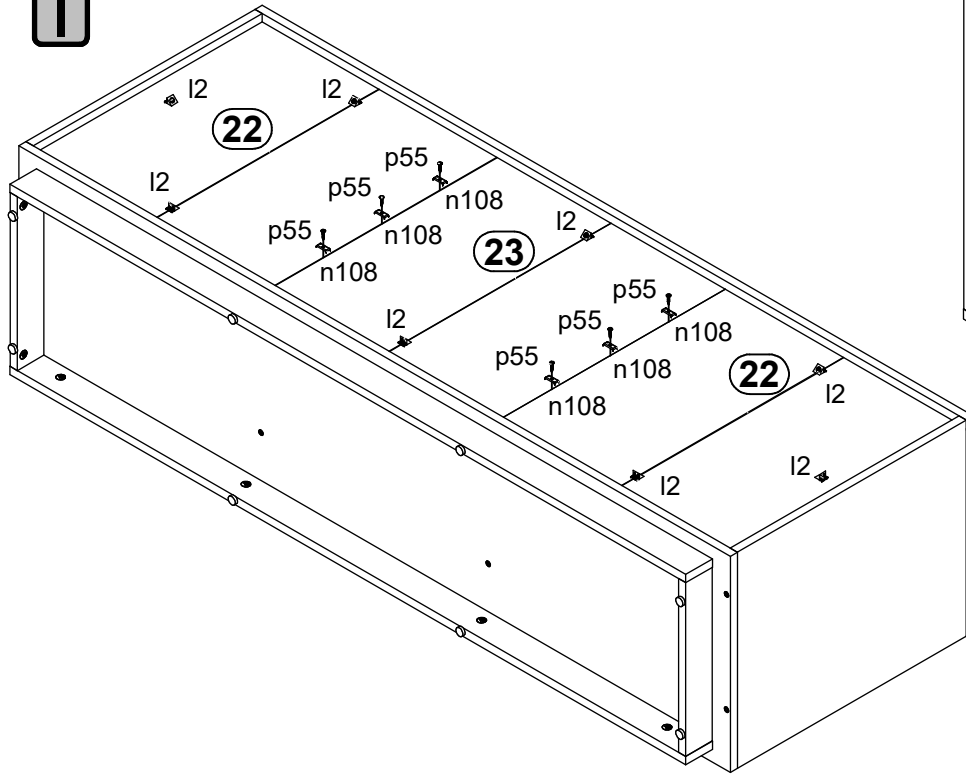
8x  Ø7x50 mm	8x  Ø15x12 mm #16	1x  4 mm
---	--	---


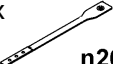

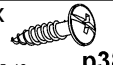
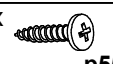


**6** 



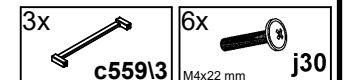
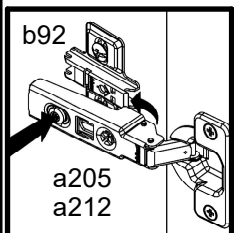
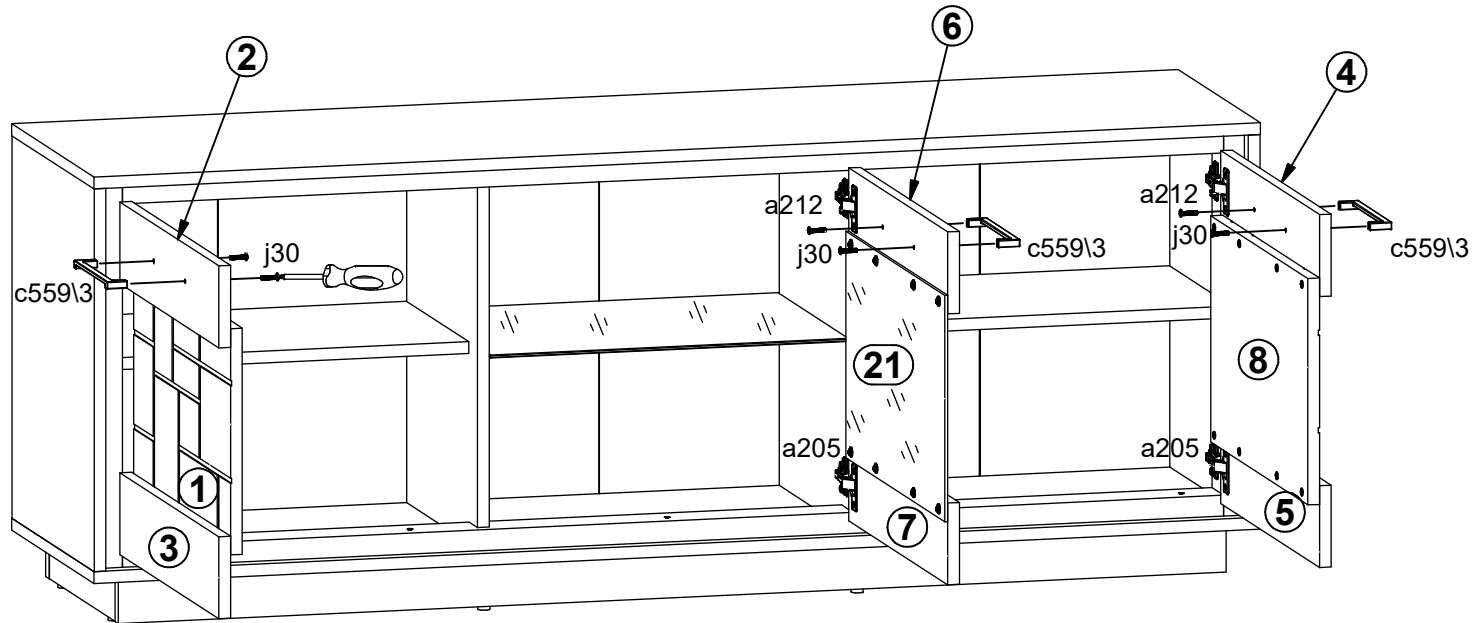
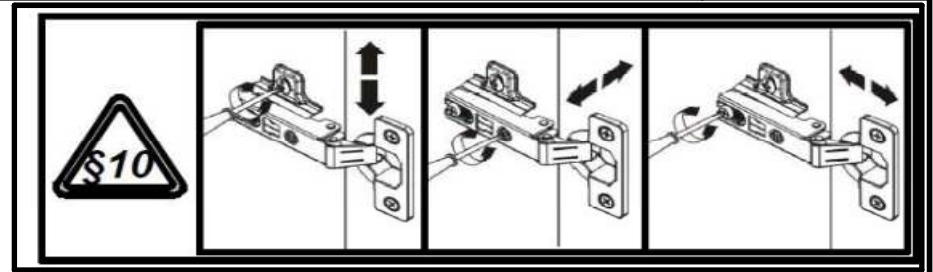
**II**

**I**

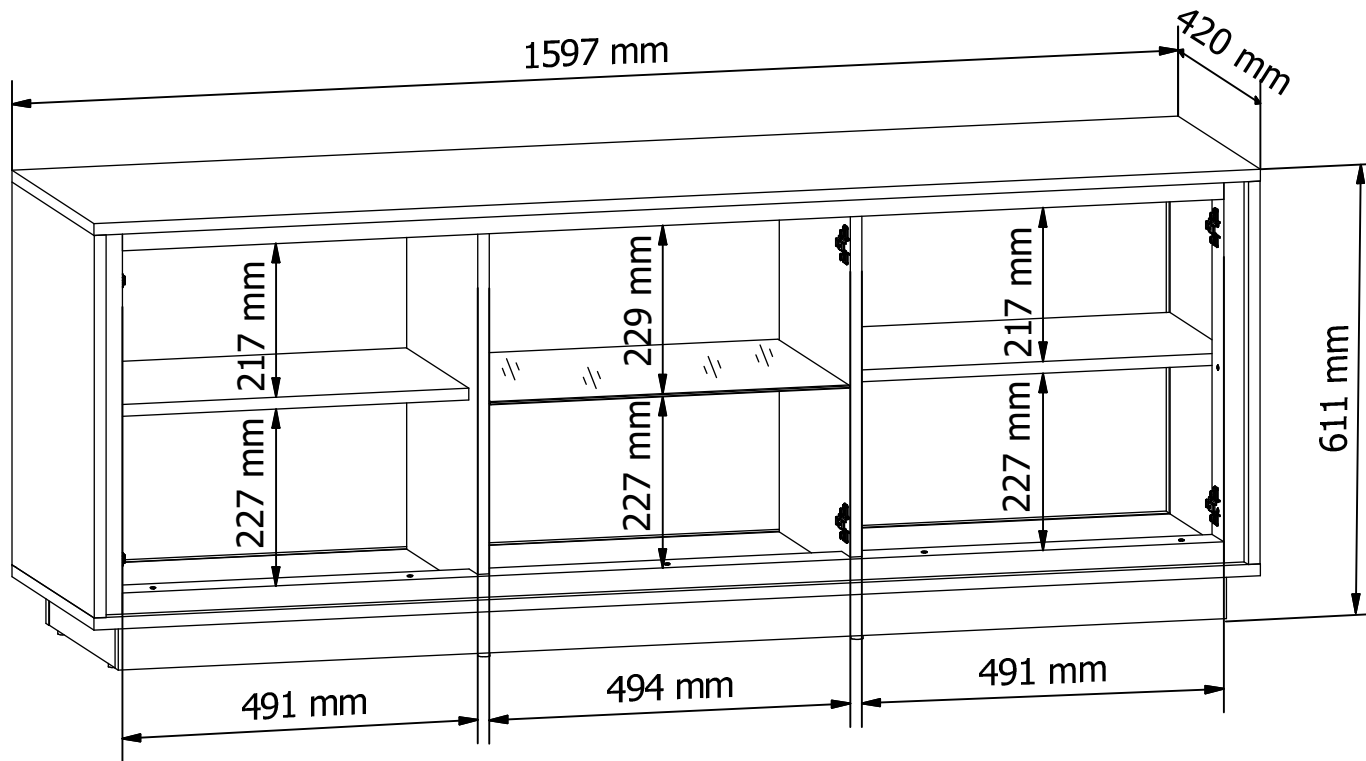


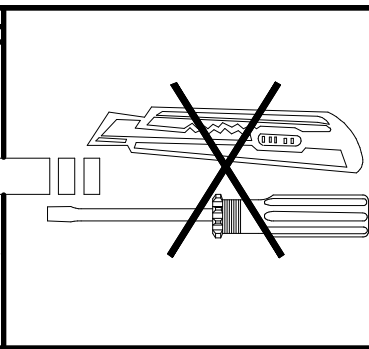
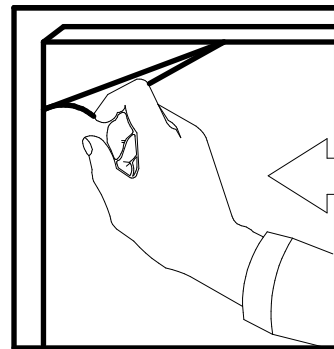
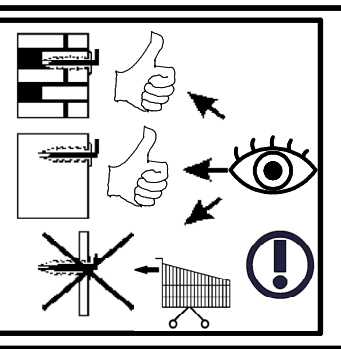
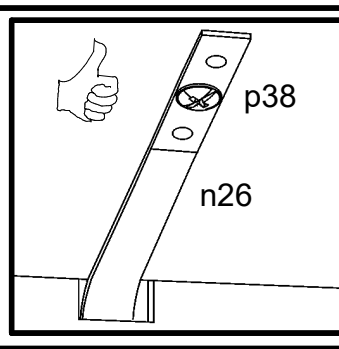
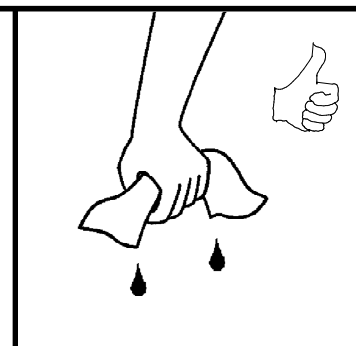
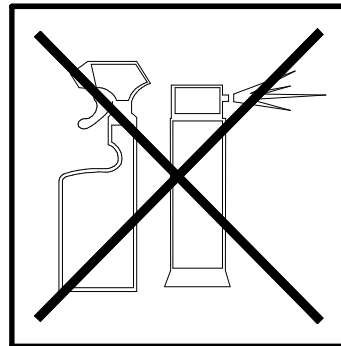
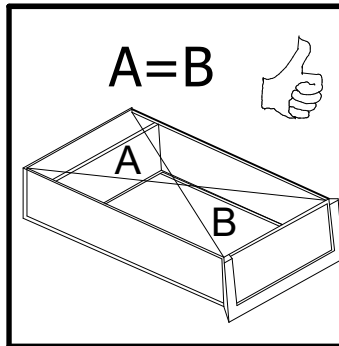
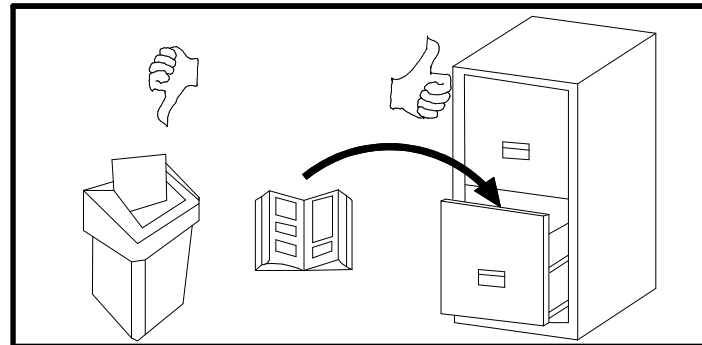
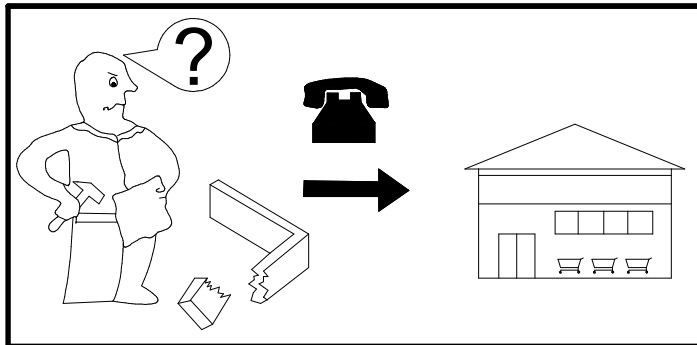
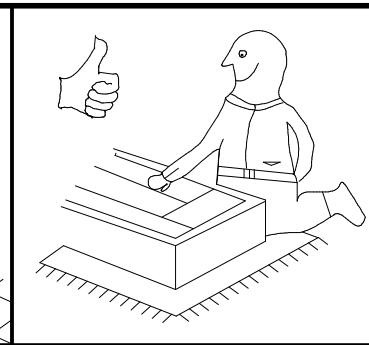
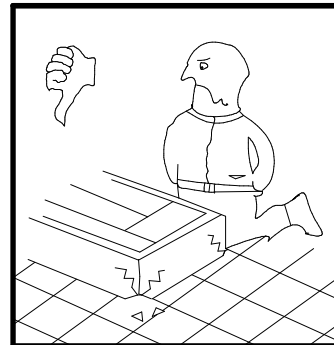
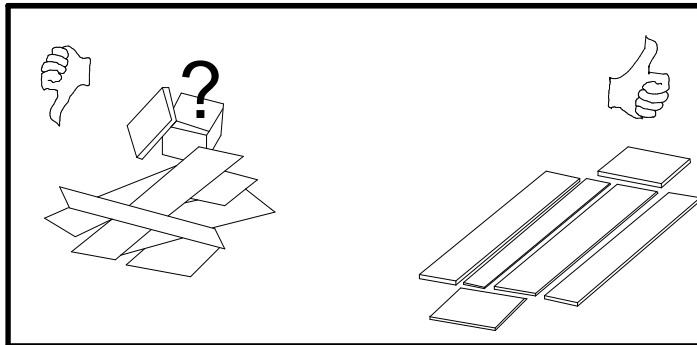
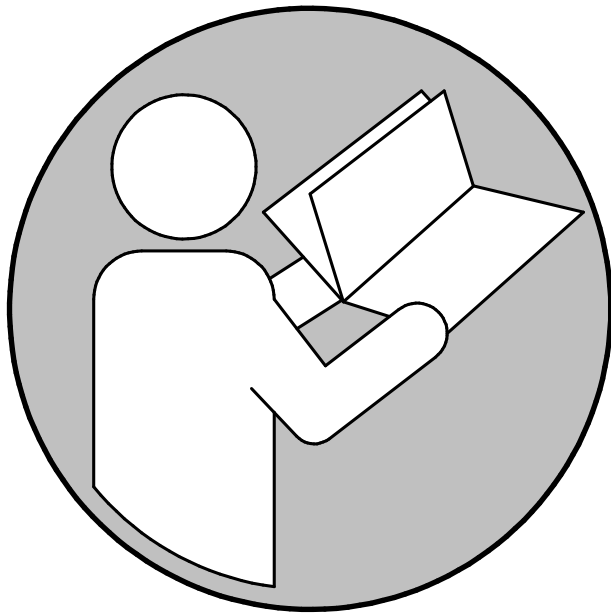
8x  l2	1x  n26
6x  n108 22x9,5x20,7 mm	1x  p38 Ø3,5x16 mm
6x  p55 Ø2,9x16 mm	11x  s59 Ø14x0,5 mm
8x  s68 Ø 20mm	

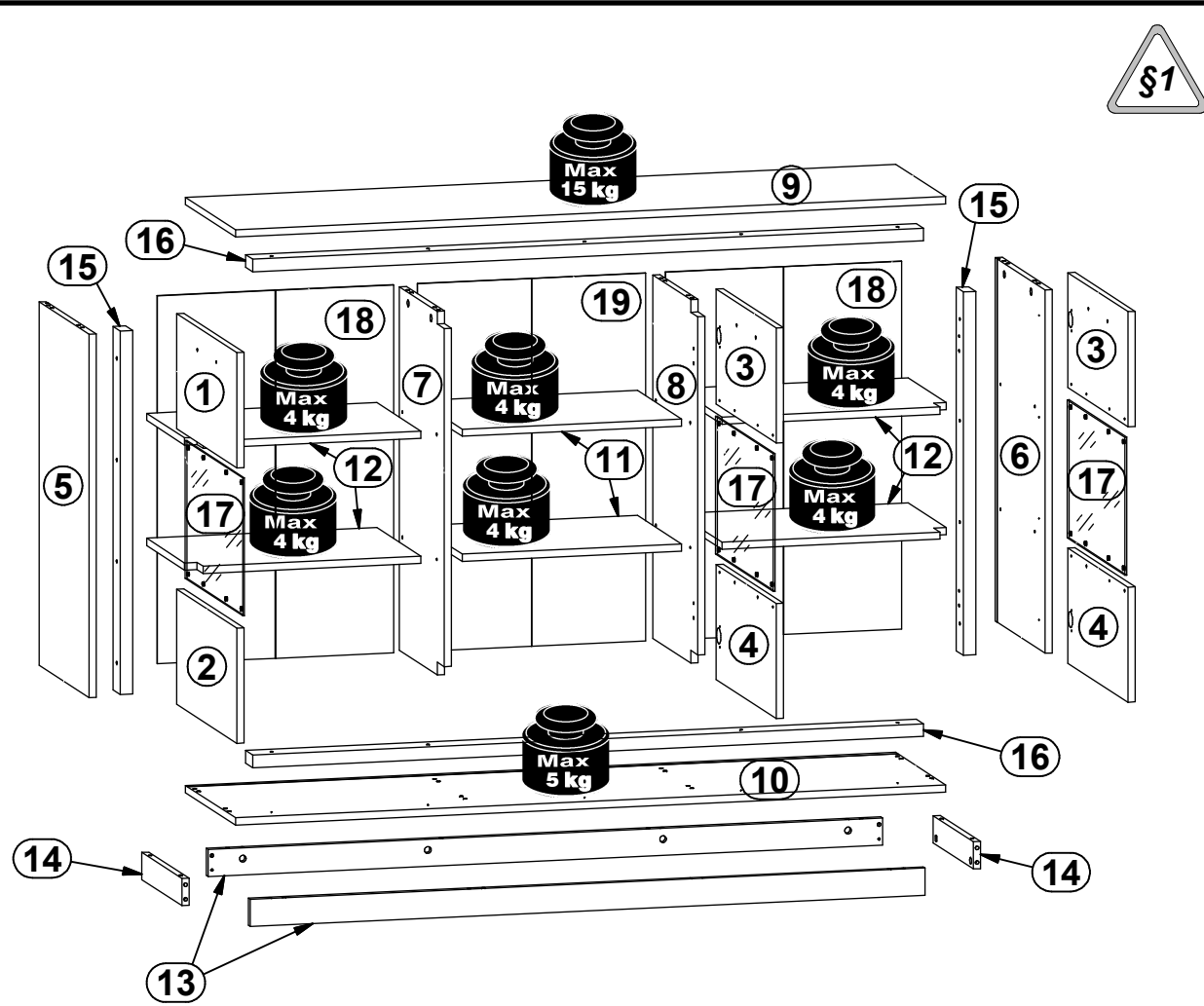
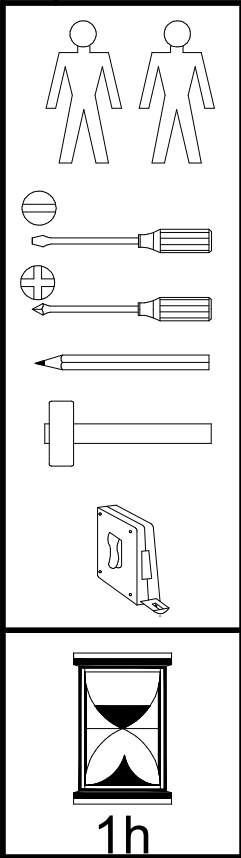
7 



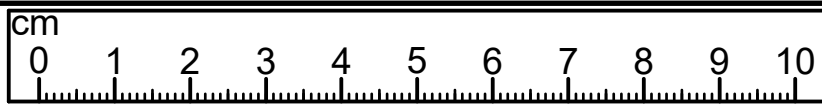
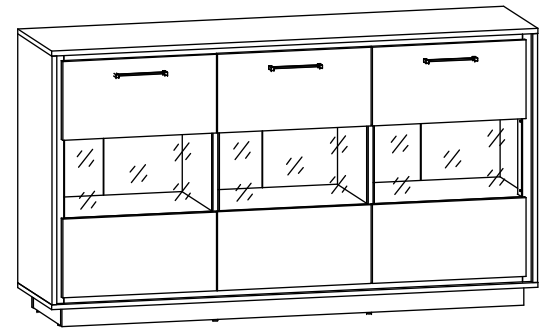
8







A	B	C (mm)			D
1	S605-0005	505	254	16	1/3
2	S605-0006	505	254	16	1/3
3	S605-0007	505	254	16	1/3
4	S605-0008	505	254	16	1/3
5	S605-1005	802	420	16	3/3
6	S605-1006	802	420	16	3/3
7	S605-1007	802	378	16	2/3
8	S605-1008	802	378	16	2/3
9	S605-2001	1597	420	16	2/3
10	S605-2002	1597	420	16	2/3
11	S605-3005	493	370	16	3/3
12	S605-3006	518	370	16	3/3
13	S605-4003	1517	60	16	2/3
14	S605-4004	338	60	16	3/3
15	S605-4005	802	60	28	3/3
16	S605-4006	1508	60	28	2/3
17	S605-5501	485	304	4	3/3
18	S605-9302	812	531	2,5	2/3
19	S605-9303	812	513	2,5	2/3

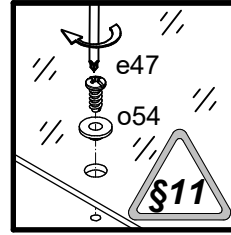
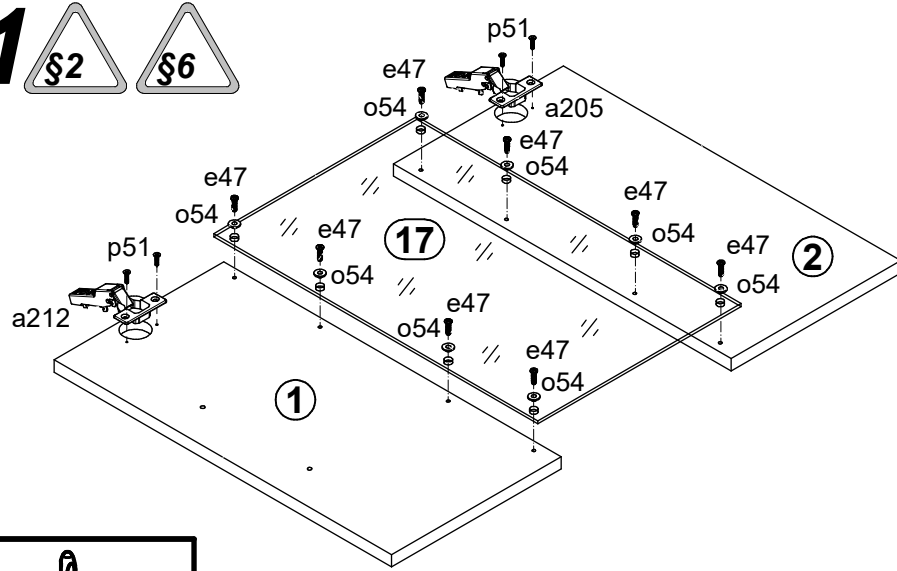


D
3/3

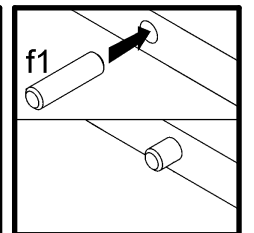
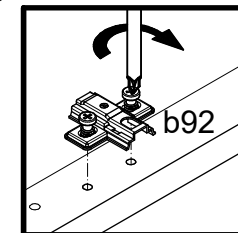
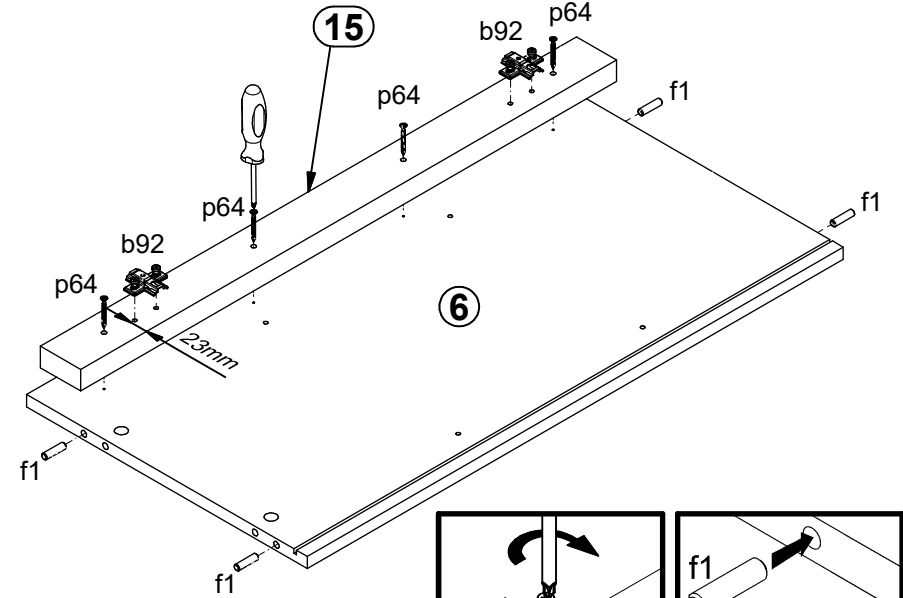
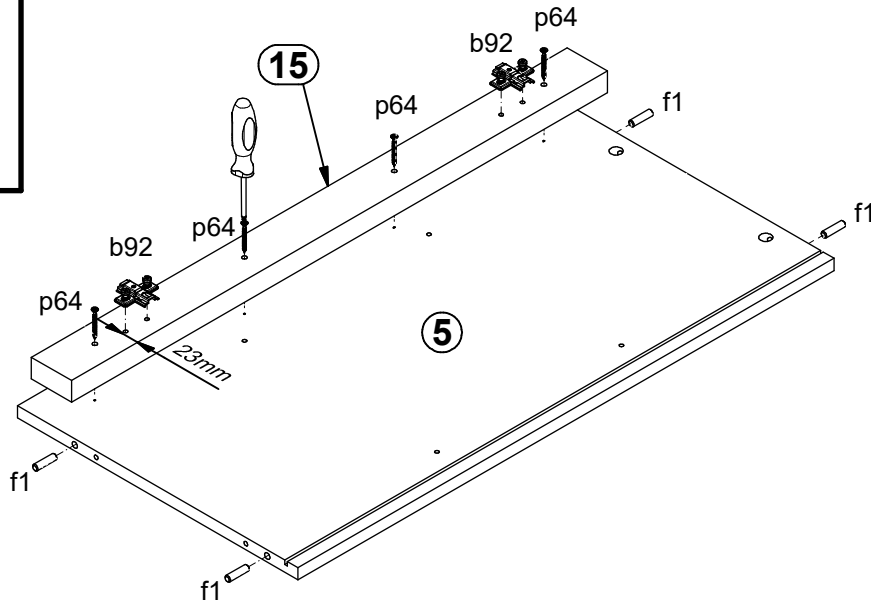
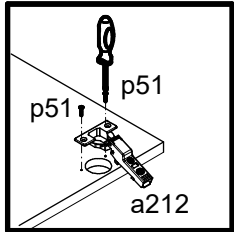
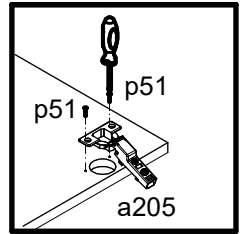
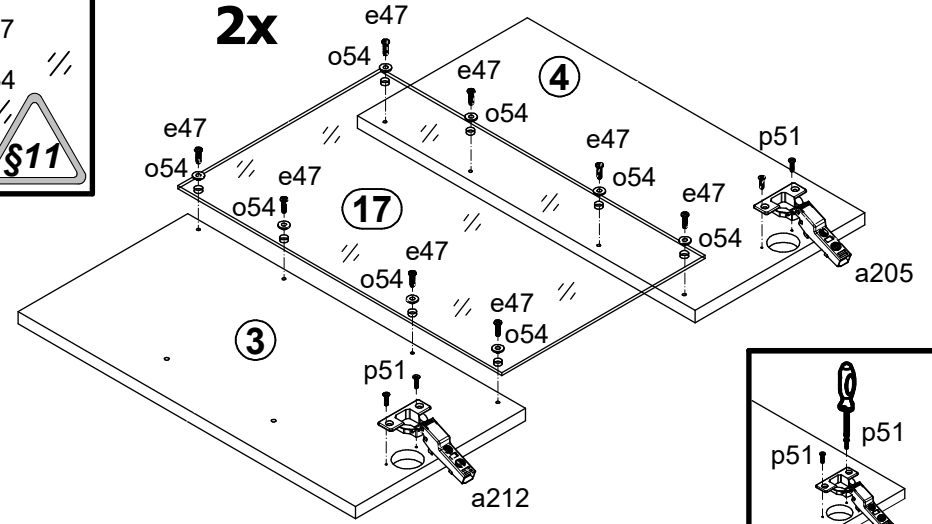
3x a205	3x a212	6x b92	3x c559\3	24x d1	8x e1	24x e47	32x f1	6x j30	8x k1	10x l2	8x n108	24x o54
12x p51	8x p55	18x p64	20x r1	20x r42	1x n26	1x p38	18x s59	8x s68	1x z1			




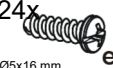


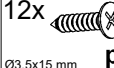



**1**  

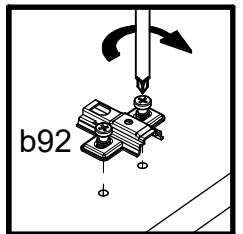
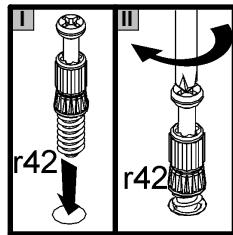
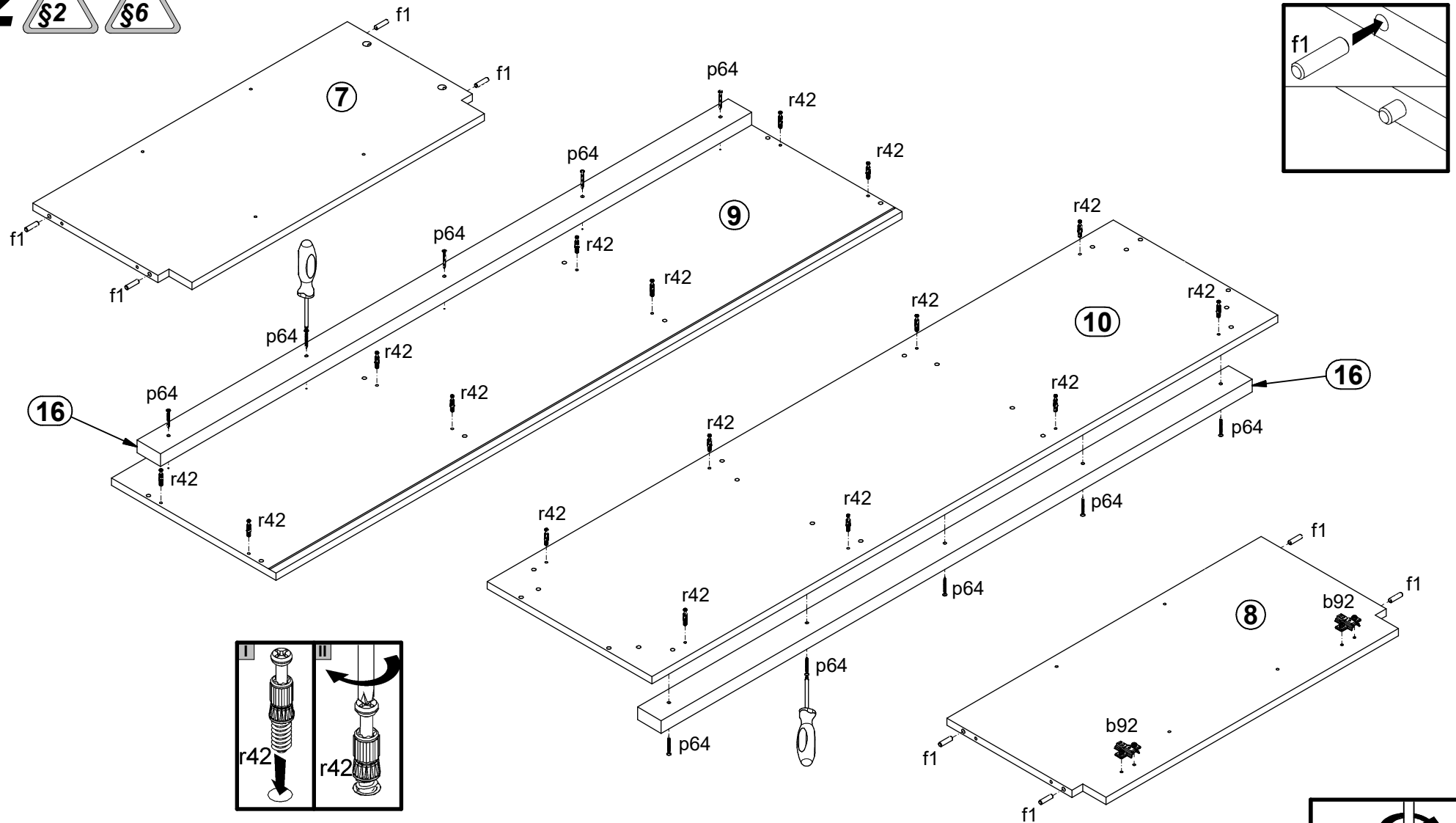



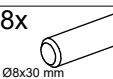

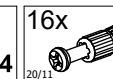
**2x**



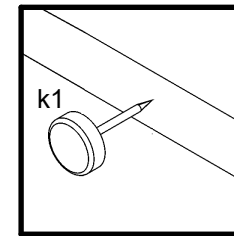
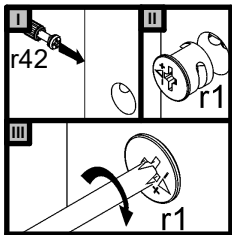
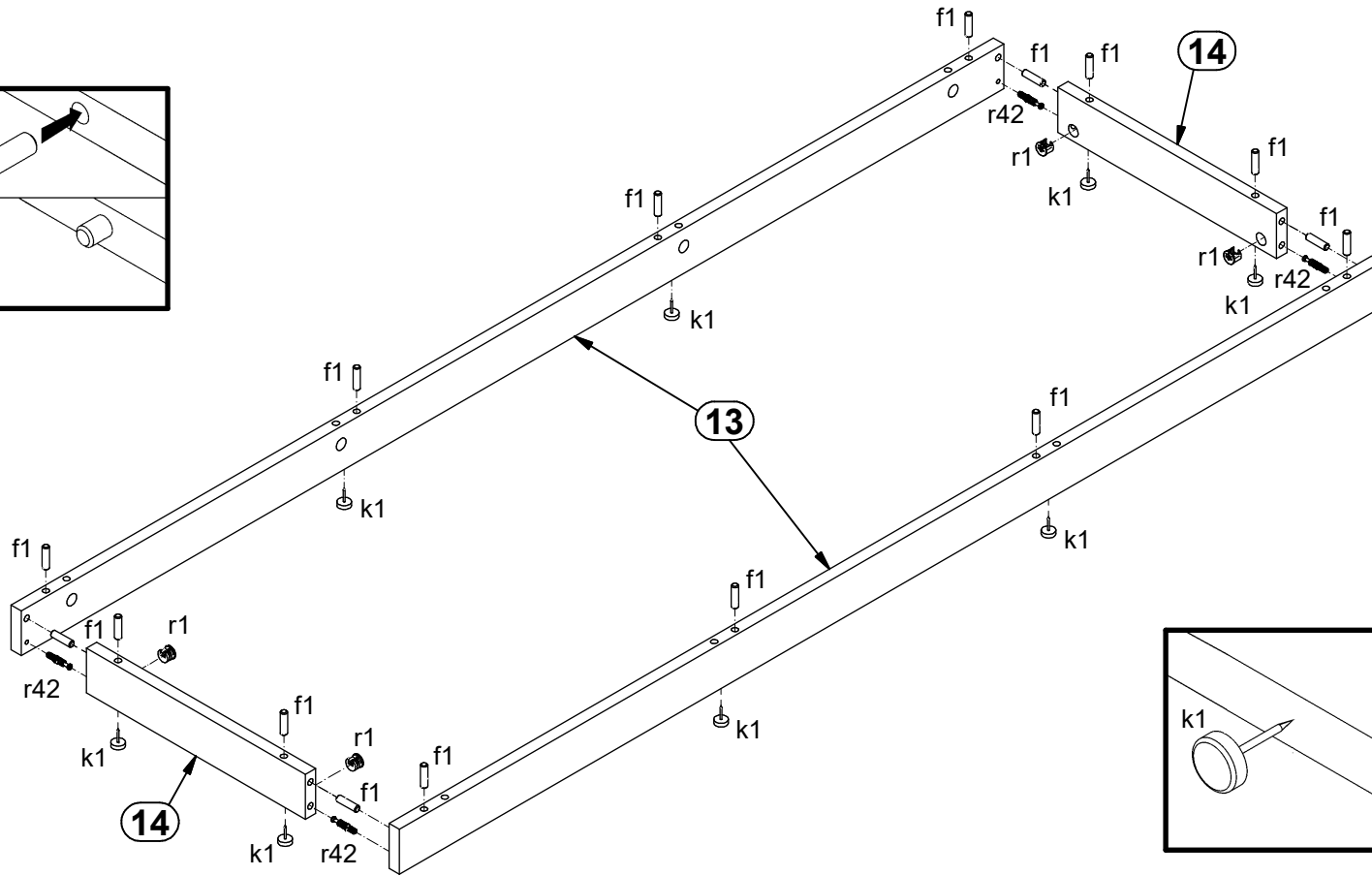
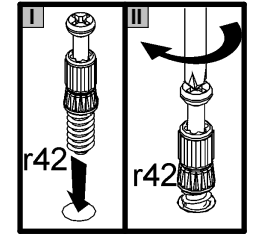
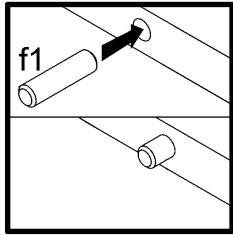
- 3x  a205
- 3x  a212
- 4x  b92
- 24x  e47 Ø5x16 mm
- 8x  f1 Ø8x30 mm
- 24x  o54 Ø5,3/Ø8,3x4,8 mm
- 12x  p51 Ø3,5x15 mm
- 8x  p64 Ø4x40 mm

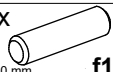


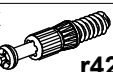
2  



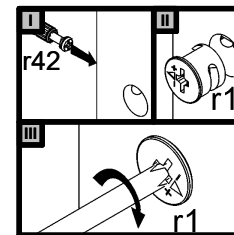
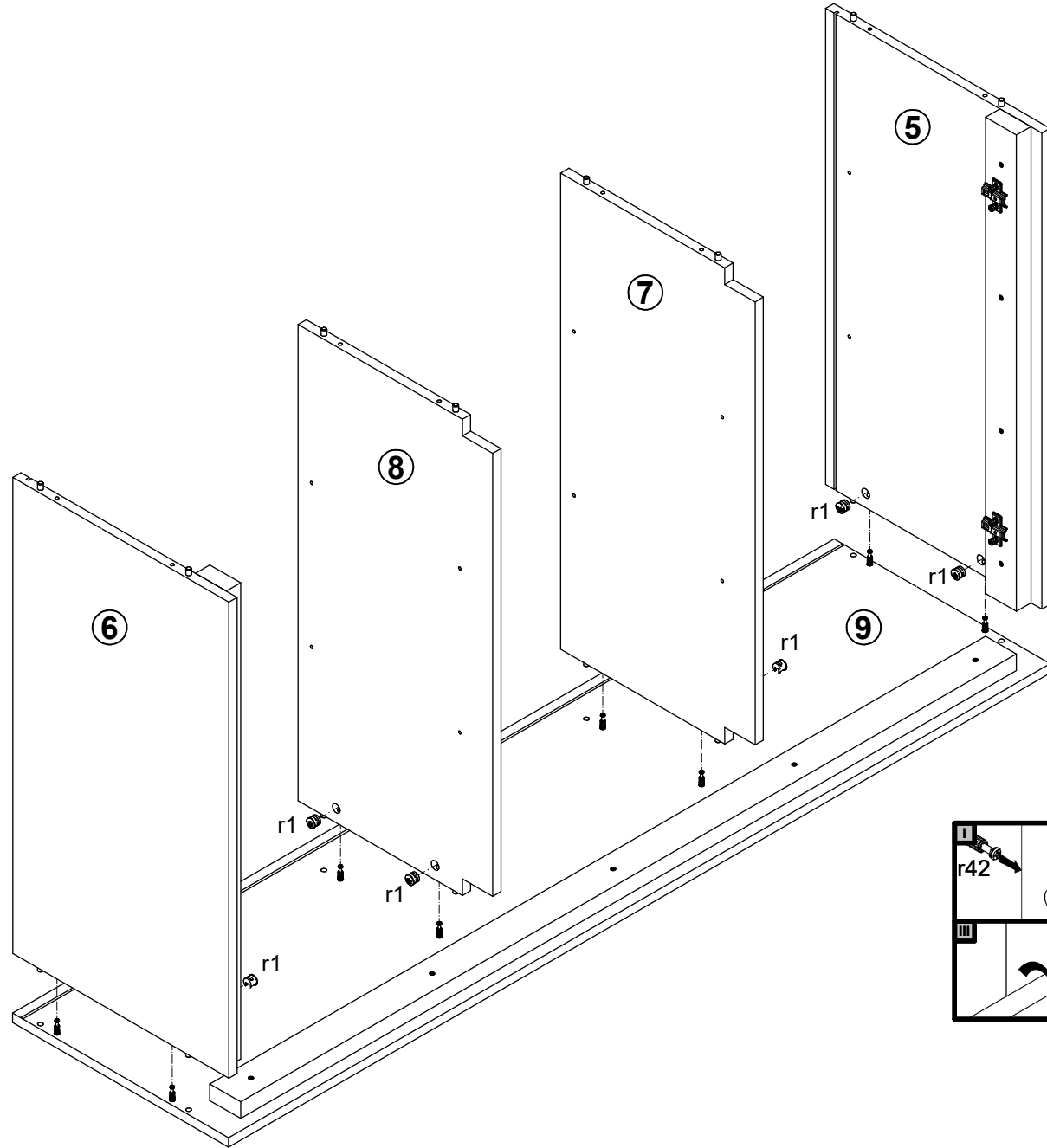
- 2x  b92
- 8x  f1
- 10x  p64
- 16x  r42


3  



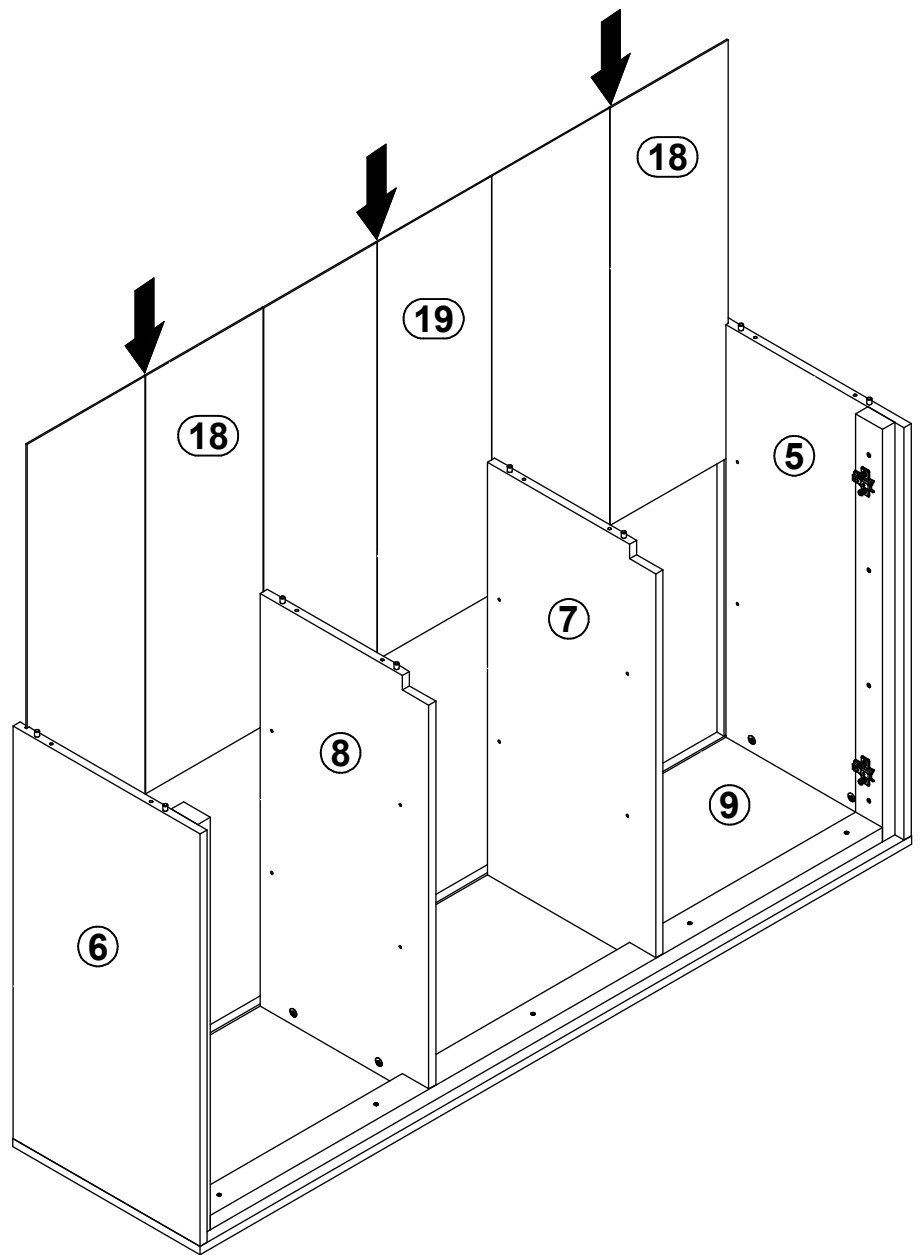
- 16x  f1 Ø8x30 mm
- 8x  k1
- 4x  r1 Ø15x12 mm #16
- 4x  r42 20/11

4 

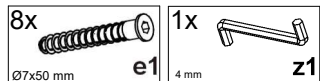
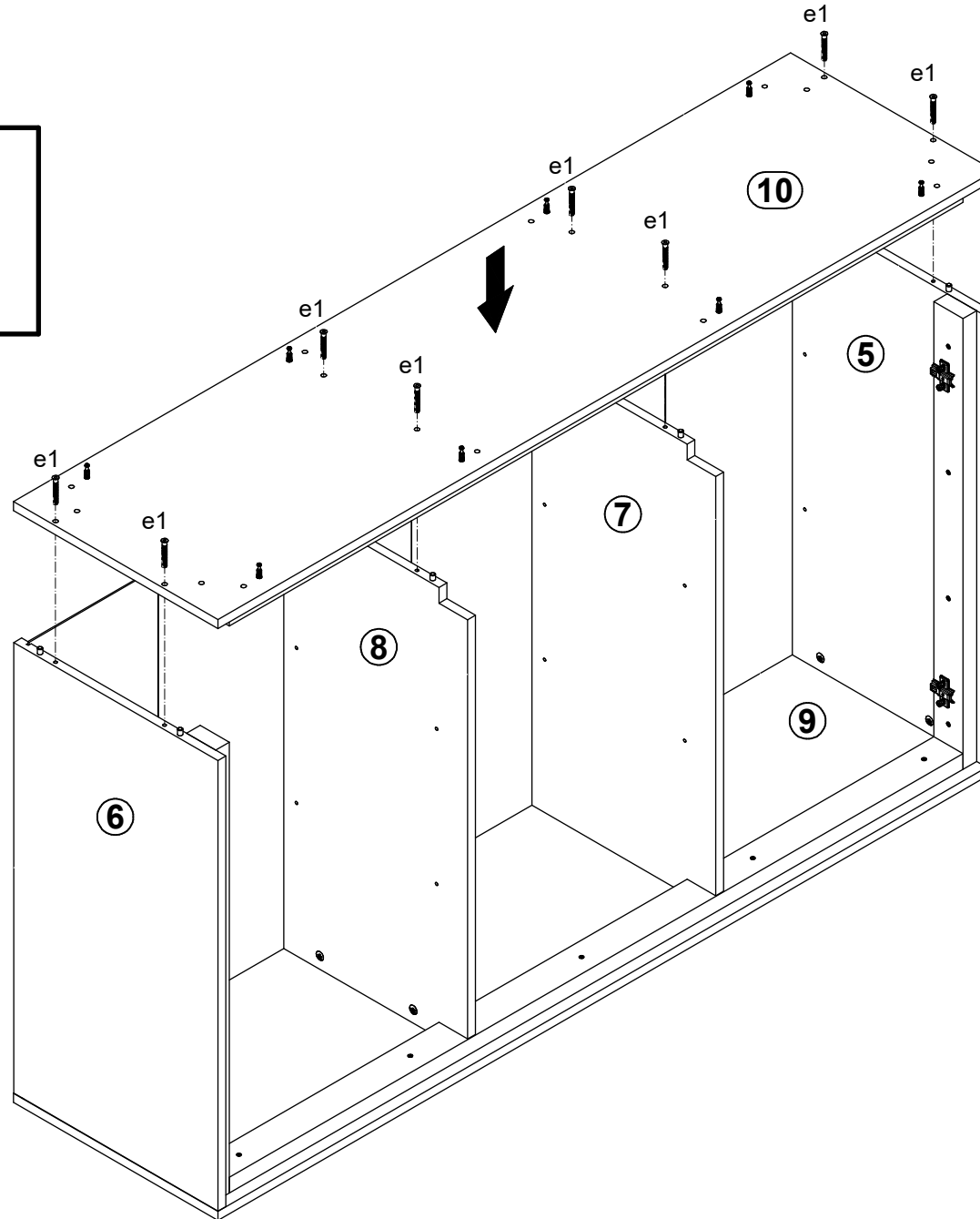
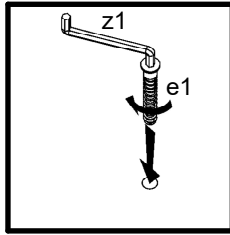


8x   $\varnothing 15 \times 12 \text{ mm} \#16$  r1

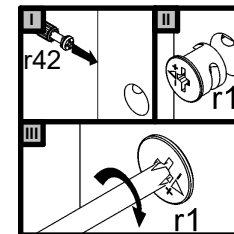
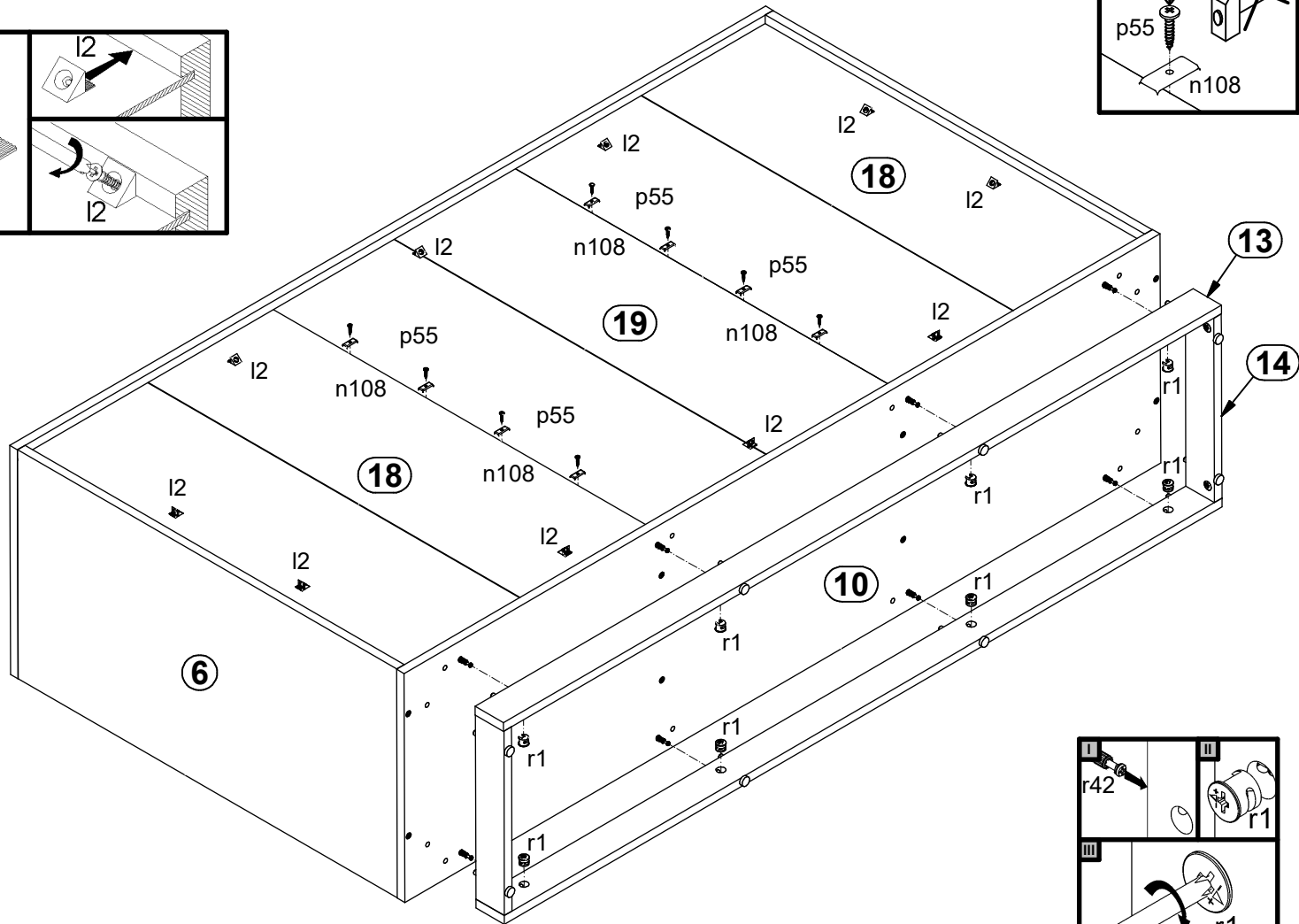
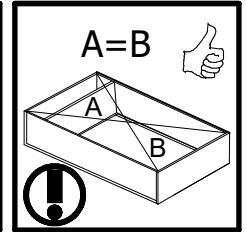
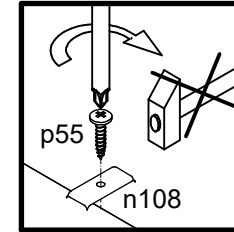
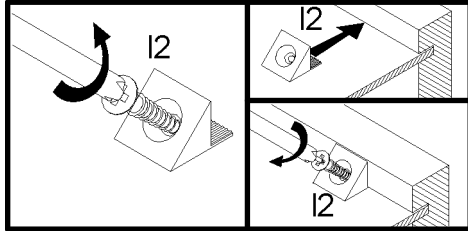
**5** 



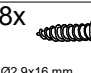
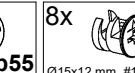


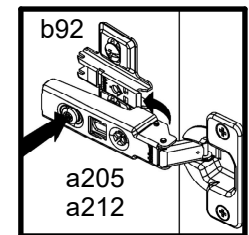
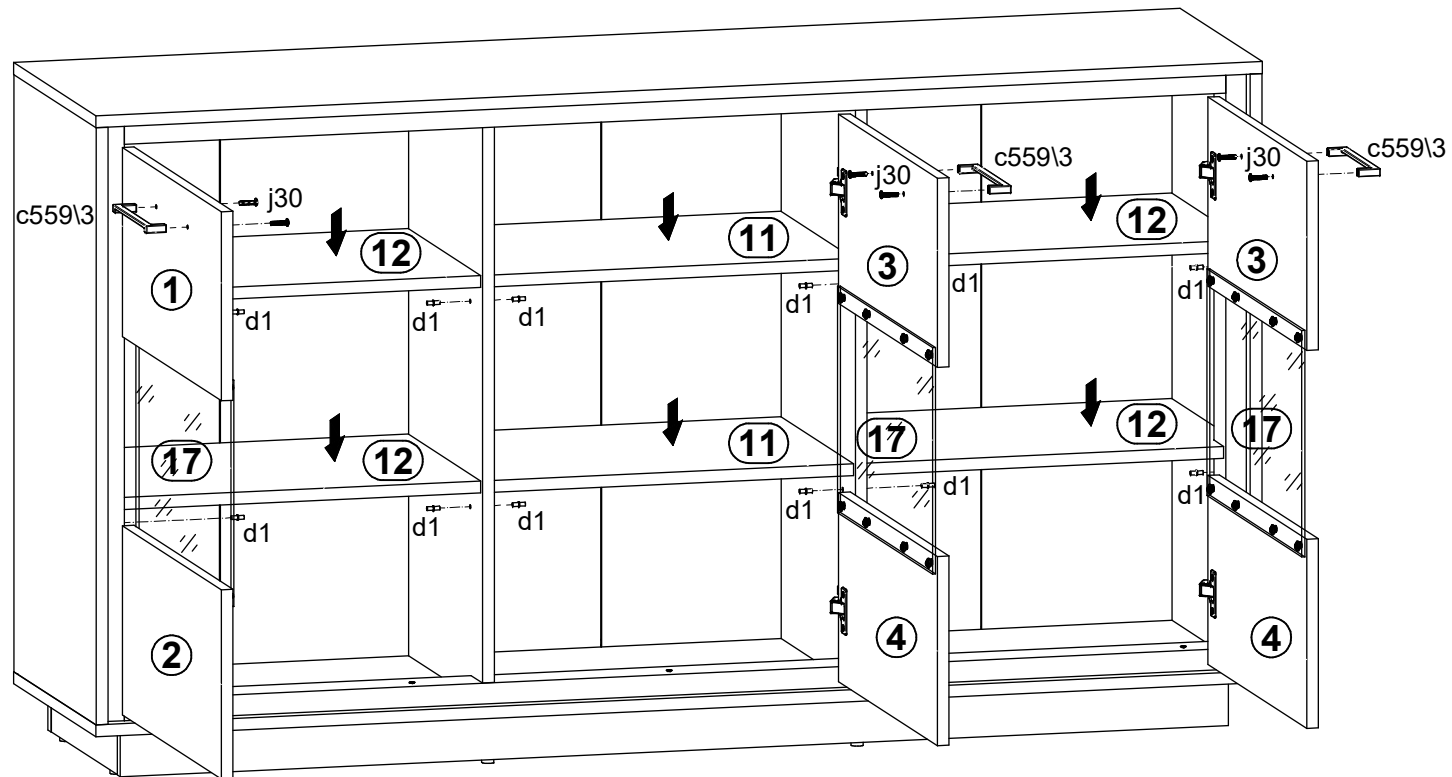
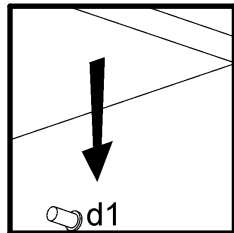
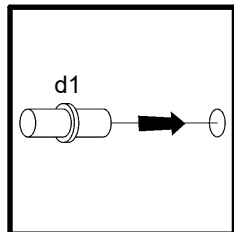
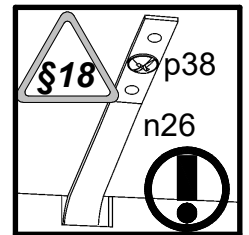
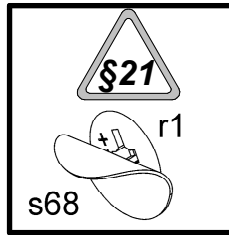
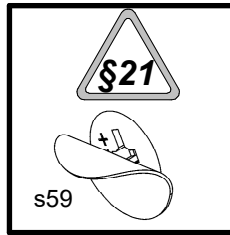
6 

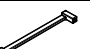
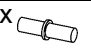







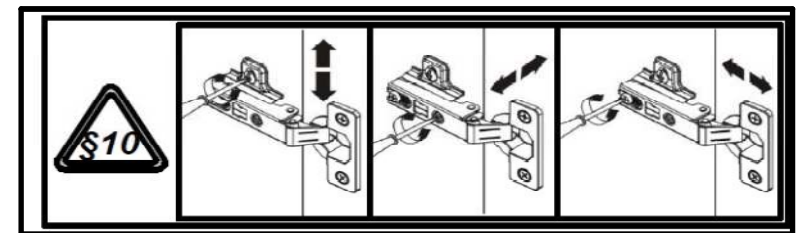
7  



- 10x  l2
- 8x  n108 22x9,5x2,0,7 mm
- 8x  p55 Ø2,9x16 mm
- 8x  r1 Ø15x12 mm #16



- 3x  c559\3  
160mm
- 24x  d1  
Ø5x17 mm
- 6x  j30  
M4x22 mm
- 1x  n26
- 1x  p38  
Ø3.5x16 mm
- 18x  s59  
Ø14x0.5 mm
- 8x  s68  
Ø 20mm





9

