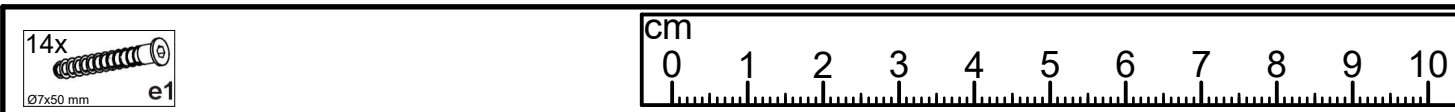
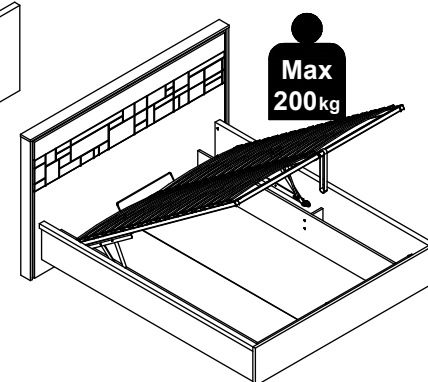
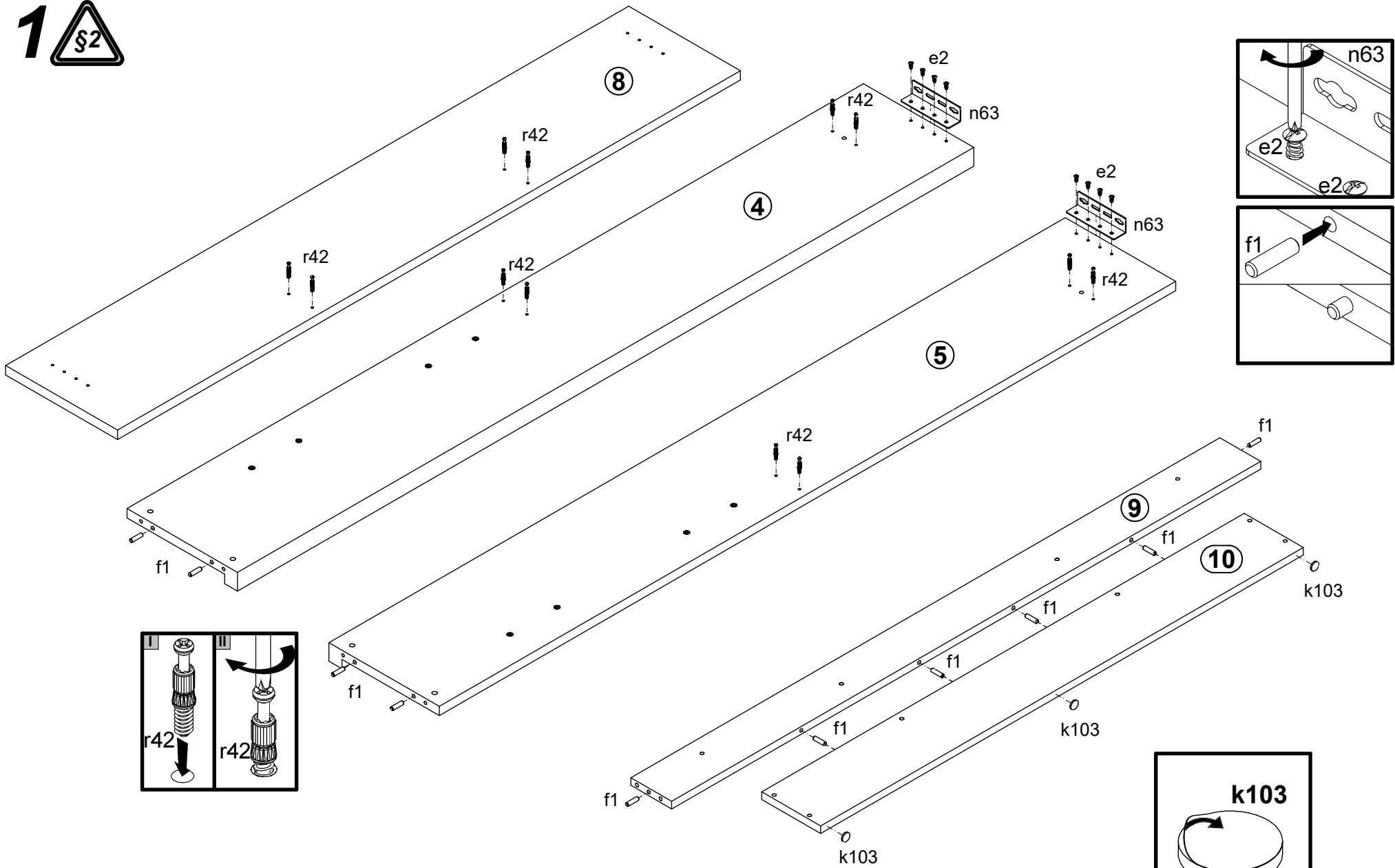


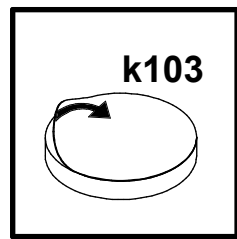
A	B	C (mm)			D
1	S605-0036	1779	254	16	2/6
2	S605-0037	1779	150	16	1/6
3	S605-0038	1779	699	16	1/6
4	S605-4020	2000	300	44	3/6
5	S605-4021	2000	300	44	3/6
6	S605-4022	1124	910	18	4/6
7	S605-4023	1124	910	18	4/6
8	S605-4024	1692	304	22	2/6
9	S605-4025	1600	111	18	2/6
10	S605-4026	1311	160	18	2/6
11	S605-4027	1837	271	18	2/6
12	S605-4028	145	100	16	2/6
13	S605-4030	1124	90	18	4/6
14	S605-4032	1858	92	18	1/6
15	S605-9006	1835	636	6	1/6



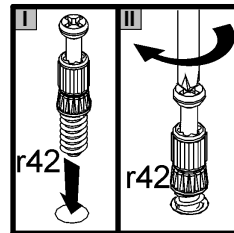
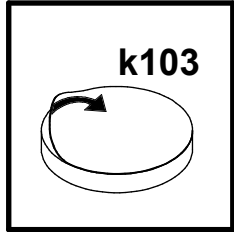
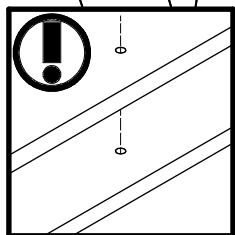
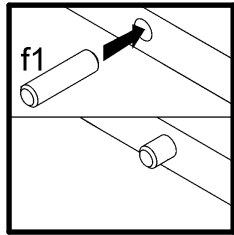
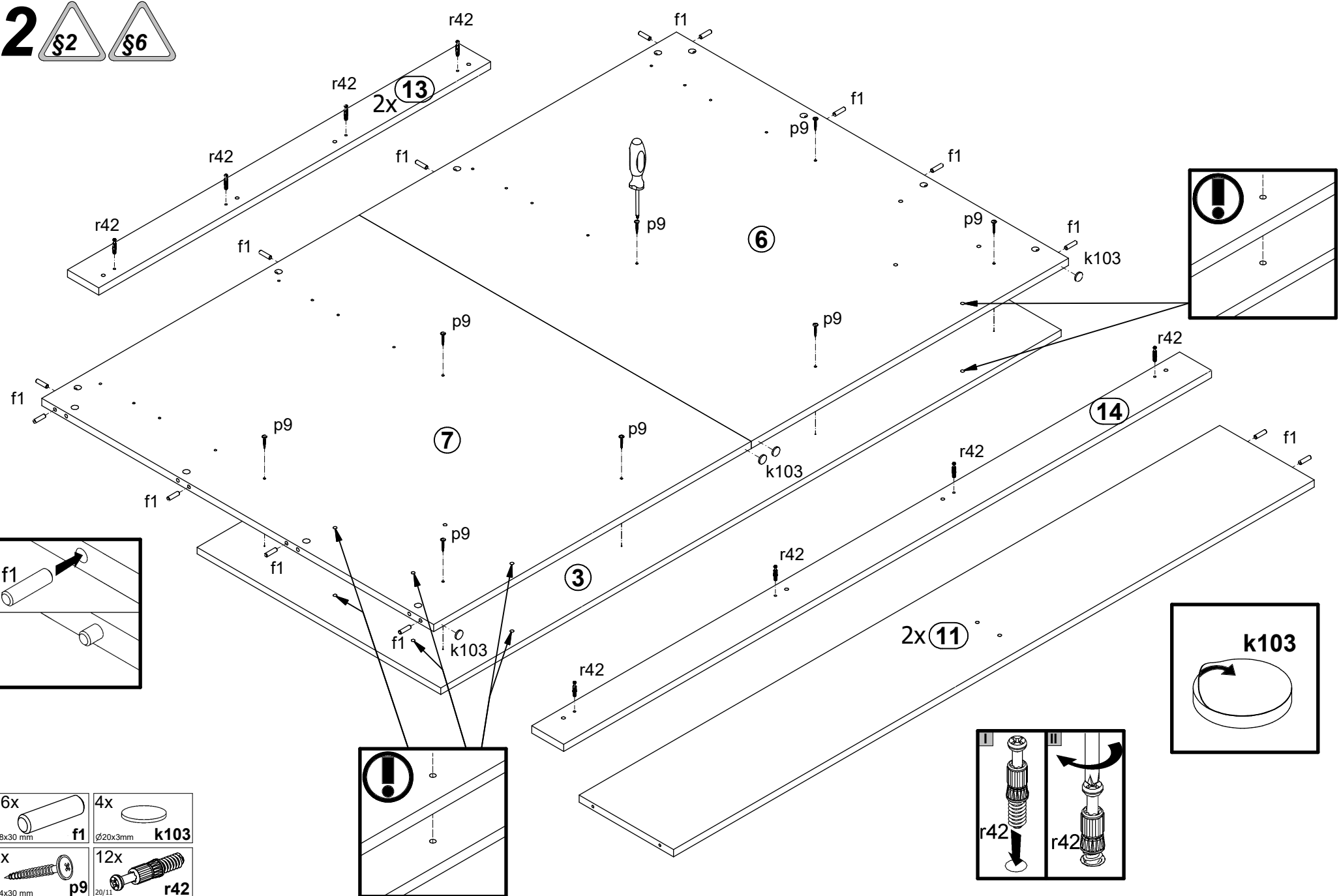
D
2/6



- 8x e2 $\varnothing 6,3 \times 13 \text{ mm}$
- 10x f1 $\varnothing 8 \times 30 \text{ mm}$
- 3x k103 $\varnothing 20 \times 3 \text{ mm}$
- 2x n63 $130 \times 34 \times 34 / 2 \text{ mm}$
- 12x r42 $\varnothing 20 / 11$

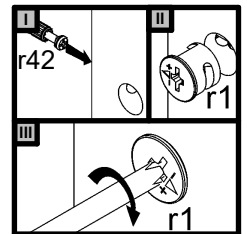
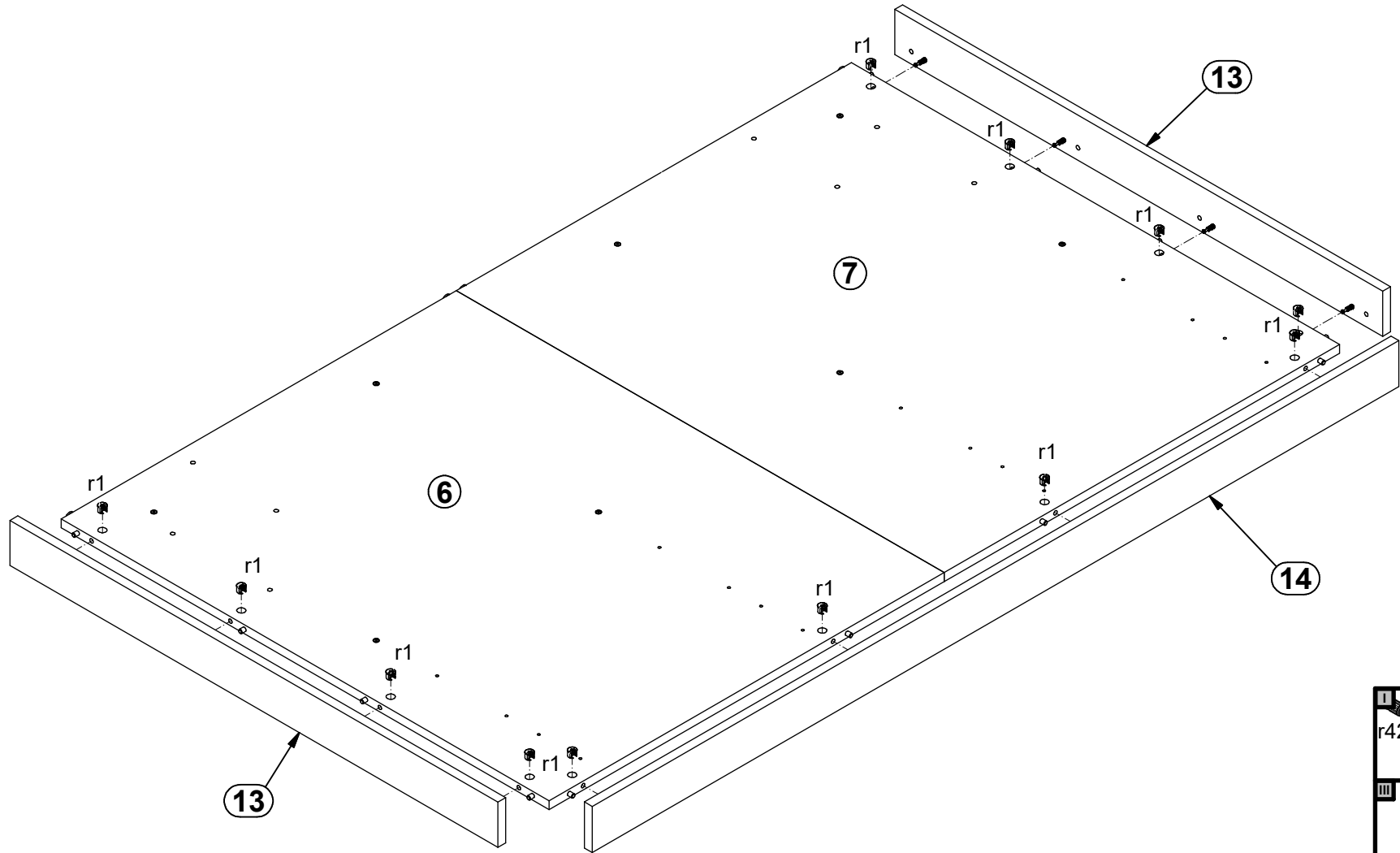



2  



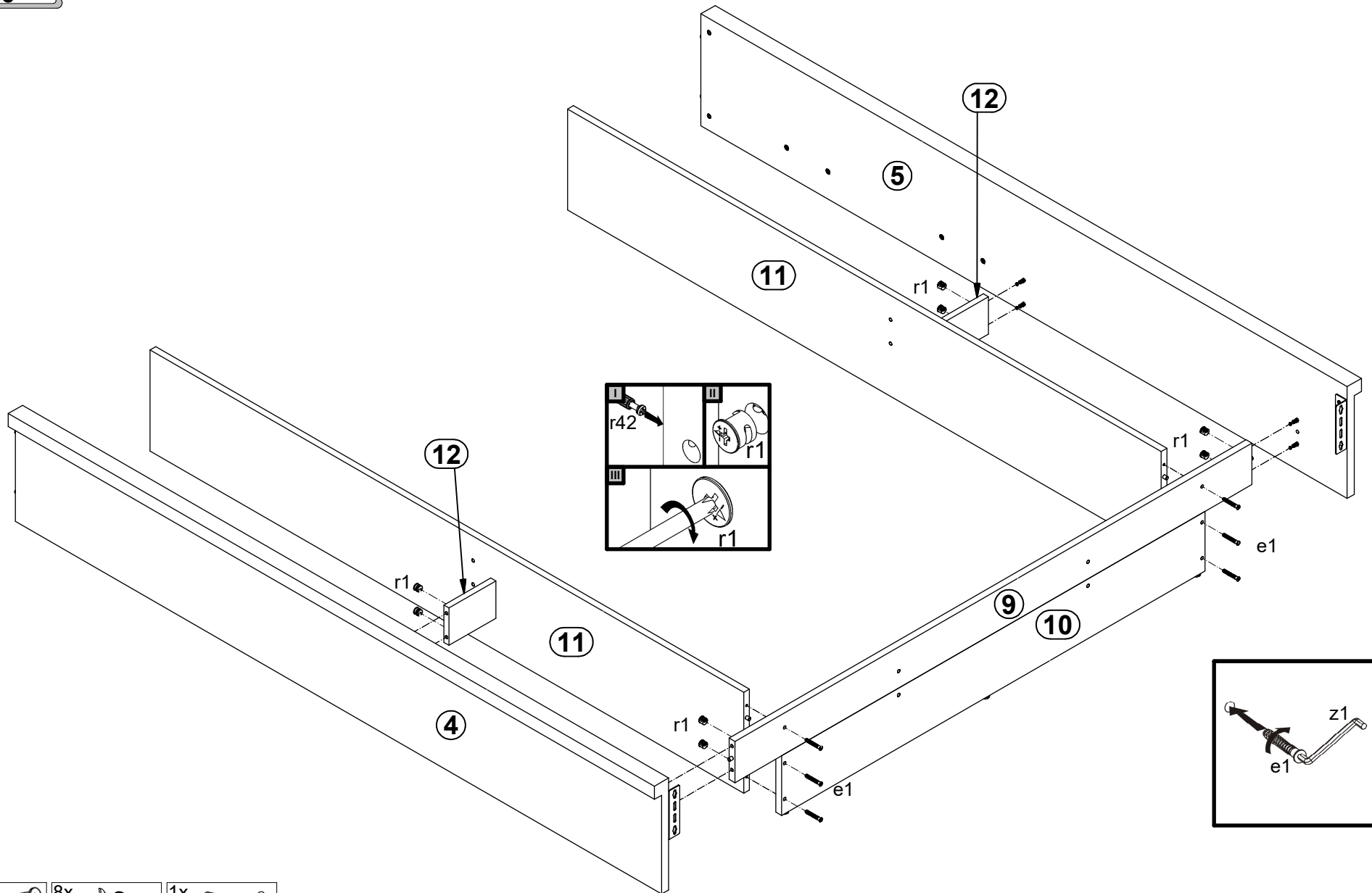
- | | |
|-----------------------|-----------------------|
| 16x
Ø8x30 mm
f1 | 4x
Ø20x3mm
k103 |
| 8x
Ø4x30 mm
p9 | 12x
20/11
r42 |

3 §6



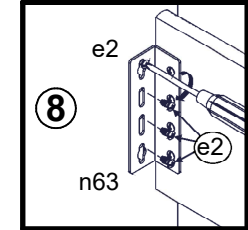
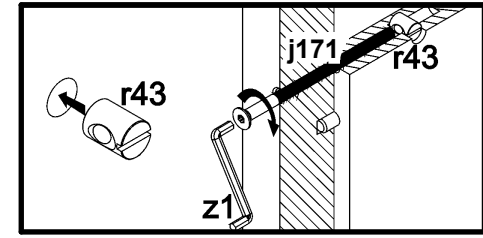
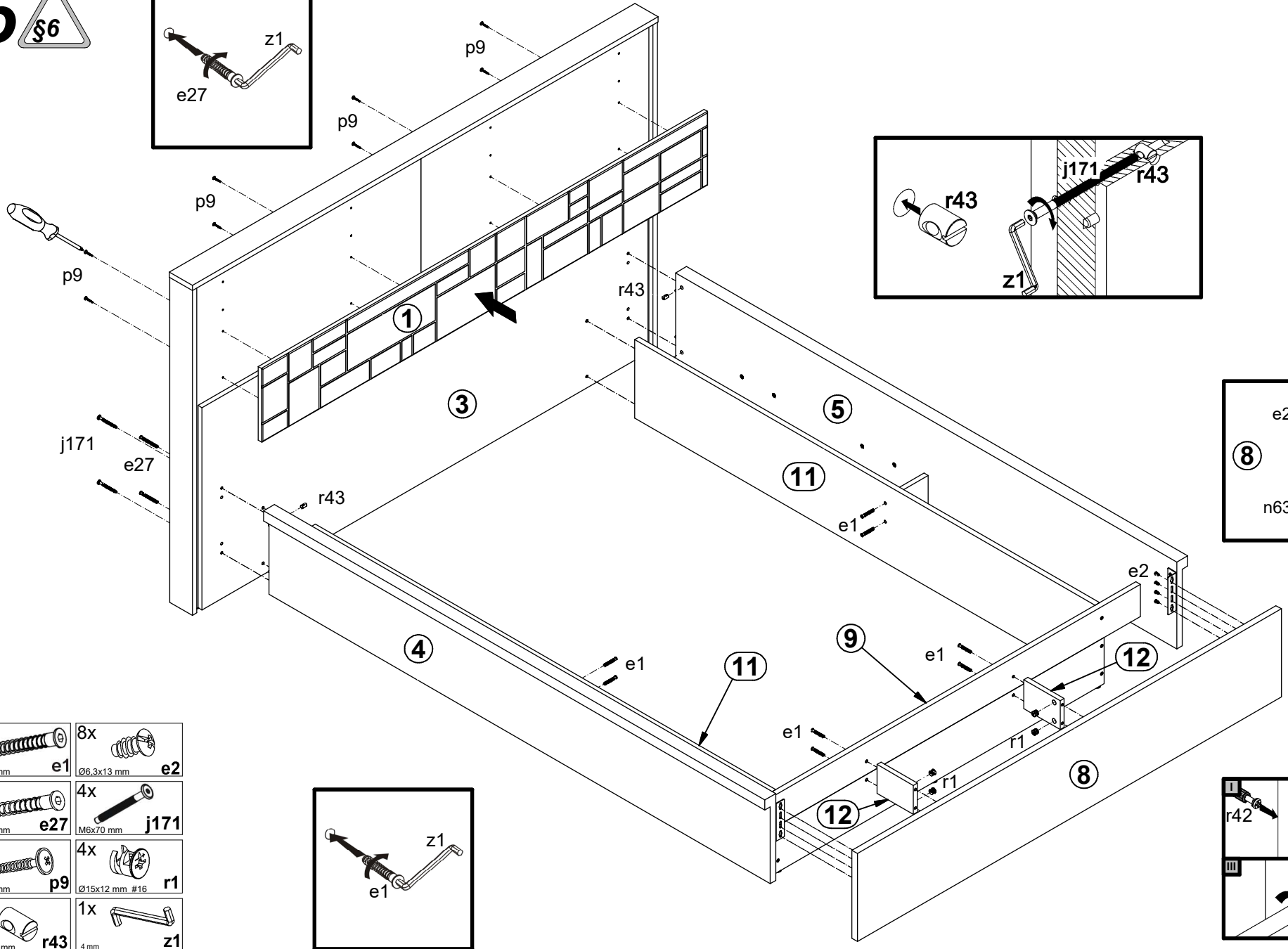
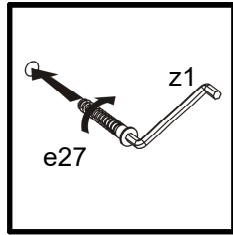
12x  r1
Ø15x12 mm #16

4 §6

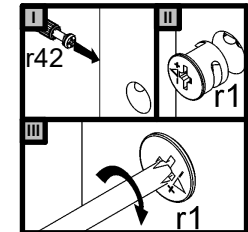
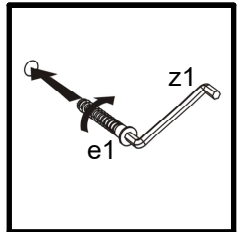


- 6x e1 $\varnothing 7 \times 50 \text{ mm}$
- 8x r1 $\varnothing 15 \times 12 \text{ mm} \# 16$
- 1x z1 4 mm

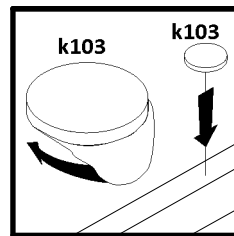
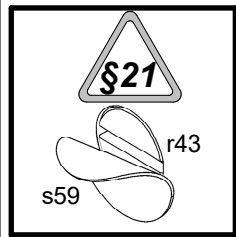
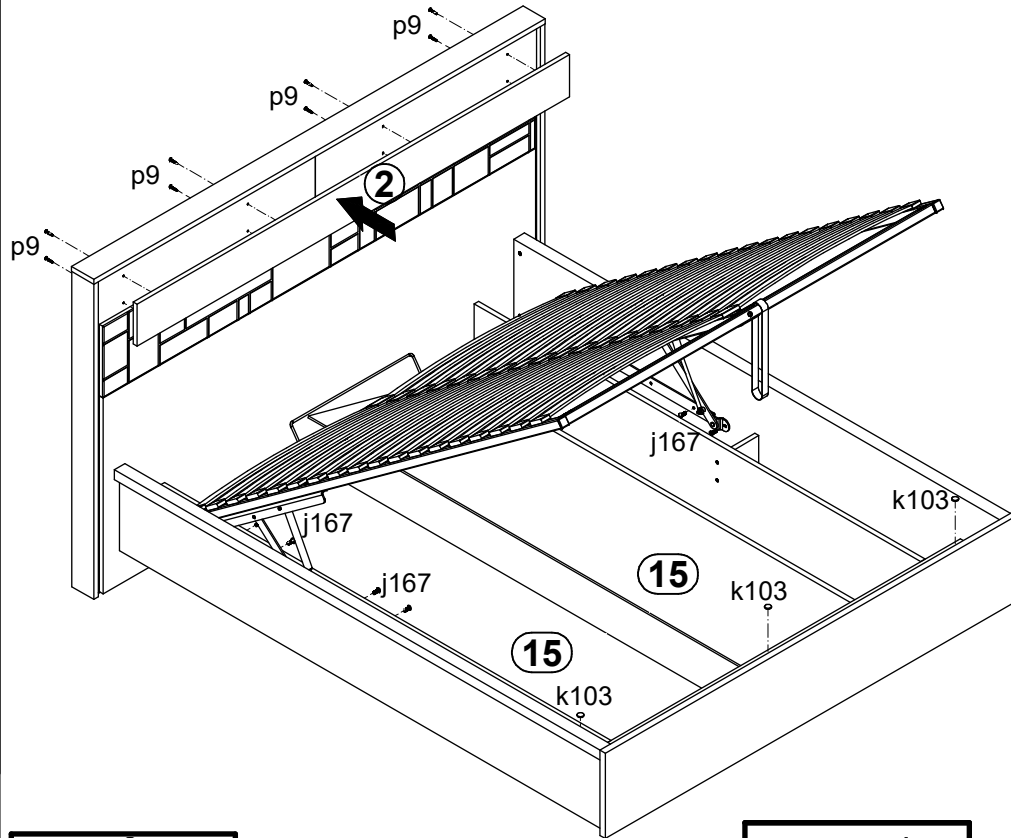
5 §6



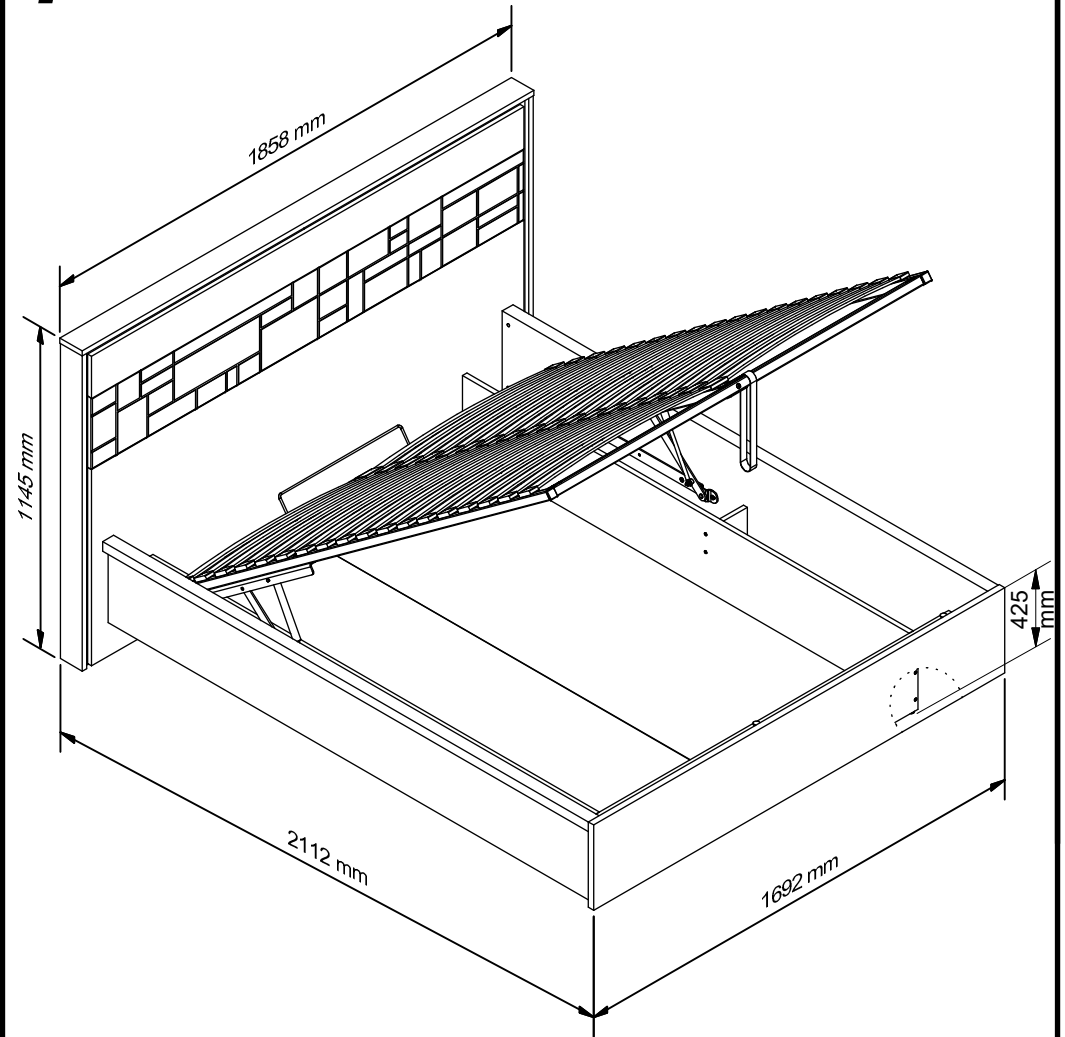
8x Ø7x50 mm e1	8x Ø6.3x13 mm e2
4x Ø7x70 mm e27	4x M6x70 mm j171
8x Ø4x30 mm p9	4x Ø15x12 mm #16 r1
4x Ø10x16 mm r43	1x 4 mm z1








6 



7



- 8x  j167
- 3x  k103
- 8x  p9
- 2x  s59
- 1x  z1