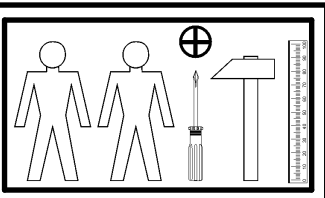
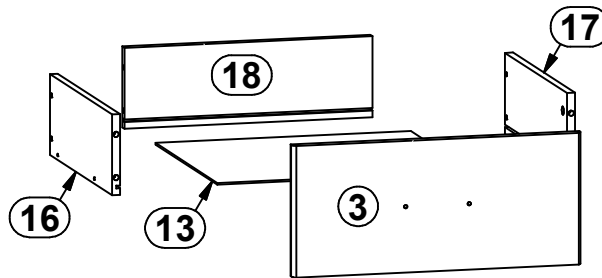
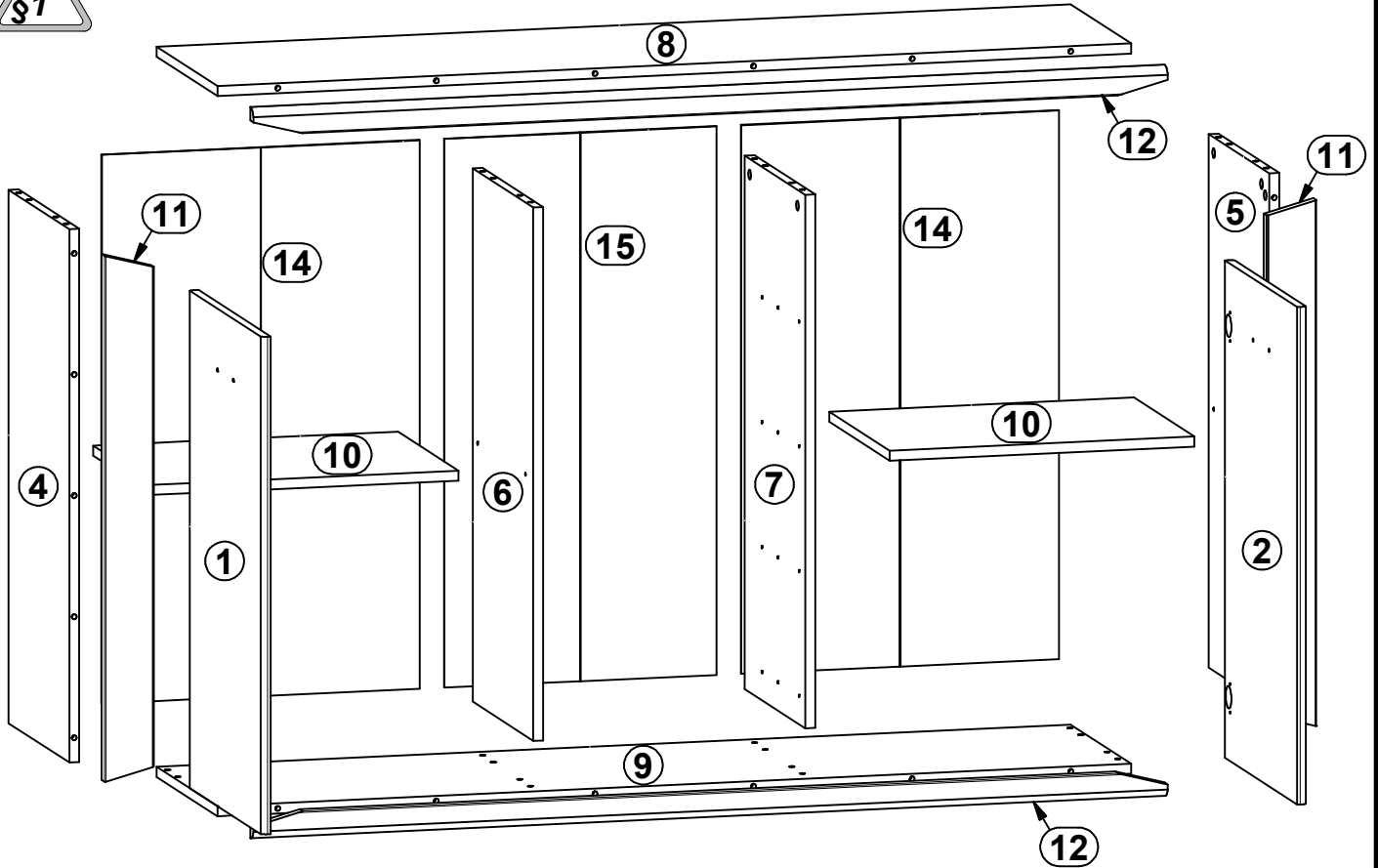
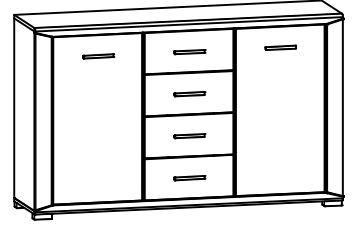


PALEMO

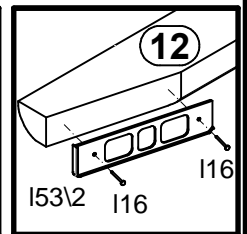
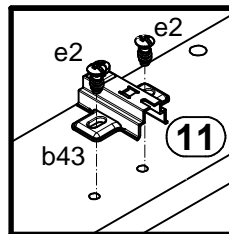
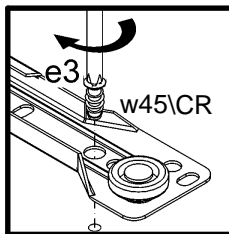
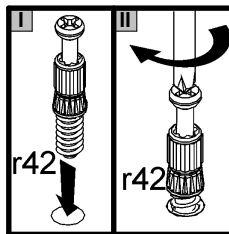
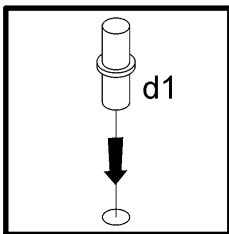
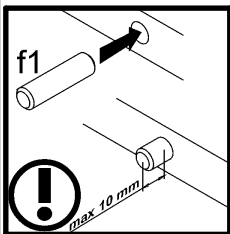
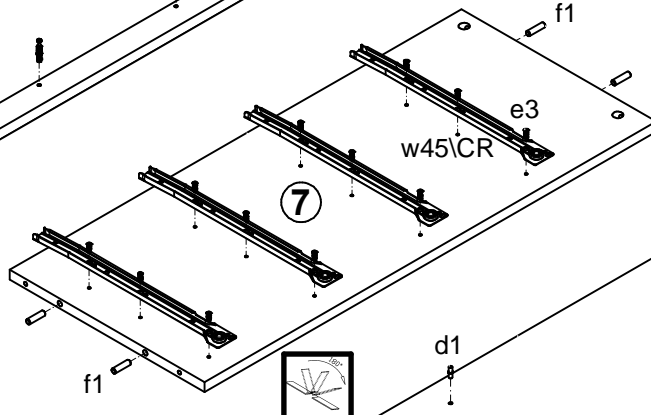
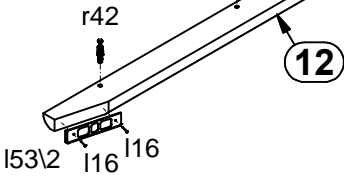
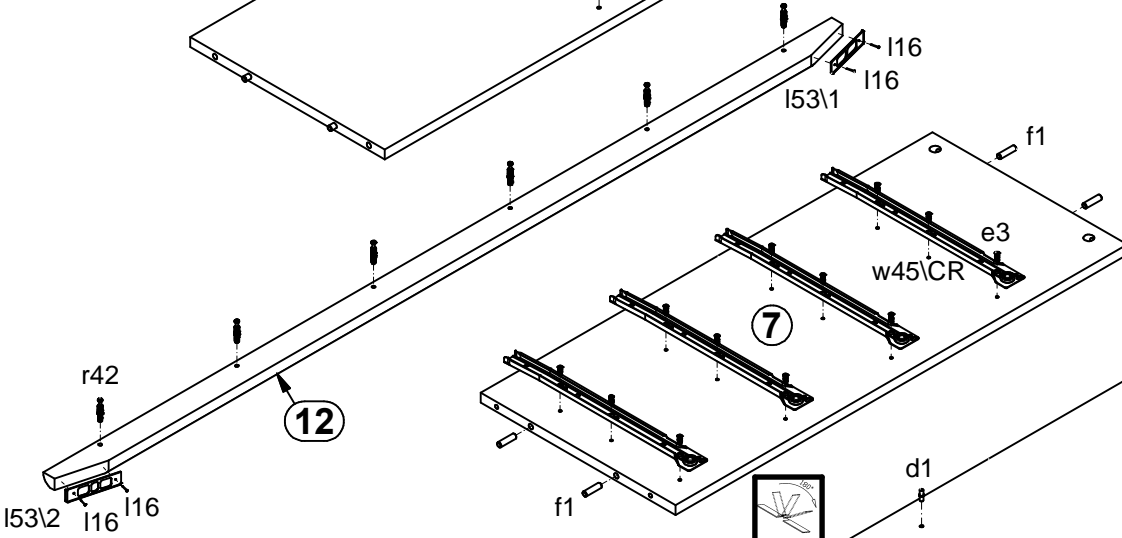
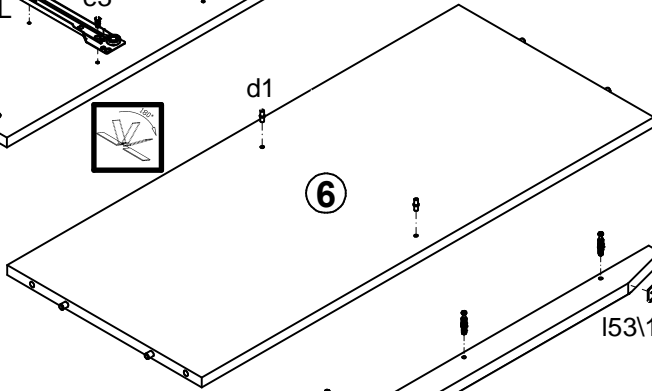
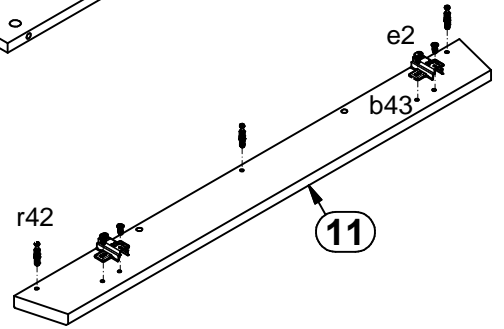
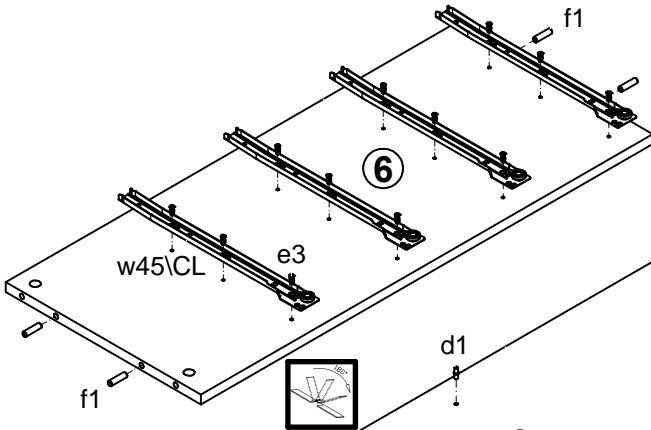
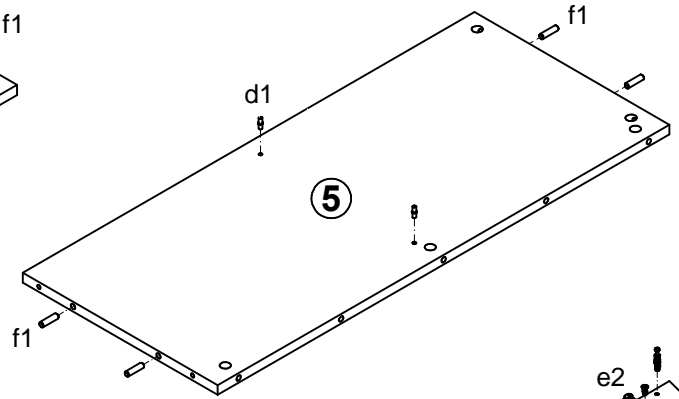
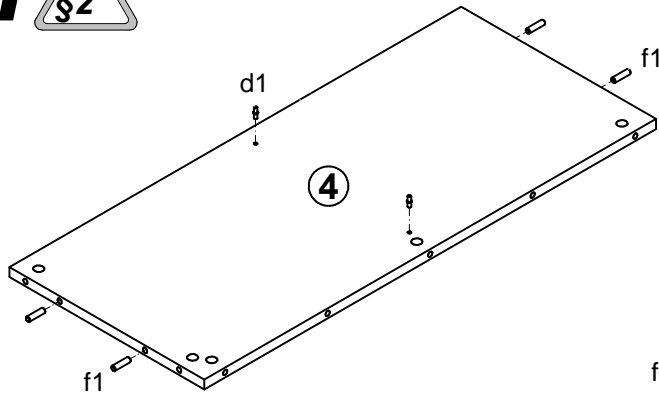
S159-KOM2D4S

A	B	C	D	A	B	C	D		
1	S159-003	789	435	4/4	10	S159-301	492	364	1/4
2	S159-004	789	435	4/4	11	S159-575	834	80	3/4
3	S159-005	435	195	4/4	12	S159-576	1476	42	3/4
4	S159-107	846	365	1/4	13	S159-906	385	348	1/4
5	S159-108	846	365	1/4	14	S159-907	870	513	1/4
6	S159-110	846	365	1/4	15	S159-908	870	439	1/4
7	S159-111	846	365	1/4	16	ZS2-511	350	120	2/4
8	S159-207	1475	365	2/4	17	ZS2-512	350	120	2/4
9	S159-208	1475	365	2/4	18	ZS2-5591	374	120	2/4

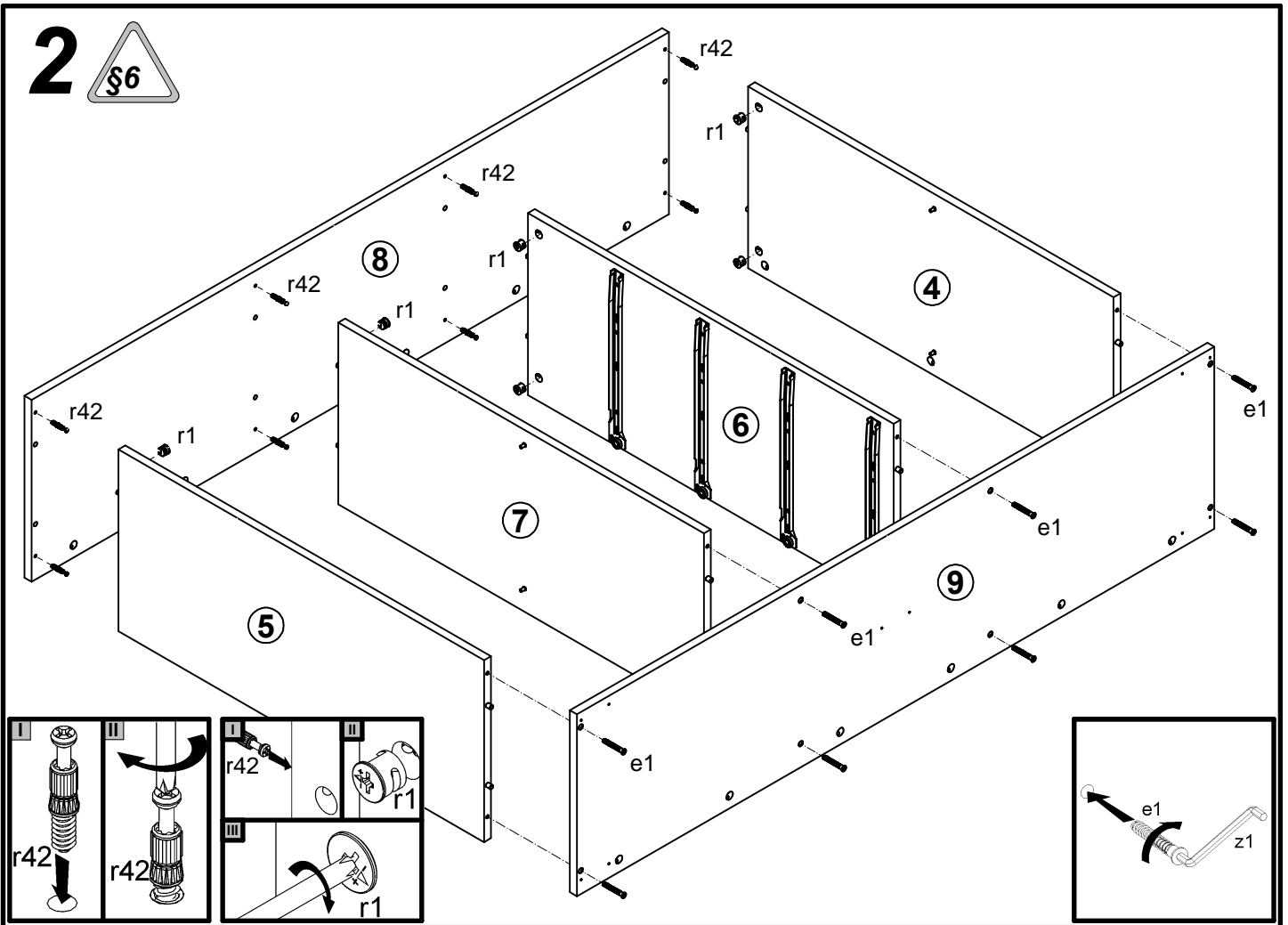


4x a99	4x b43	6x c335	8x d1 Ø5x17 mm	8x e1 Ø7x50 mm	16x e19 Ø5x9 mm	8x e2 Ø6.3x13 mm	24x e3 Ø6x13 mm	20x f1 Ø8x30 mm
16x f25 Ø6.5x40 mm	5x k77 84x40/25 mm	100x l1	8x l16 1x12 mm	2x l53\1	2x l53\2	10x p36 Ø4x25 mm	8x p51 Ø3.5x15 mm	12x p60 Ø4x22 mm
26x r1 Ø15x12 mm #16	16x r15 Ø12x10.5 mm #12	42x r42	10x s2 Ø16	4x w45\CL 350 mm	4x w45\CR 350 mm	4x w45\DL 350 mm	4x w45\DR 350 mm	1x z1
1x n26\1	1x p38 Ø3.5x16 mm							

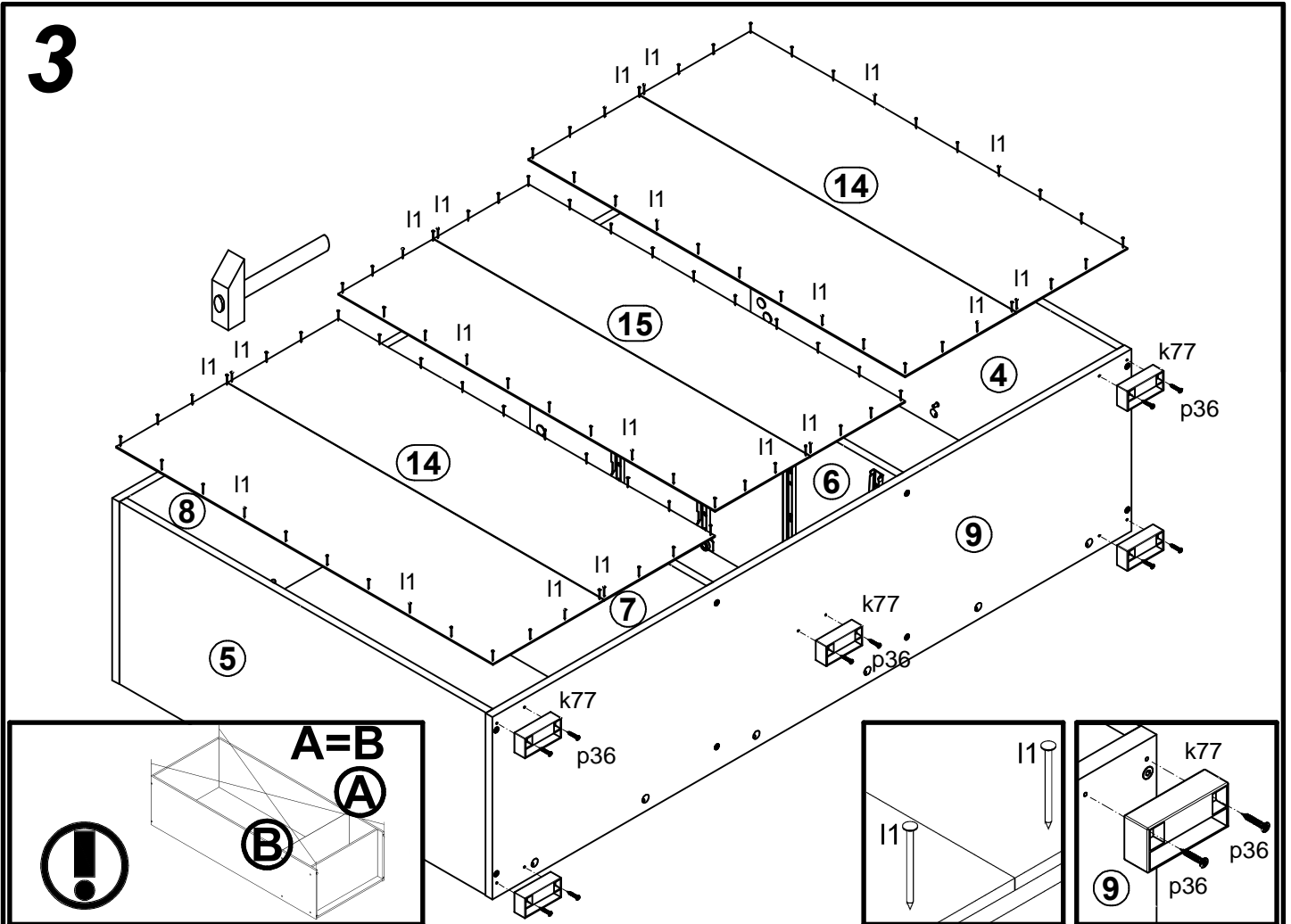
1 



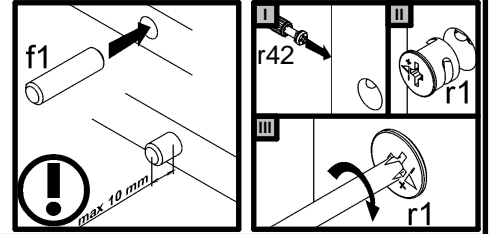
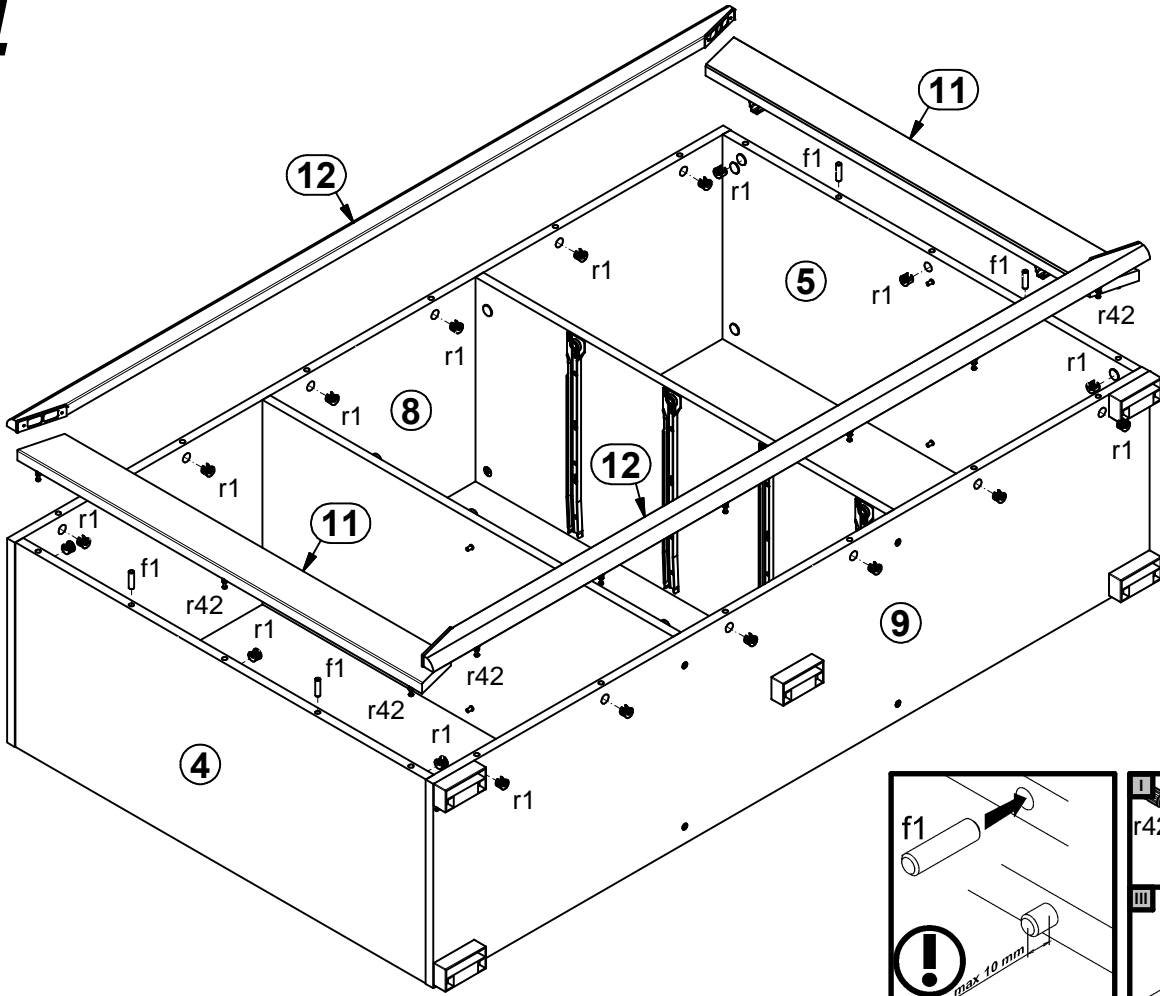
2



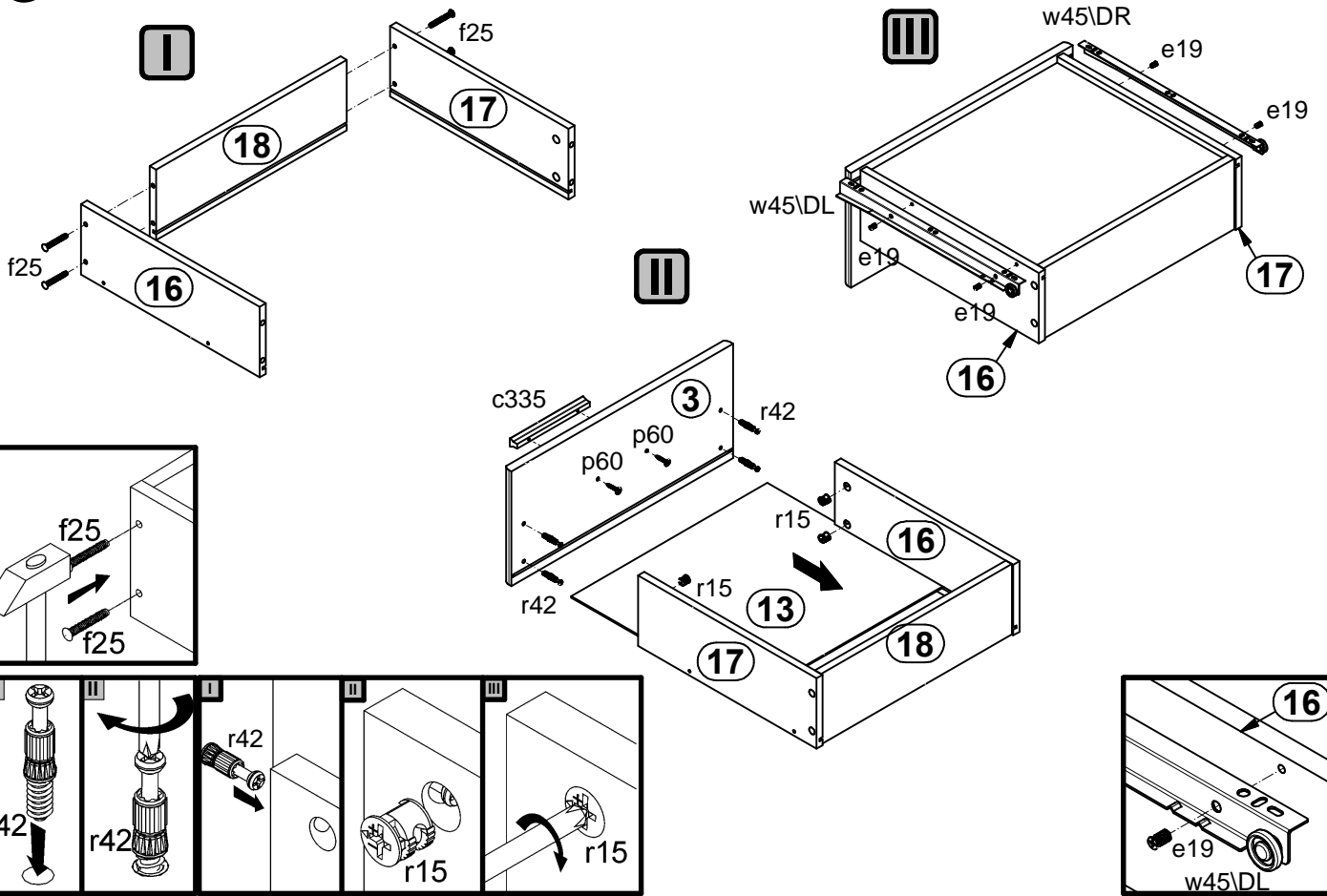
3



4



5



6

