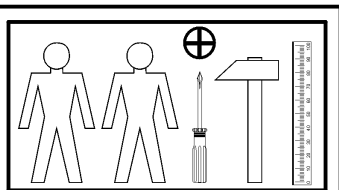


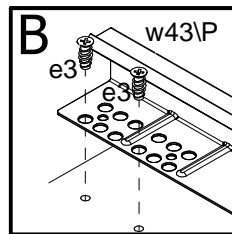
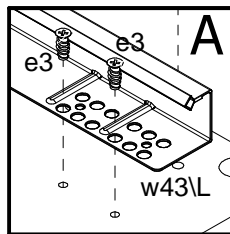
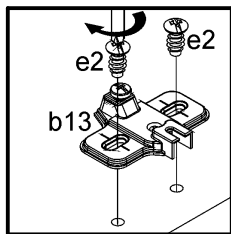
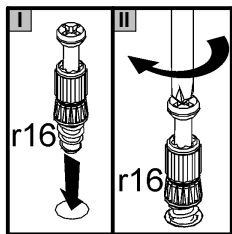
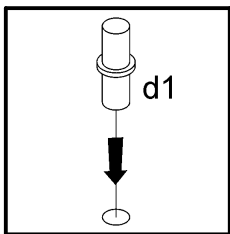
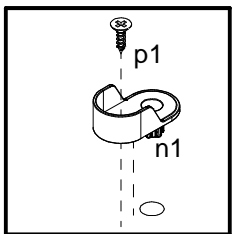
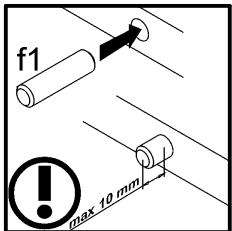
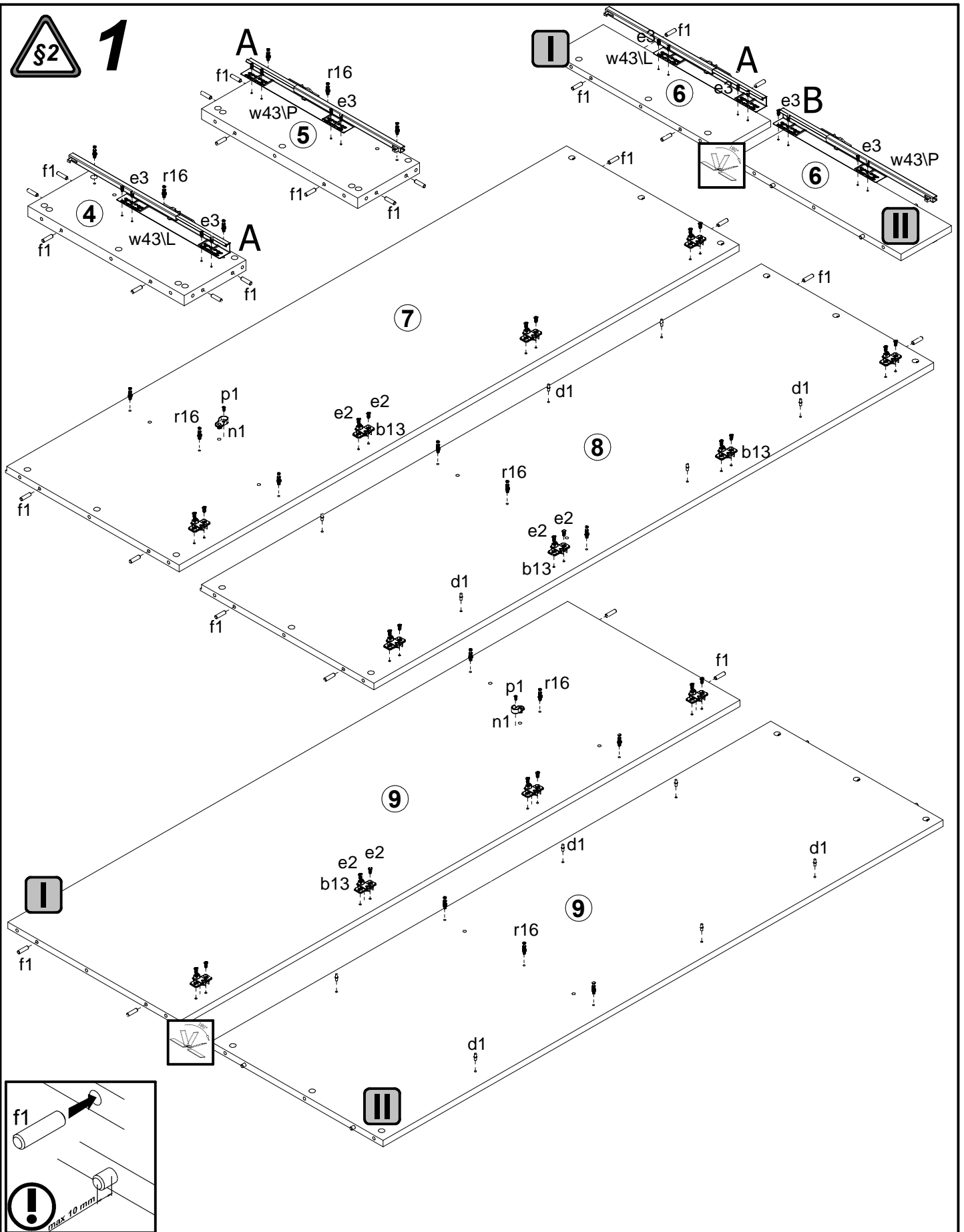
A	B	C	D	
1	S71-015	1800	495	7/8
2	S71-016	1800	495	8/8
3	S71-020	1384	196	4/8
4	S71-114	200	504	3/8
5	S71-115	200	504	3/8
6	S71-116	162	540	3/8
7	S71-117	1806	560	1/8
8	S71-118	1806	560	1/8
9	S71-119	1806	556	2/8
10	S71-209	1512	593	4/8
11	S71-211	1556	614	4/8
12	S71-308	1388	540	2/8
13	S71-310	966	556	3/8
14	S71-311	476	556	3/8
15	S71-312	474	554	3/8
16	S71-513	890	106	3/8
17	S71-514	400	106	3/8
18	S71-571	272	60	5/8
19	S71-572	272	60	5/8
20	S71-573	272	55	5/8
21	S71-574	272	55	5/8
22	S71-587	92	40	5/8
23	S71-904	190	1412	2/8
24	S71-923	901	506	2/8
25	S71-924	1829	497	1/8
26	S71-927	1829	492	1/8
27	S71-929	411	506	2/8
28	ZS1-3505	500	120	3/8
29	ZS1-3506	500	120	3/8
30	dr-960	960	30	3/8
31	lh-1805	1805	12	1/8

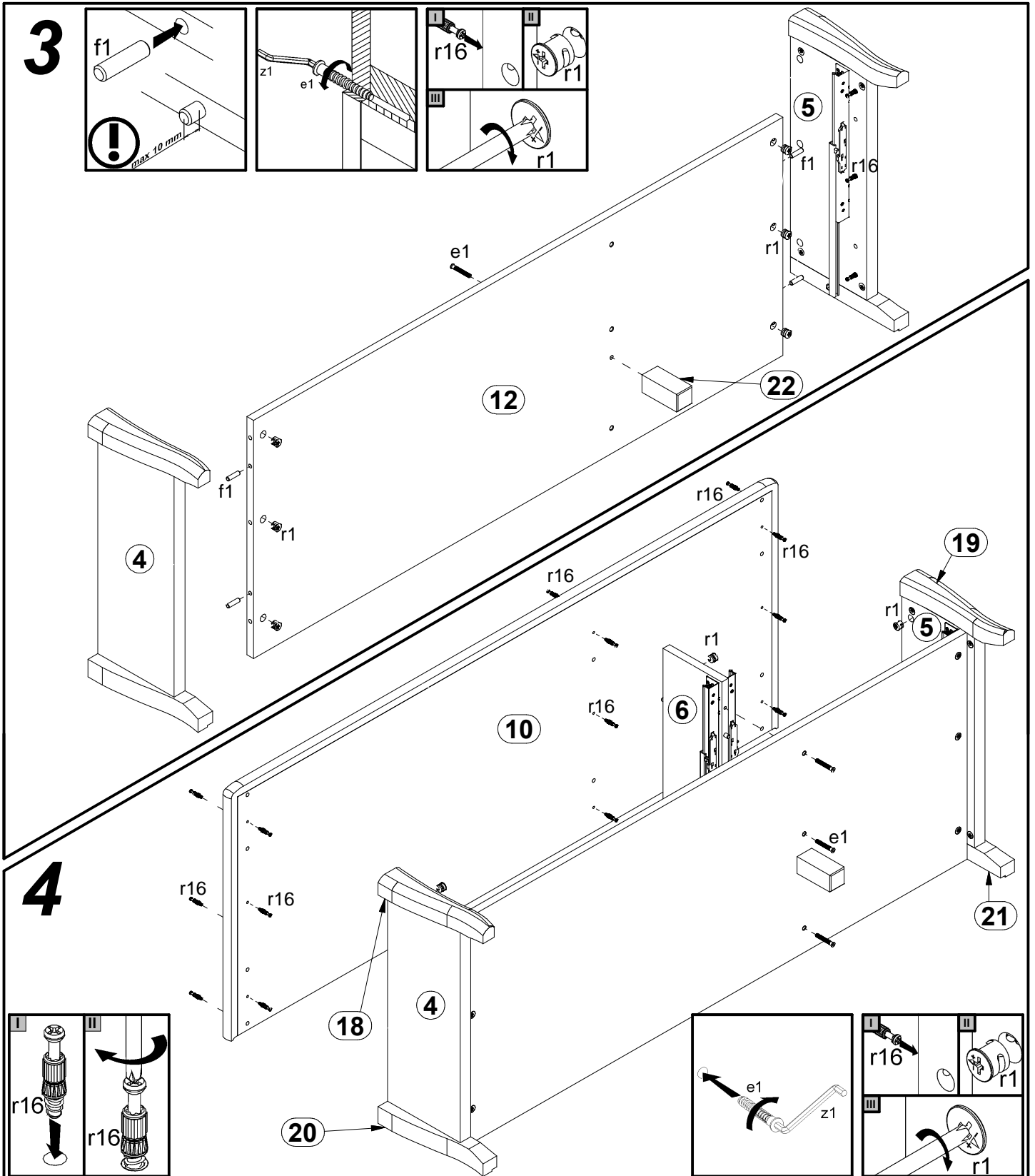
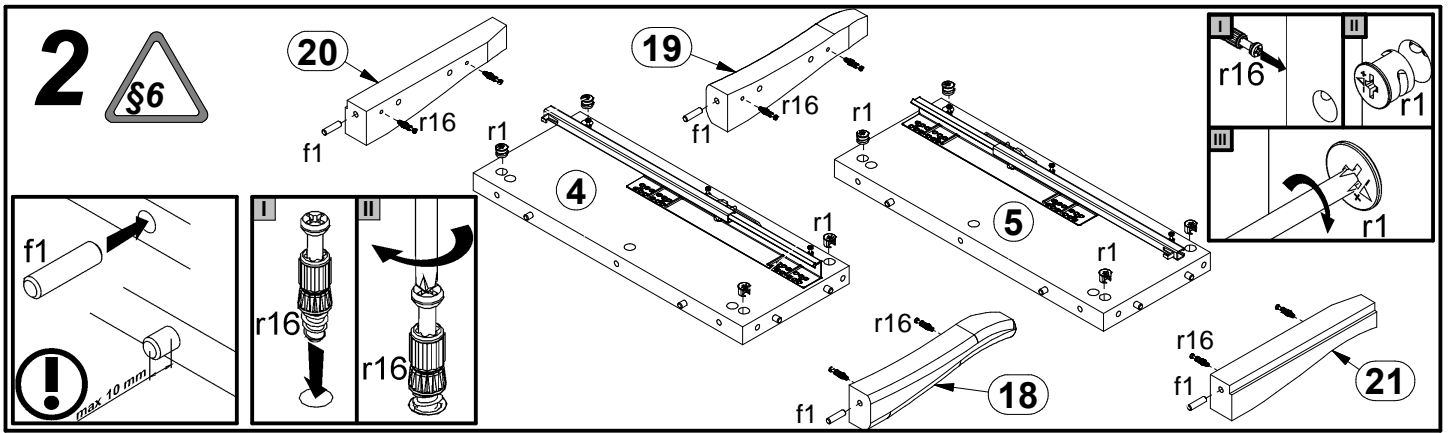


12x a29	12x b13	2x c228 32 mm	12x d1 φ5x17 mm	2x d4 φ6,3x15 mm	4x e1 φ7x50 mm	24x e2 φ6,3x13 mm	16x e3 φ6x13 mm	44x f1 φ8x30 mm
8x f25 φ6,5x40 mm	4x j2 M4x9 mm	145x l1	2x n1	2x p1 φ3,5x13 mm	2x p25 φ3,5x16 mm	12x p38 φ3,5x16 mm	24x p51 φ3,5x15 mm	53x r1 φ1,5x12 mm #16
8x r15 φ12x10,5 mm #12	61x r16	30x s2 ø16	1x t34 500 mm	2x w43/L 500 mm	2x w43/P 500 mm	1x z1	1x n26/I	1x p38 φ3,5x16 mm

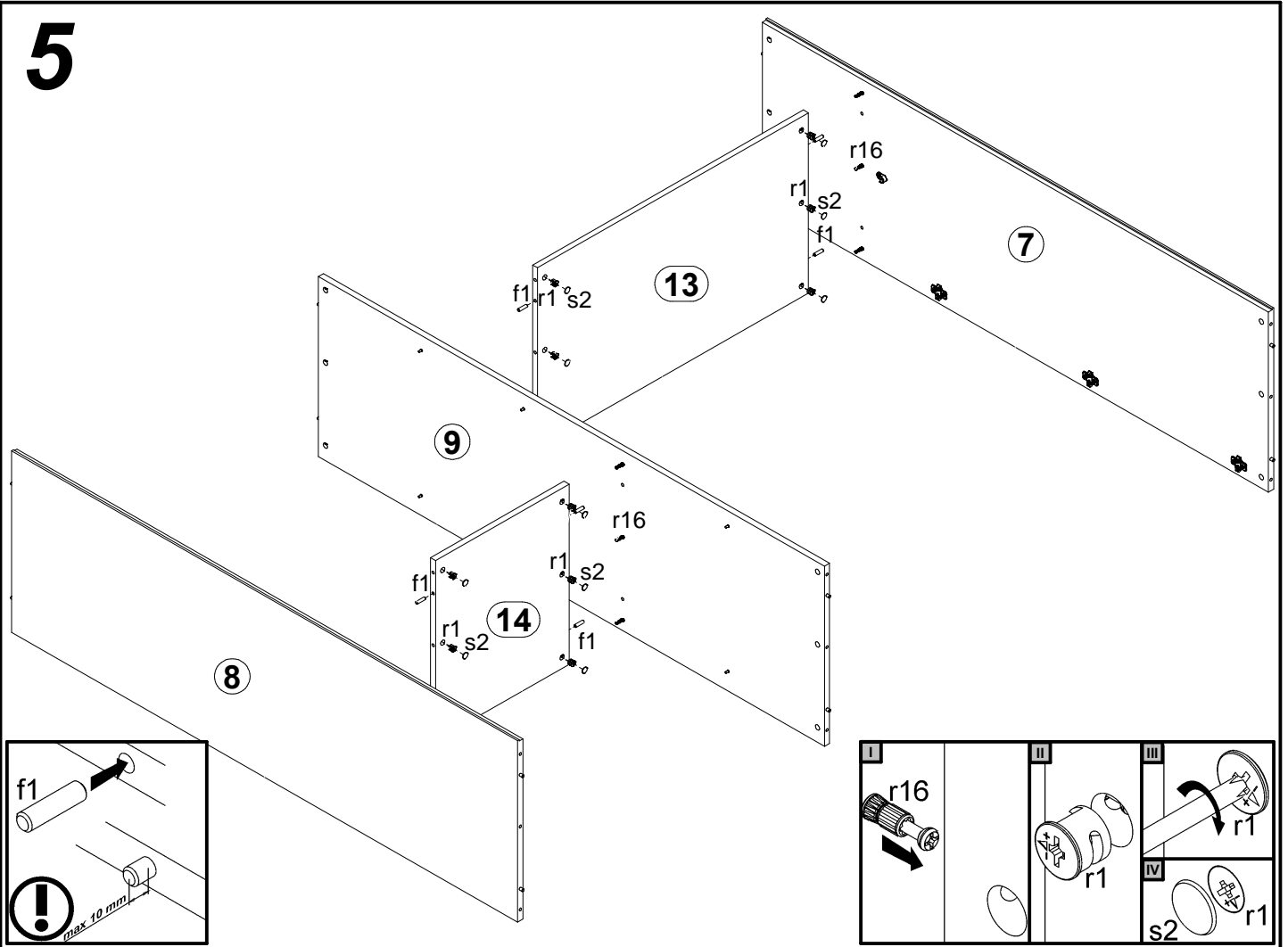


1

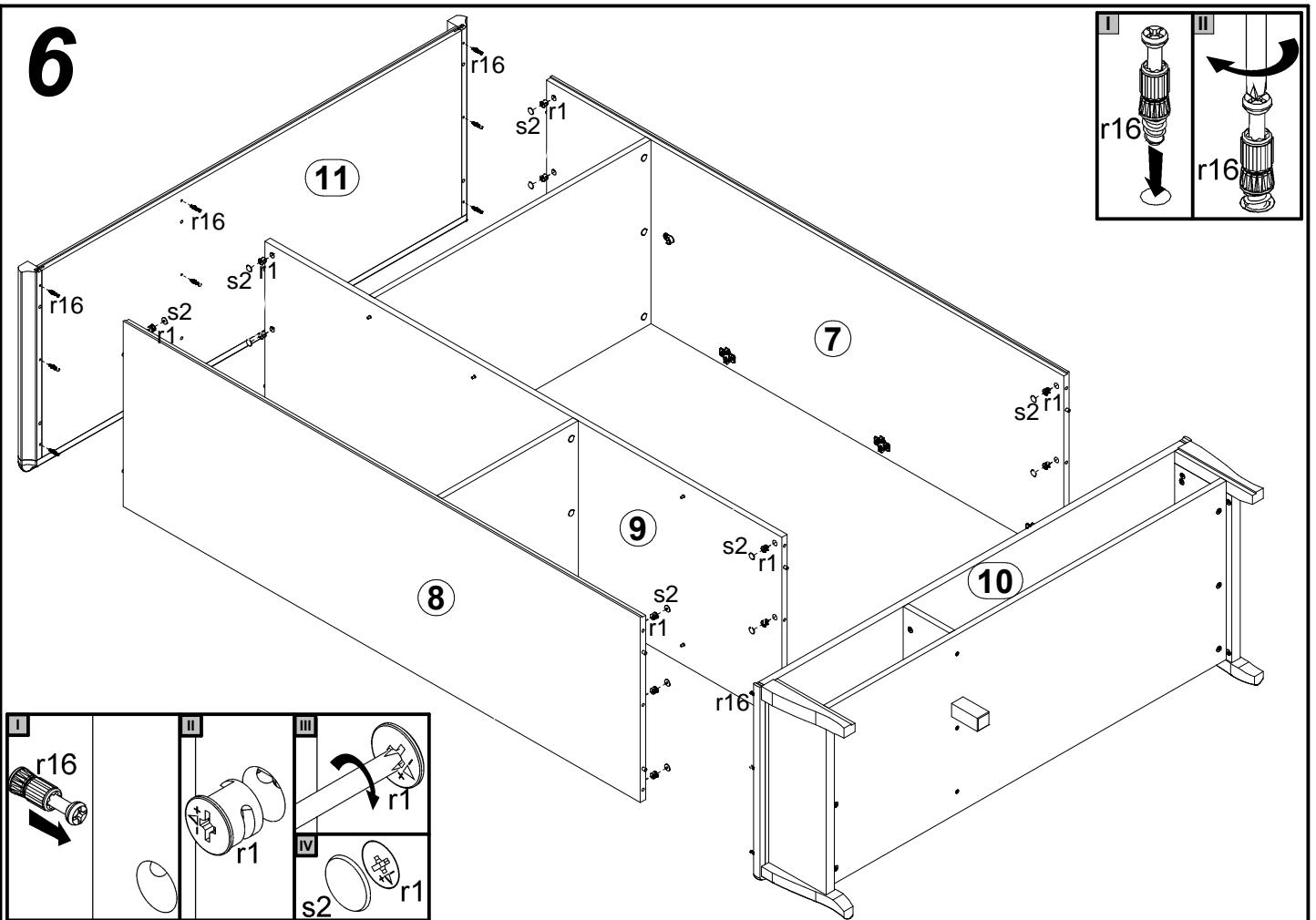




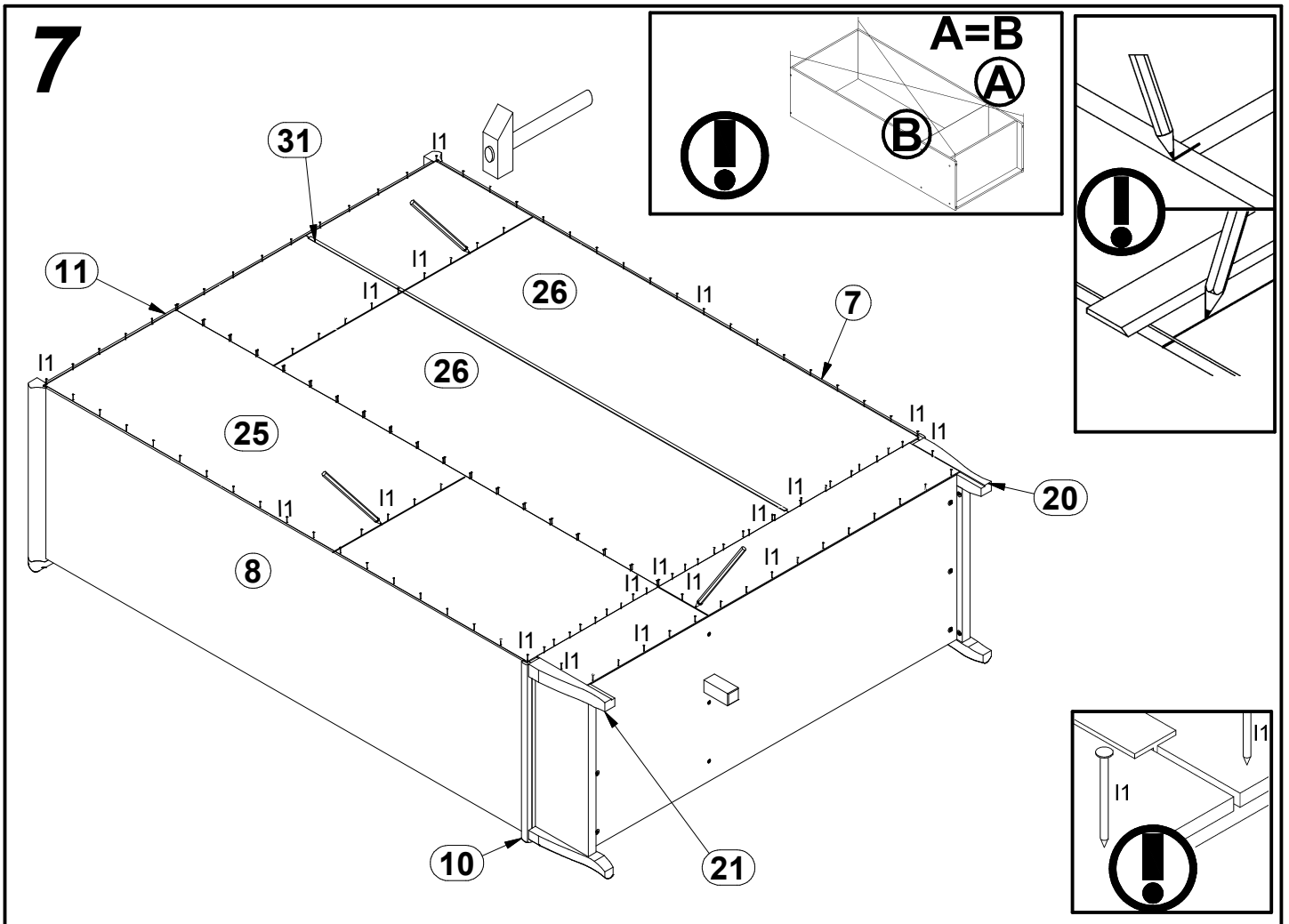
# 5



# 6



# 7



# 8

