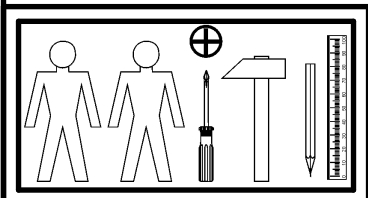
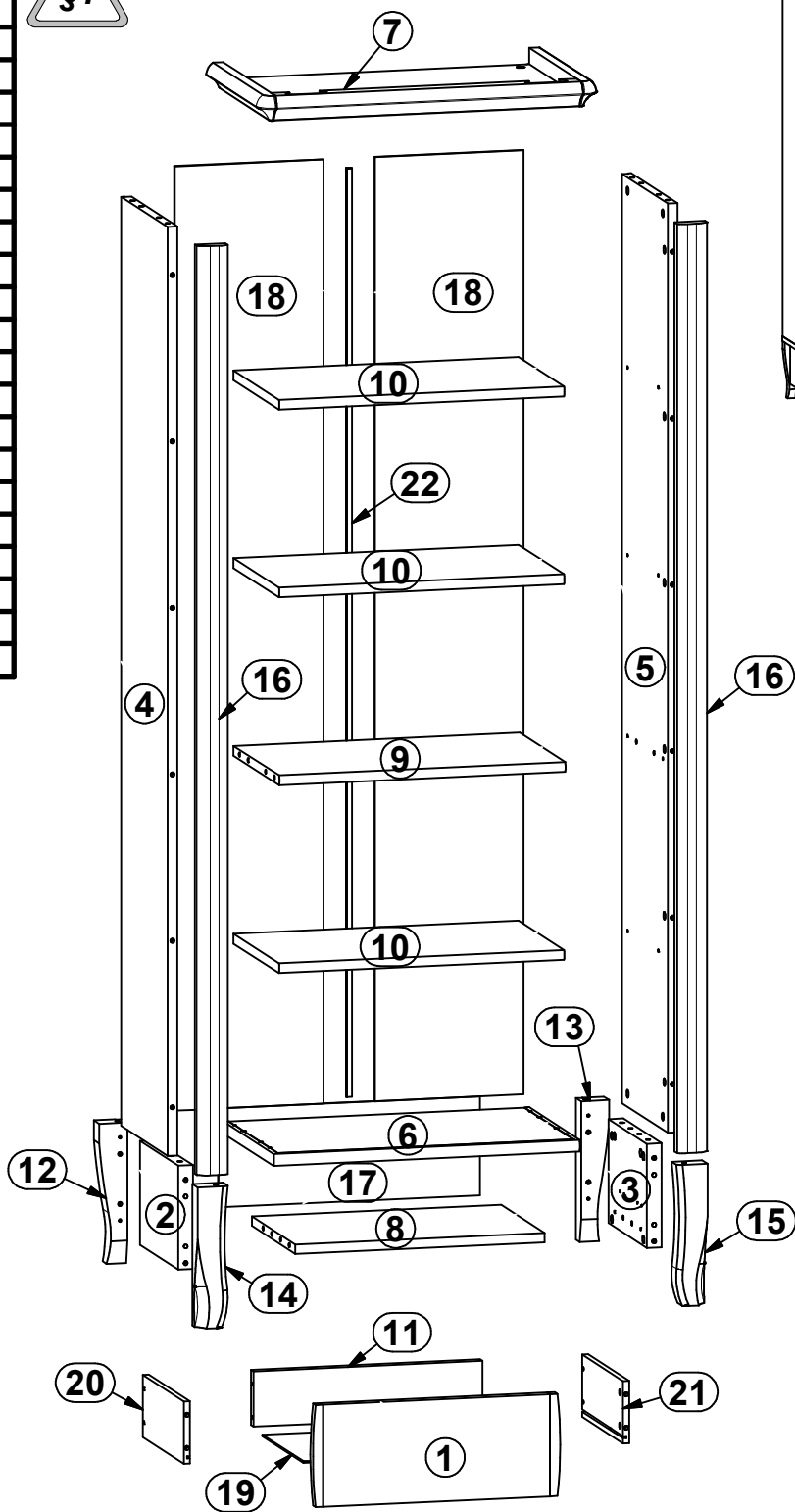
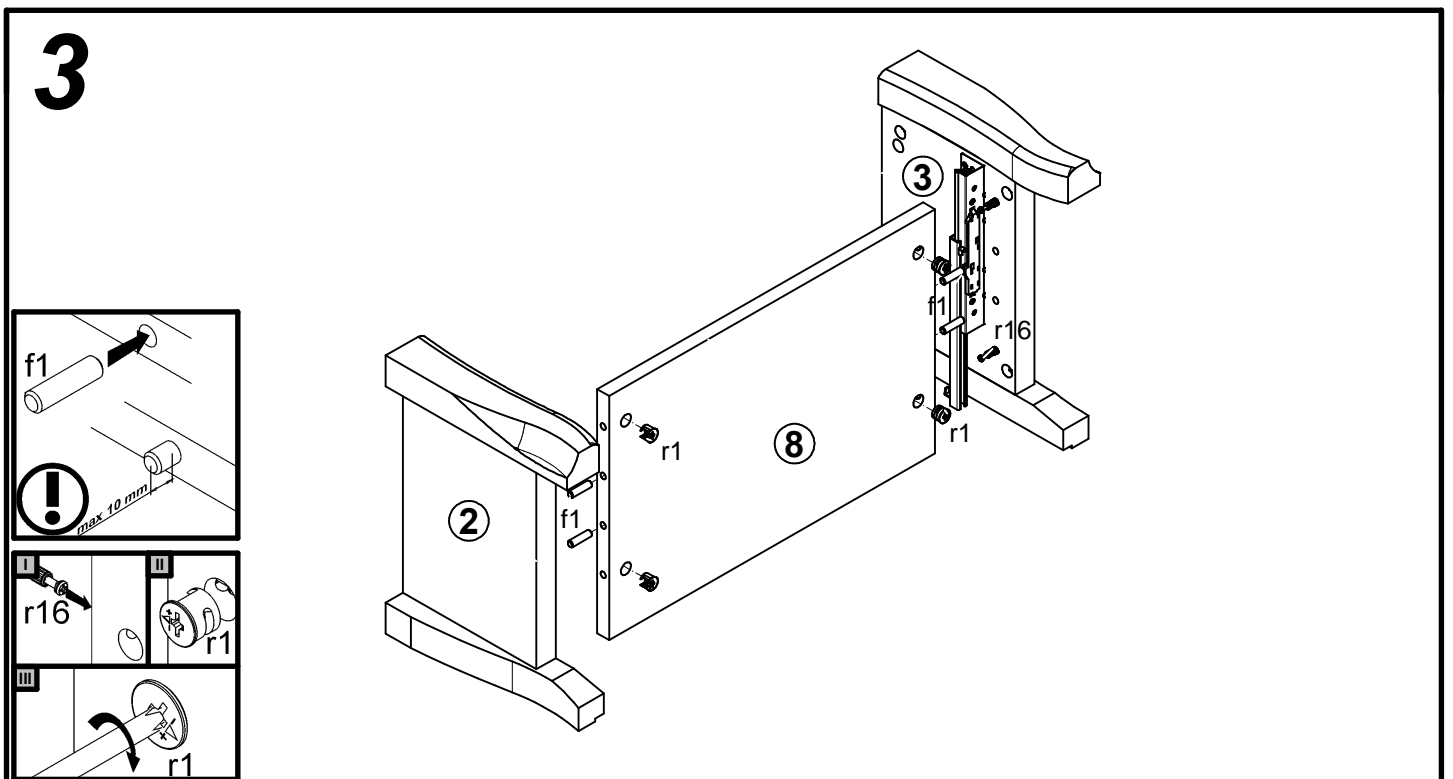
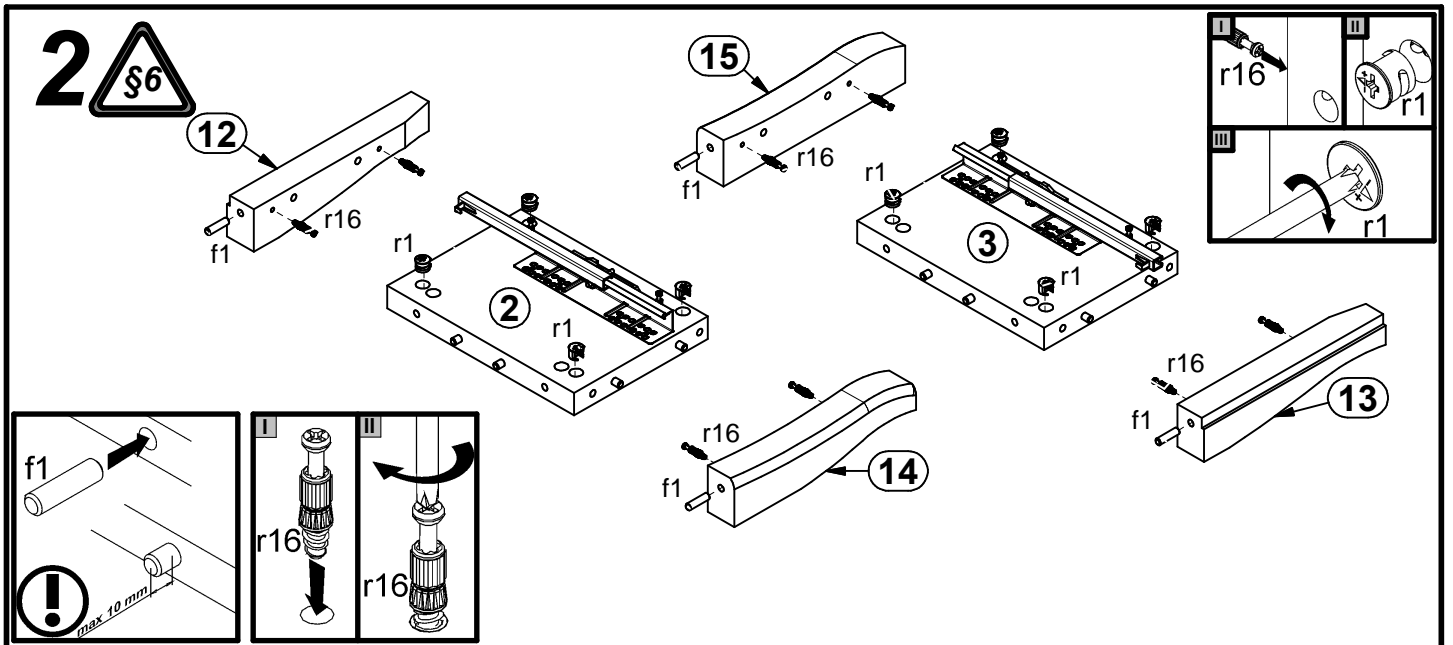
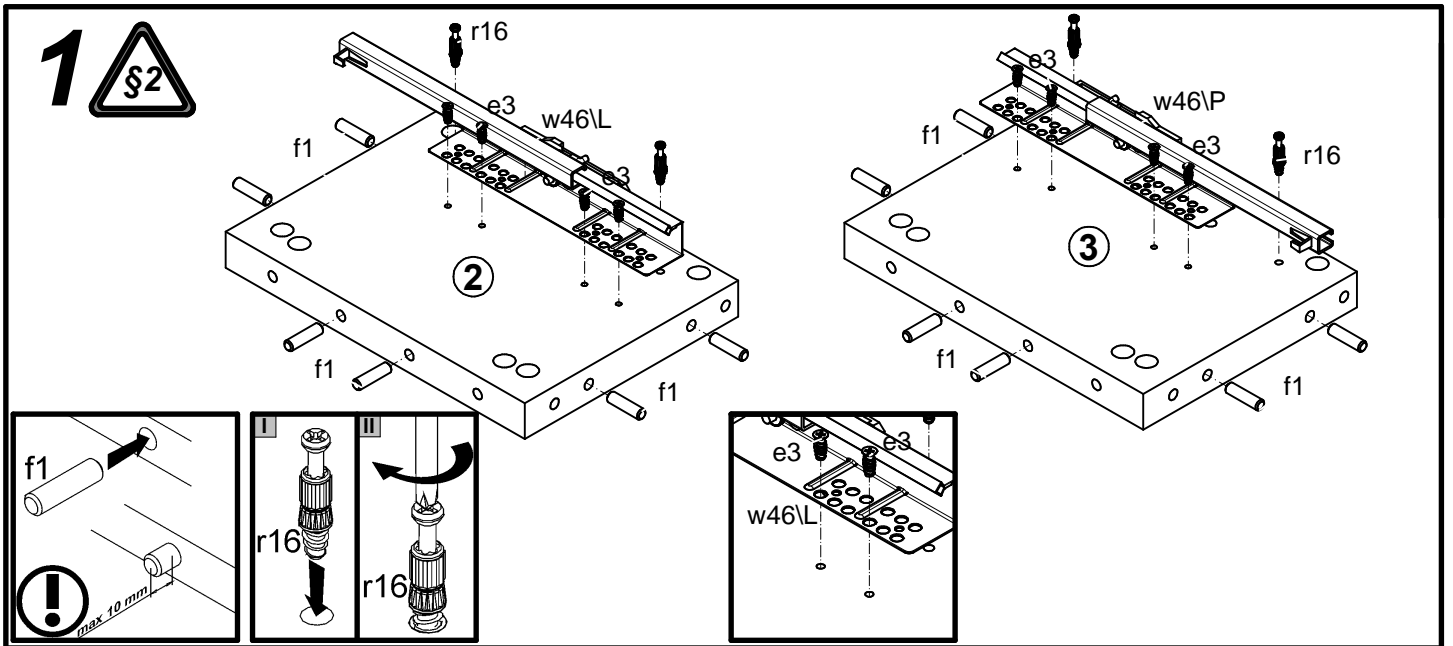


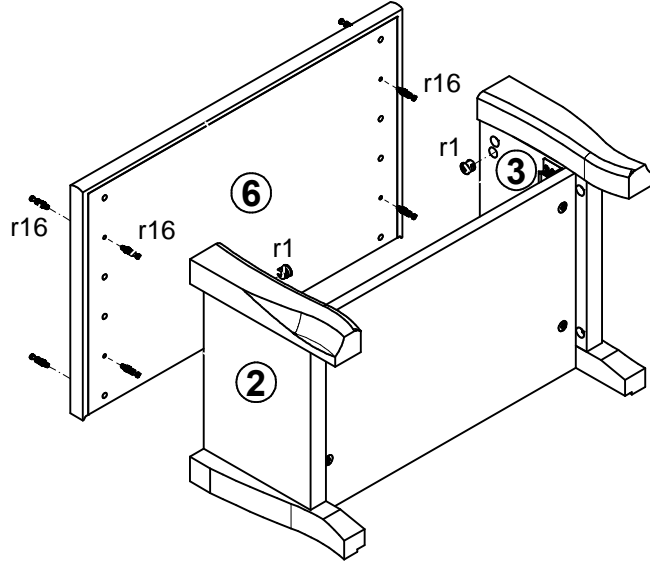
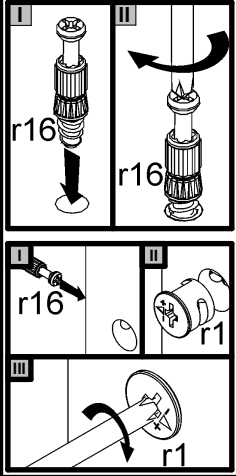
A	B	C	D	
1	S71-023	484	196	6/6
2	S71-120	200	280	3/6
3	S71-121	200	280	3/6
4	S71-125	1786	339	1/6
5	S71-126	1786	339	1/6
6	S71-215	599	372	3/6
7	S71-234	665	394	3/6
8	S71-318	488	316	2/6
9	S71-319	560	335	2/6
10	S71-320	558	334	2/6
11	S71-517	448	106	3/6
12	S71-573	272	55	5/6
13	S71-574	272	55	5/6
14	S71-588	272	60	5/6
15	S71-589	272	60	5/6
16	S71-590	1786	60	4/6
17	S71-934	190	512	3/6
18	S71-935	1815	291	1/6
19	S71-936	459	306	3/6
20	ZS1-3507	300	120	3/6
21	ZS1-3508	300	120	3/6
22	lh-1785	1785	12	1/6



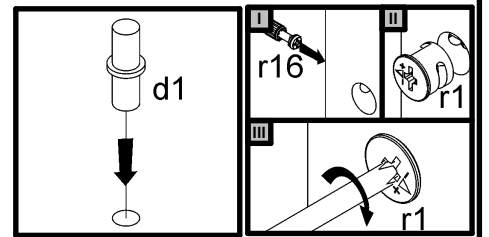
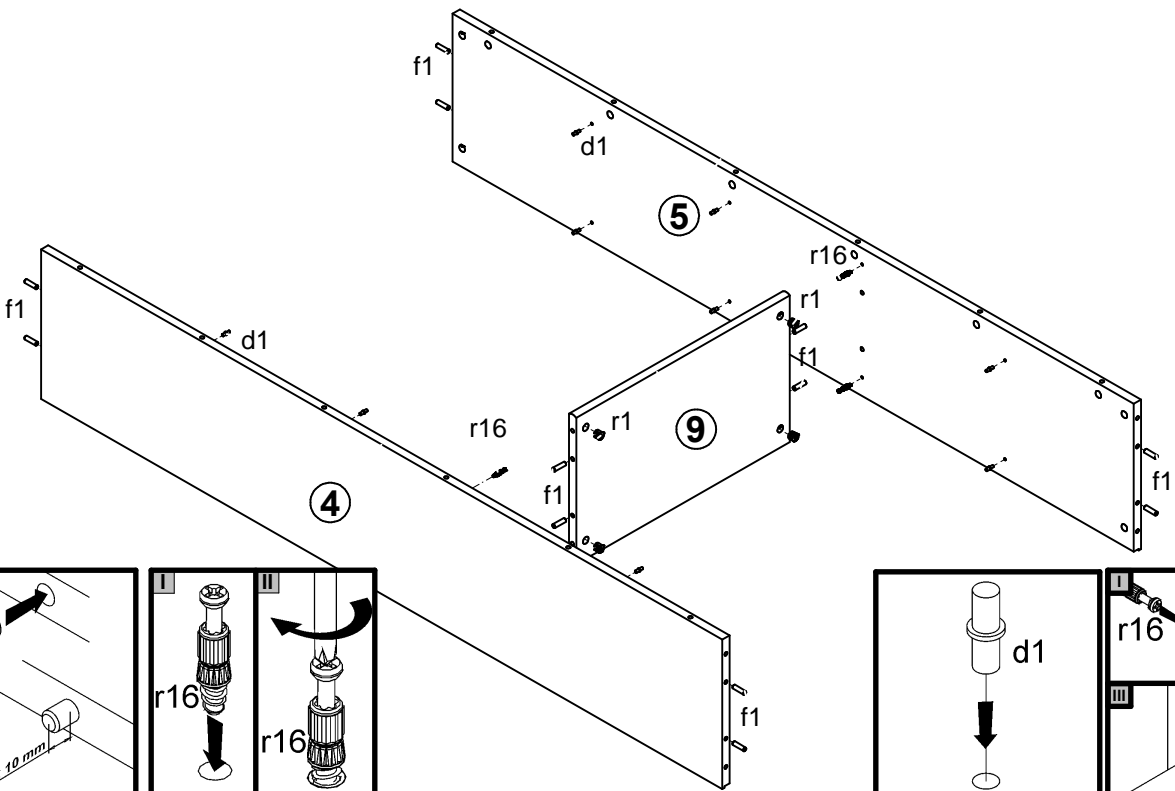
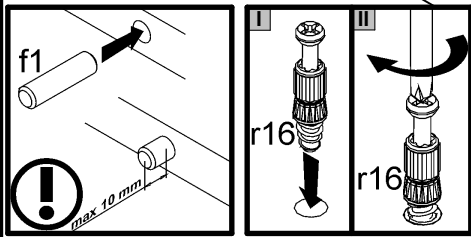
12x φ5x17 mm d1	8x φ6x13 mm e3	32x φ8x30 mm f1	4x φ6.5x40 mm f25	4x M4x12 mm j45\1	2x j45\2	1x M6x70 mm j72	70x l1	5x φ3.5x16 mm p38
40x φ15x12mm #16 r1	4x φ12x10.5mm #12 r15	44x r16	1x φ10x16mm r43	20x ø16 s2	1x 300 mm w46\L	1x 300 mm w46\P	1x 5mm z17	1x n26\1
1x φ3.5x16 mm p38								



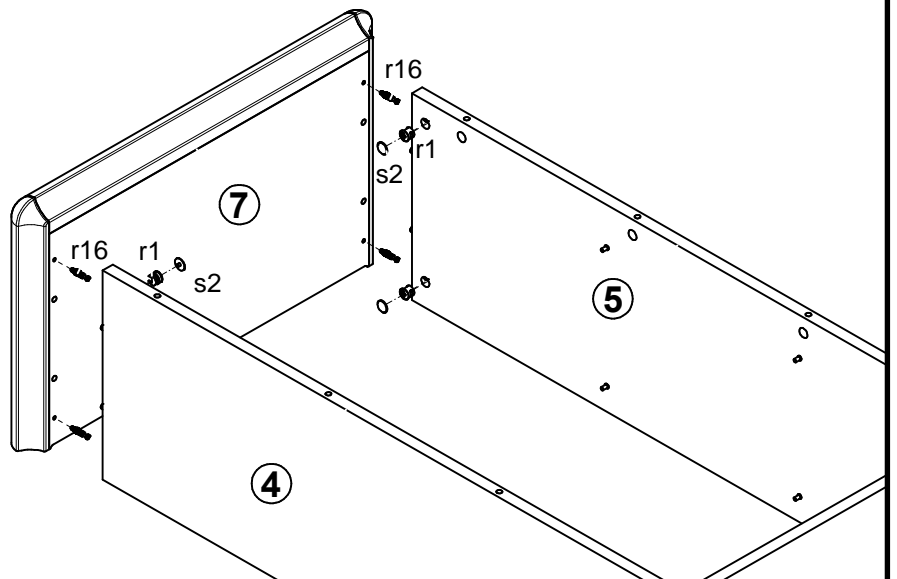
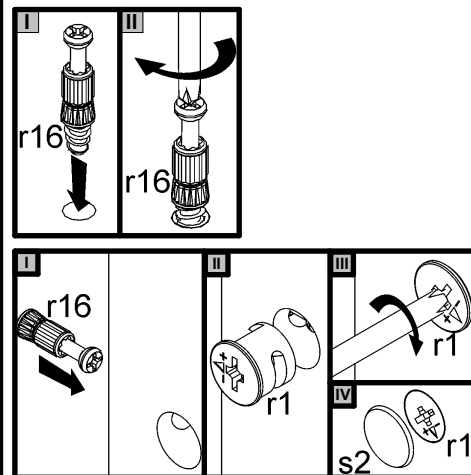
4



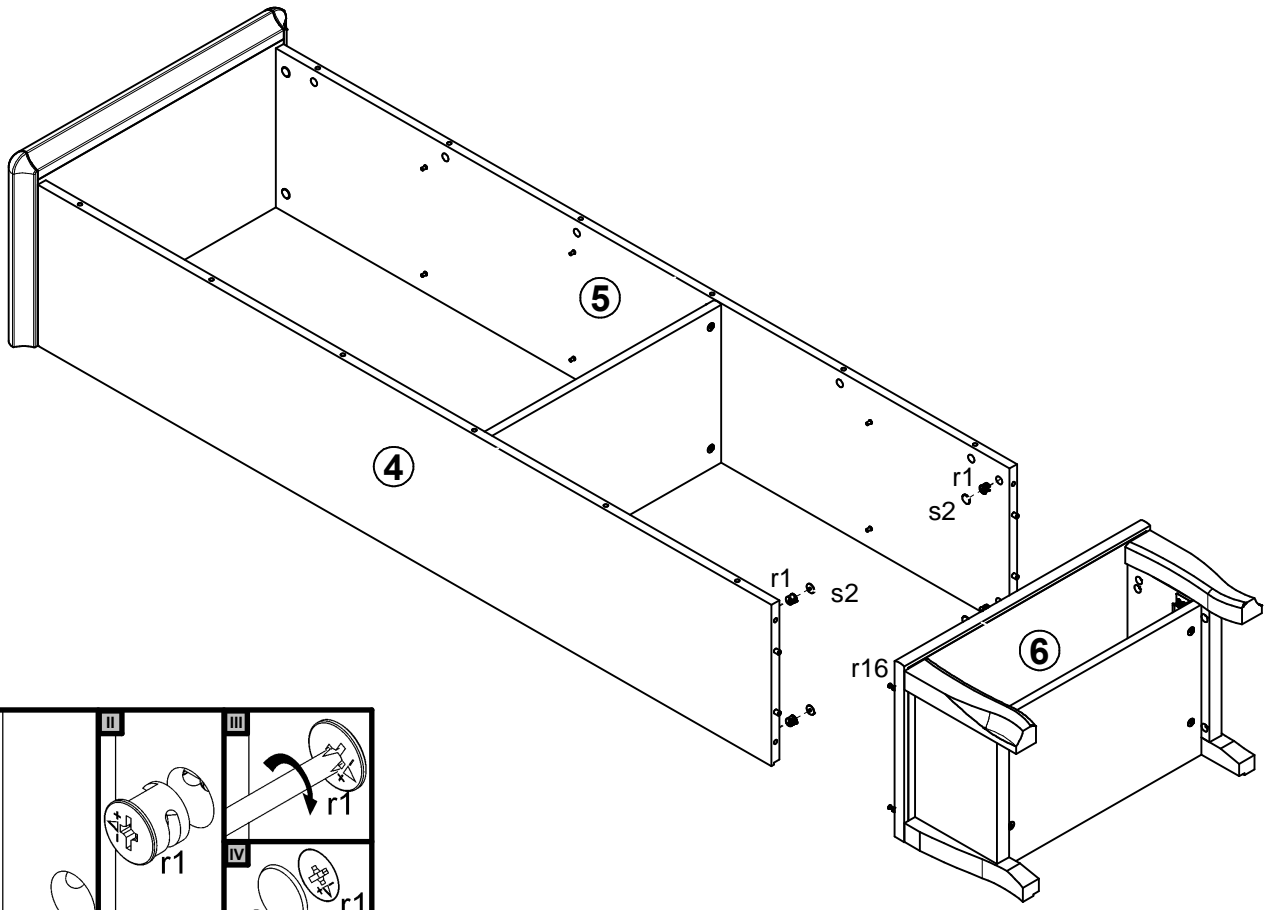
5



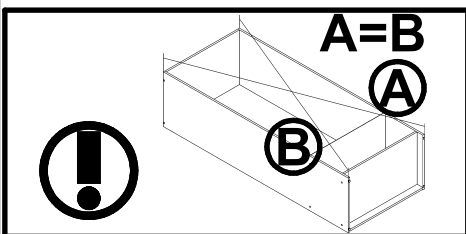
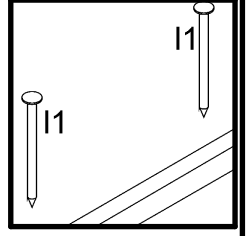
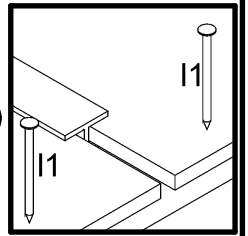
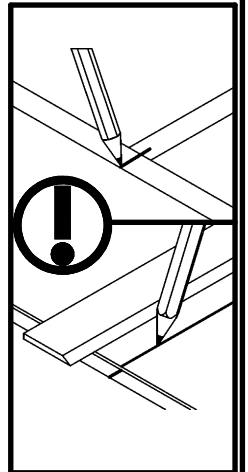
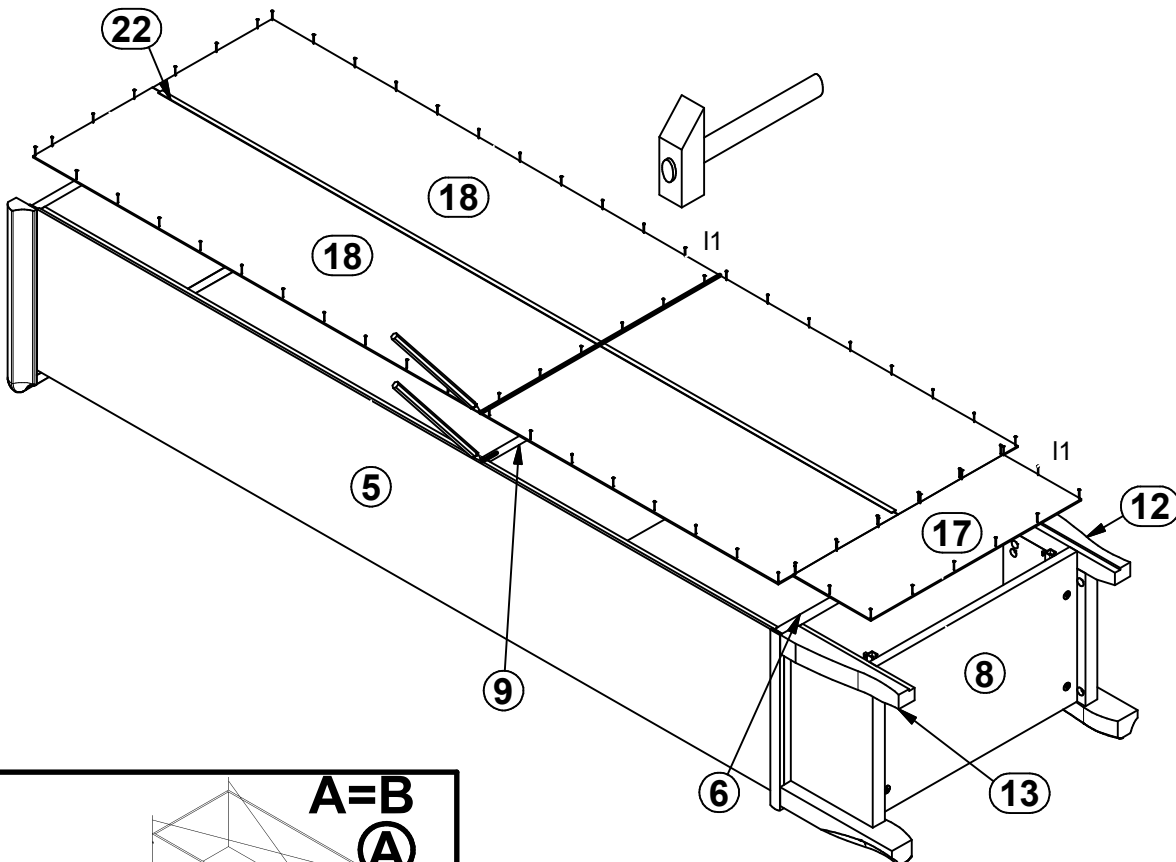
6

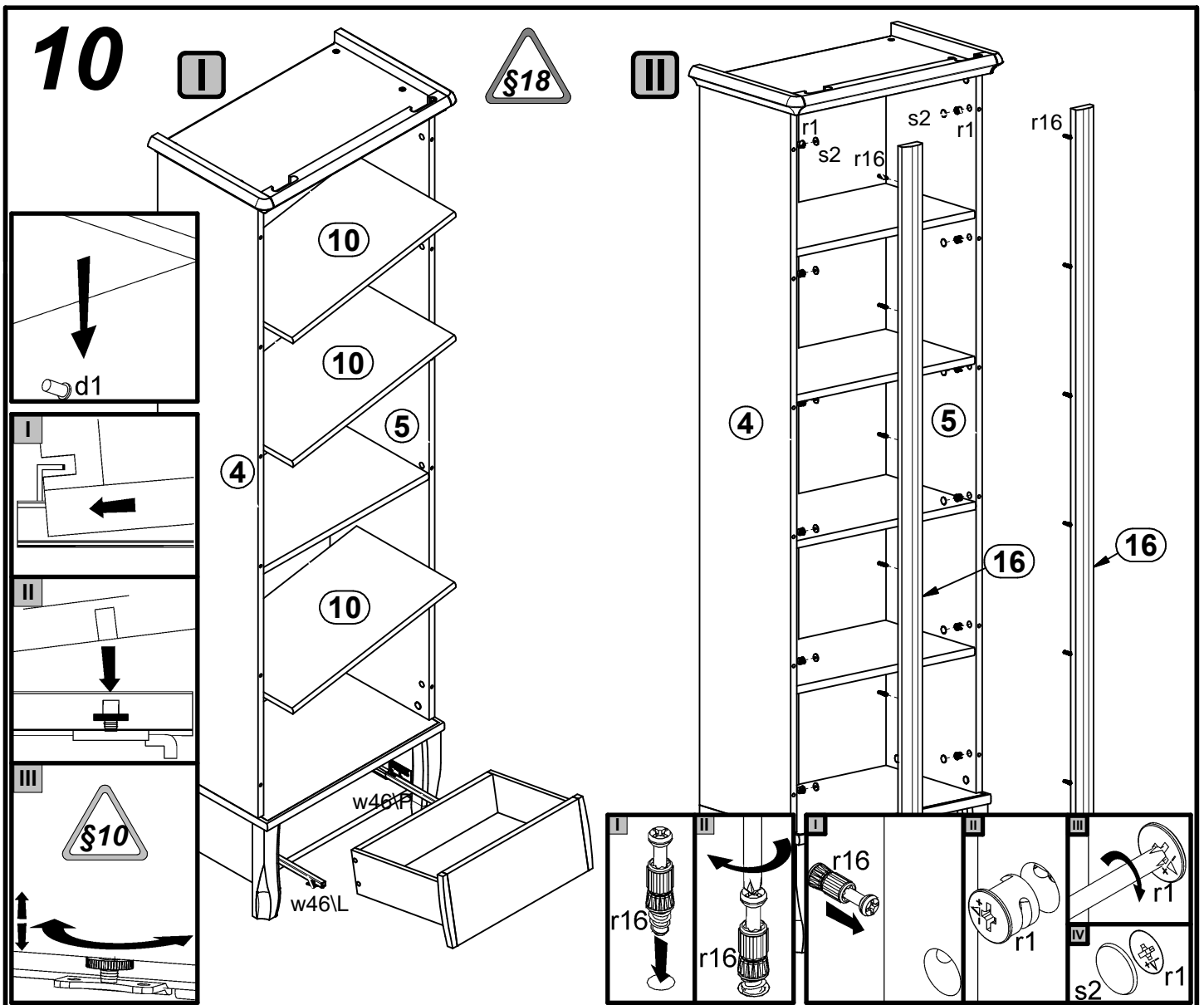
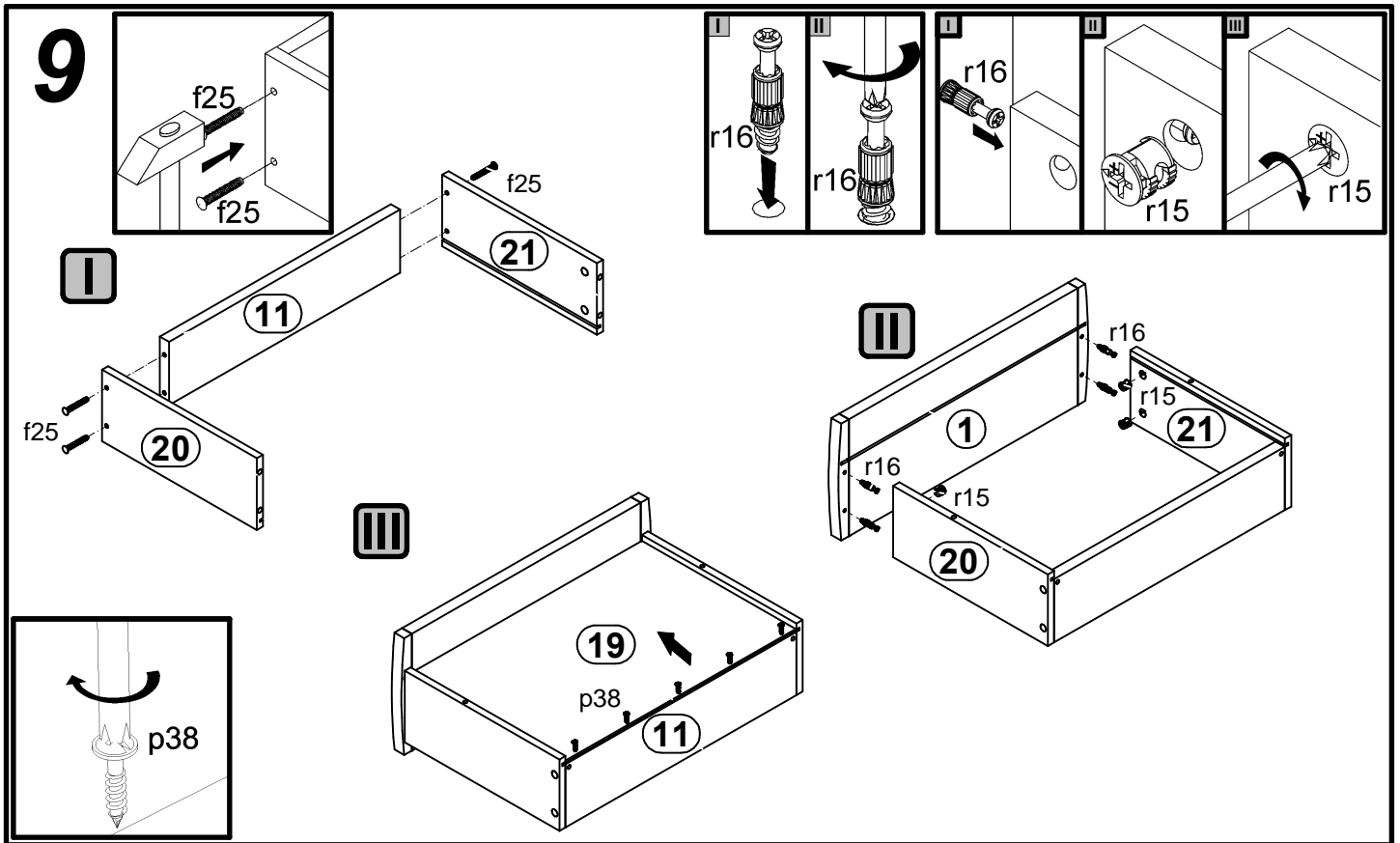


7



8





11

