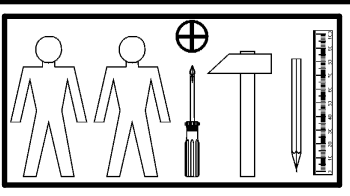
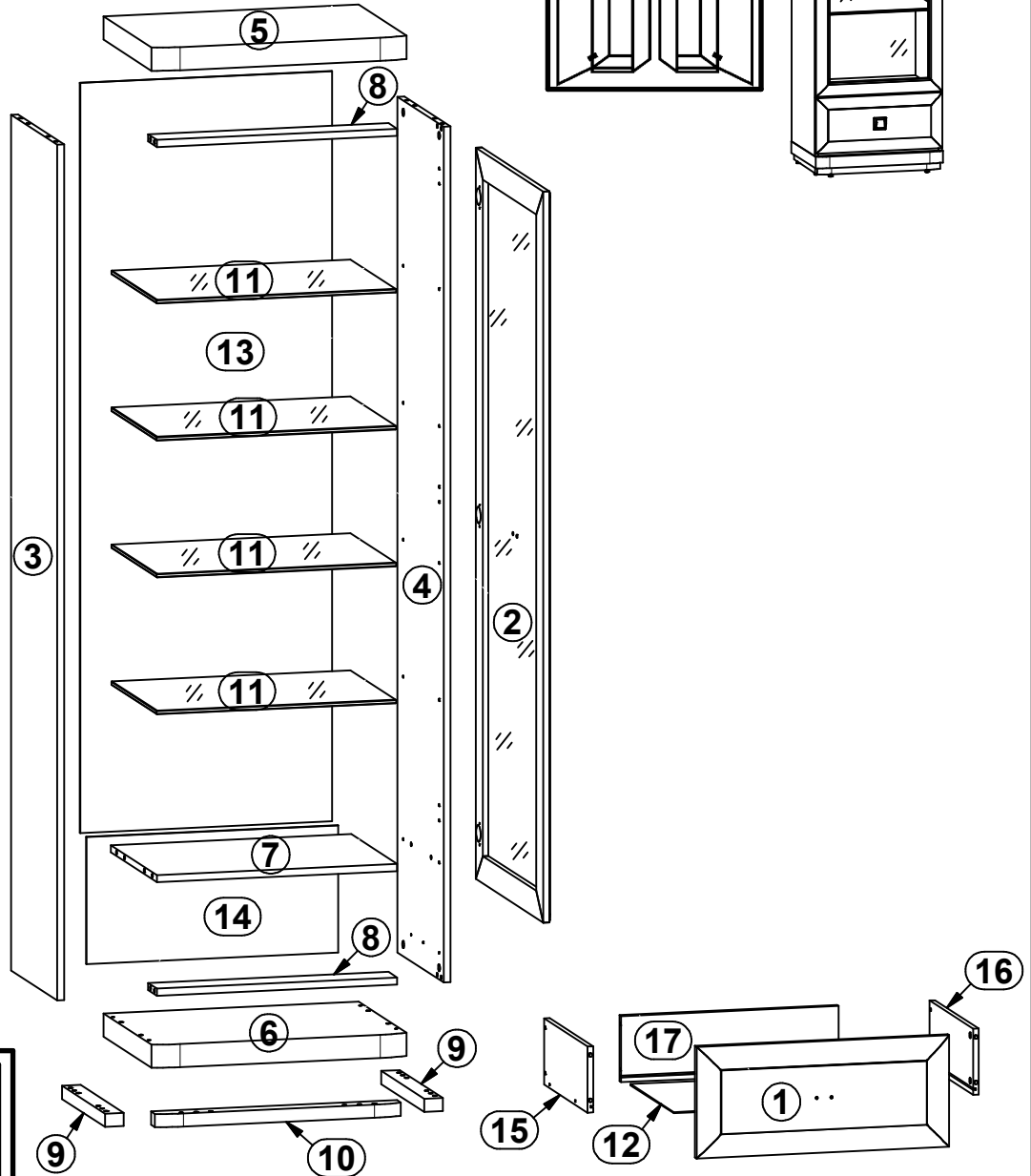
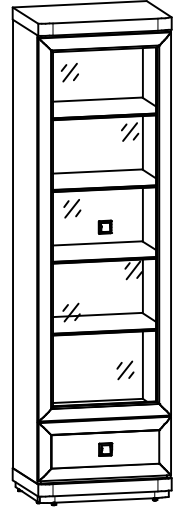
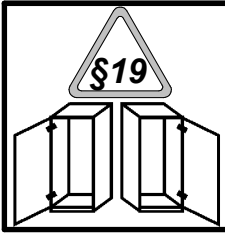


OREGON

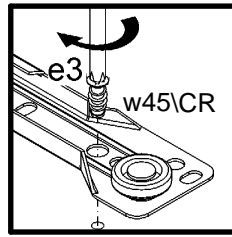
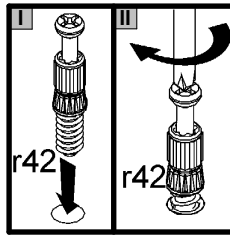
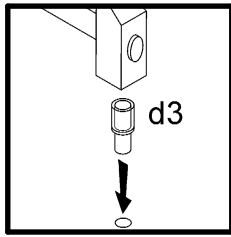
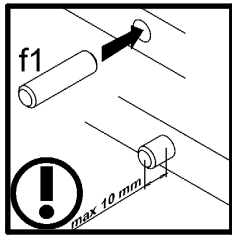
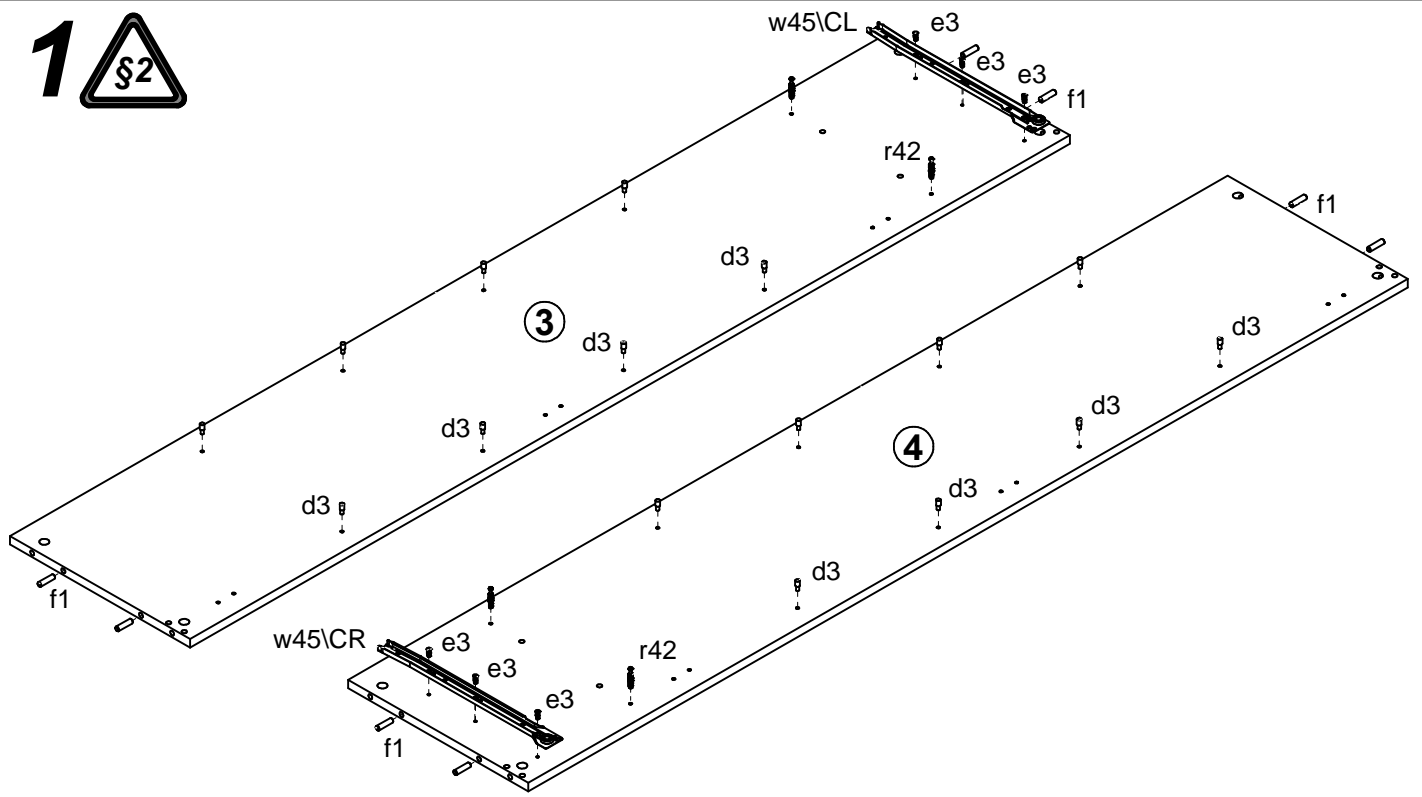
S157-REG1W1S

| A | B | C | D | A | B | C | D | | |
|---|----------|------|-----|-----|----|------------|------|-----|-----|
| 1 | S157-010 | 544 | 236 | 4/5 | 10 | S157-505 | 530 | 40 | 2/5 |
| 2 | S157-013 | 1548 | 544 | 5/5 | 11 | S157-518 | 516 | 366 | 3/5 |
| 3 | S157-121 | 1812 | 371 | 1/5 | 12 | S157-911 | 480 | 348 | 1/5 |
| 4 | S157-122 | 1812 | 371 | 1/5 | 13 | S157-913 A | 1588 | 543 | 5/5 |
| 5 | S157-208 | 550 | 396 | 2/5 | 14 | S157-920 | 269 | 543 | 5/5 |
| 6 | S157-209 | 550 | 396 | 2/5 | 15 | ZS2-531 | 350 | 140 | 1/5 |
| 7 | S157-309 | 518 | 371 | 1/5 | 16 | ZS2-532 | 350 | 140 | 1/5 |
| 8 | S157-404 | 518 | 70 | 2/5 | 17 | ZS2-5587 | 469 | 140 | 1/5 |
| 9 | S157-502 | 346 | 40 | 2/5 | | | | | |

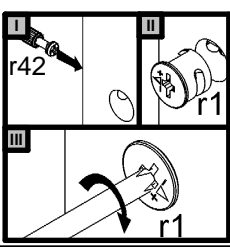
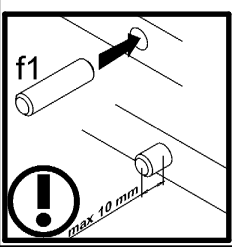
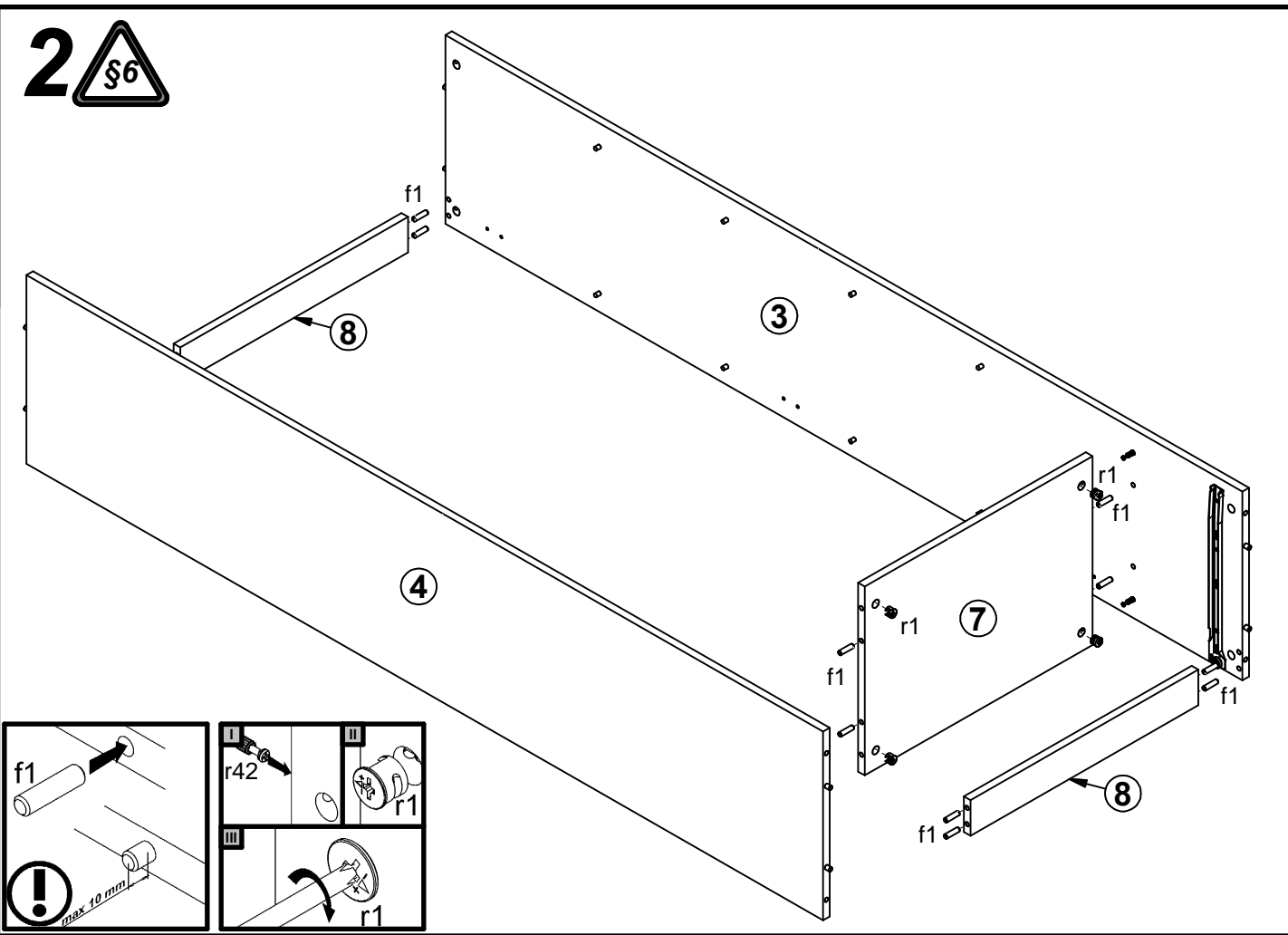


| | | | | | | | | |
|---------------------------|-----------------------------|-----------------------|---------------------------|------------------------|------------------------|----------------------------|----------------------------|-------------------------|
| 3x a44 | 3x b19 | 2x c333 | 16x d3 φ5x17 mm | 6x e1 φ7x50 mm | 4x e19 φ5x9 mm | 6x e2 φ6,3x13 mm | 6x e3 φ6x13 mm | 26x f1 φ8x30 mm |
| 4x f25 φ6,5x40 mm | 2x j2 M4x9 mm | 2x j59 M4x18 mm | 4x k39/2 M6φ9x14 mm | 4x k39/3 M6φ22mm | 60x l1 | 2x o26 φ5/φ10x1,4 mm | 2x o27 φ6,5φ10x5,2mm | 6x p51 φ3,5x15 mm |
| 12x r1 φ15x12mm #16 | 4x r15 φ12x10,5mm #12 | 16x r42 | 1x w45/CL 350 mm | 1x w45/CR 350 mm | 1x w45/DL 350 mm | 1x w45/DR 350 mm | 4x s2 φ16 | 1x z1 |
| 1x n26/1 | 1x p38 φ3,5x16 mm | | | | | | | |

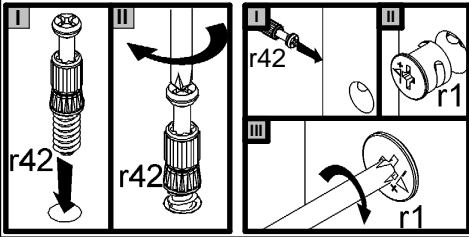
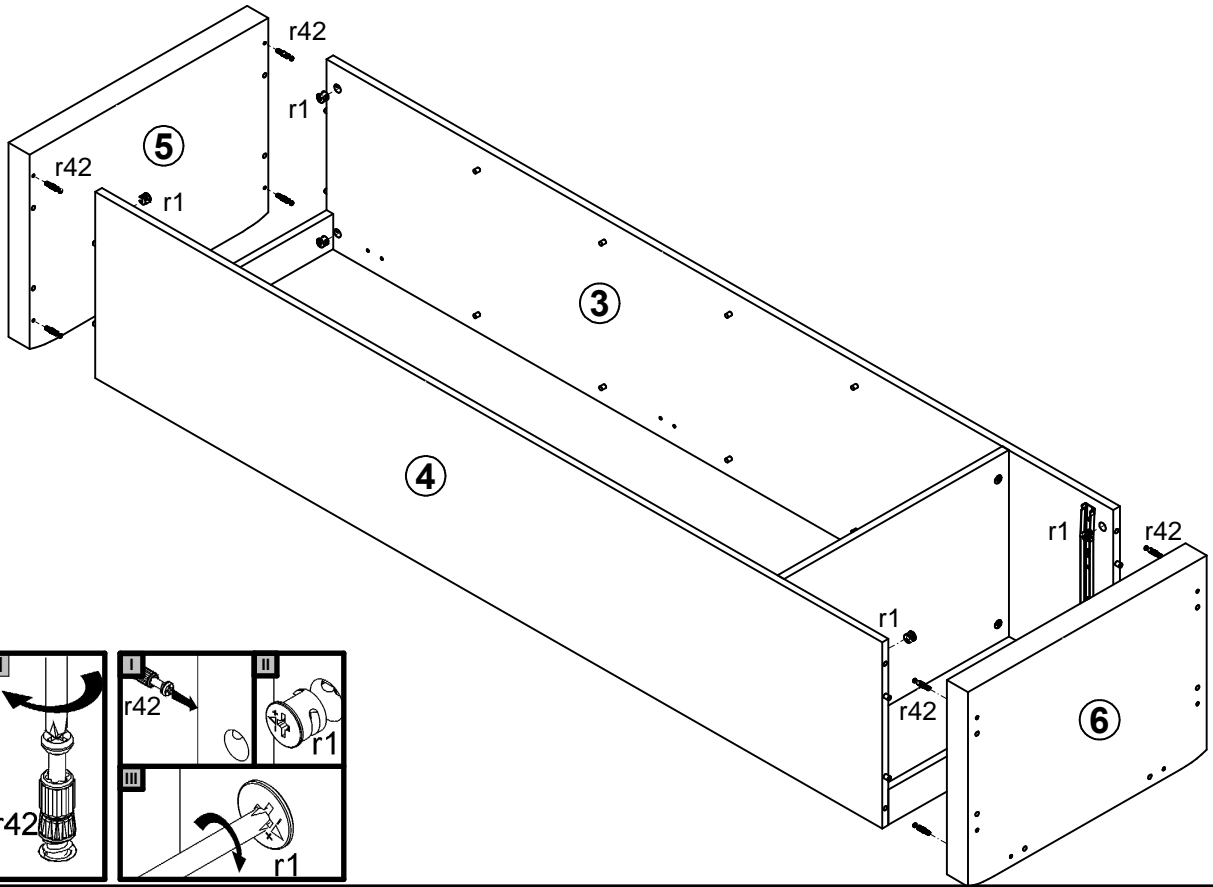
1



2



3



4

