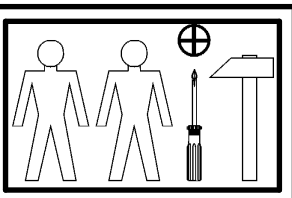
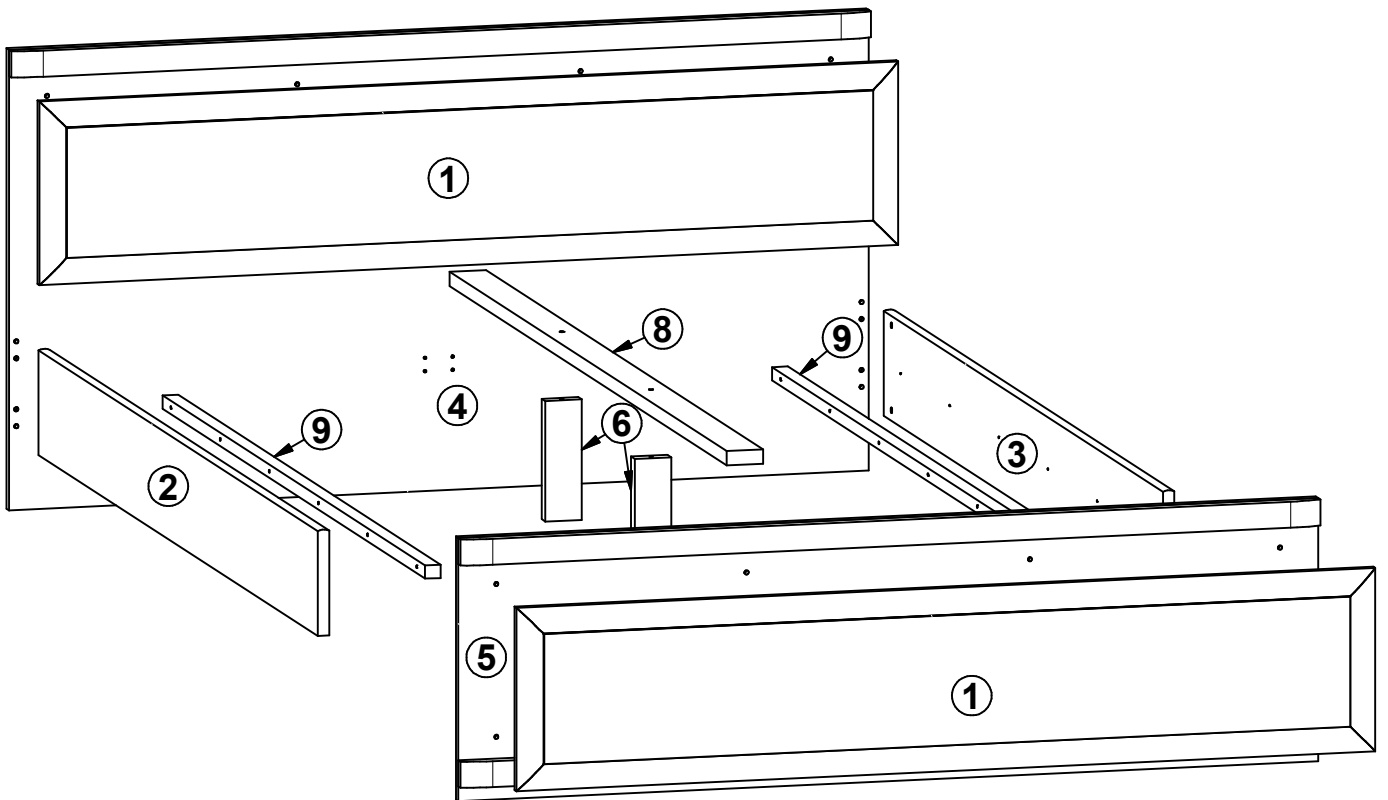
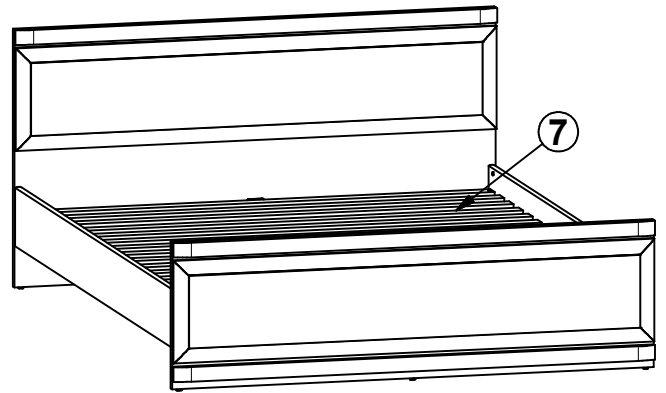


OREGON

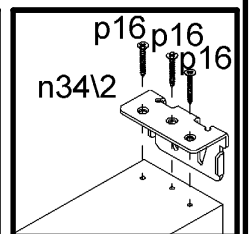
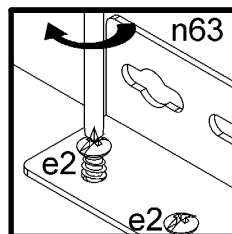
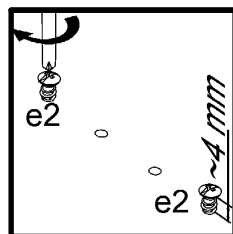
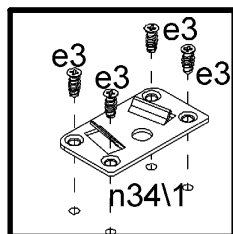
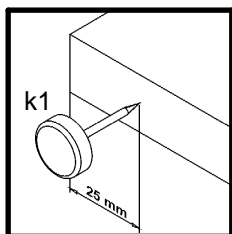
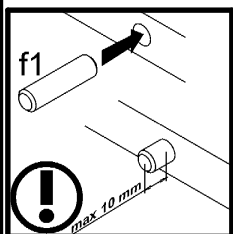
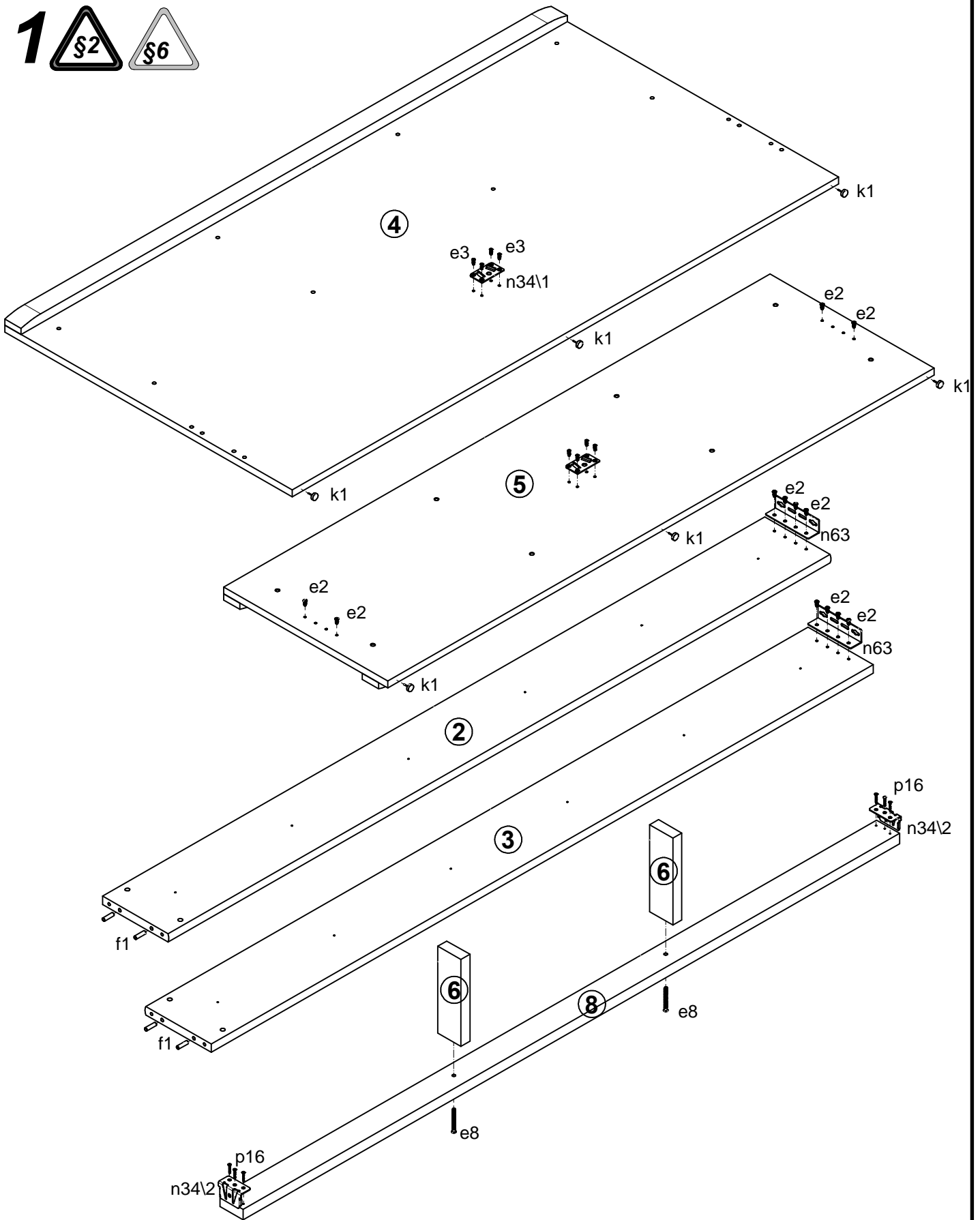
S157-LOZ/160

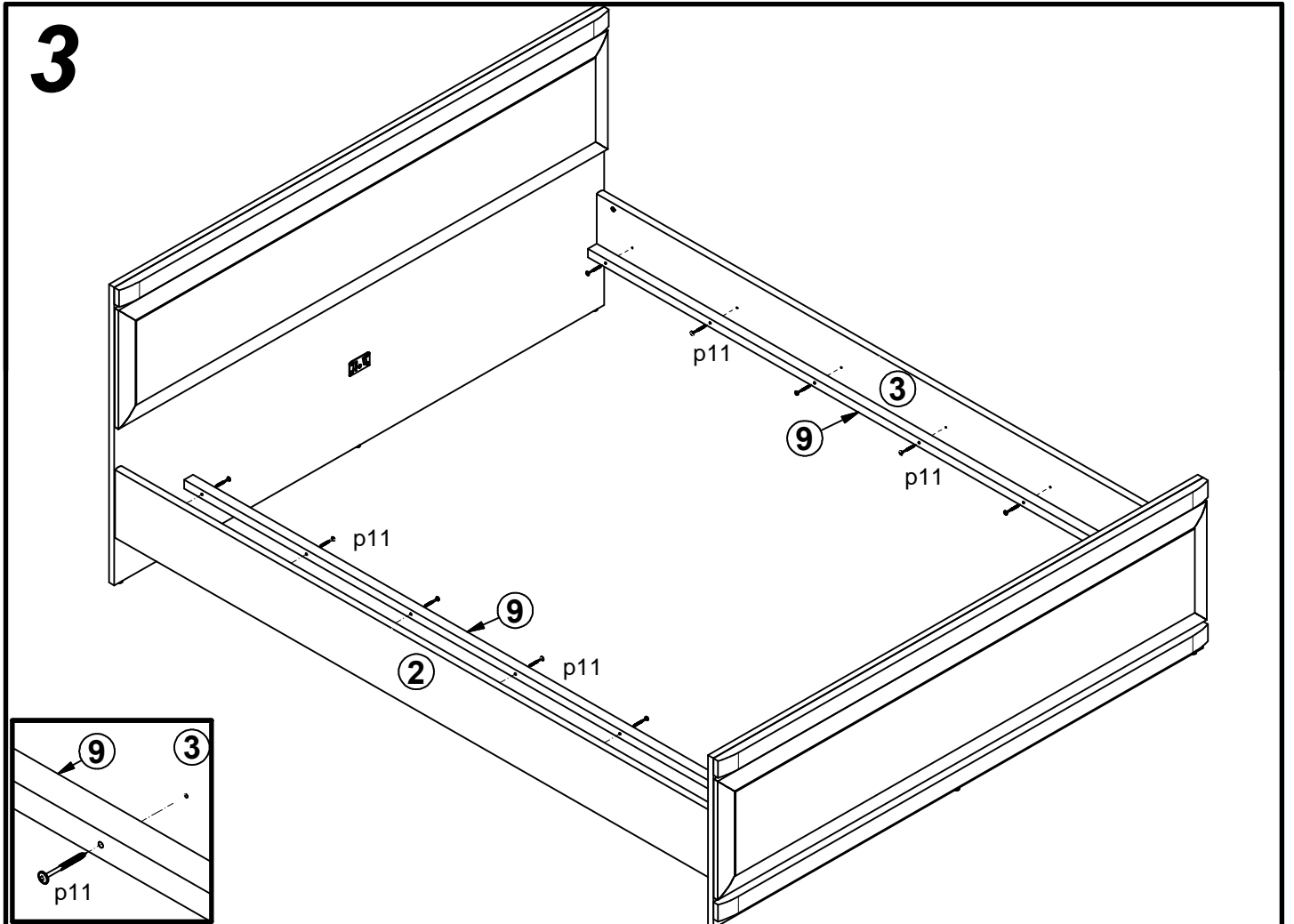
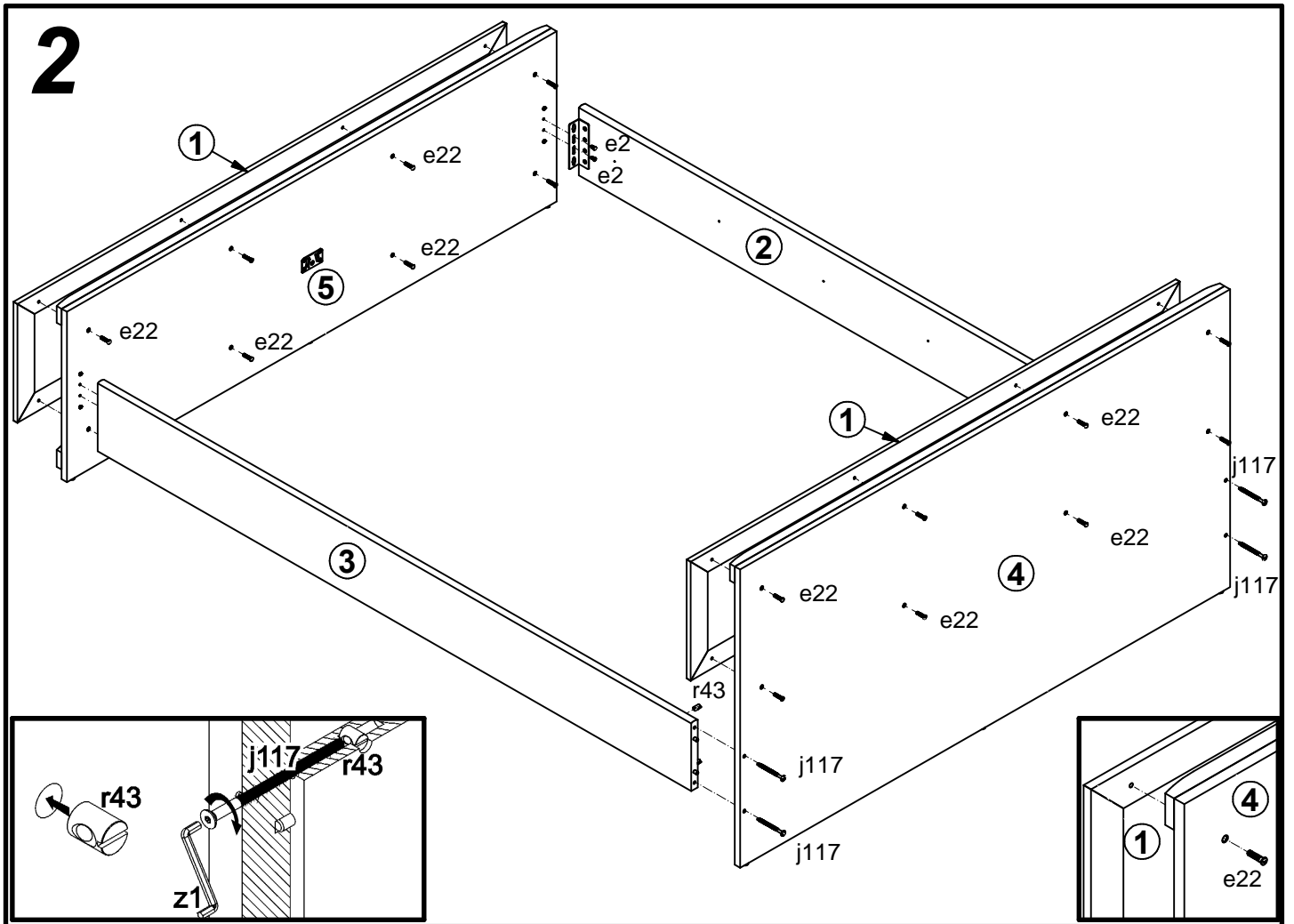
A	B	C	D
1	S157-006	1648	346
2	S157-109	2000	200
3	S157-110	2000	200
4	S157-408	1650	868
5	S157-409	1650	496
6	ZZ1-421	227	70
7	ZZ1-501	1872	1578
8	ZZ1-719	1983	70
9	ZZ1-720	1880	25



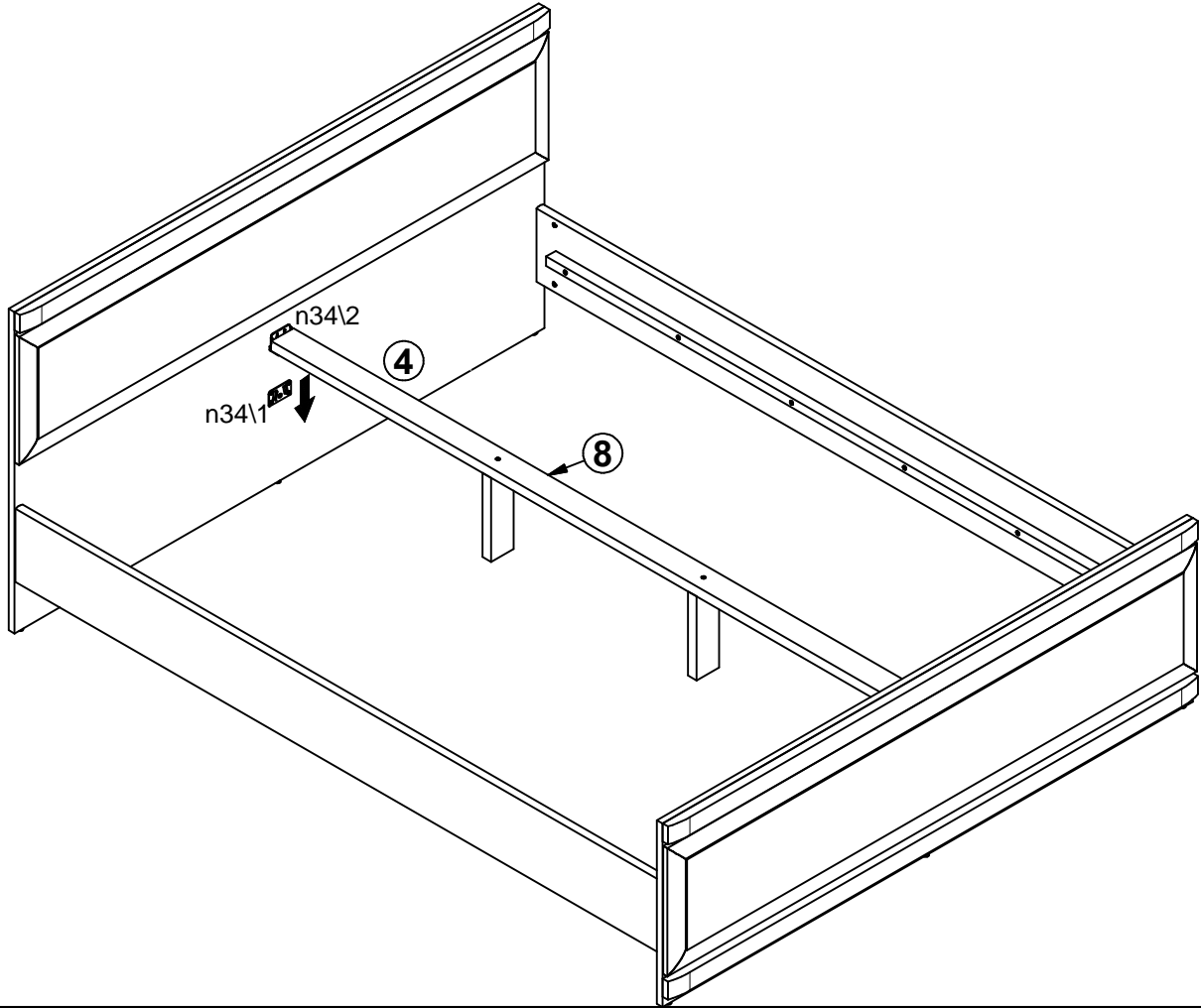
16x φ6,3x13 mm e2	16x φ7x28 mm e22	8x φ6x13 mm e3	2x φ7x60 mm e8	4x φ8x30 mm f1	4x M6x84 mm j117	6x k1	2x n34\1	2x n34\2
2x 130x34x34 2mm n63	12x φ4x45 mm p11	6x φ3,5x25 mm p16	6x φ4x35 mm p6	4x φ10x16mm r43	4x s1	1x z1		

1  





4



5

