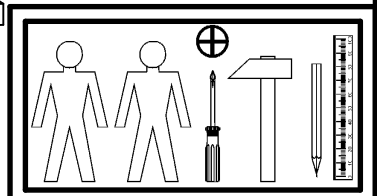
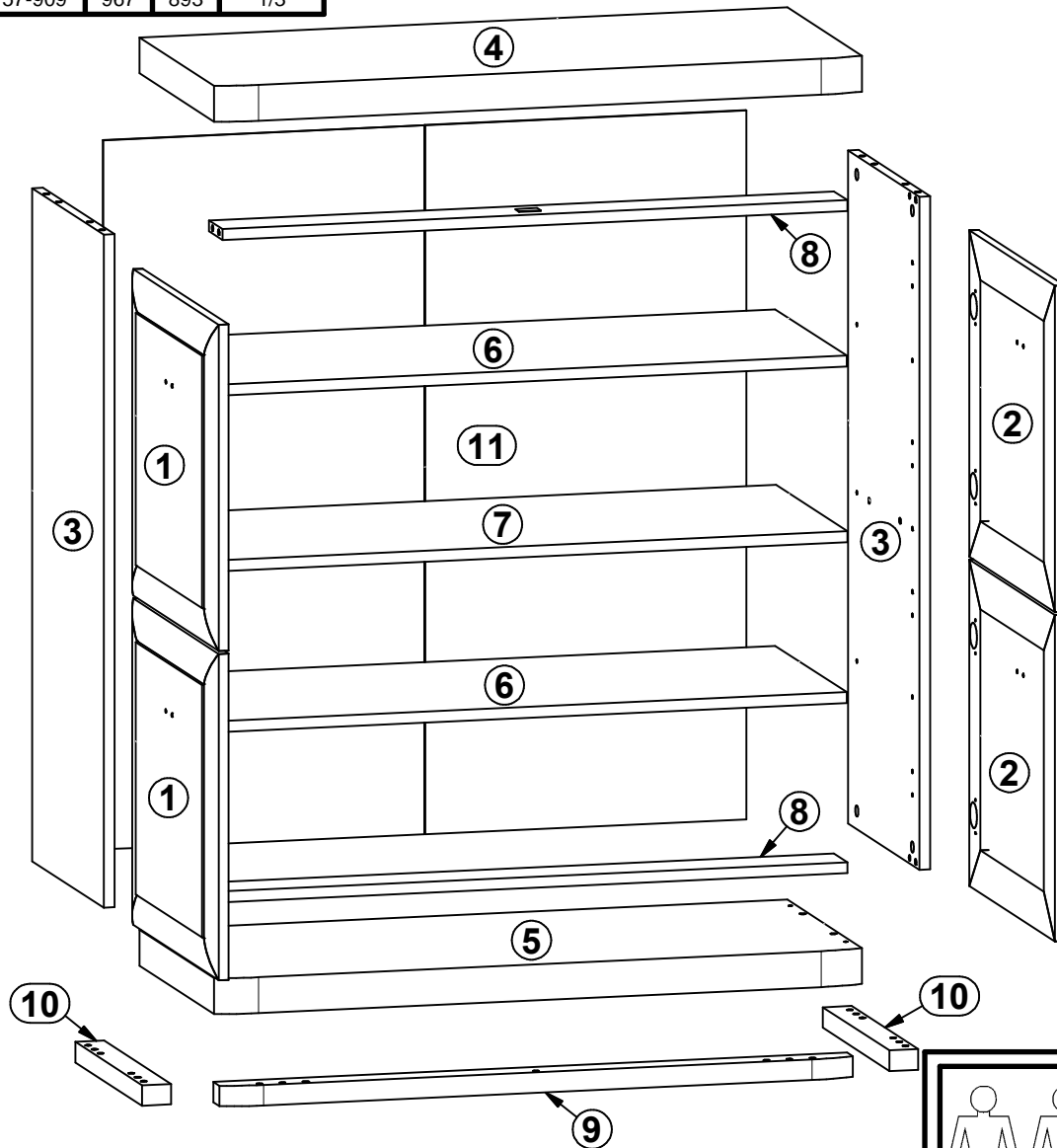
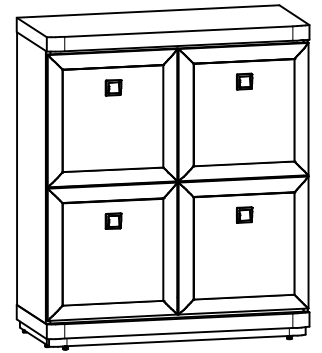


# OREGON

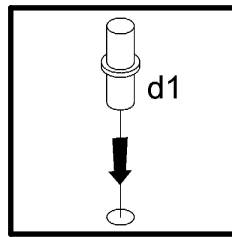
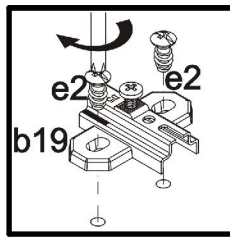
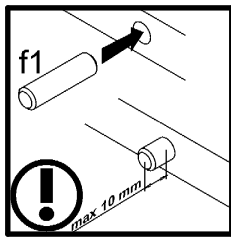
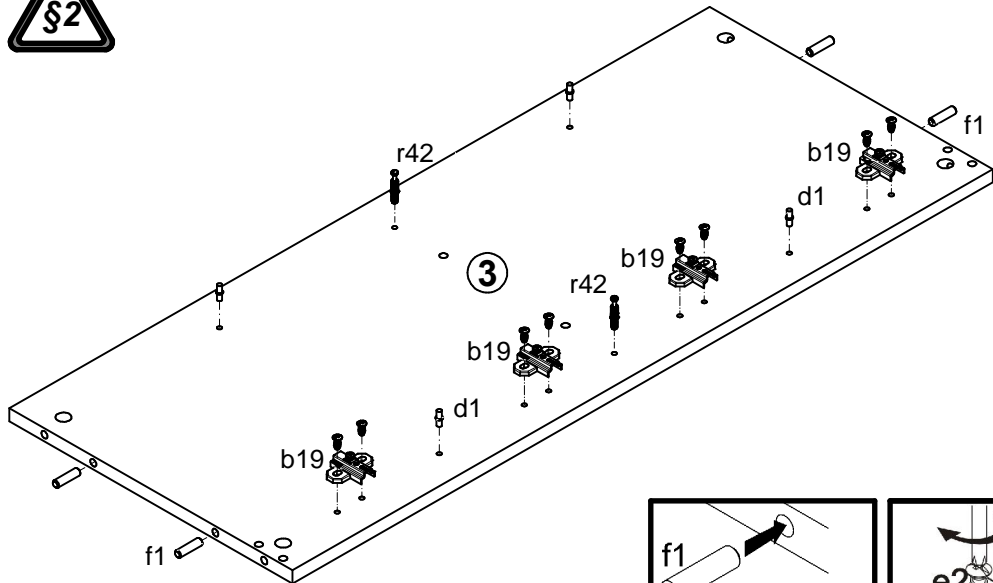
# S157-KOM4D

A	B	C	D	
1	S157-007	445	445	3/3
2	S157-008	445	445	3/3
3	S157-114	918	371	1/3
4	S157-201	900	396	2/3
5	S157-202	900	396	2/3
6	S157-304	867	370	1/3
7	S157-305	868	371	1/3
8	S157-401	868	70	2/3
9	S157-501	880	40	2/3
10	S157-502	346	40	2/3
11	S157-909	967	893	1/3

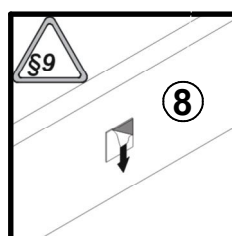
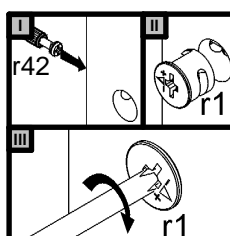
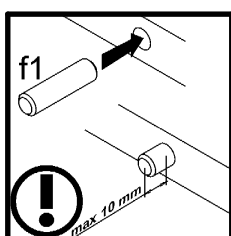
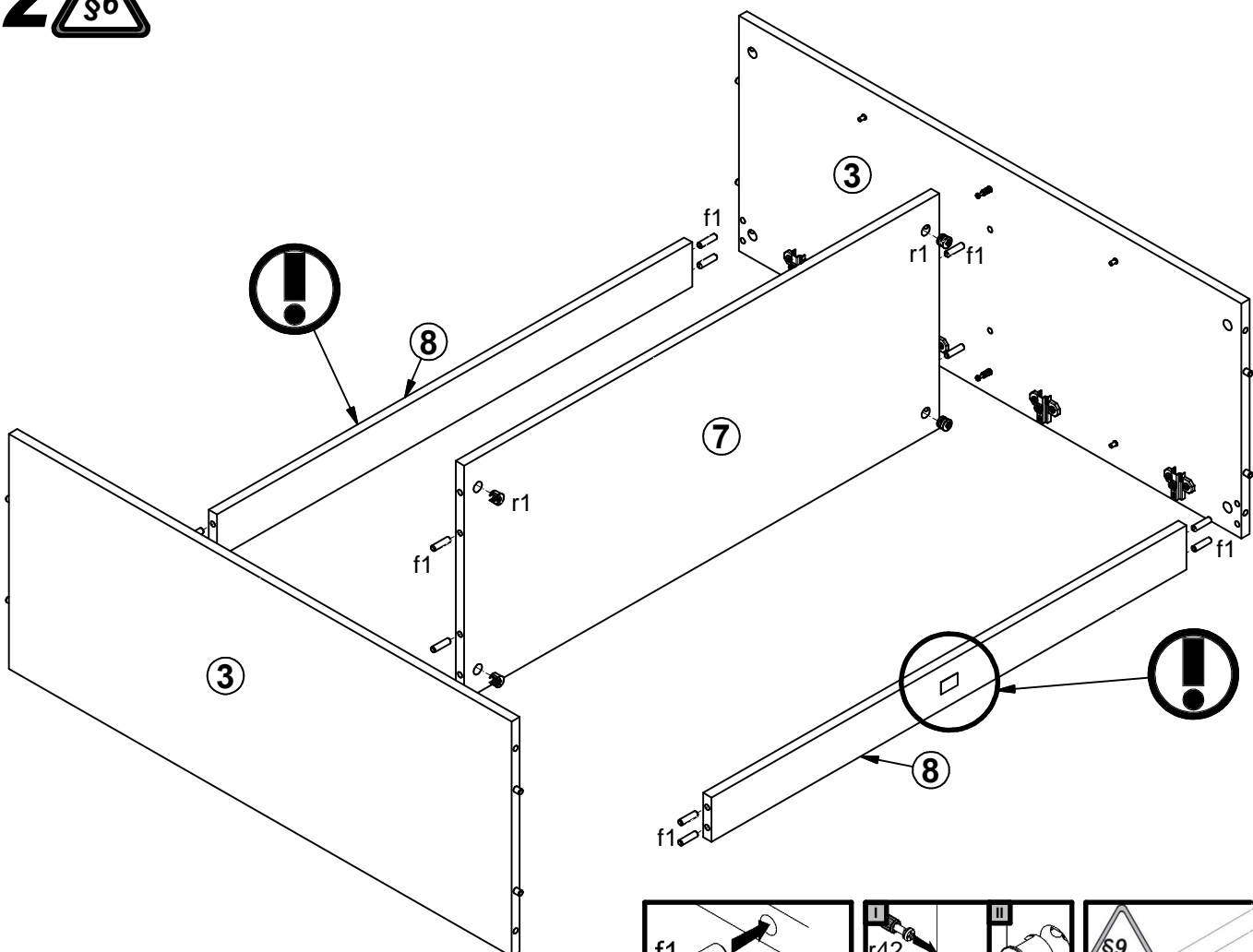


8x a44	8x b19	4x c333	8x $\phi 5 \times 17$ mm d1	7x $\phi 7 \times 50$ mm e1	16x $\phi 6,3 \times 13$ mm e2	26x $\phi 8 \times 30$ mm f1	8x M4x18 mm j59	4x M6/ø8x14 mm k39/2
4x M6/22mm k39/3	45x l1	16x $\phi 3,5 \times 15$ mm p51	12x $\phi 1,5 \times 12$ mm #16 r1	12x r42	8x $\phi 16$ s2	1x z1	1x n26/1	1x $\phi 3,5 \times 16$ mm p38

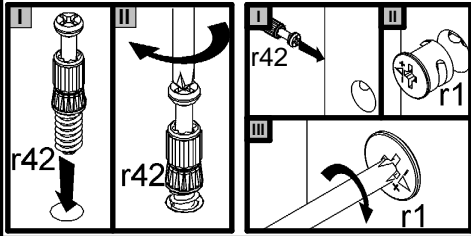
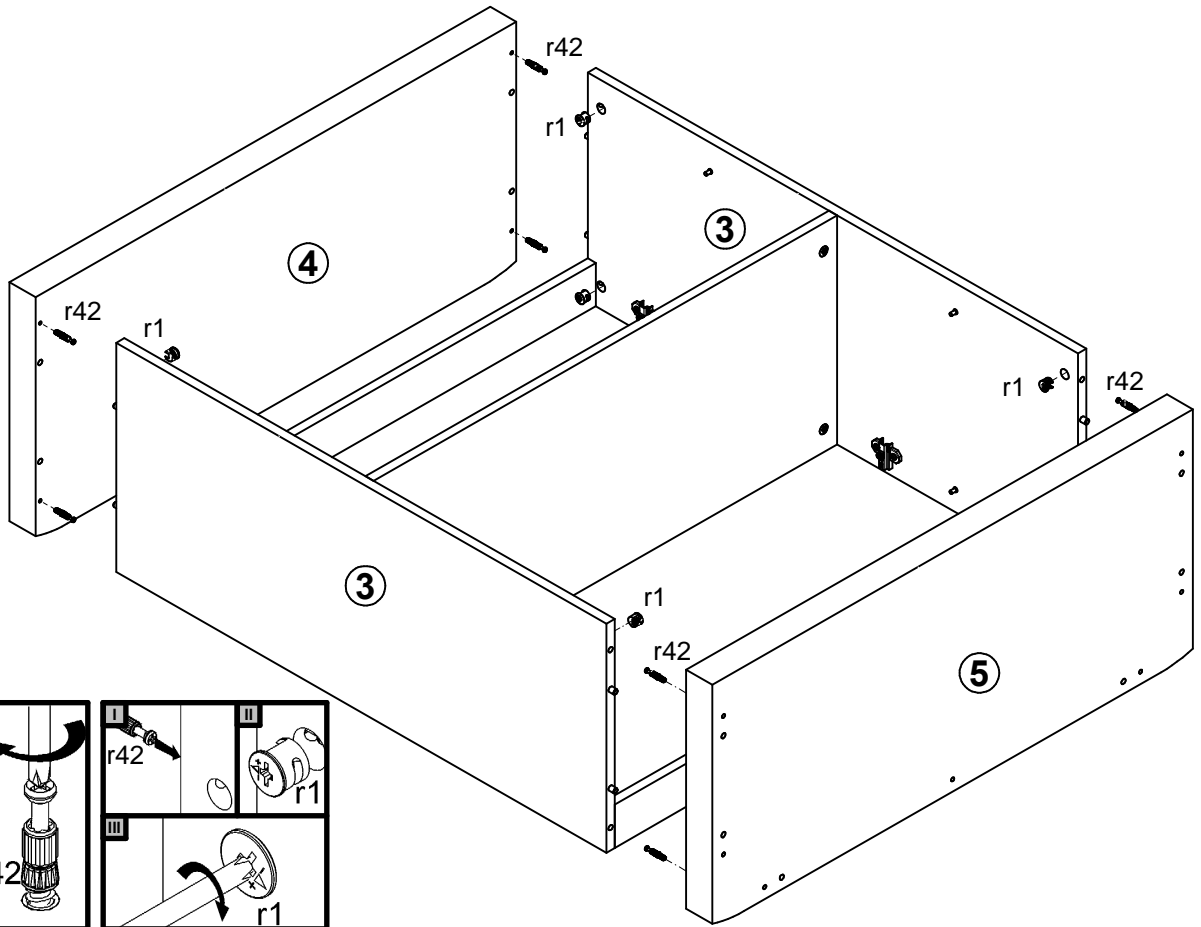
# 1



# 2



# 3



# 4

