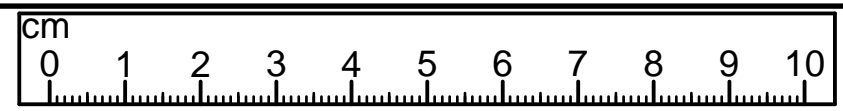
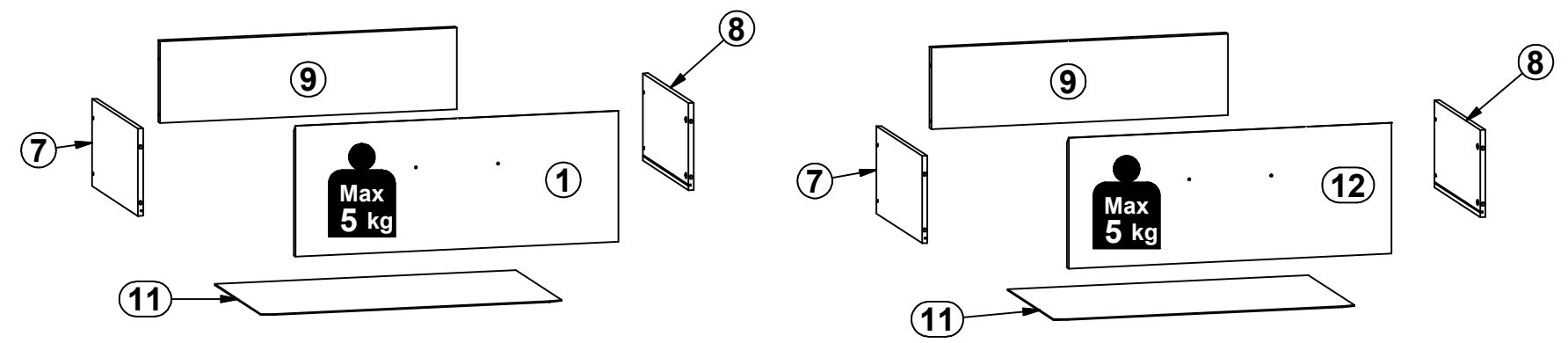
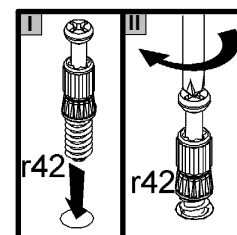
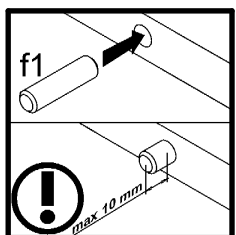
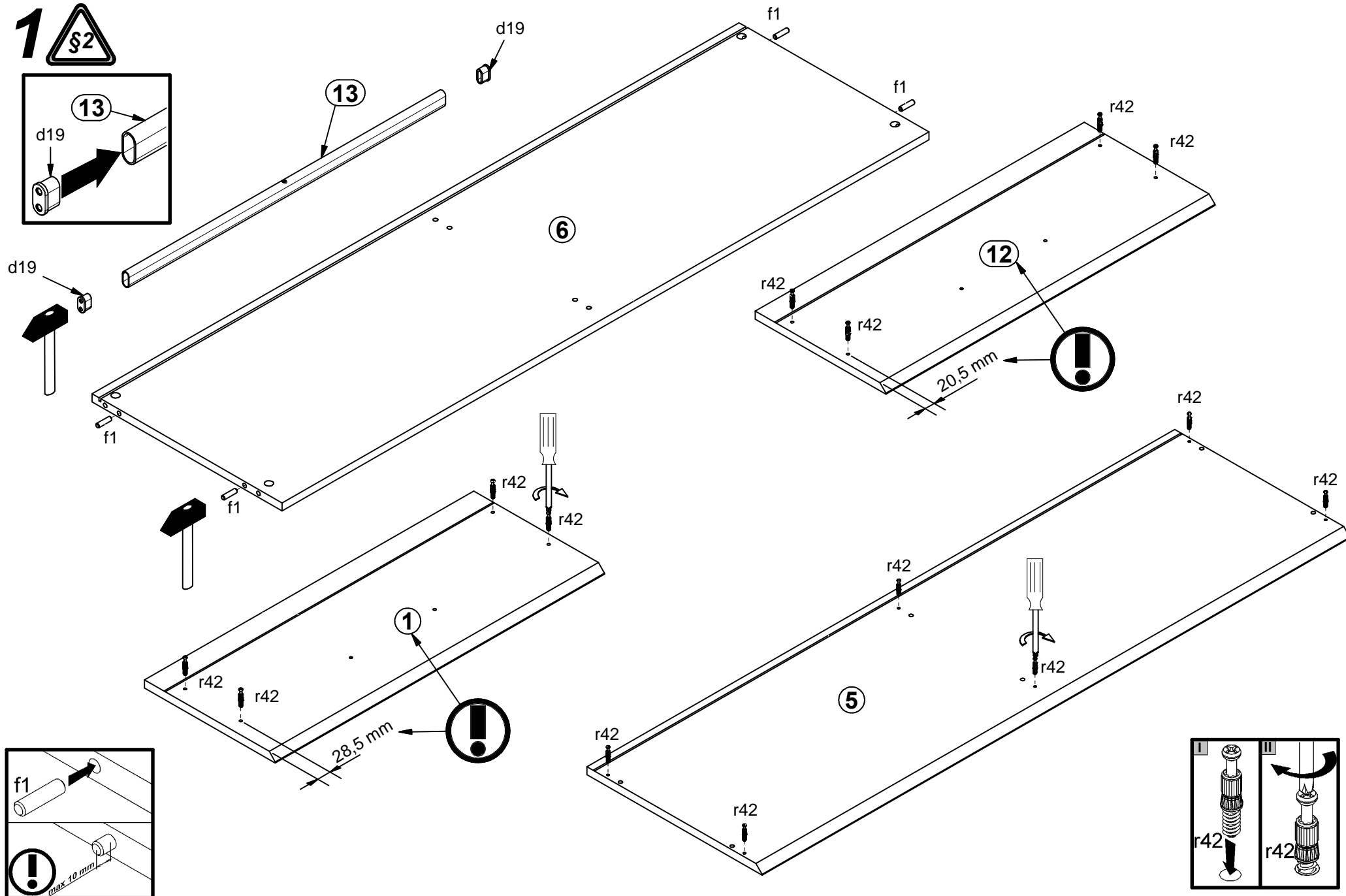
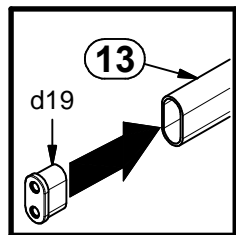


A	B	C (mm)		D
1	S229-016	755	300	2/2
2	S229-128	289	436	1/2
3	S229-129	289	436	1/2
4	S229-130	272	416	1/2
5	S229-207	1517	452	1/2
6	S229-326	1484	436	1/2
7	S229-501	400	200	1/2
8	S229-502	400	200	1/2
9	S229-504	694	187	1/2
10	S229-908	282	1494	1/2
11	WSP-965	704	408	1/2
12	S229-017	755	300	1/2
13	wp-726	726	30	1/2

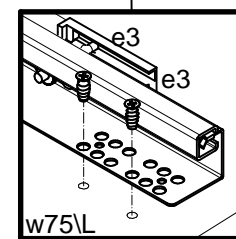
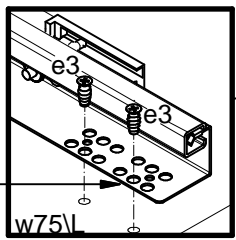
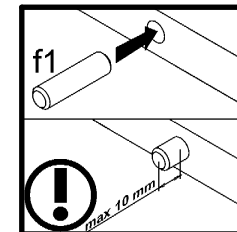
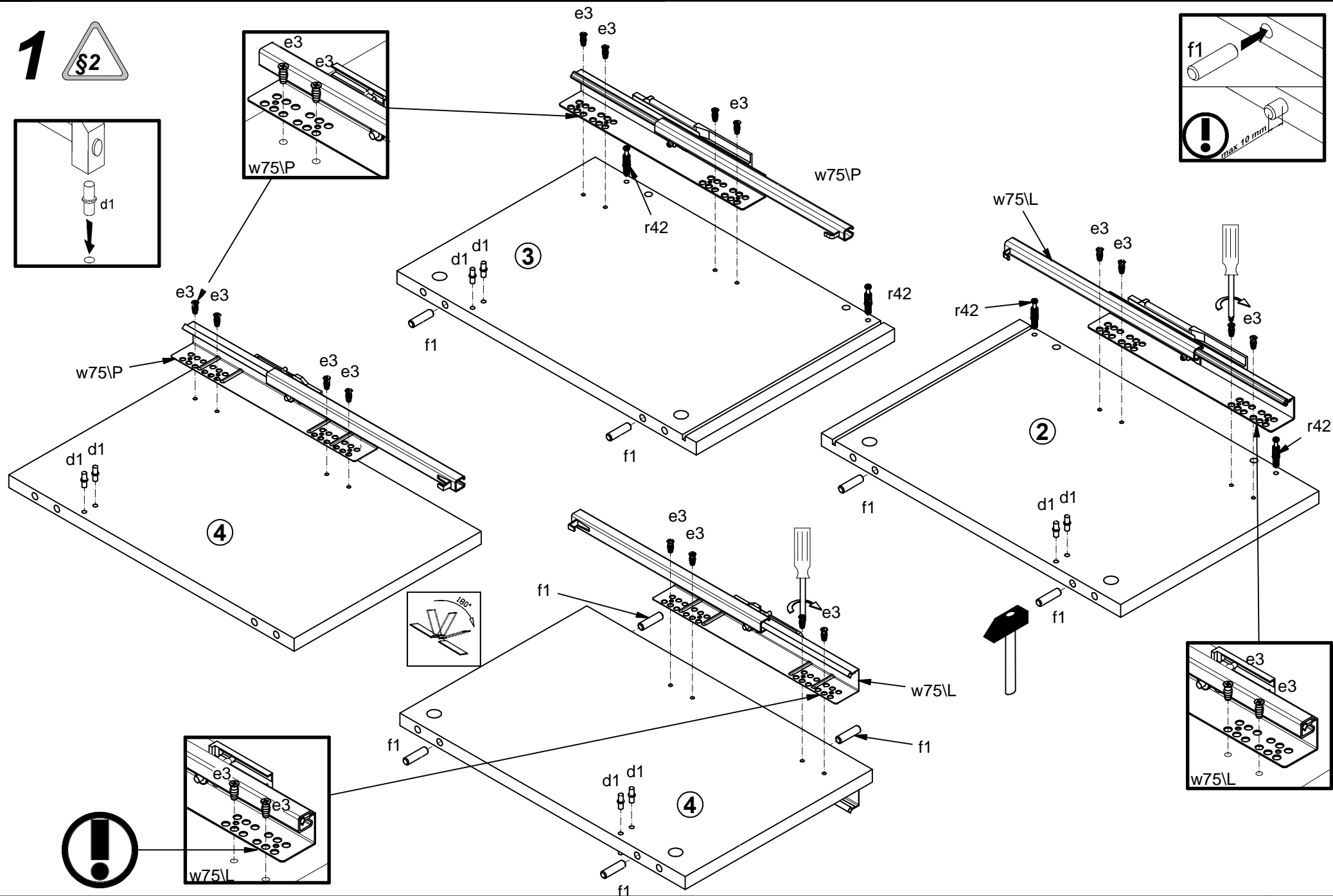
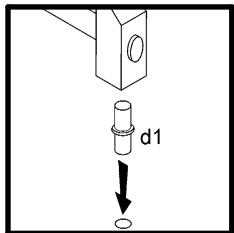


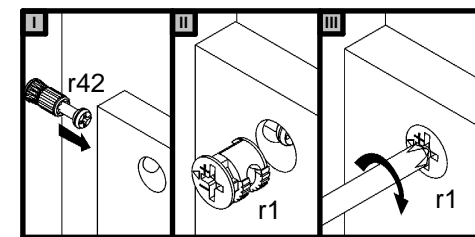
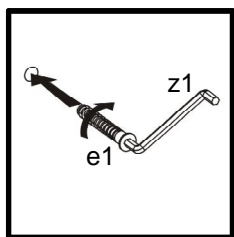
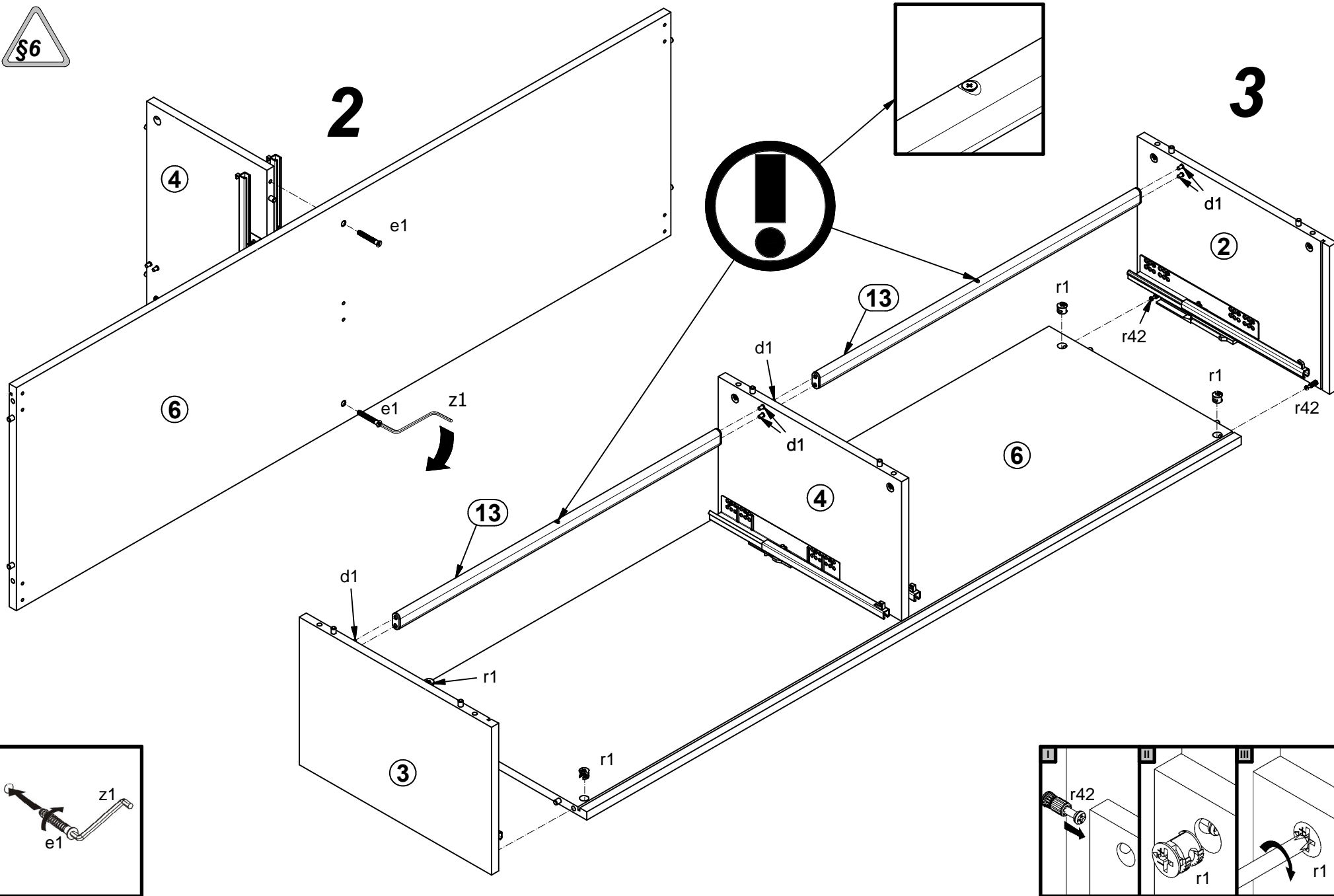
2x 192mm c398	8x Ø5x17 mm d1	4x d19	2x Ø7x50 mm e1	26x Ø6x13 mm e3	12x Ø8x30 mm f1	8x Ø6,5x40 mm f25	4x M4x22 mm j30	5x k82\1	5x k82\2	14x l2	3x l1	2x Ø3,5x16 mm p25
2x Ø3,5x10 mm p35	12x Ø3,5x16 mm p38	10x Ø15x12 mm #16 r1	8x Ø12x10,5 mm #12 r15	18x 20\11 r42	3x Ø16 s2	2x 400 mm t33	2x 400 mm w75\L	2x 400 mm w75\P	1x z1			

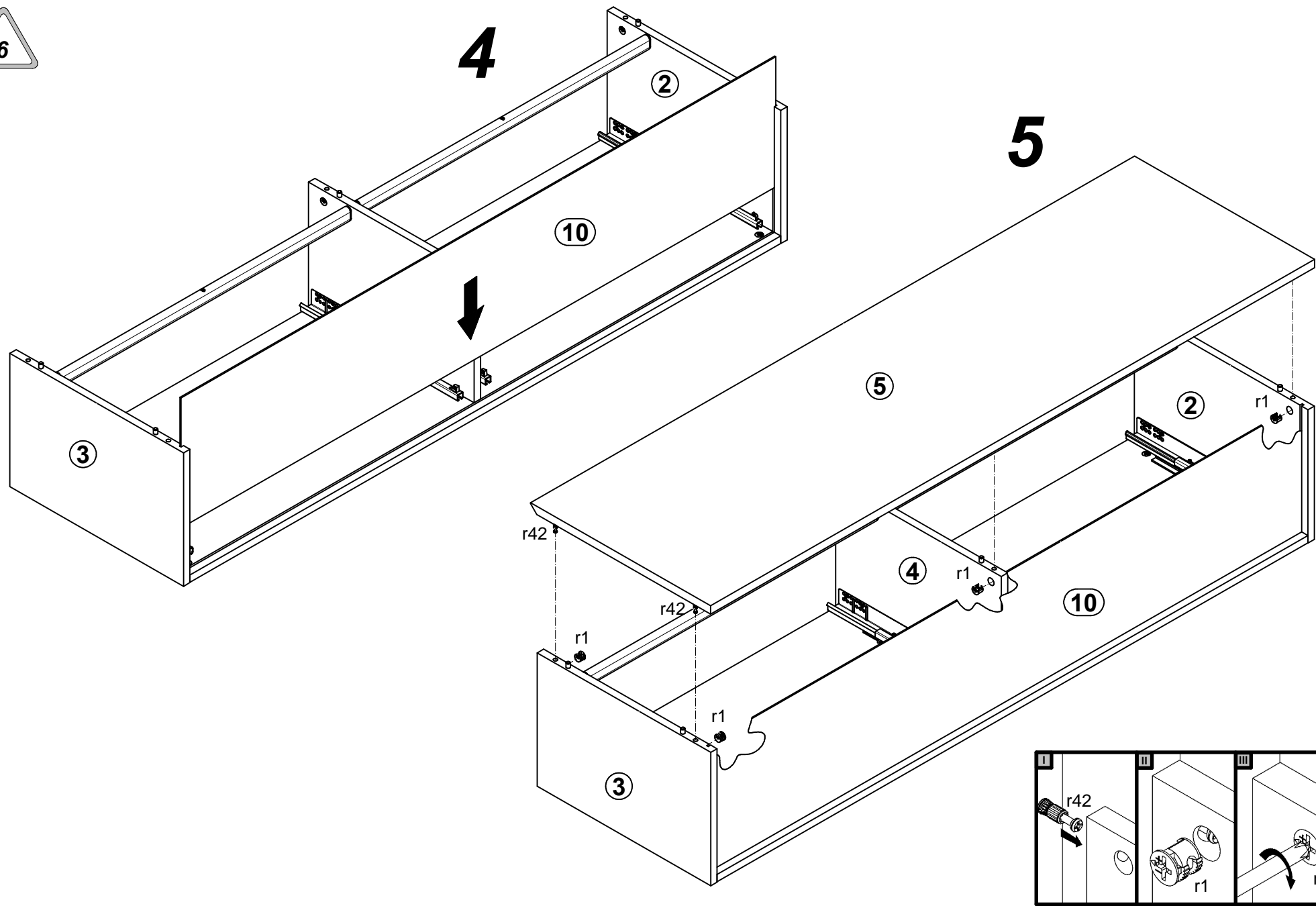
1



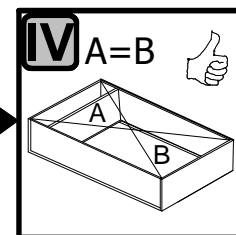
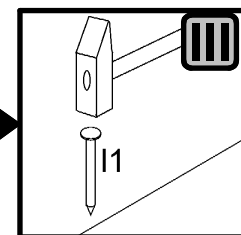
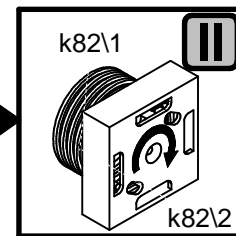
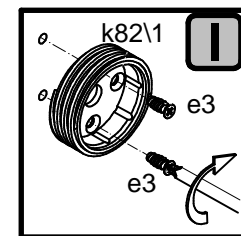
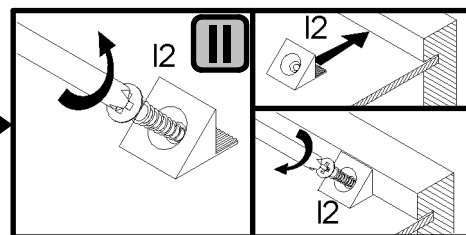
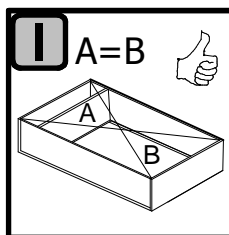
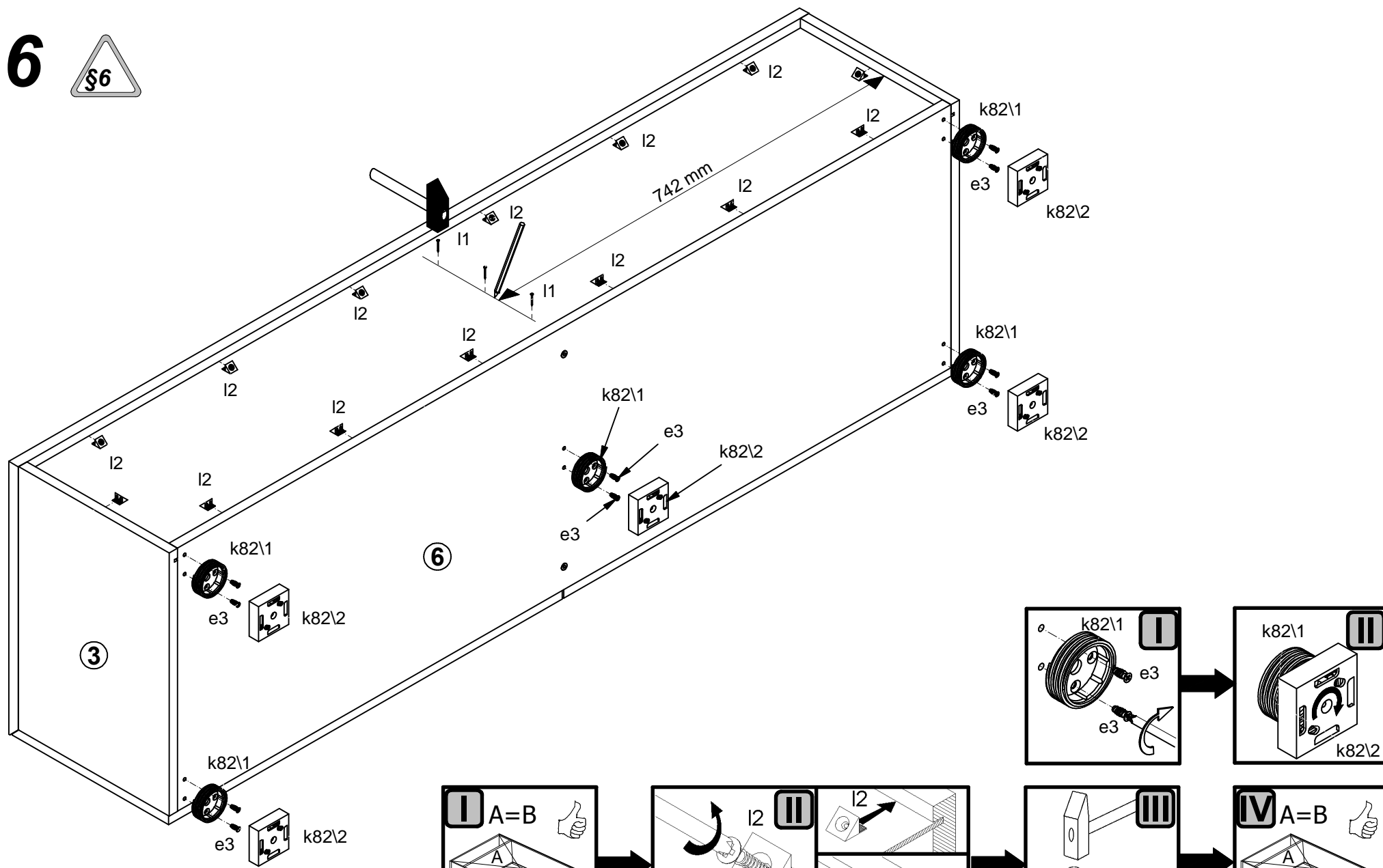
1



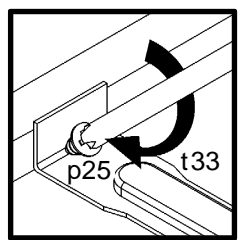
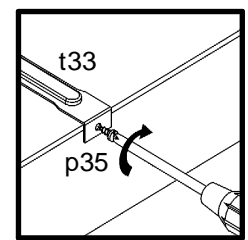
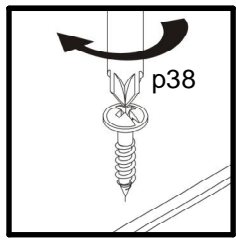
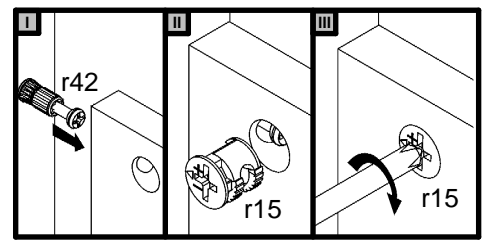
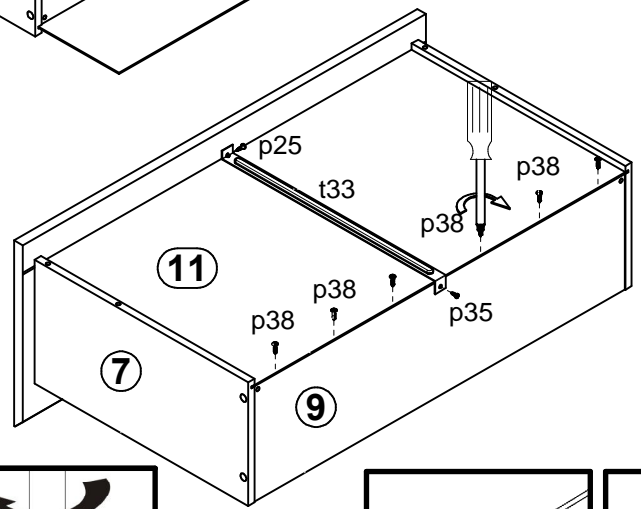
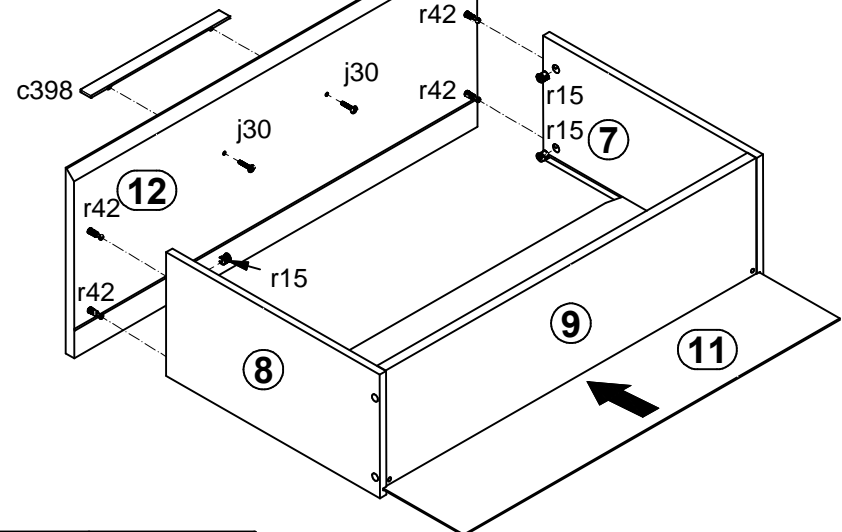
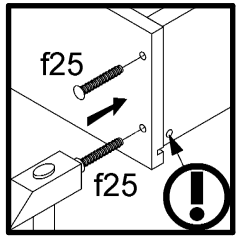
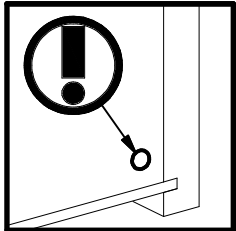
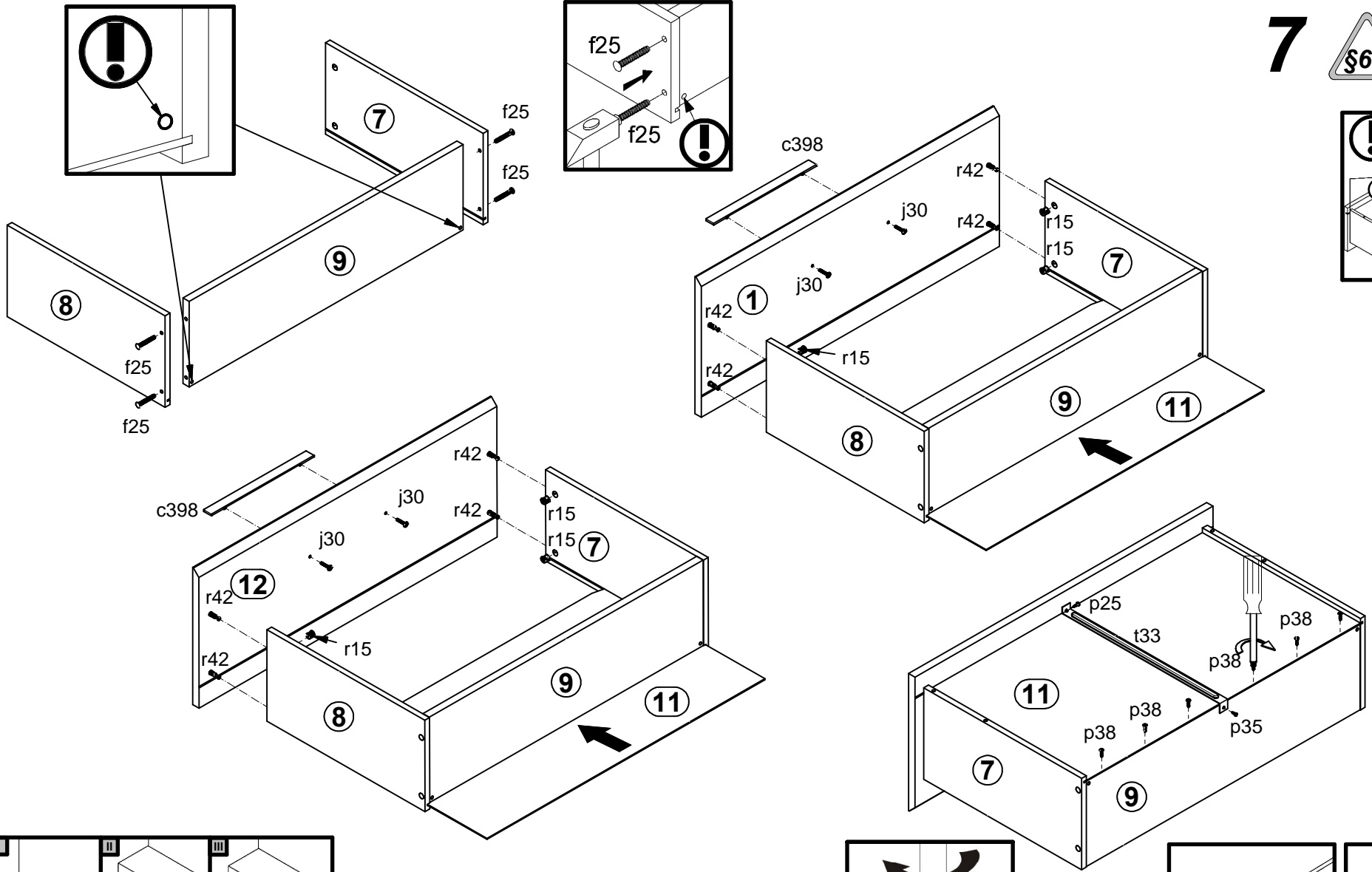
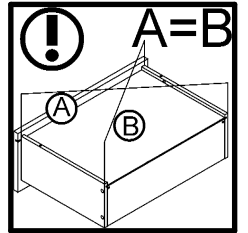




6



7



8

