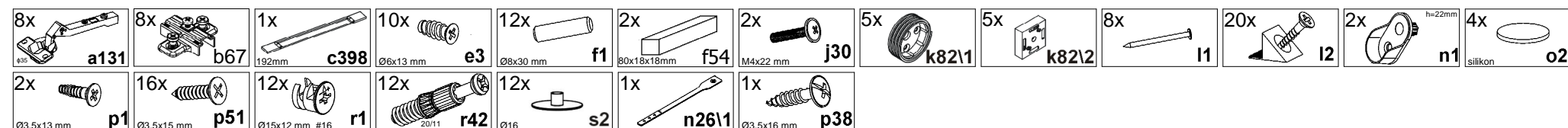
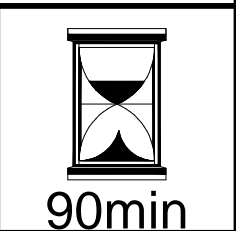
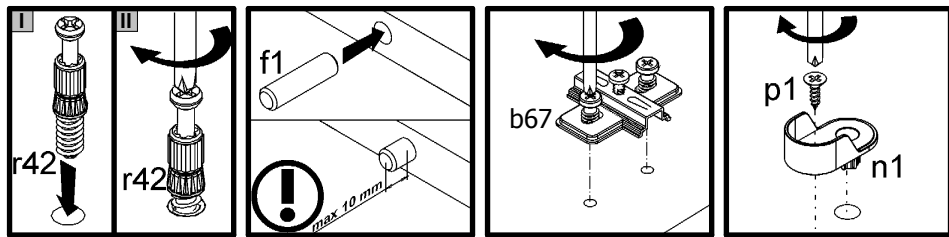
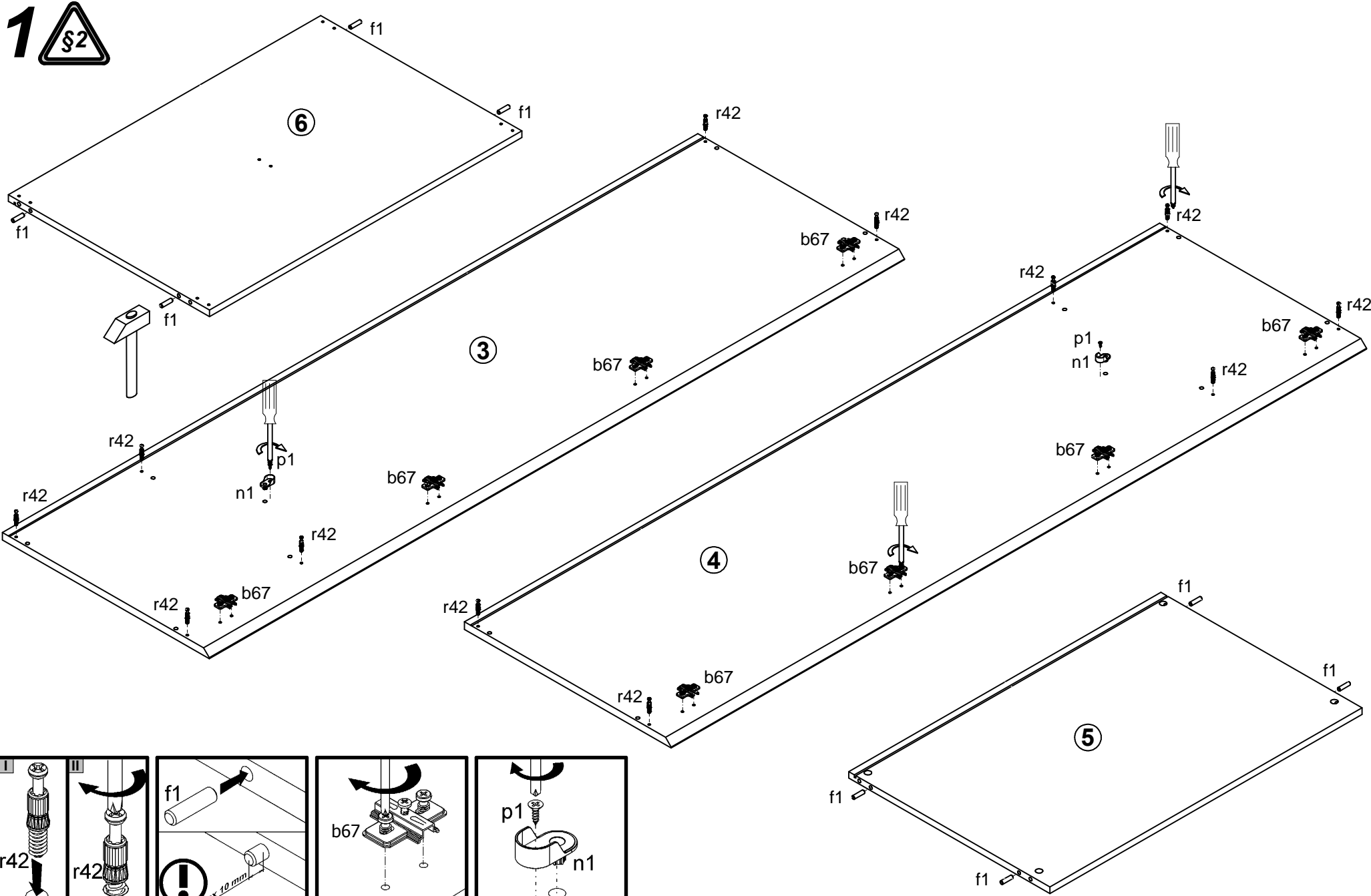
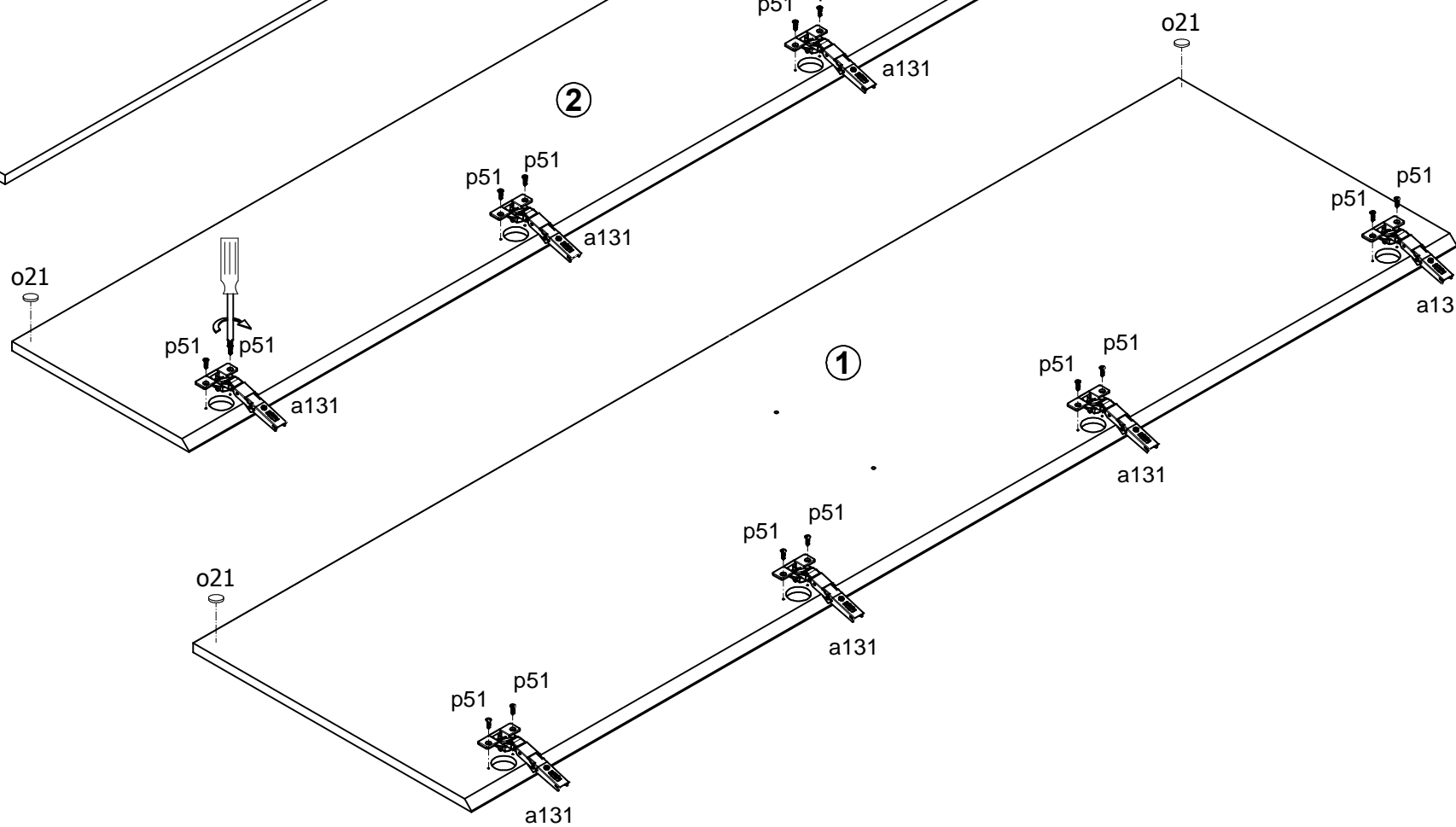
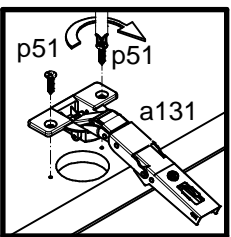
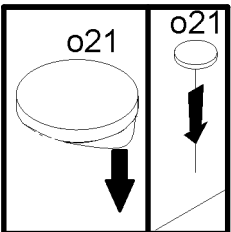
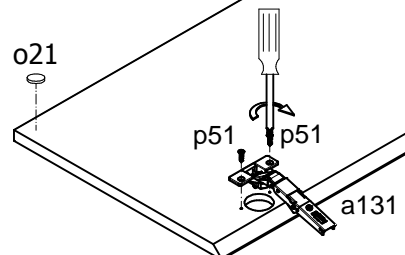
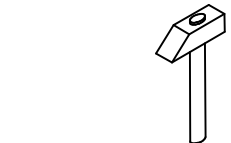
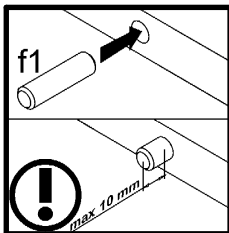
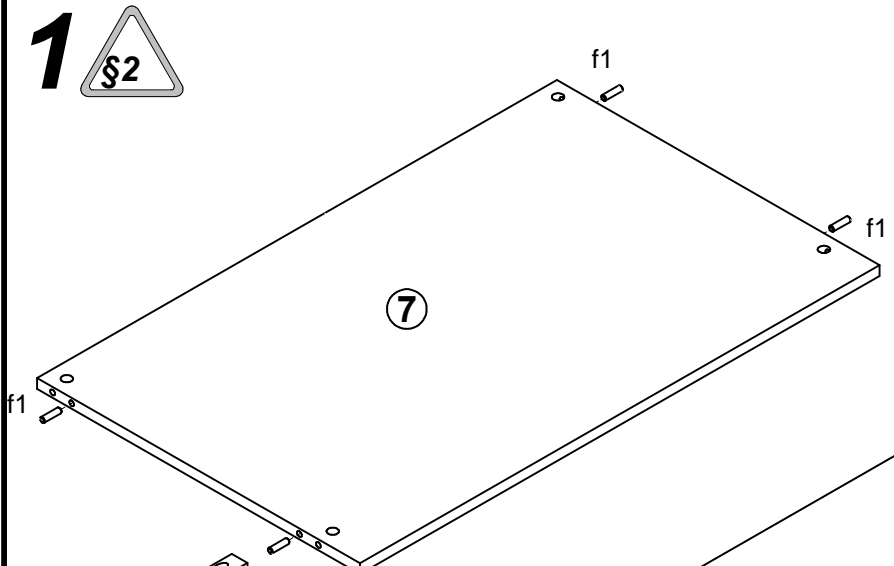


A	B	C (mm)		D
1	S229-007	1946	550	3/3
2	S229-008	1946	350	3/3
3	S229-110	1950	580	2/3
4	S229-111	1950	580	2/3
5	S229-313	876	564	1/3
6	S229-314	876	564	1/3
7	S229-315	876	544	1/3
8	S229-9905	1927	887	2/3
9	dr-871	871	22	1/3



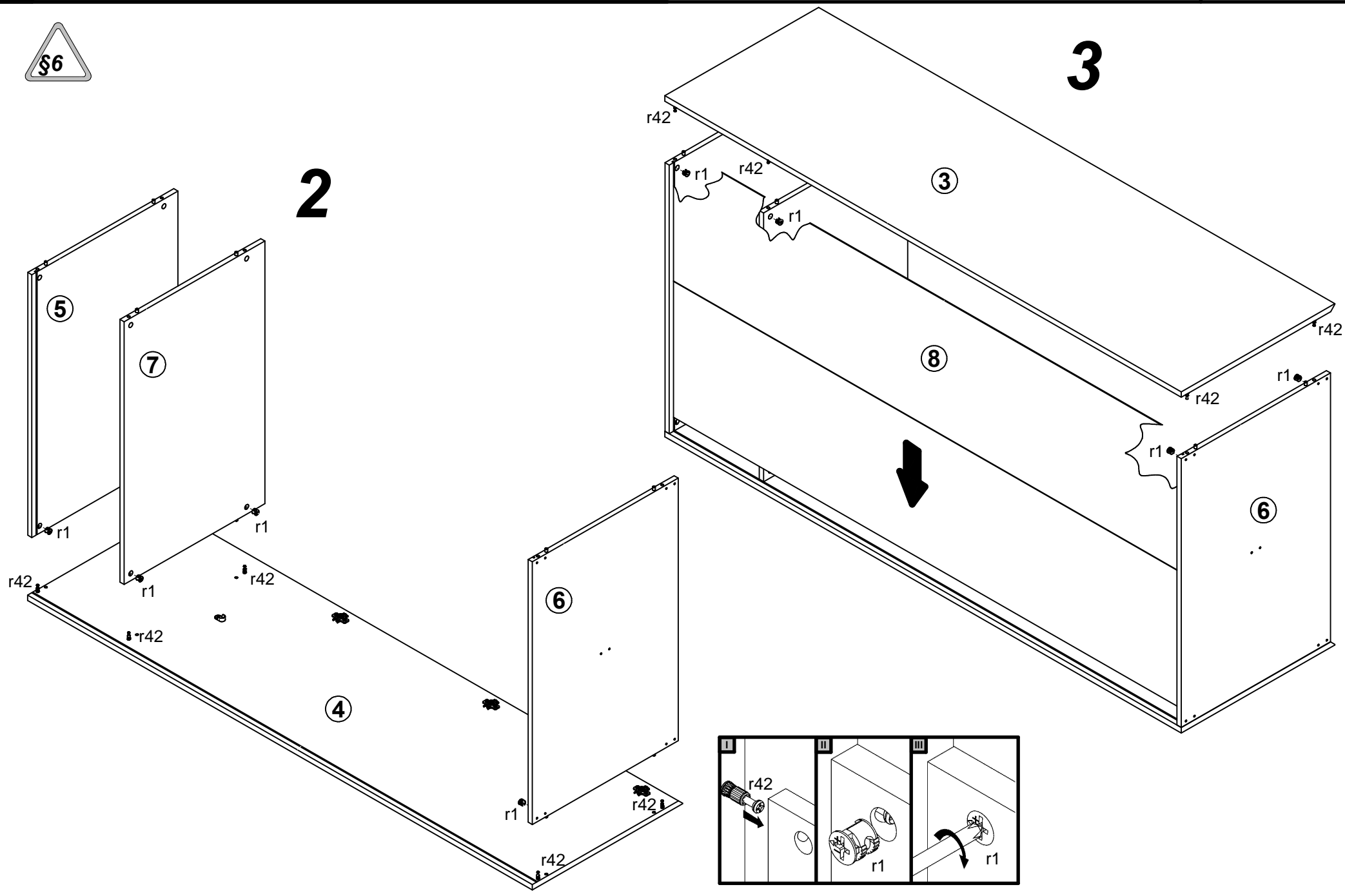


1 

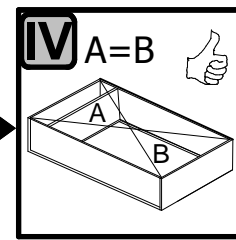
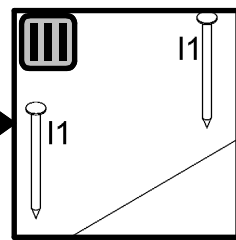
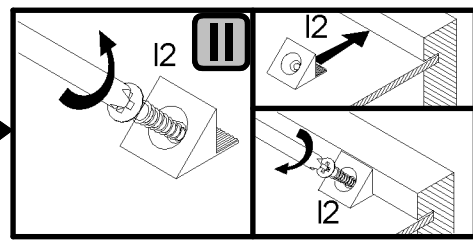
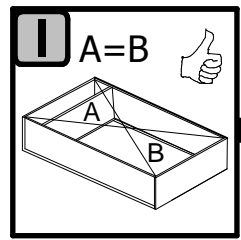
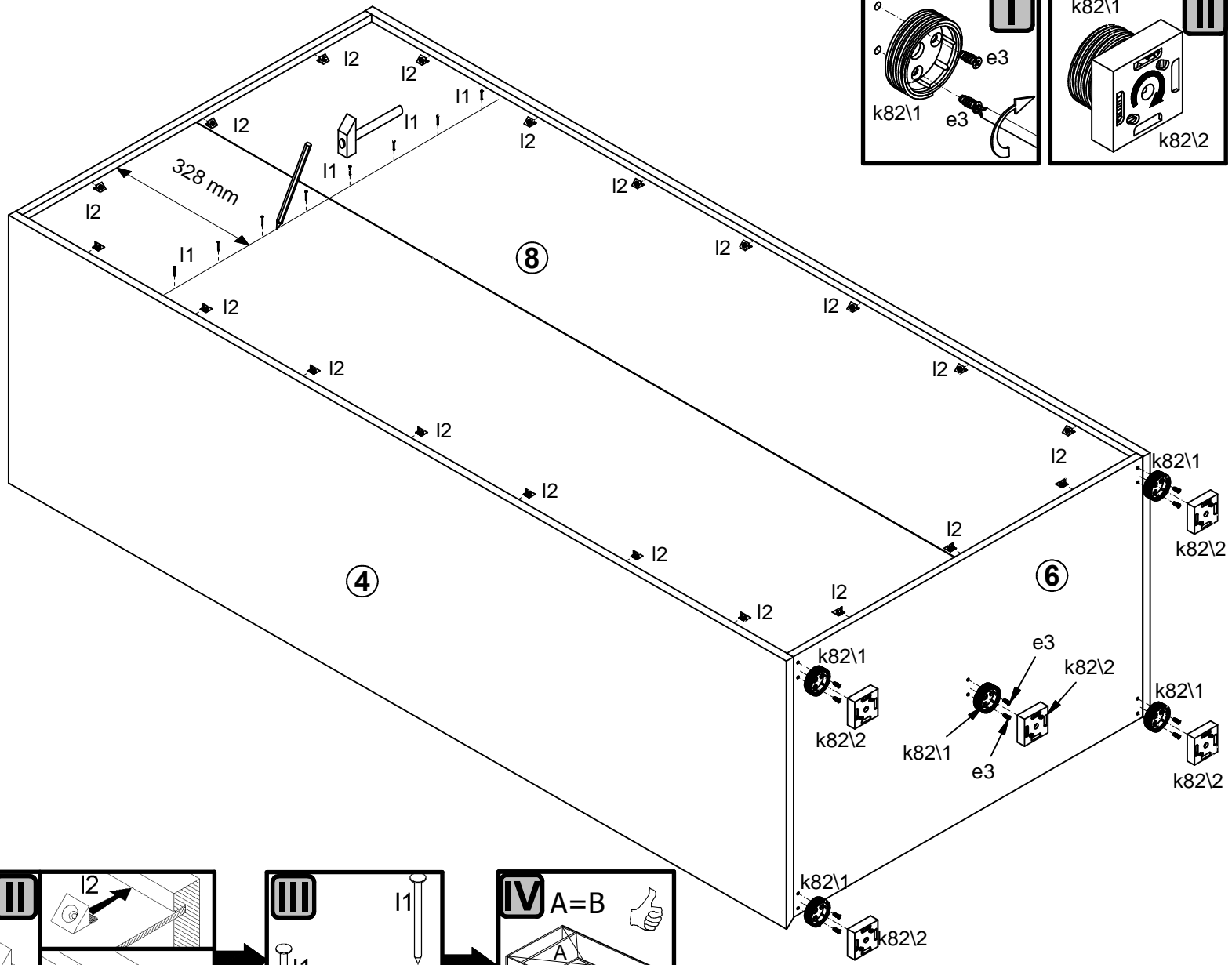


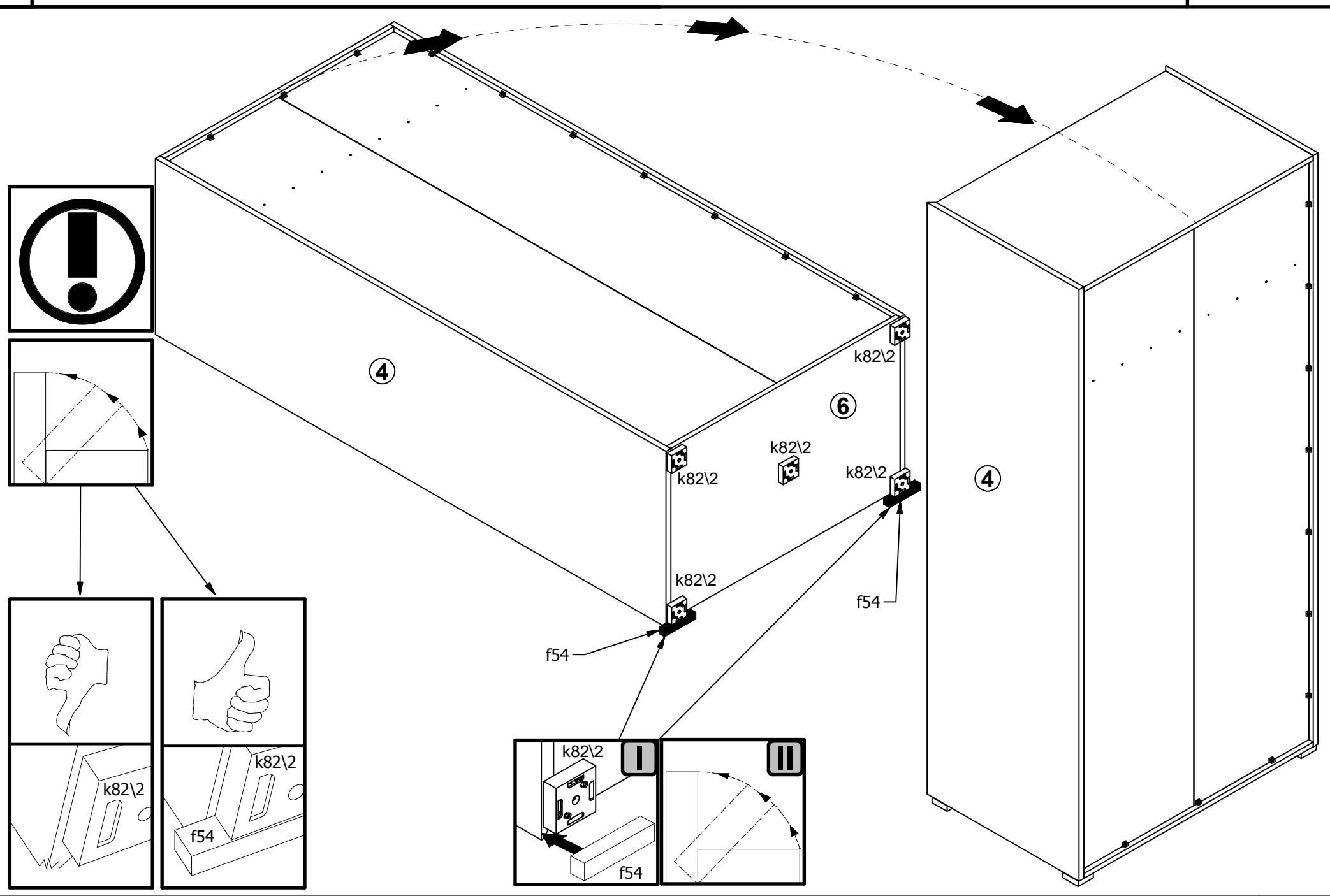
2

1



4 §6





5

