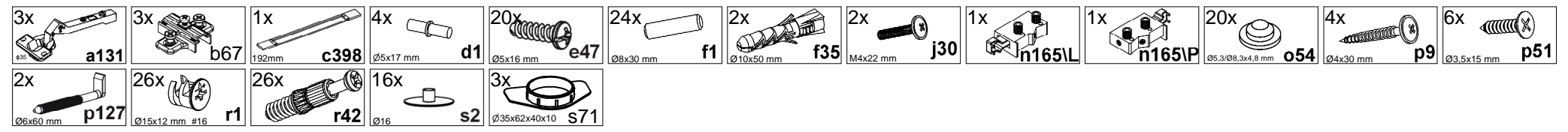
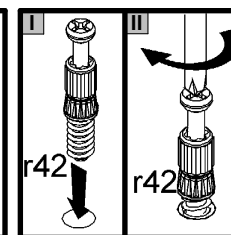
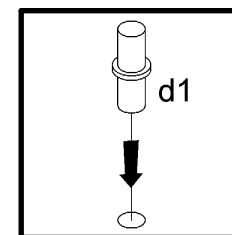
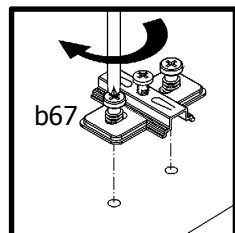
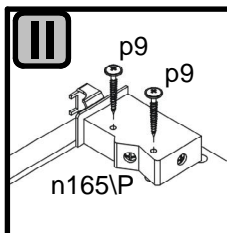
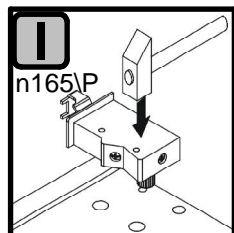
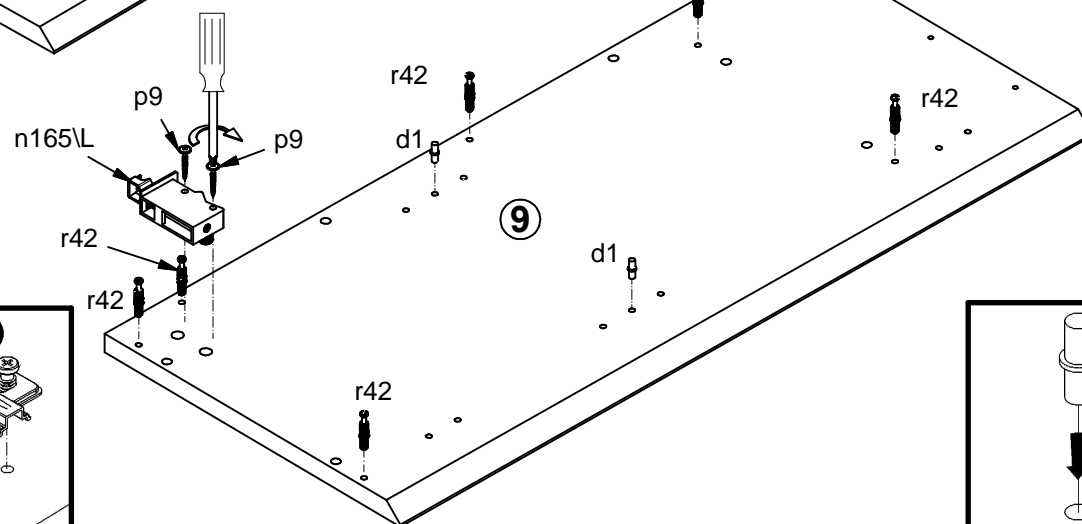
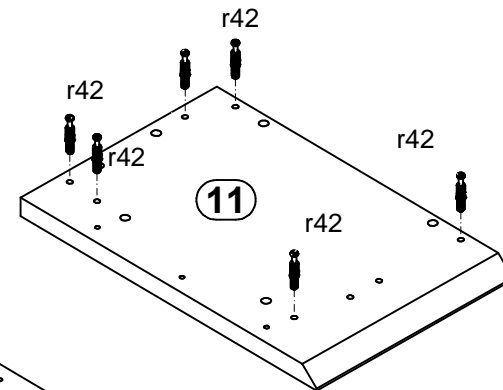
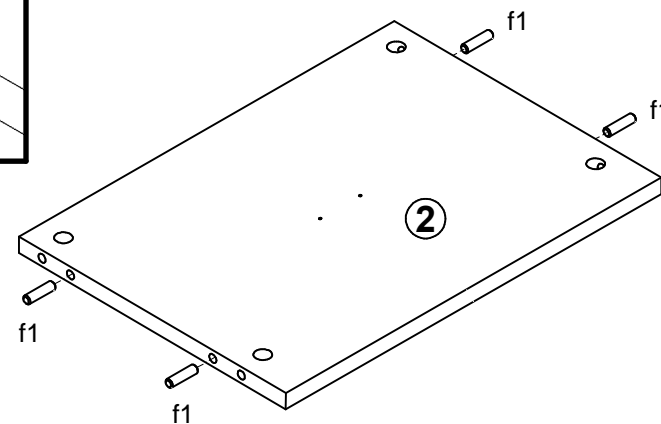
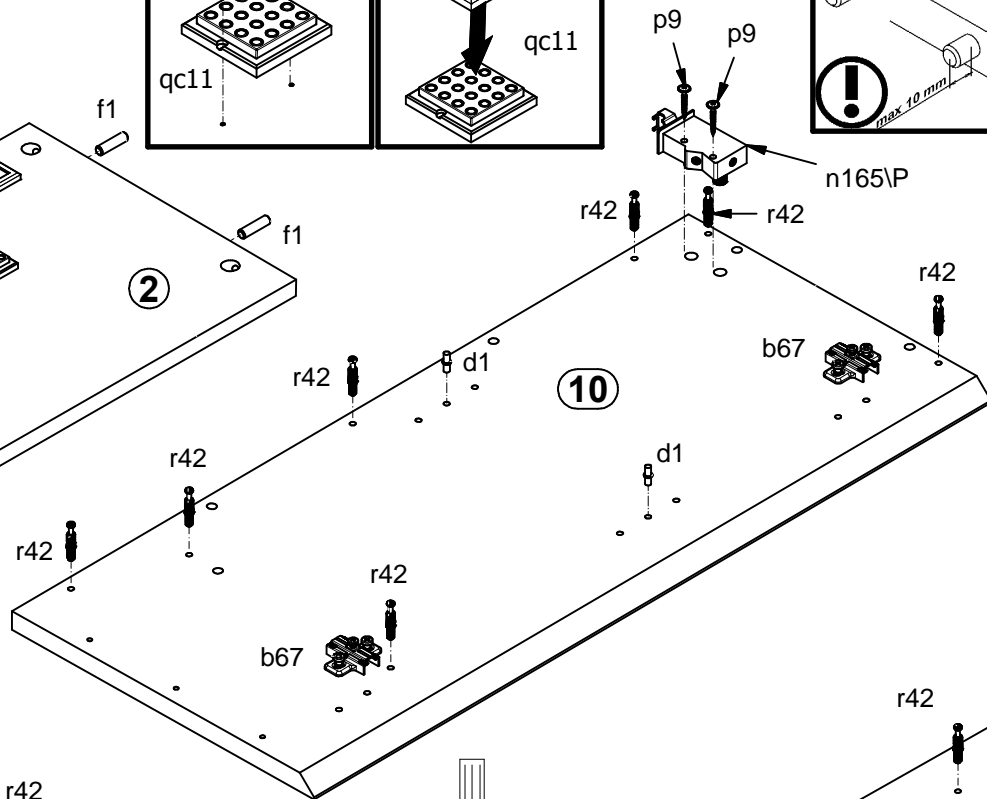
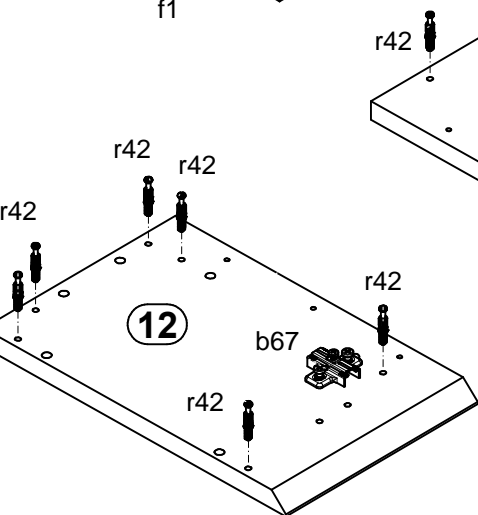
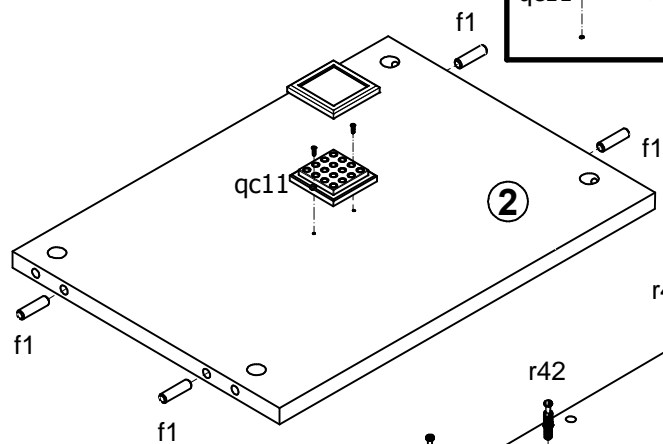
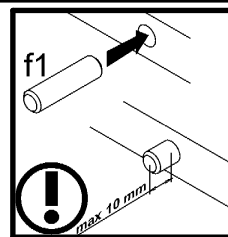
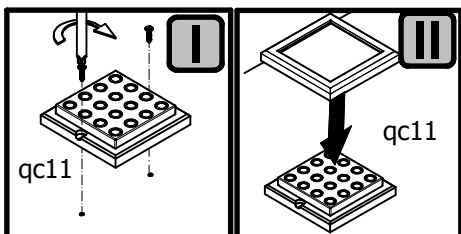


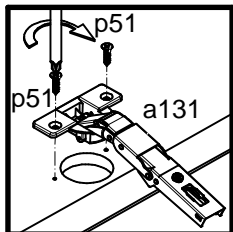
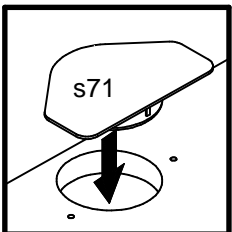
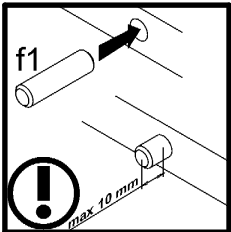
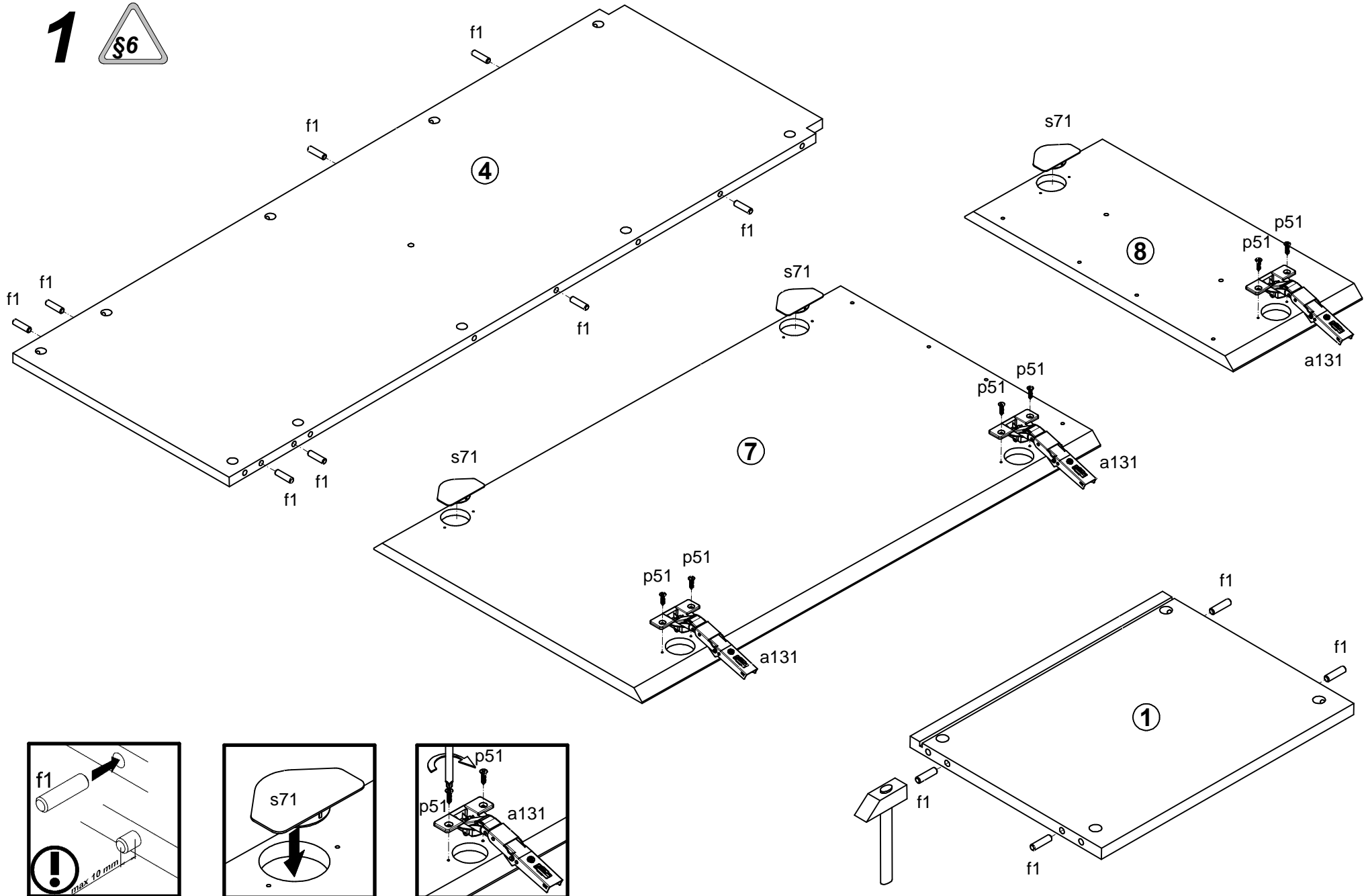
A	B	C (mm)	D
1	S229-319	422	320
2	S229-320	422	300
3	S229-321	421	290
4	S229-406	1176	422
5	S229-554	282	292
6	S229-555	282	419
7	S229-715	767	449
8	S229-716	216	449
9	S229-717	769	336
10	S229-718	769	336
11	S229-719	218	336
12	S229-720	218	336
14	qc11/1		1/2



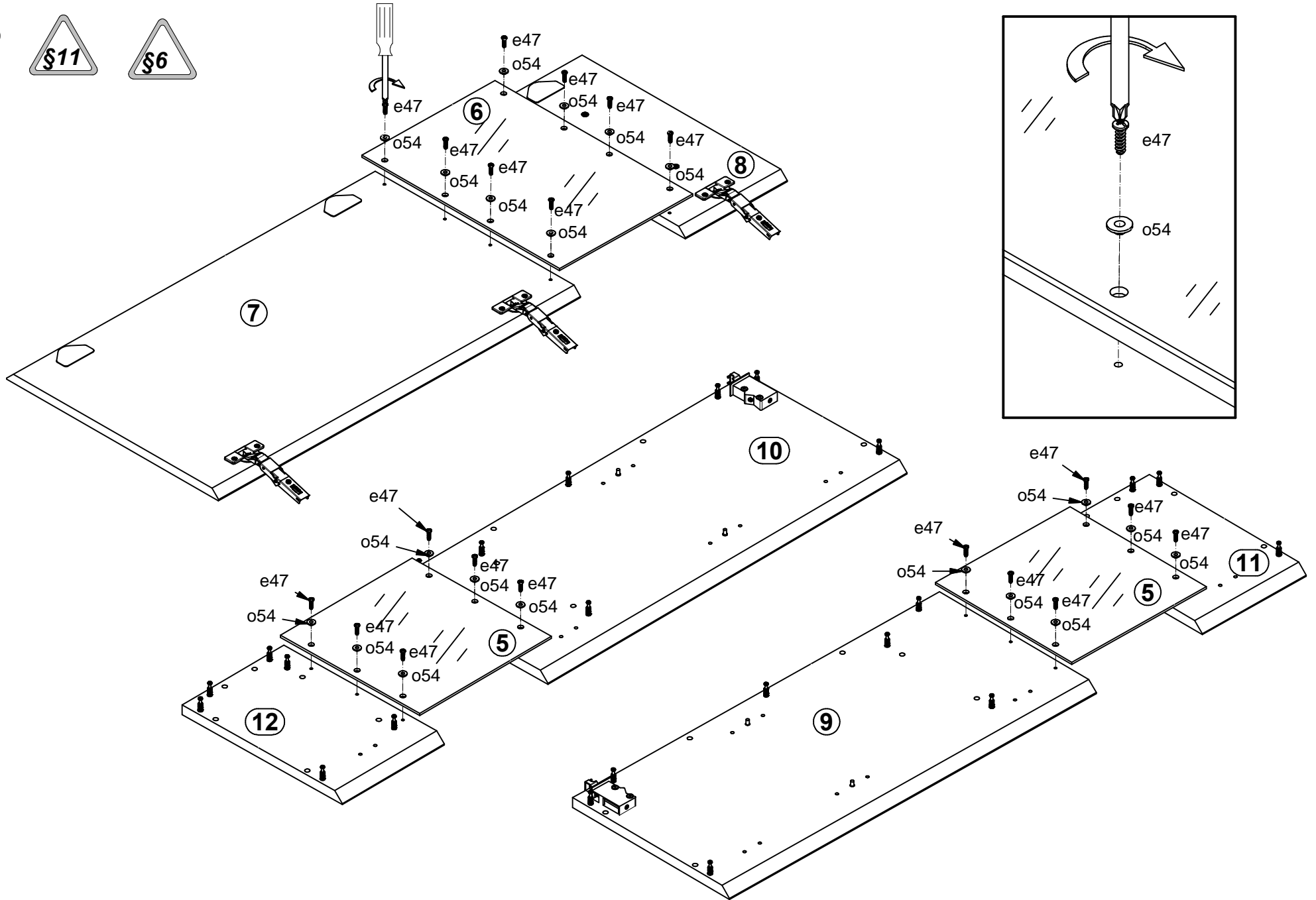
1 



1 

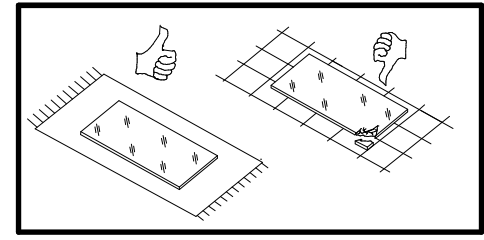
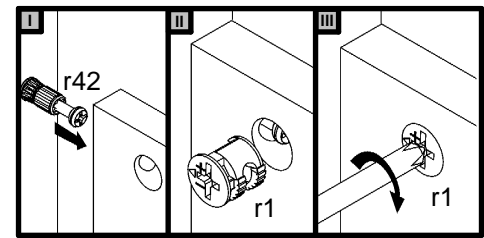
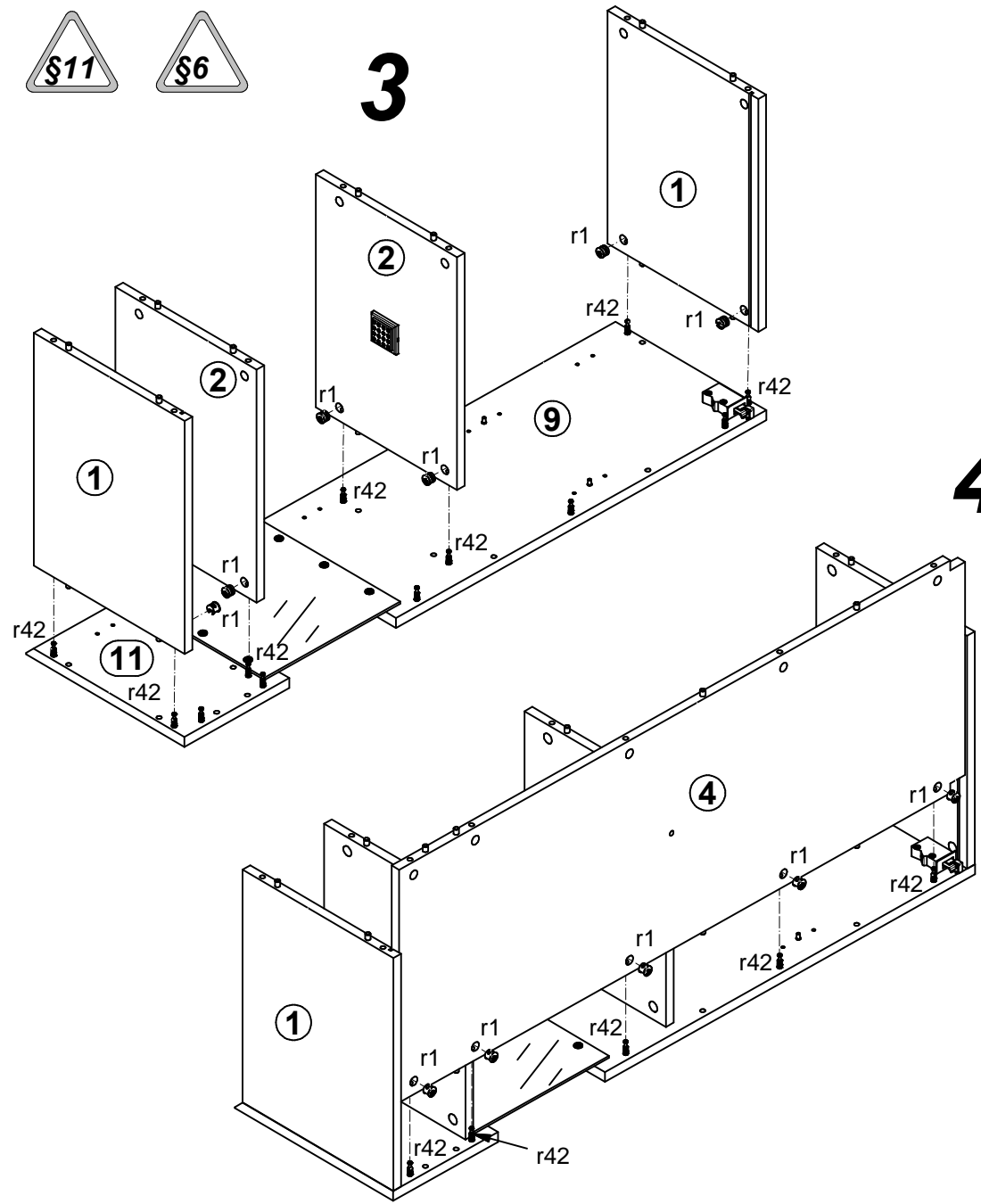


2



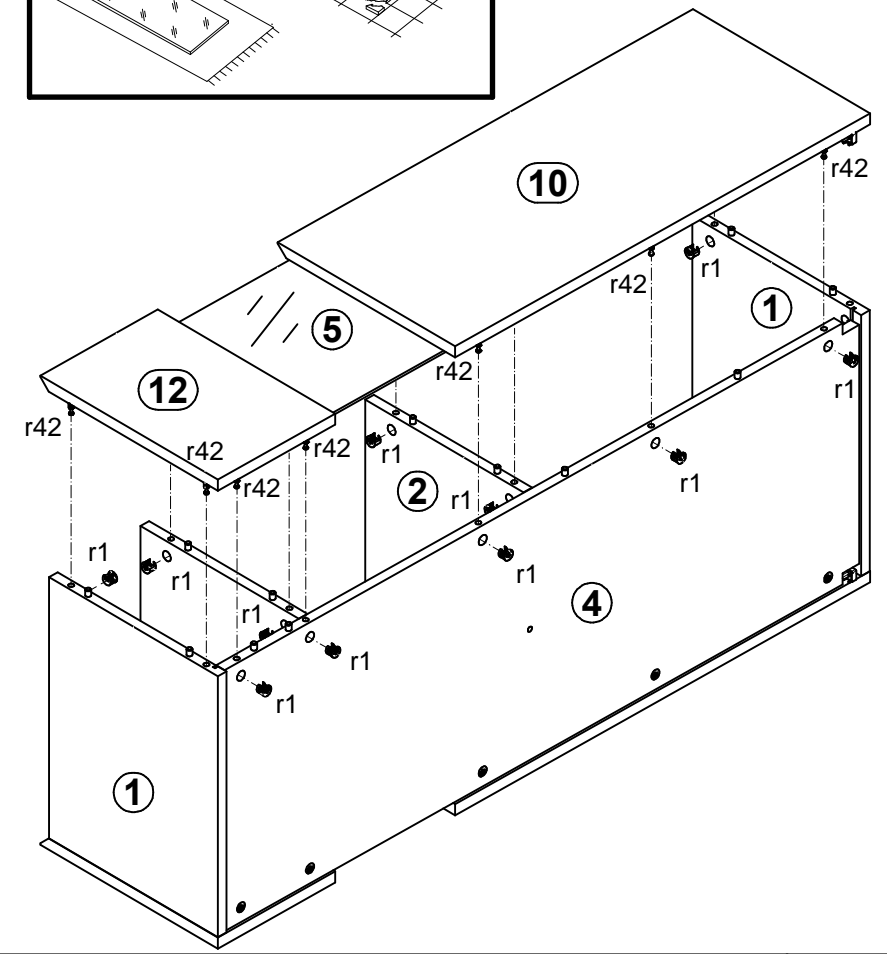


3

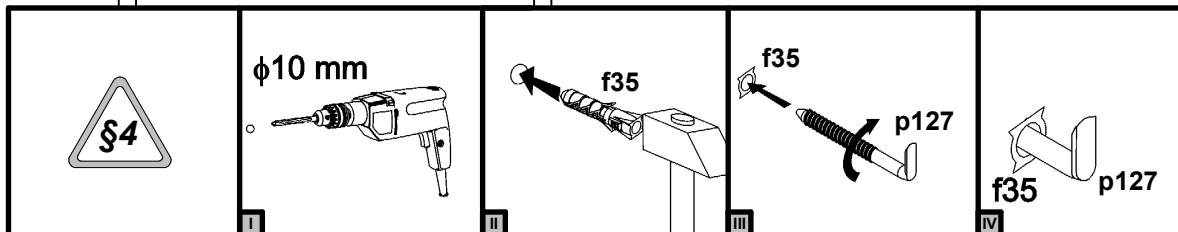
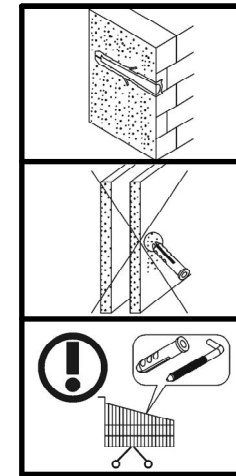
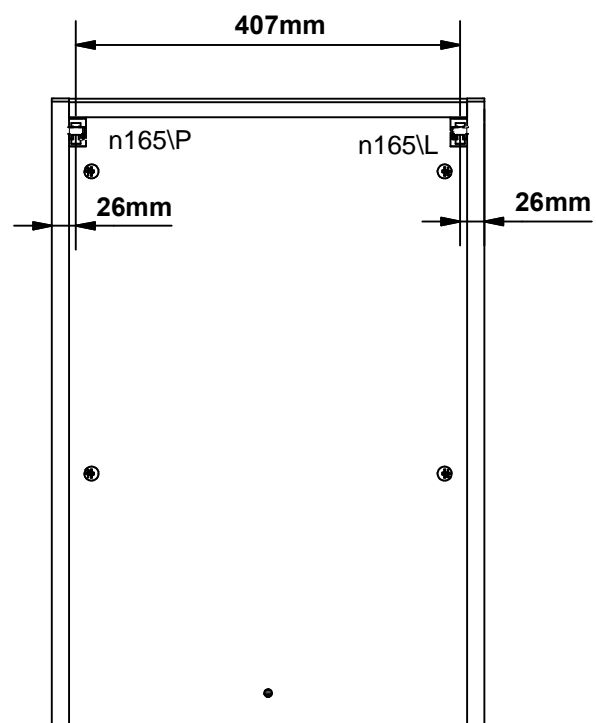
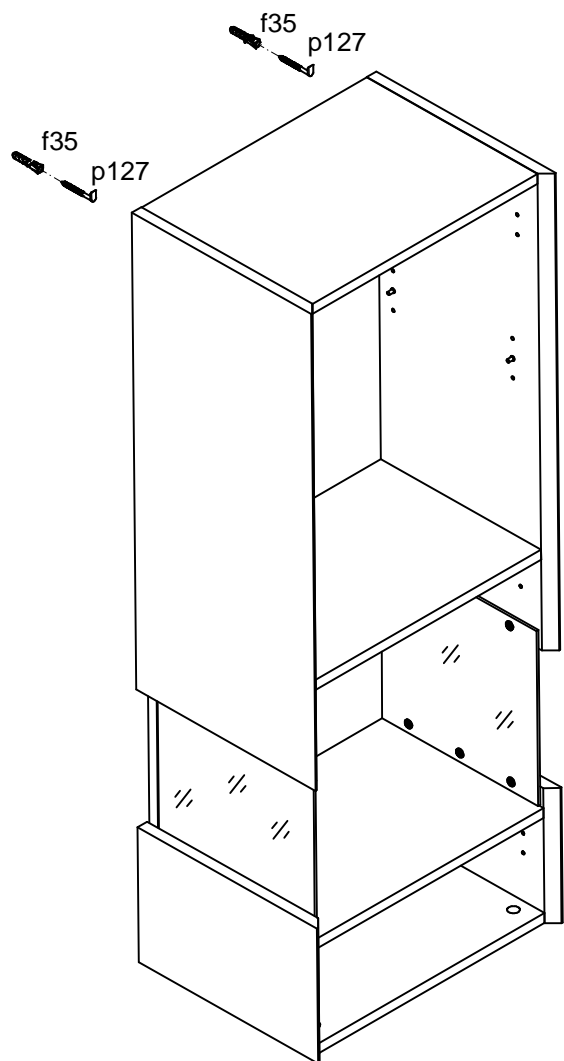
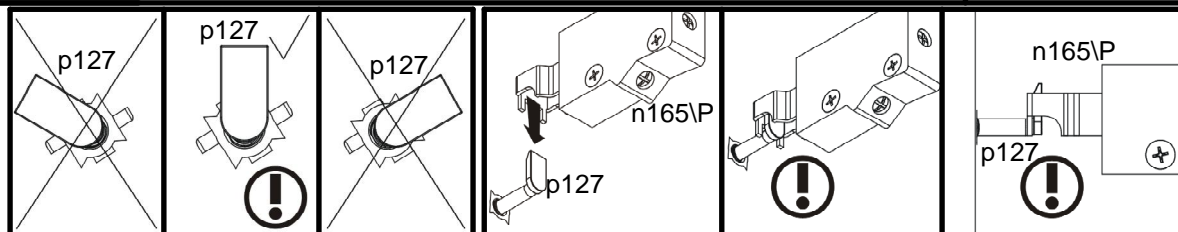


4

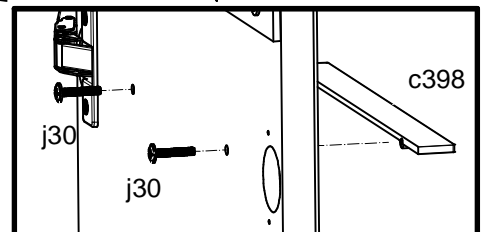
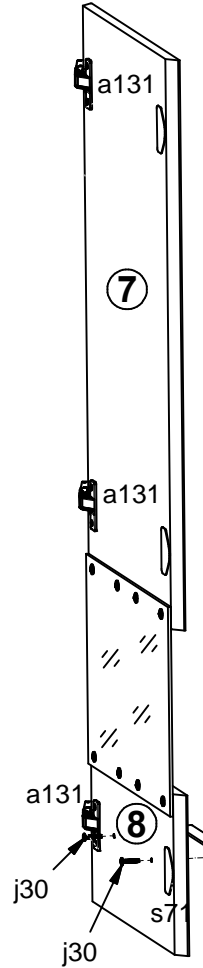
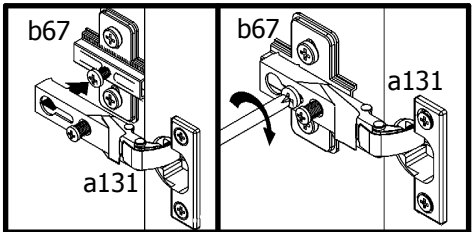
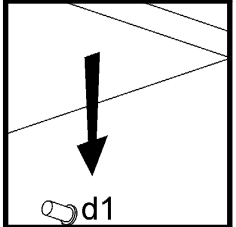
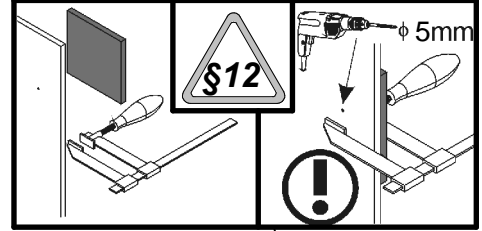
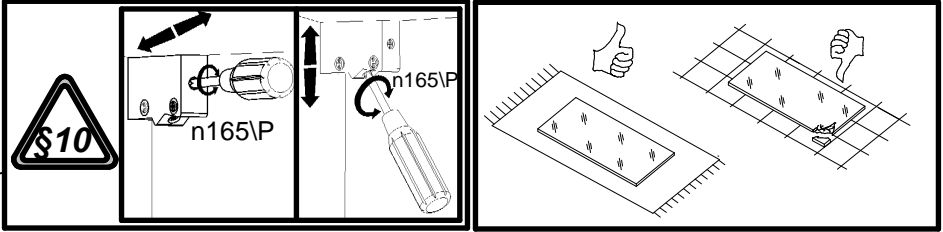
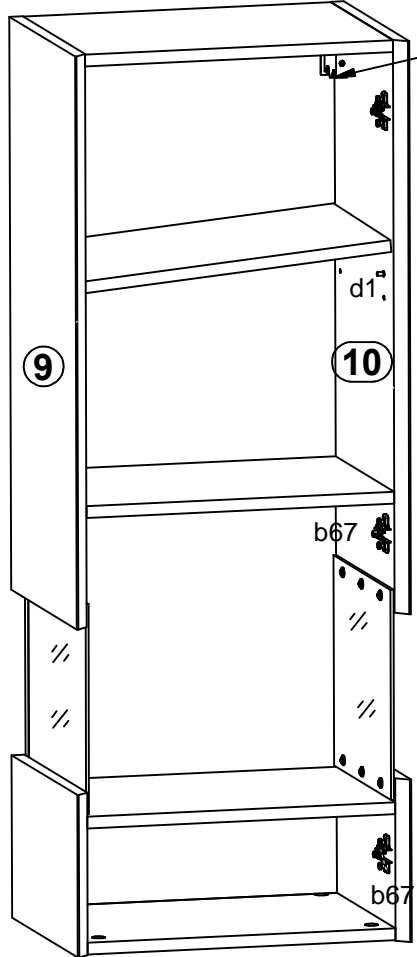
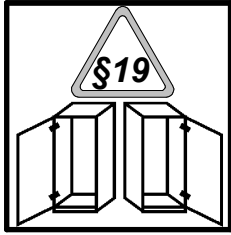
5



6



7



8

