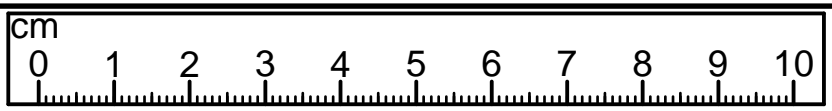
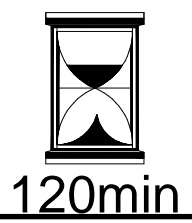
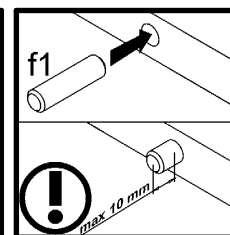
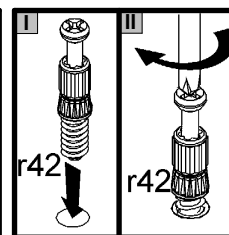
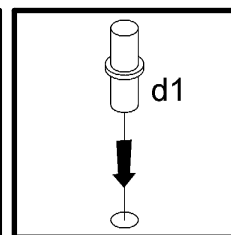
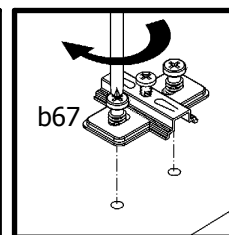
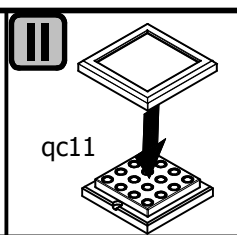
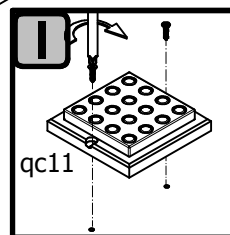
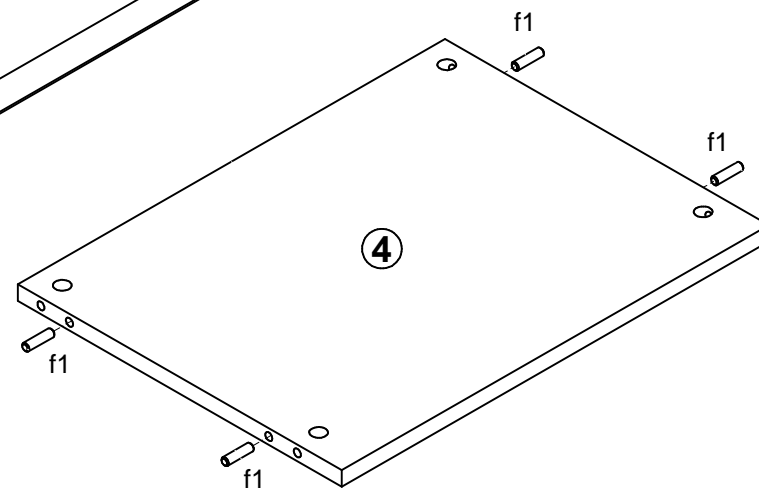
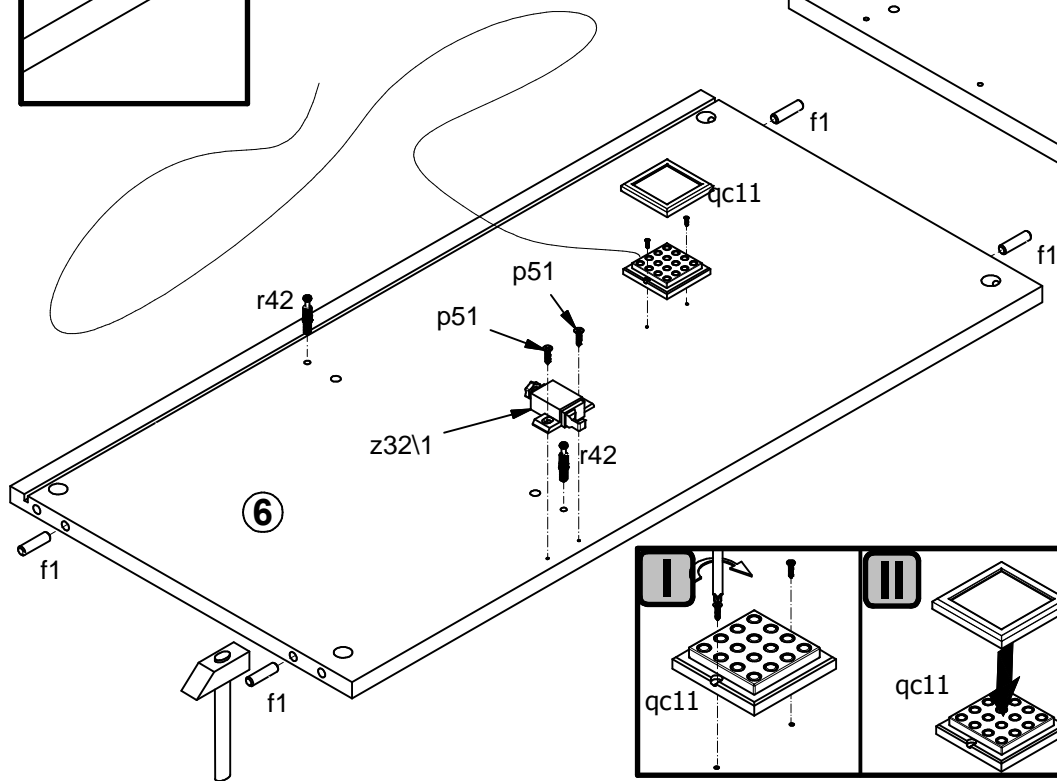
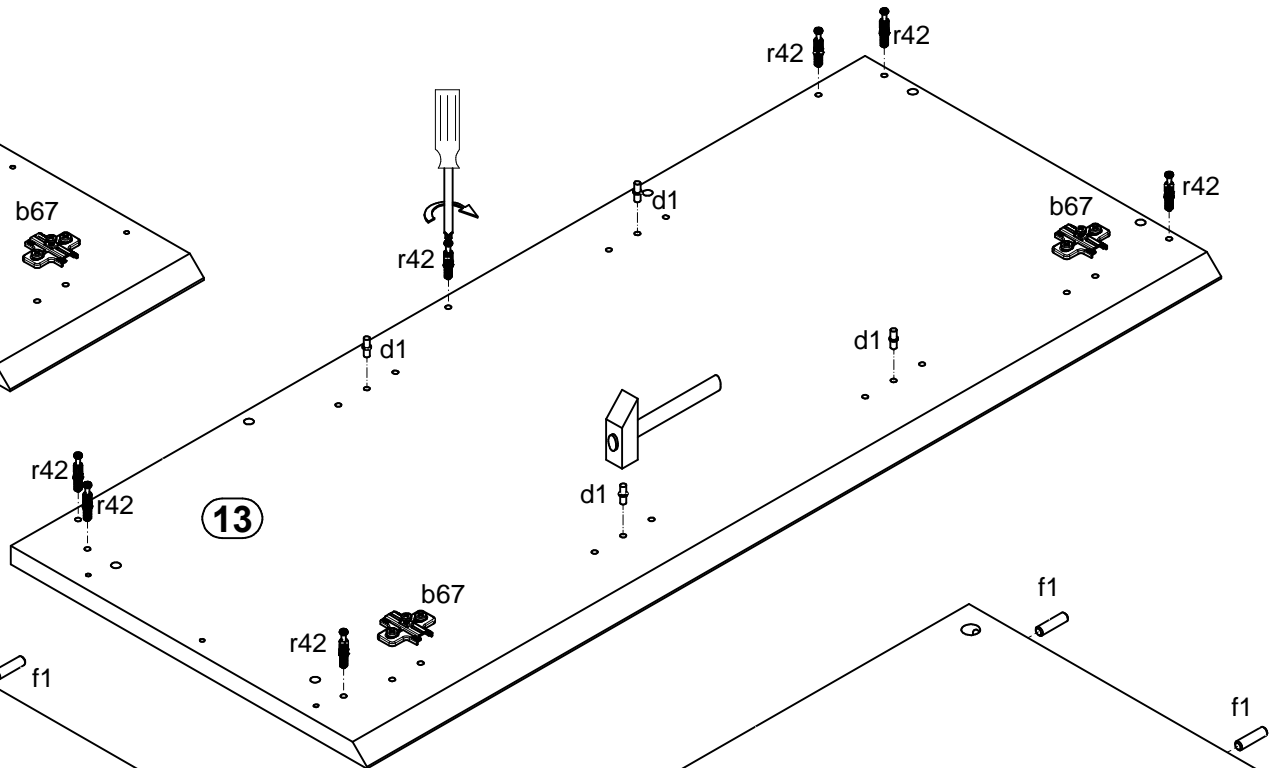
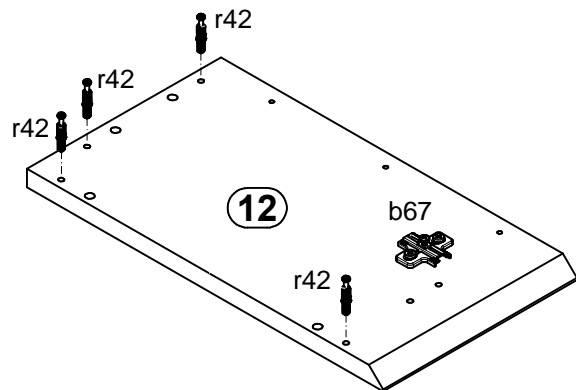
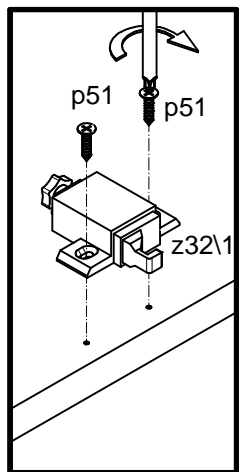


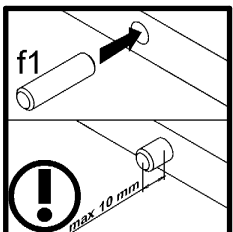
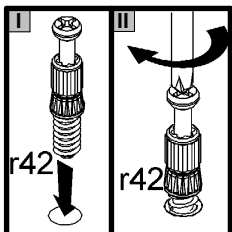
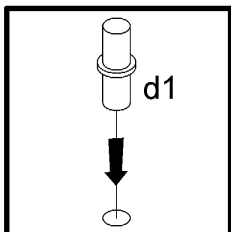
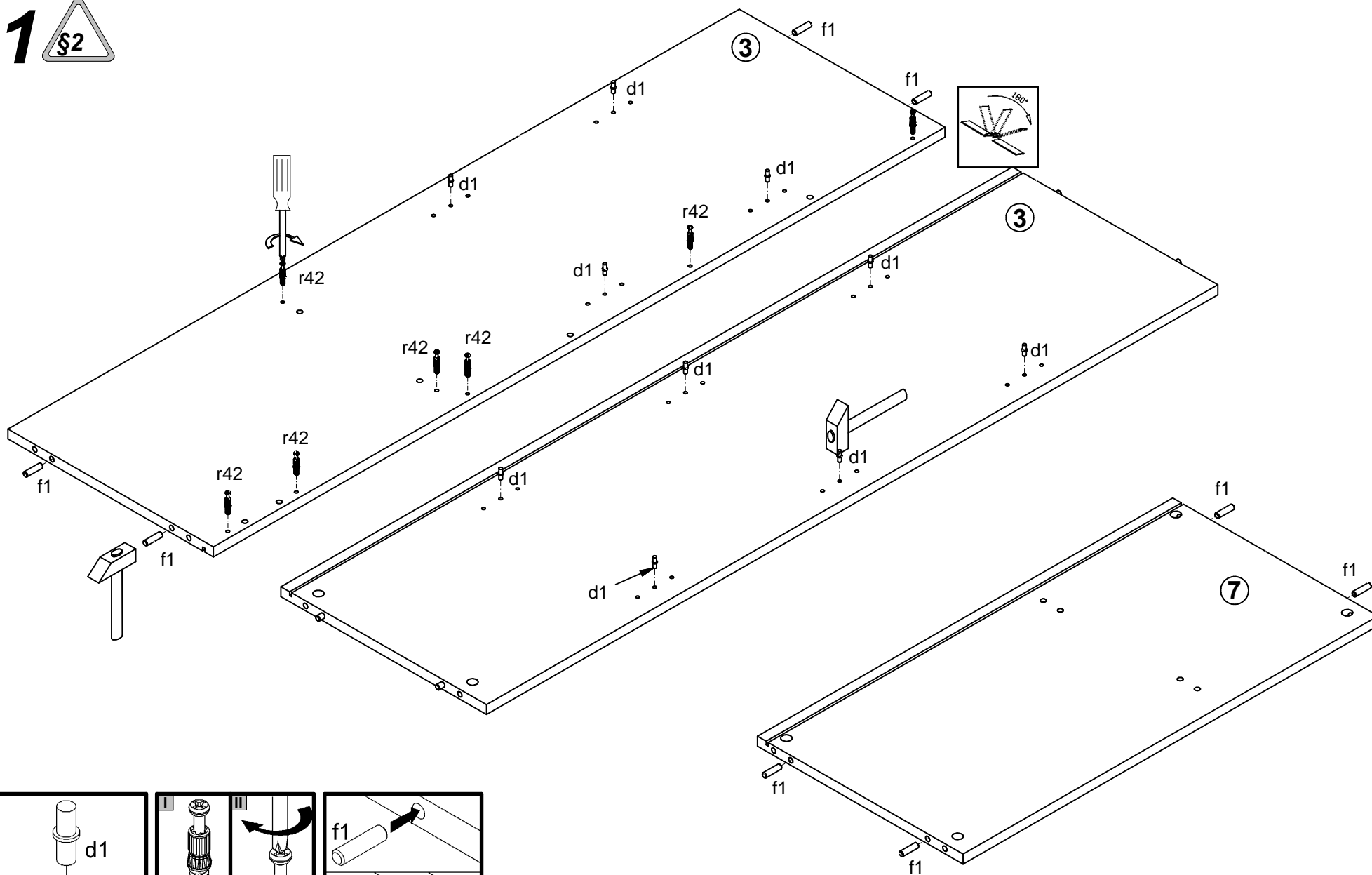
A	B	C (mm)	D
1	S229-013	1396	300
2	S229-120	1400	400
3	S229-121	1367	384
4	S229-307	480	364
5	S229-308	479	354
6	S229-322	776	384
7	S229-323	776	384
8	S229-324	279	354
9	S229-407	1367	480
10	S229-551	282	475
11	S229-552	282	356
12	S229-705	218	400
13	S229-721	960	400
14	S229-722	958	500
15	S229-723	216	500
16	S229-902	1377	290
17	qc11		1/3



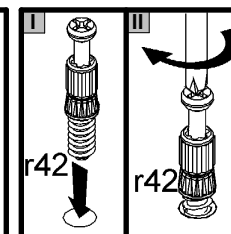
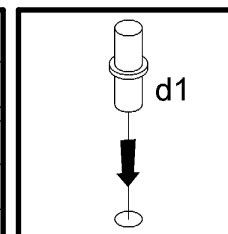
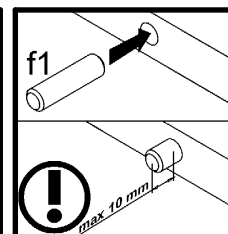
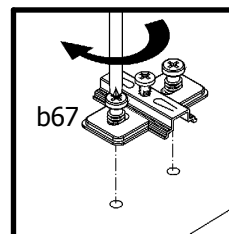
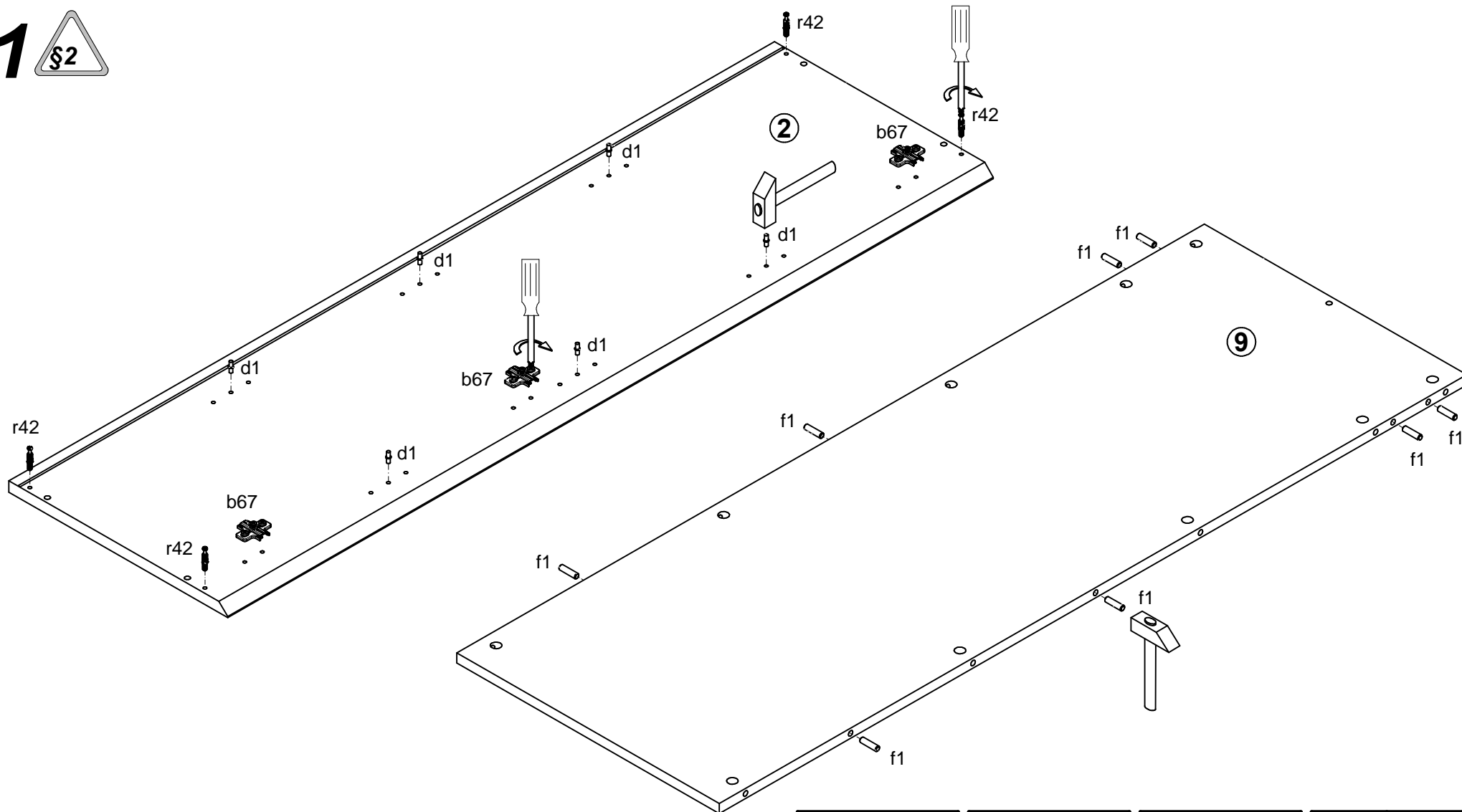
3x a131	3x a137	6x b67	1x 192mm c398	20x Ø5x17 mm d1	2x Ø7x50 mm e1	10x Ø6x13 mm e3	14x Ø5x16 mm e47	24x Ø8x30 mm f1	2x 80x17x17mm f54	2x M4x22 mm j30	5x k8211	5x k8212
14x l2	2x silikon o21	14x Ø5,3/Ø8,3x4,8 mm o54	14x Ø3,5x15 mm p51	24x Ø15x12 mm #16 r1	24x 20/11 r42	14x Ø16 s2	1x z3211	1x z3212	1x z1	1x n2611	1x Ø3,5x16 mm p38	



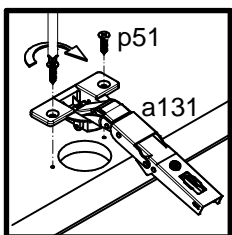
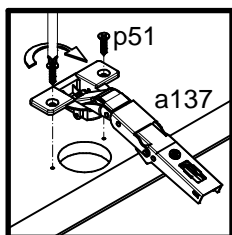
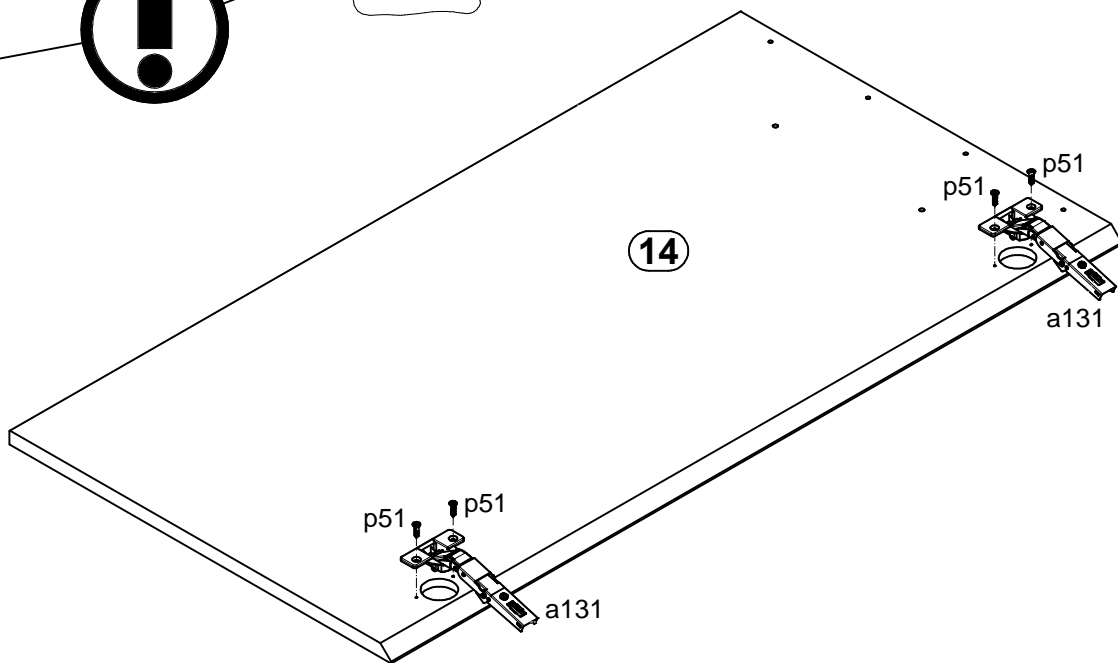
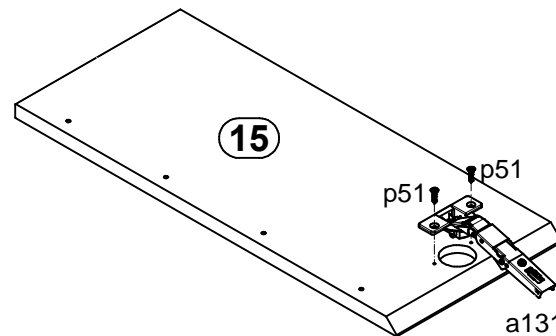
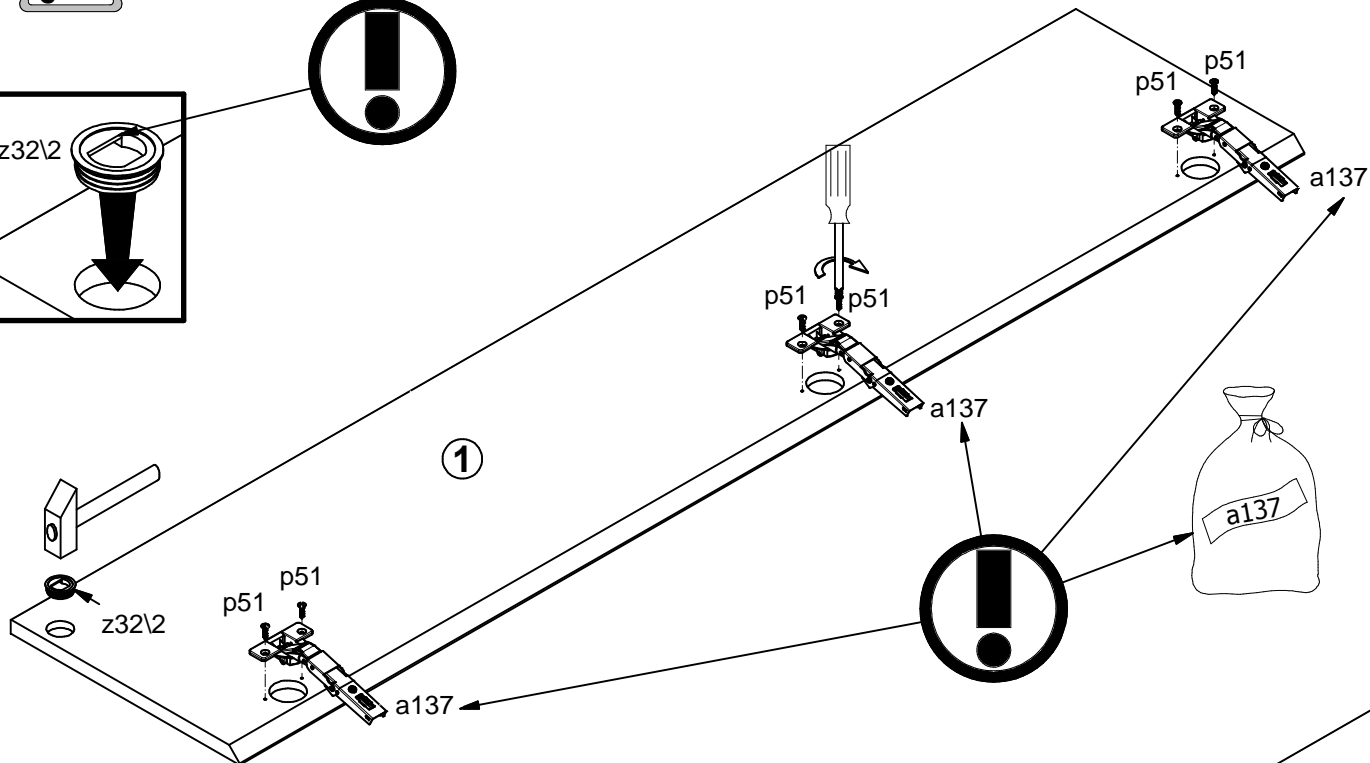
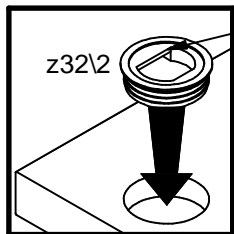
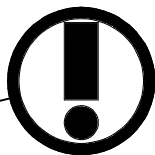
1 

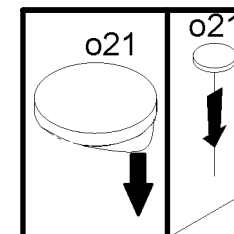
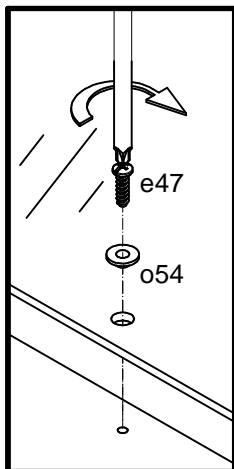
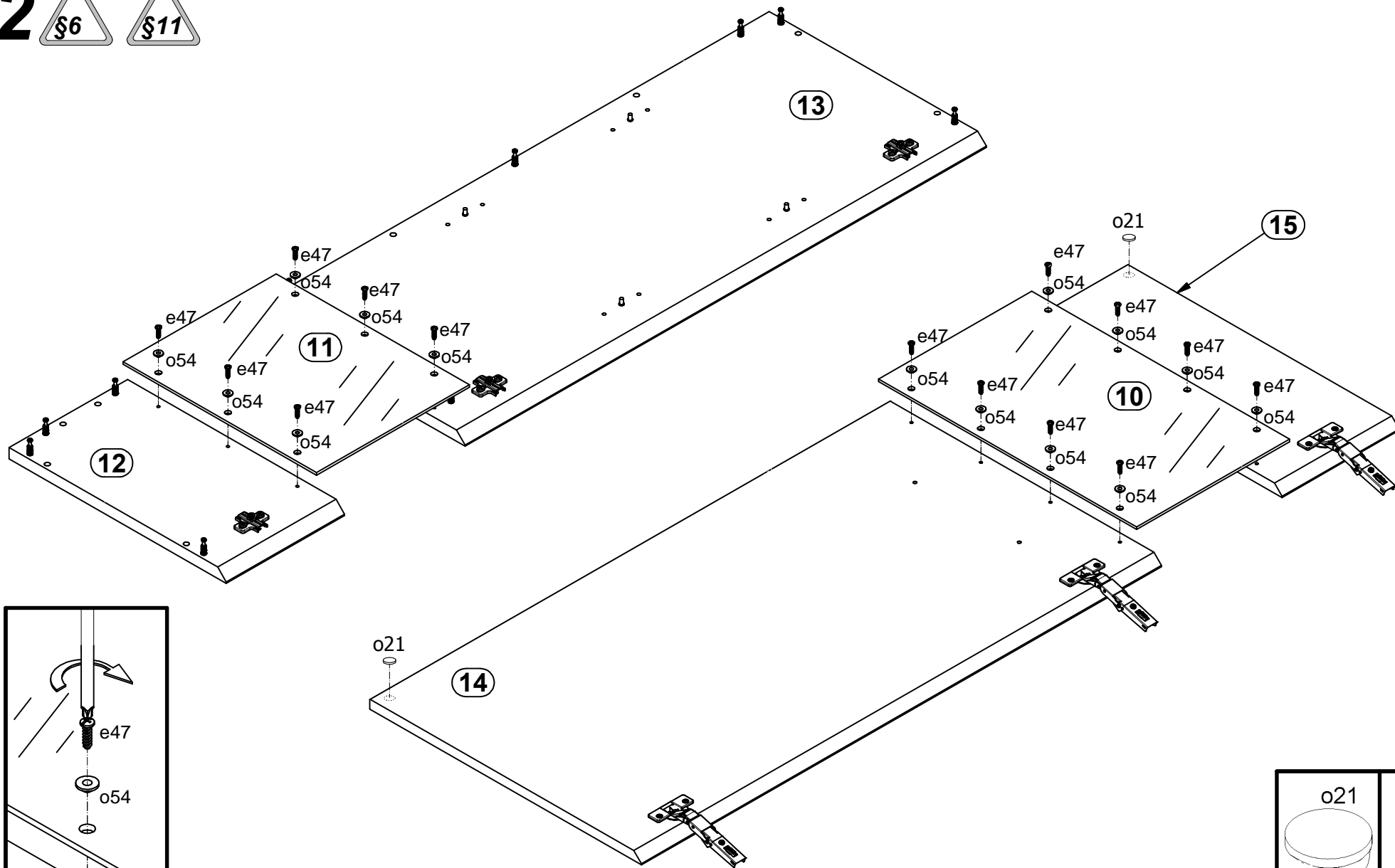


1  S2



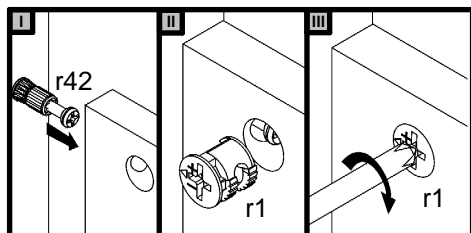
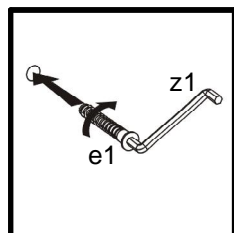
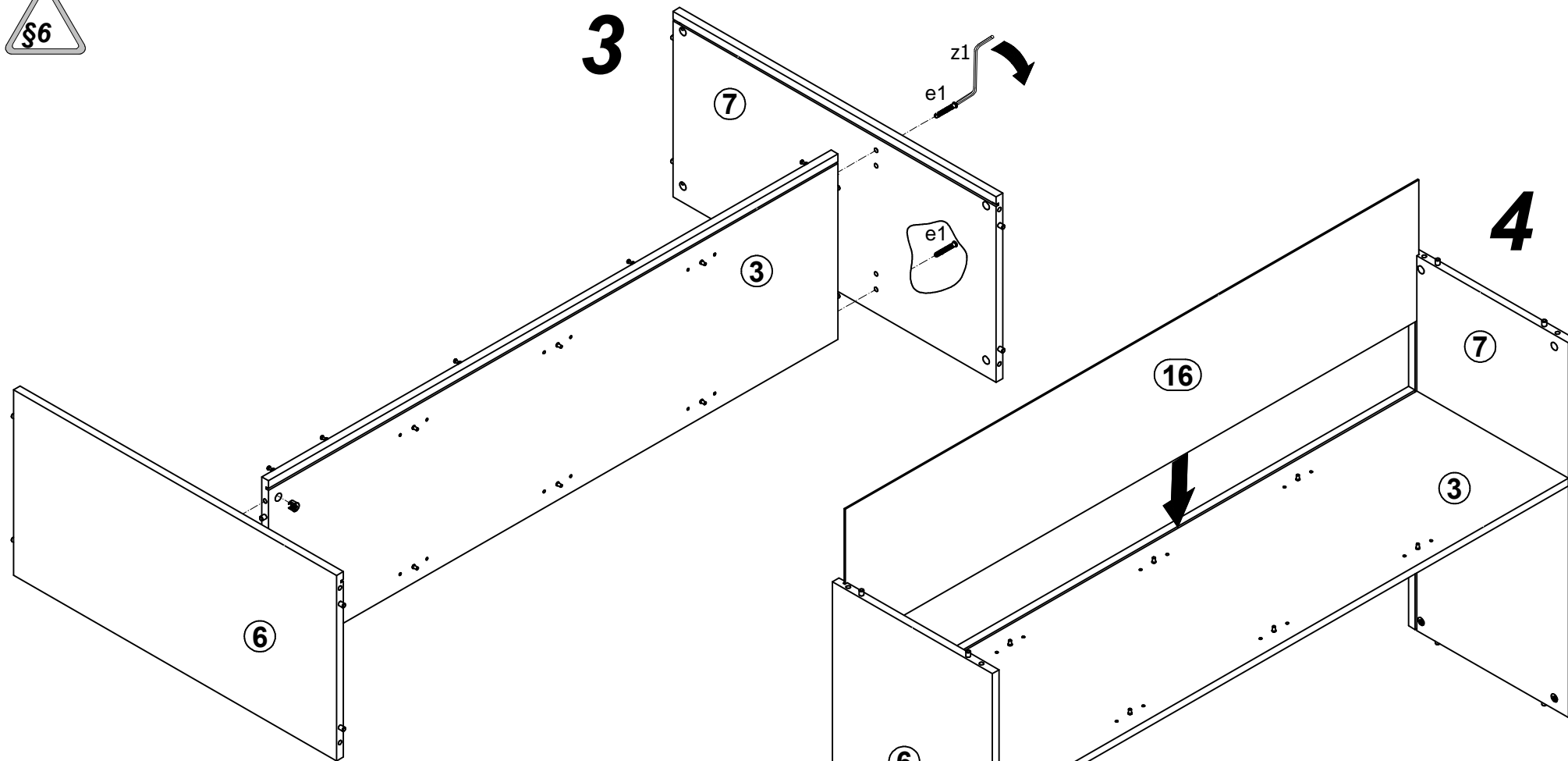
1



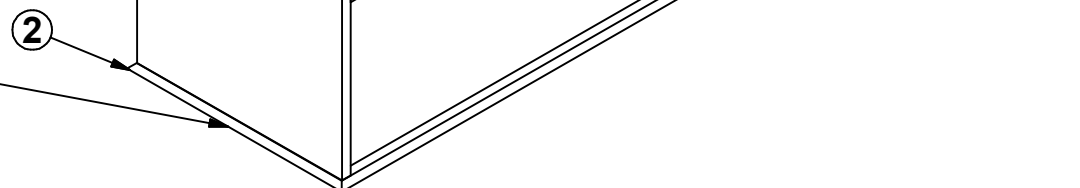
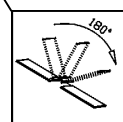
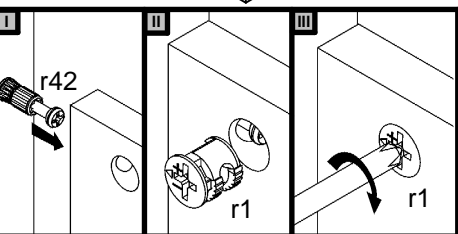
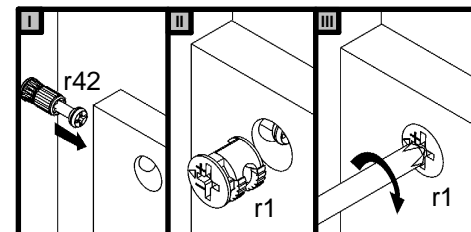
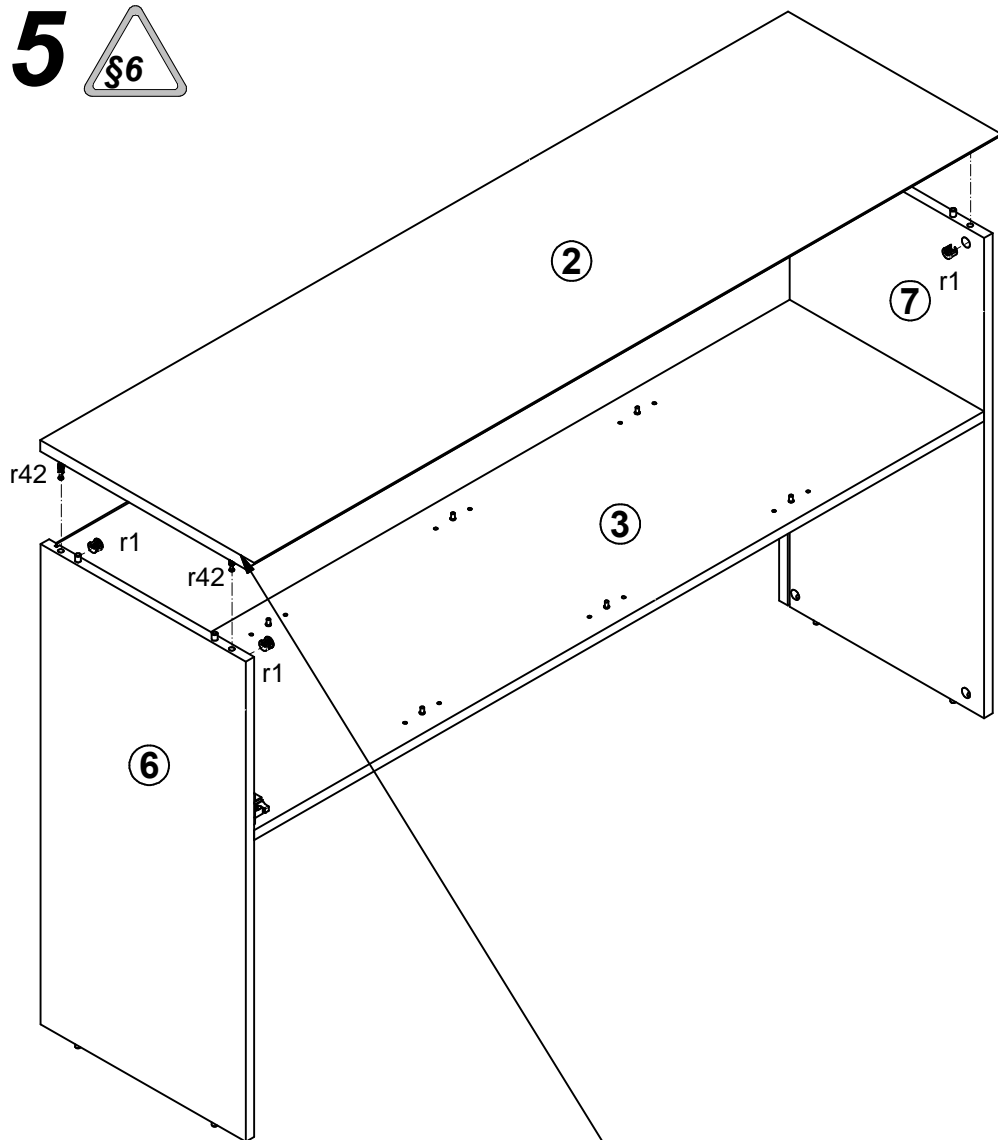




3



5 

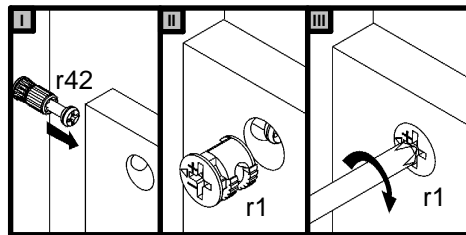
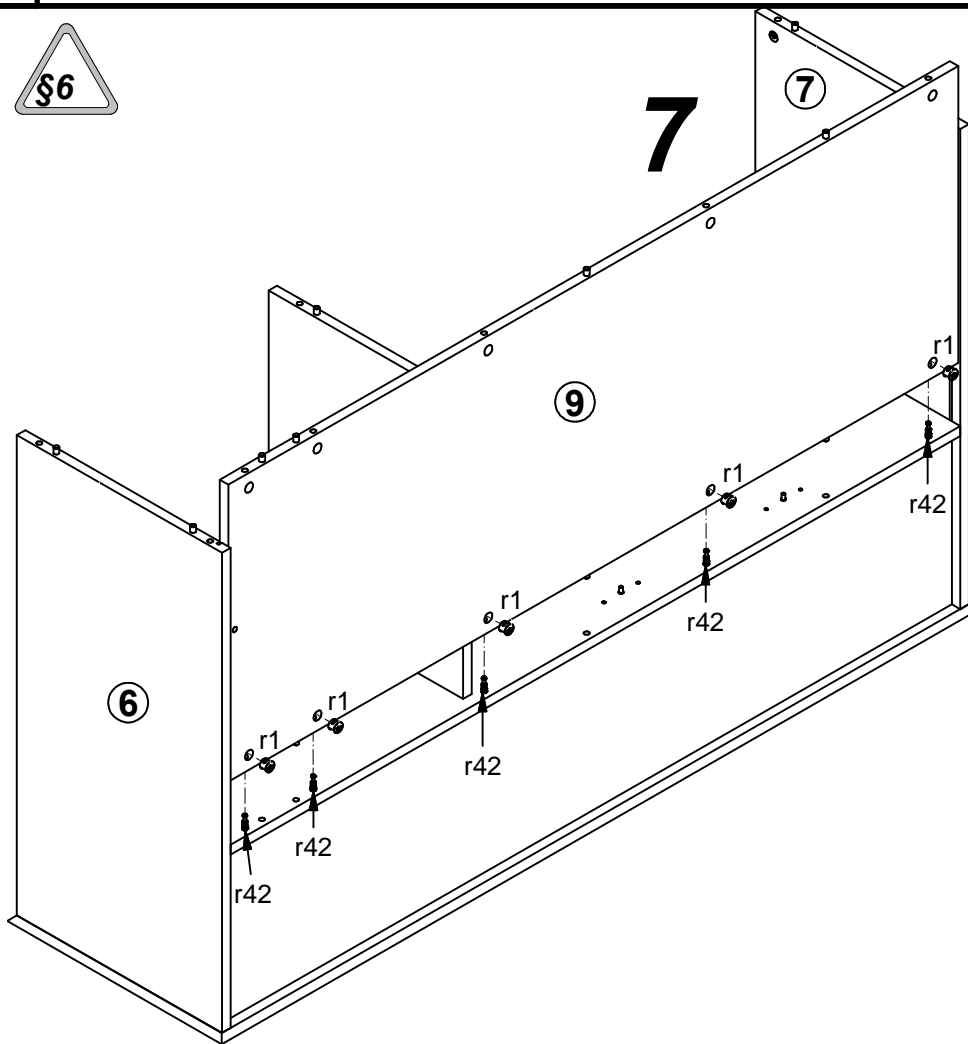




7

7

9

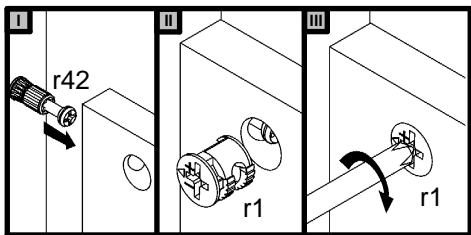
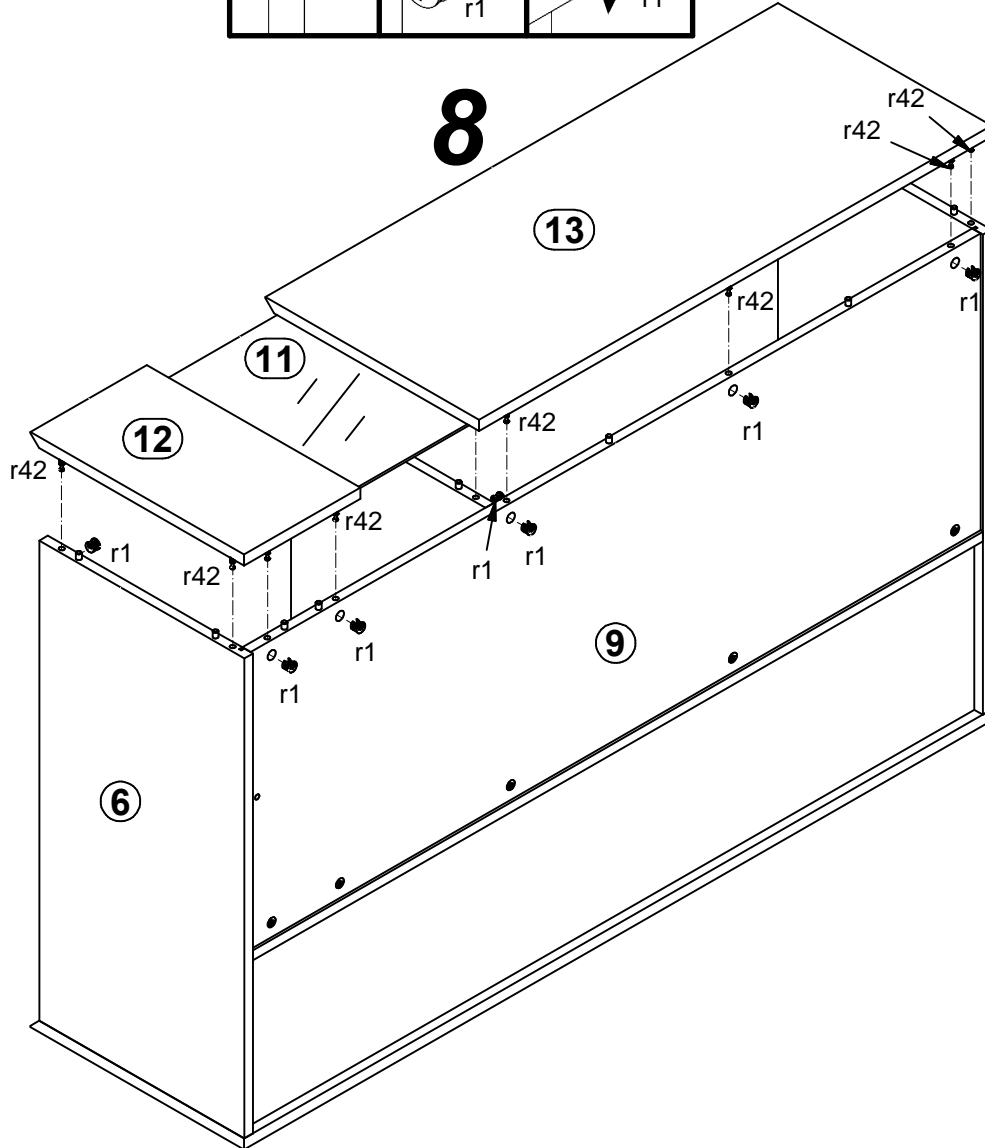


8

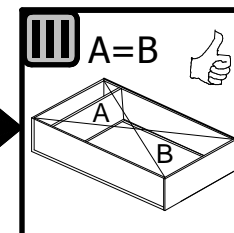
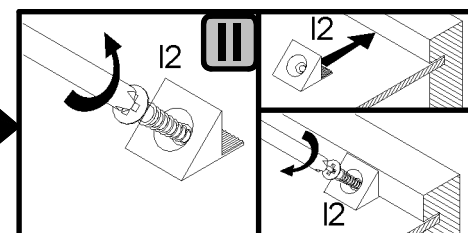
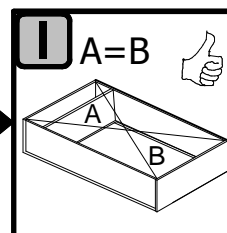
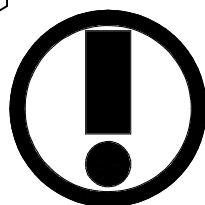
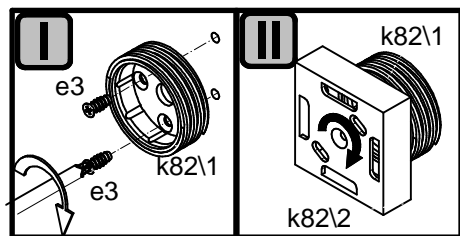
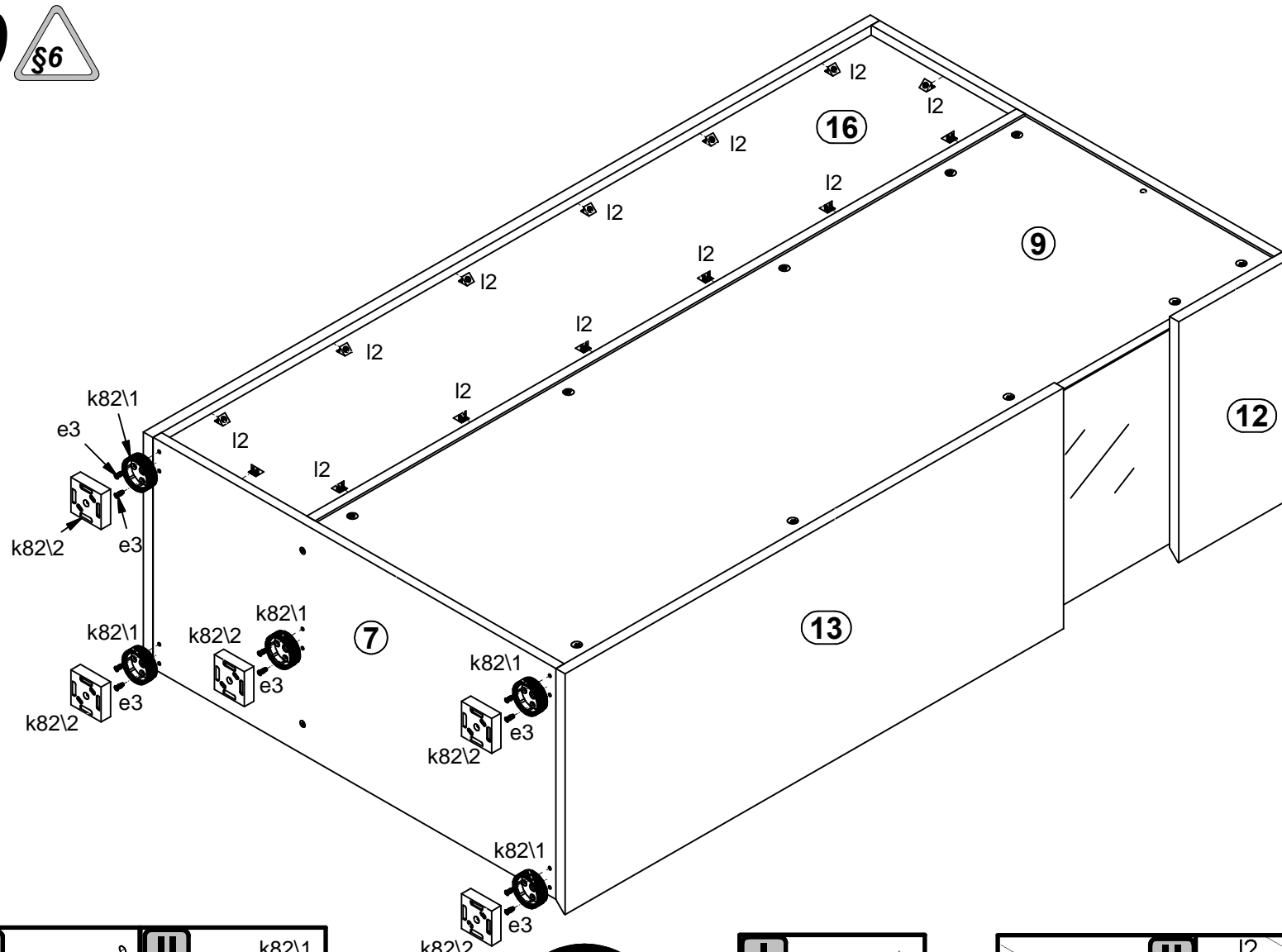
13

11

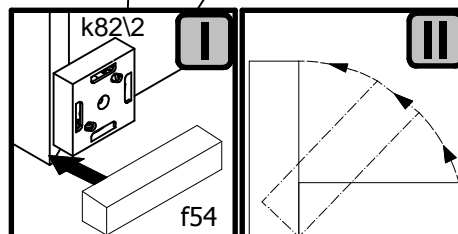
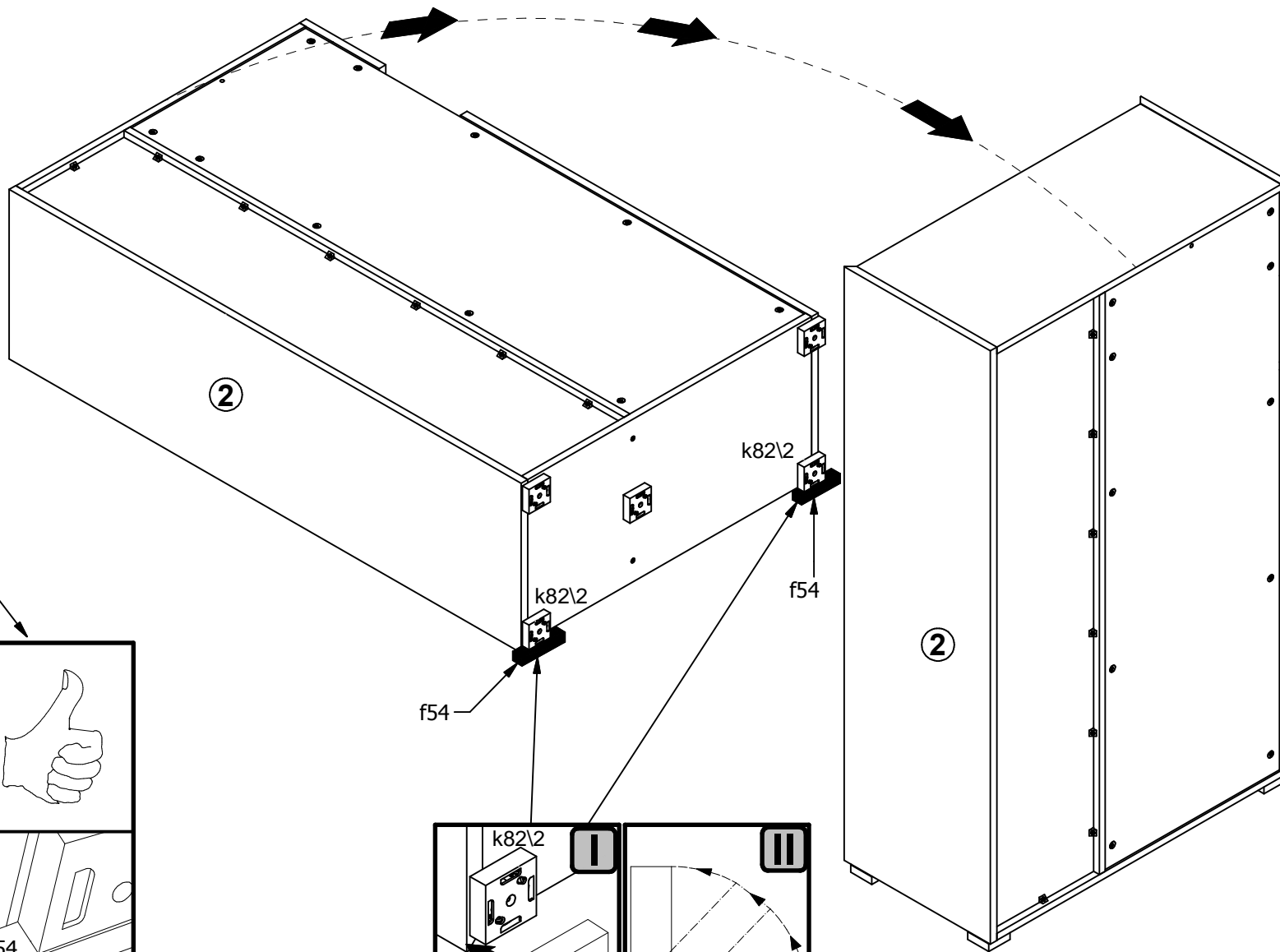
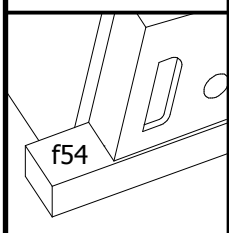
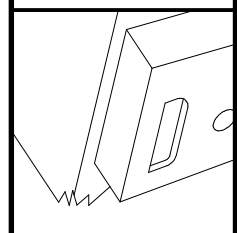
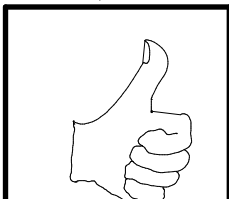
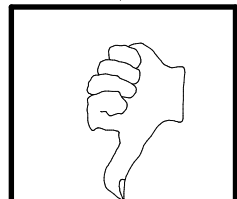
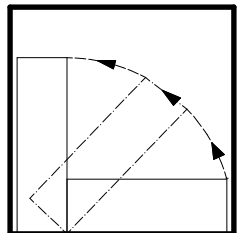
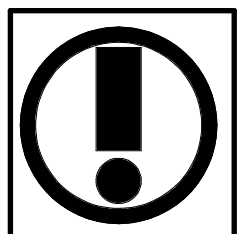
12



9 



10



10

