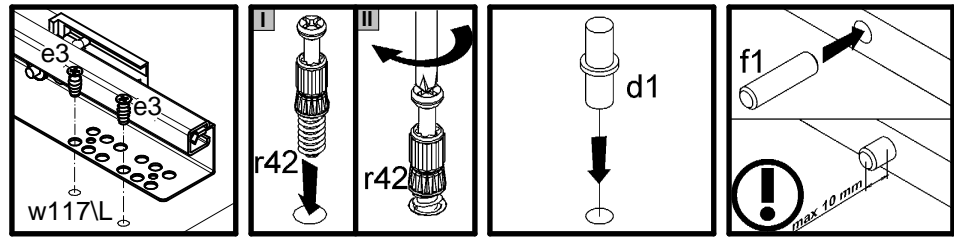
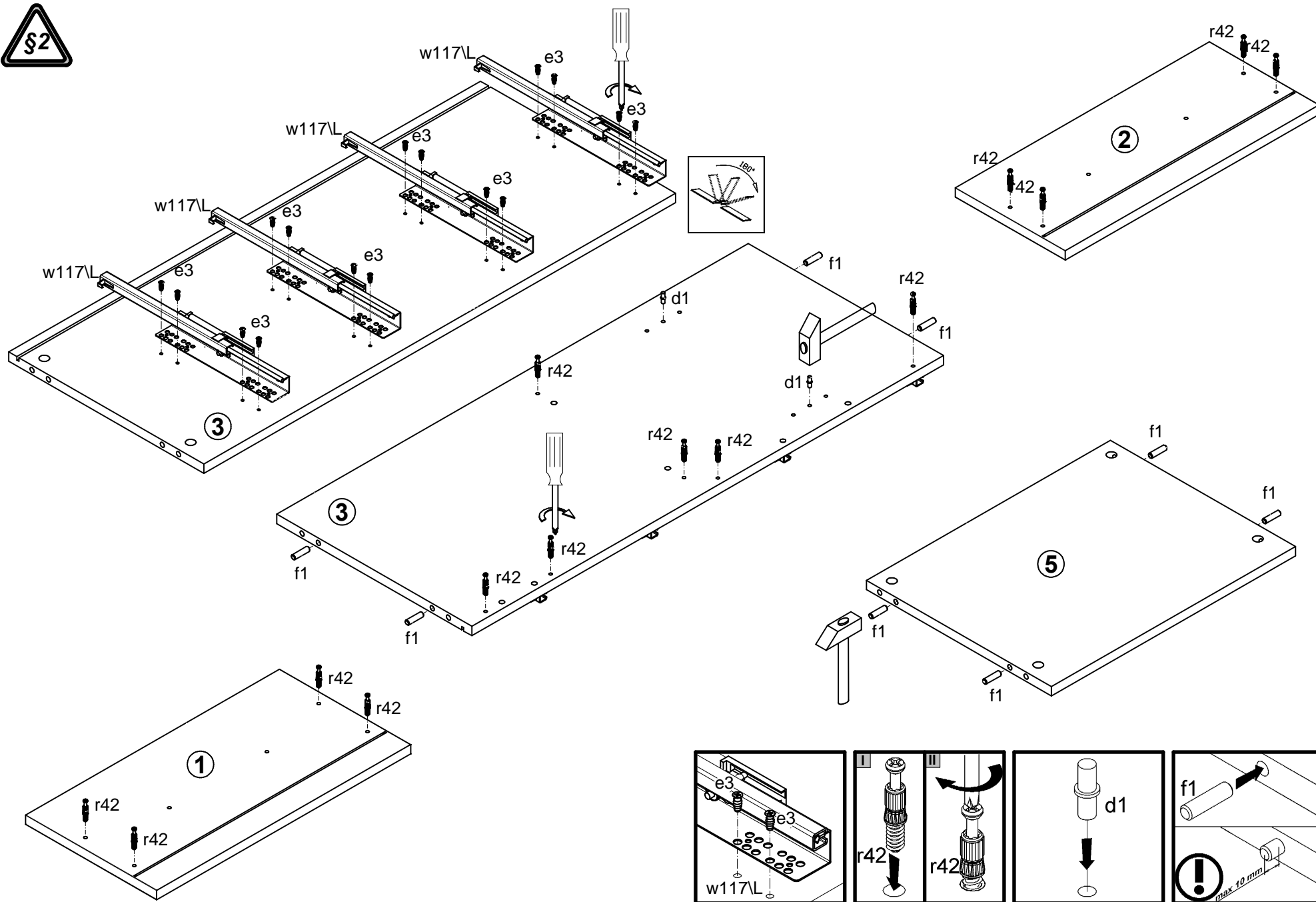


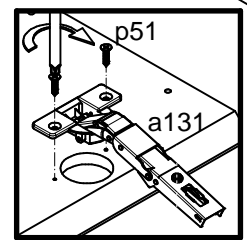
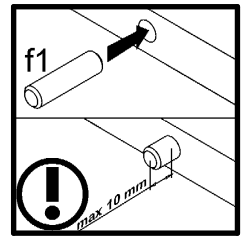
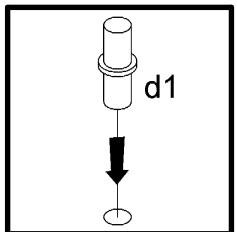
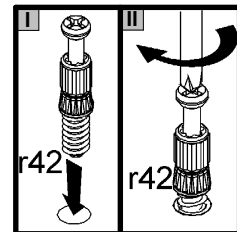
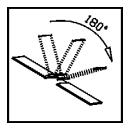
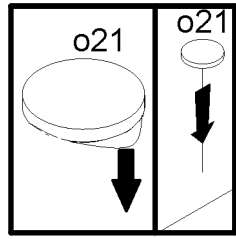
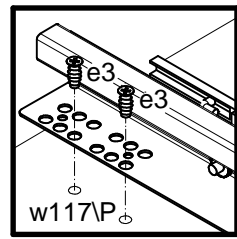
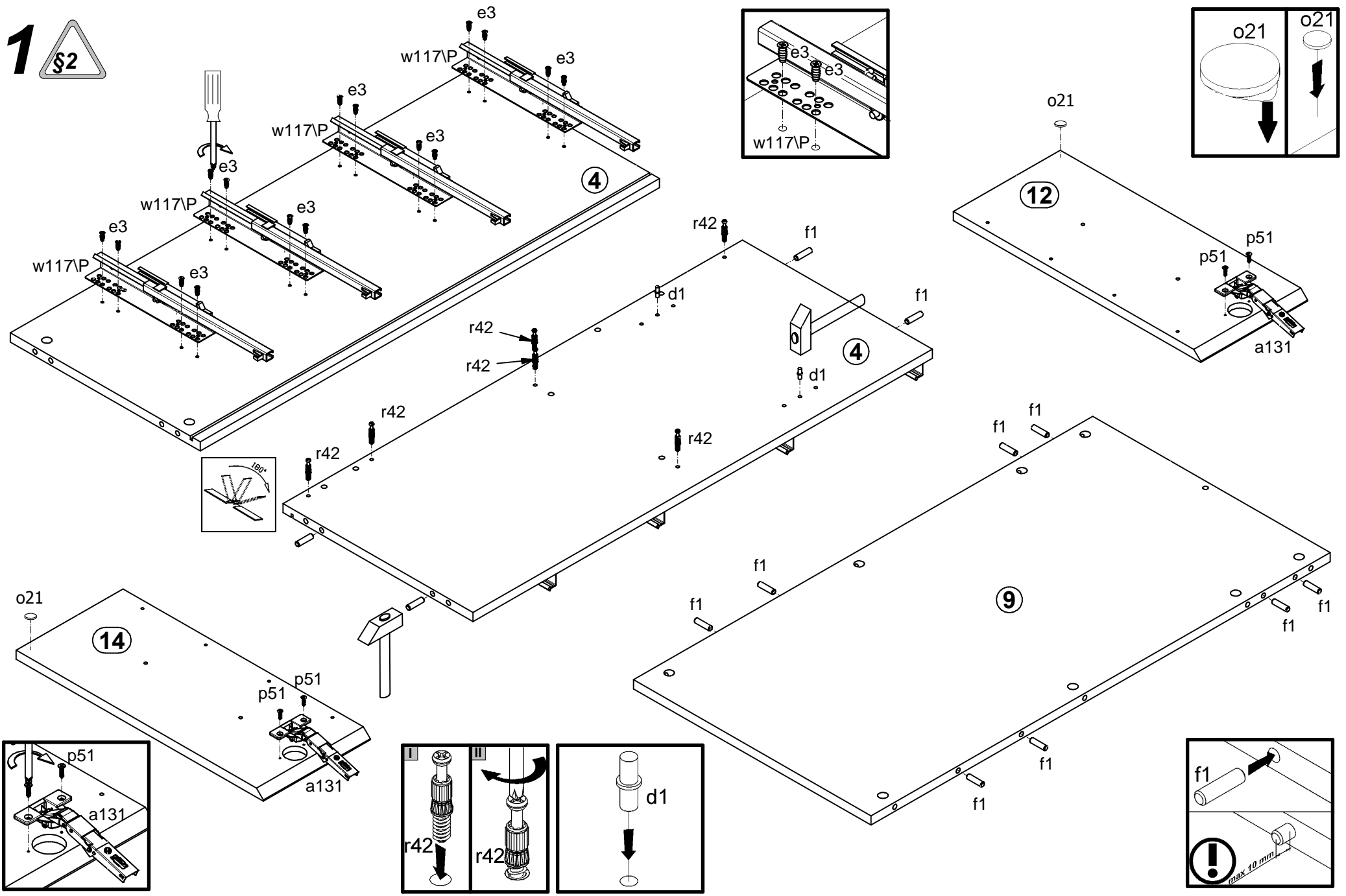
A	B	C (mm)		D
1	S229-010	258	500	3/3
2	S229-011	216	500	3/3
3	S229-116	928	384	2/3
4	S229-117	928	384	2/3
5	S229-307	480	364	2/3
6	S229-308	479	354	2/3
7	S229-316	1479	384	2/3
8	S229-317	1479	384	2/3
9	S229-404	928	480	1/3
10	S229-551	282	475	1/3
11	S229-552	282	356	1/3
12	S229-701	216	500	3/3
13	S229-702	519	500	3/3
14	S229-703	216	500	3/3
15	S229-704	519	500	3/3
16	S229-705	218	400	1/3
17	S229-706	218	400	1/3
18	S229-707	521	400	1/3
19	S229-708	521	400	1/3
20	S229-9907	938	497	2/3
21	WSP-963	457	358	1/3
22	WSQ5-505	350	160	1/3
23	WSQ5-506	350	160	1/3
24	WTQ-5063	447	147	1/3
25	WSQ4-506	350	140	1/3
26	WSQ4-505	350	140	1/3
27	WTQ-5069	447	127	1/3
28	qc11\2			1/3



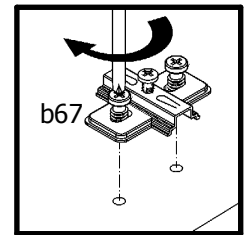
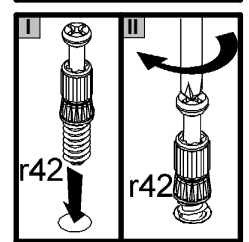
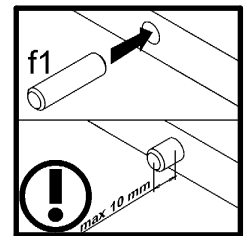
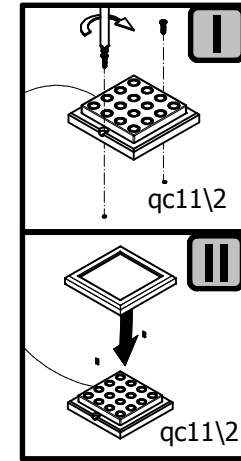
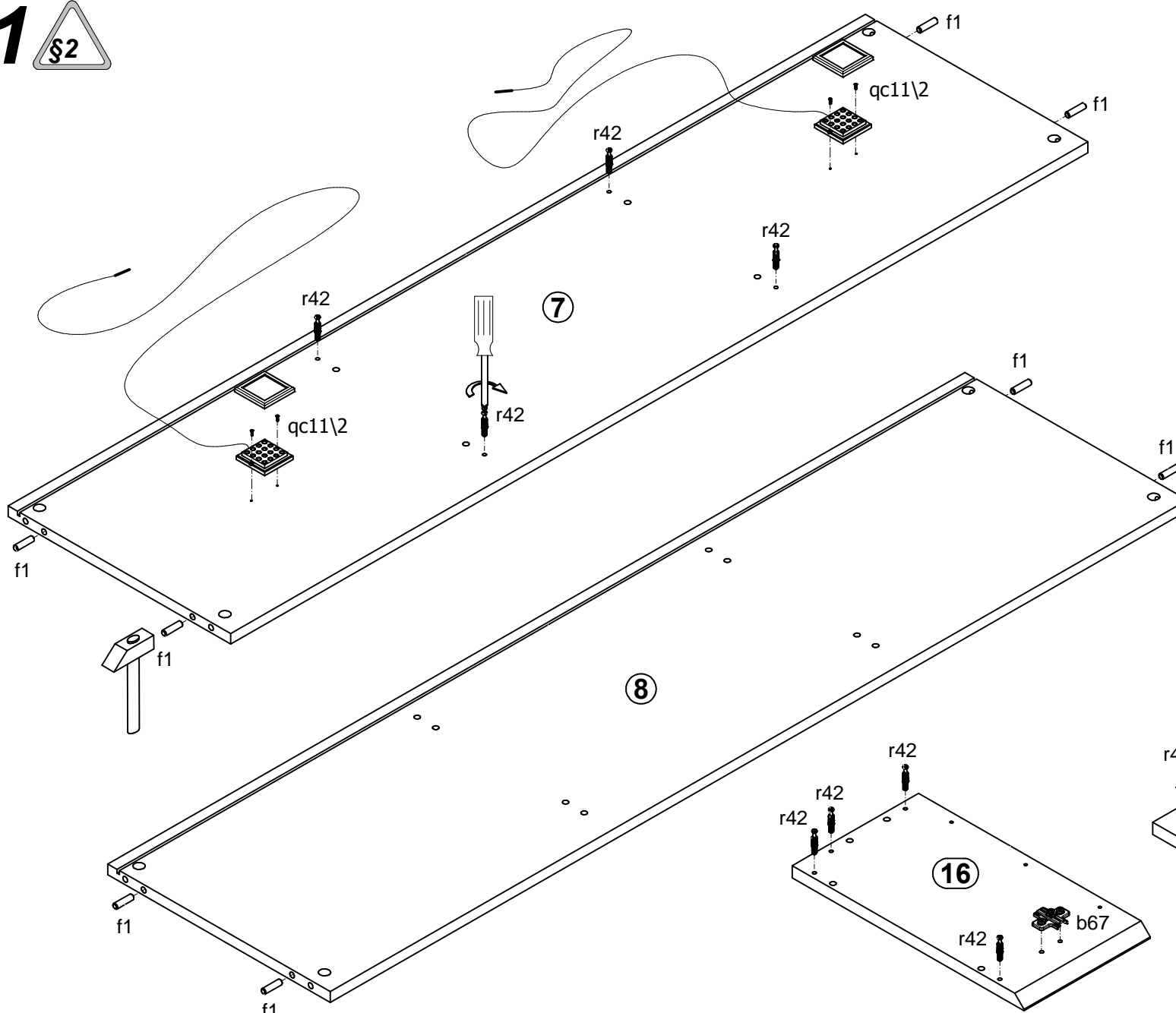
6x a131	6x b67	6x c398	8x d1	4x e1	44x e3	28x e47	40x f1	16x f25	2x f54	12x j30	6x k821	6x k822
12x l2	4x o21	28x o54	4x p25	4x p35	16x p38	12x p51	36x r1	16x r15	52x r42	10x s2	4x t35	4x 350 mm W117L
4x 350 mm W117P	1x z1	1x n2611	1x p38									



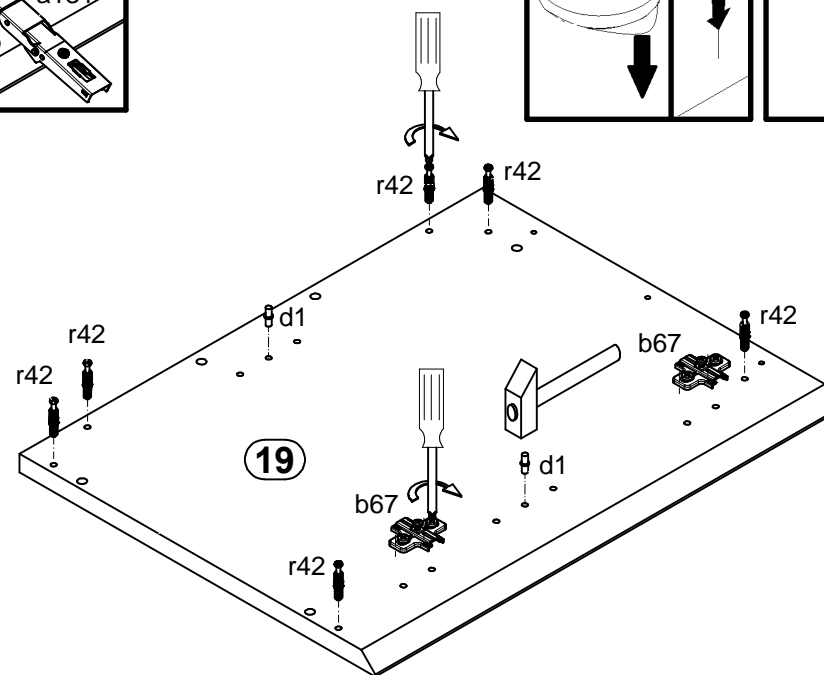
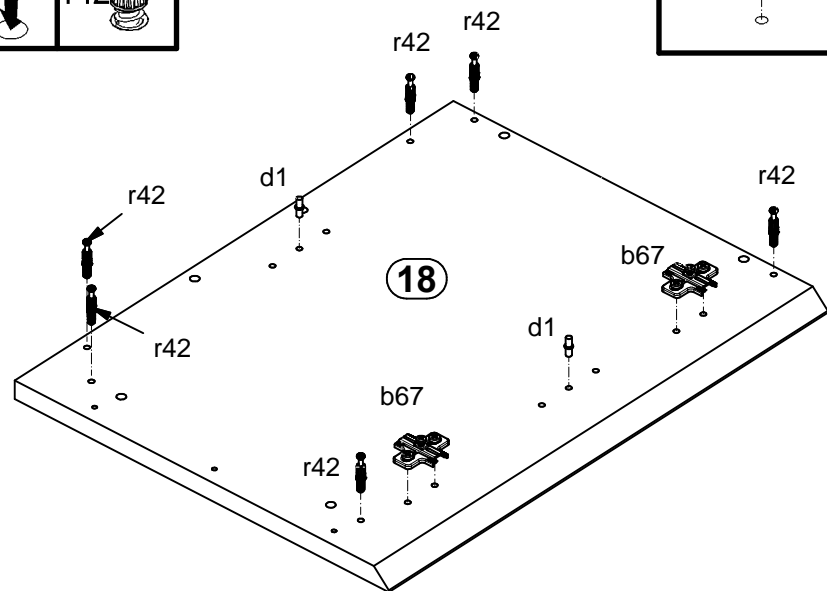
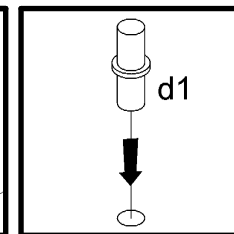
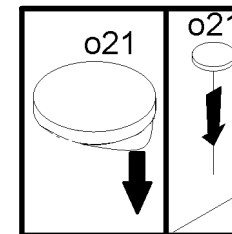
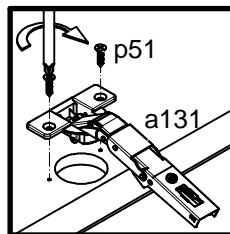
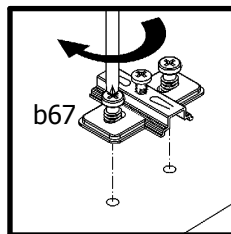
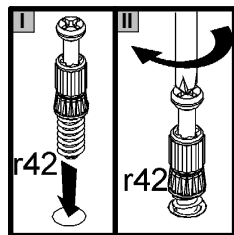
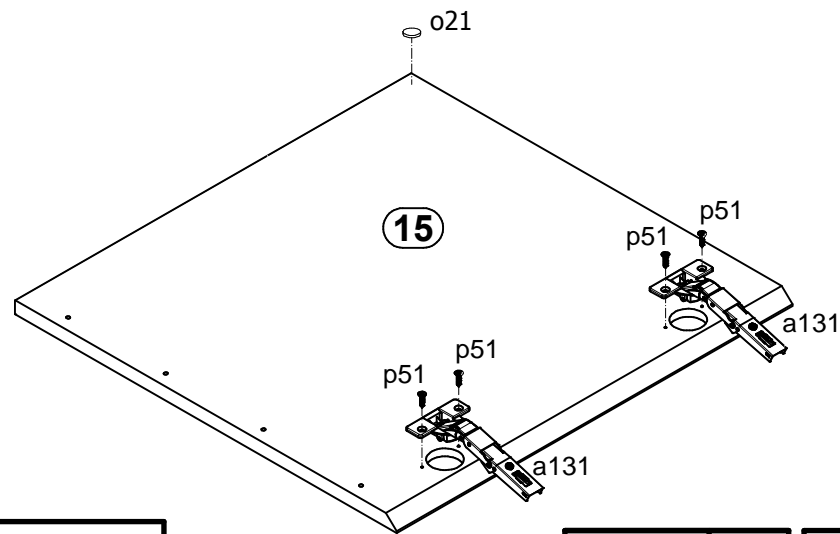
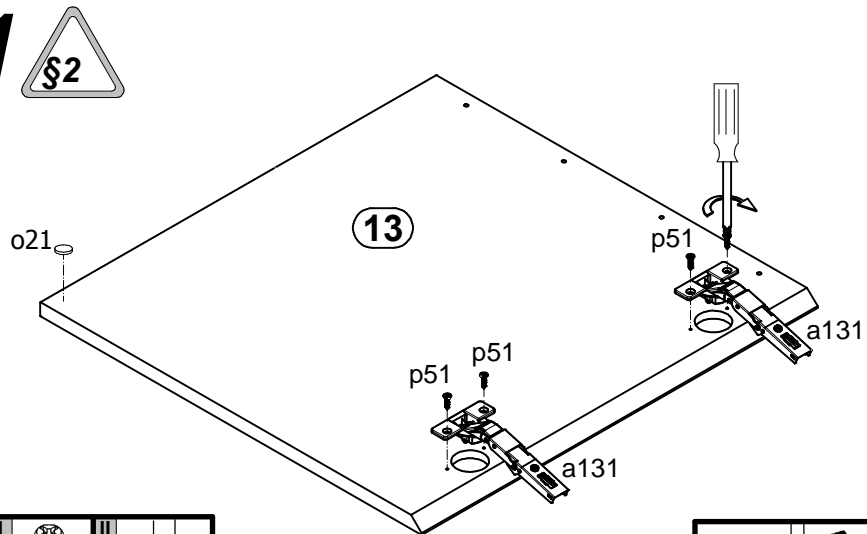
1 §2

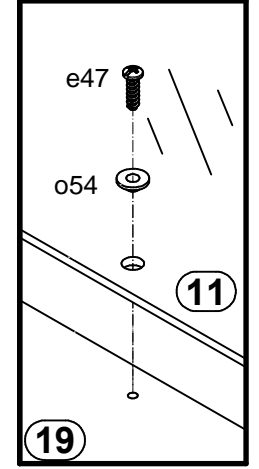
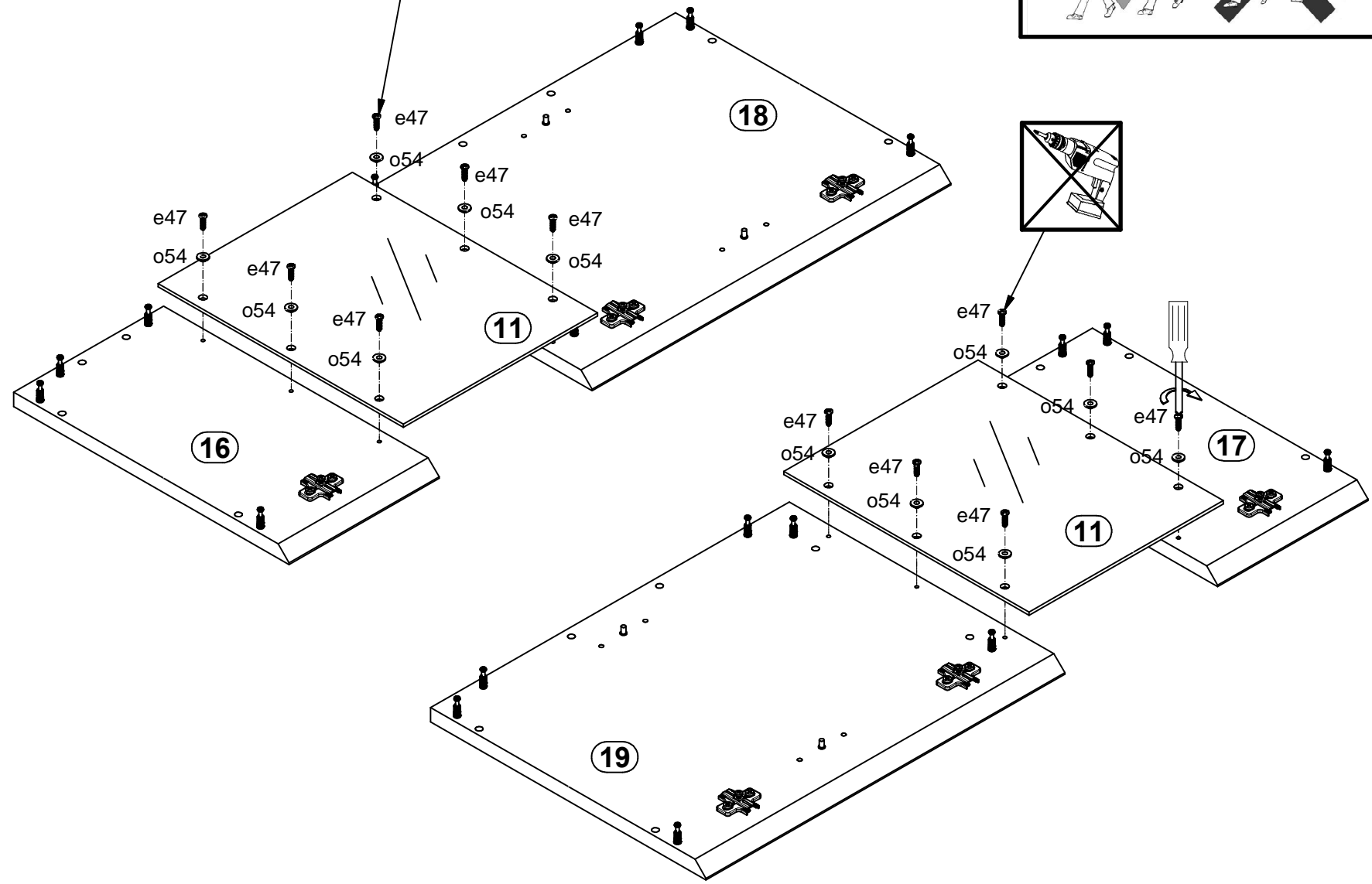
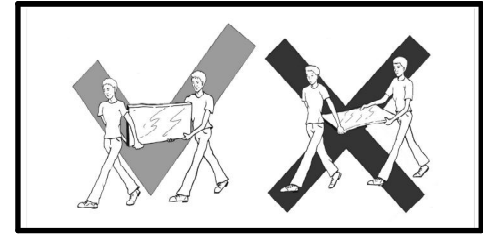
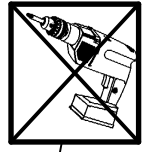


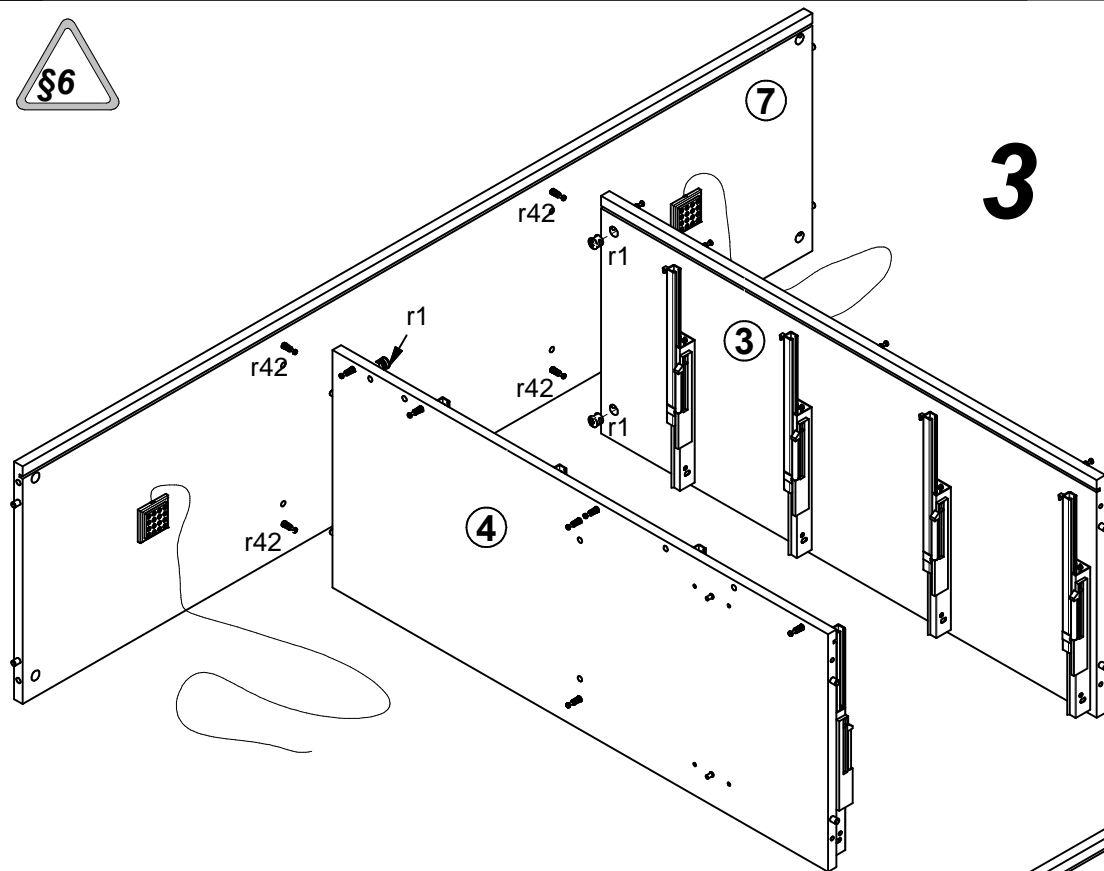
1 §2



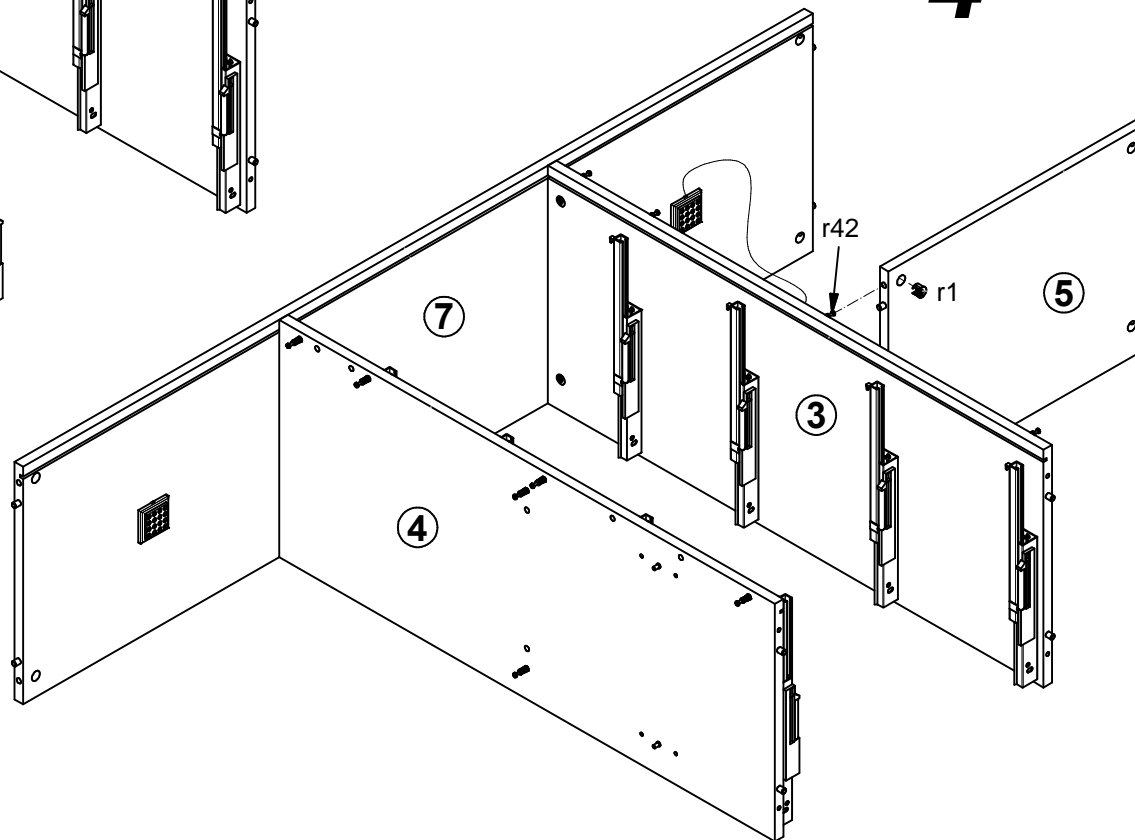
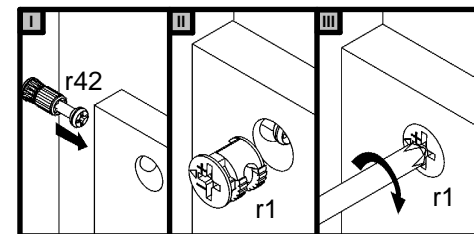
1 §2







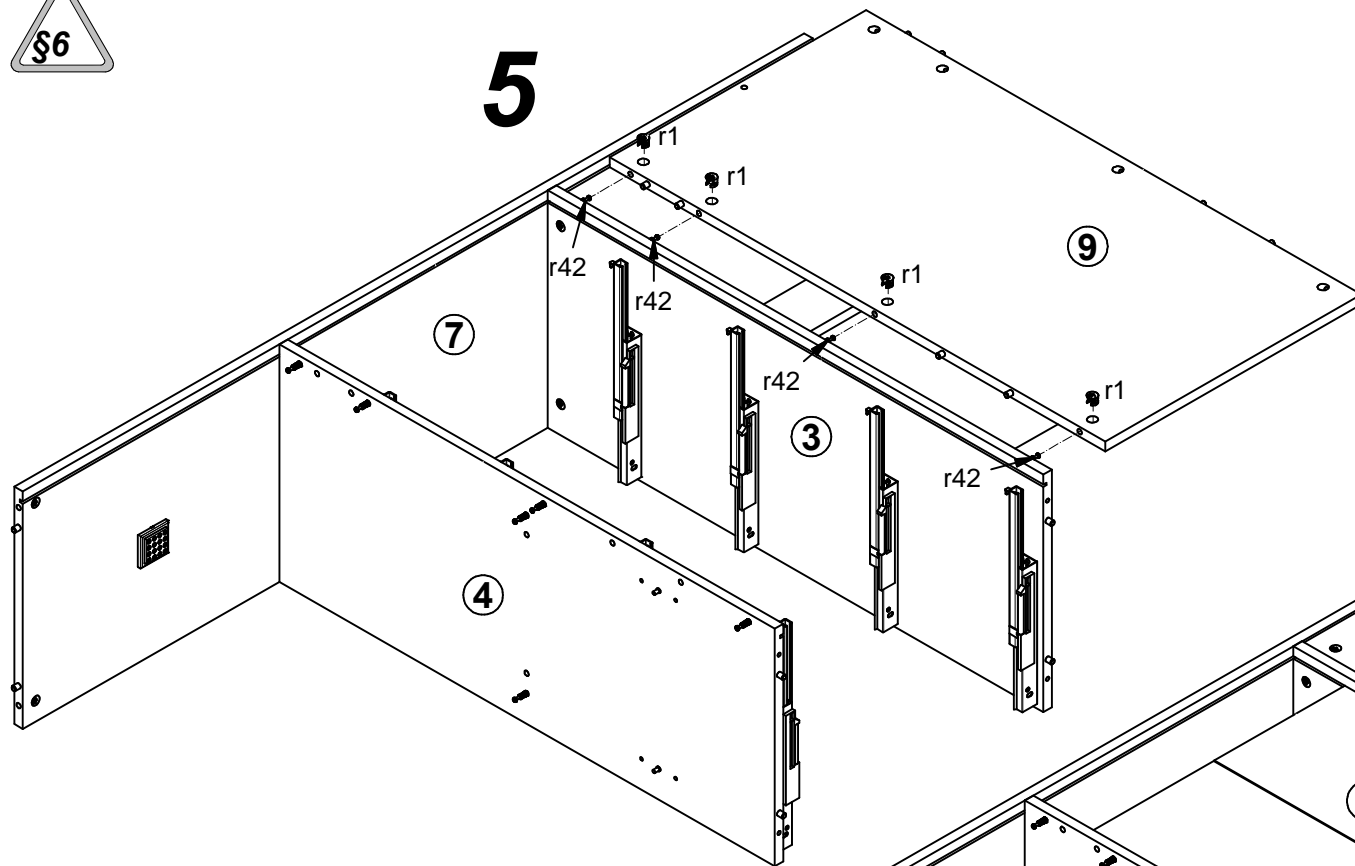
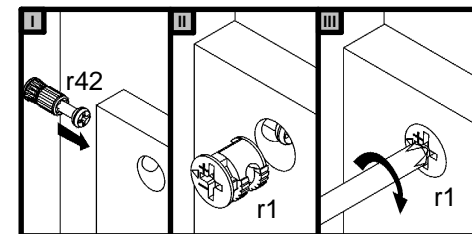
3



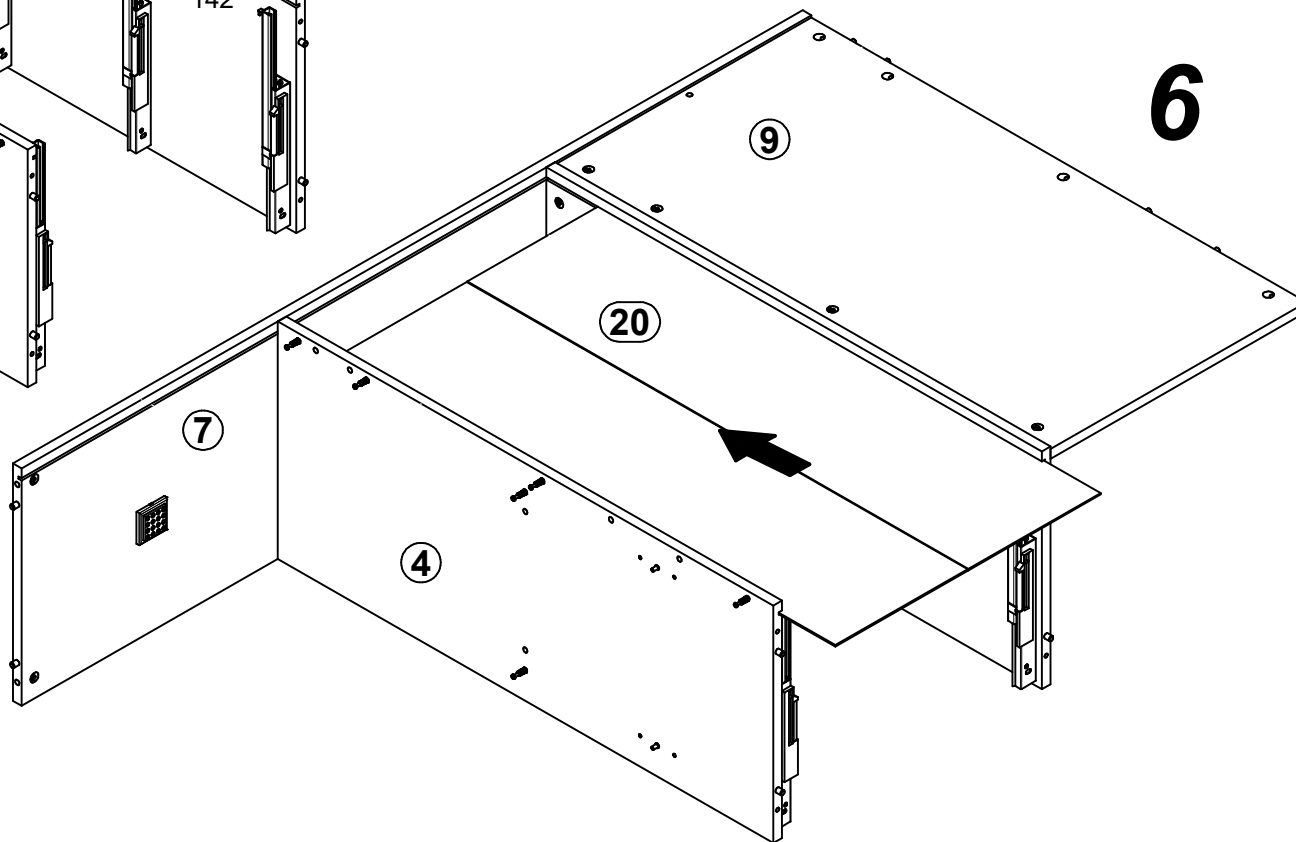
4

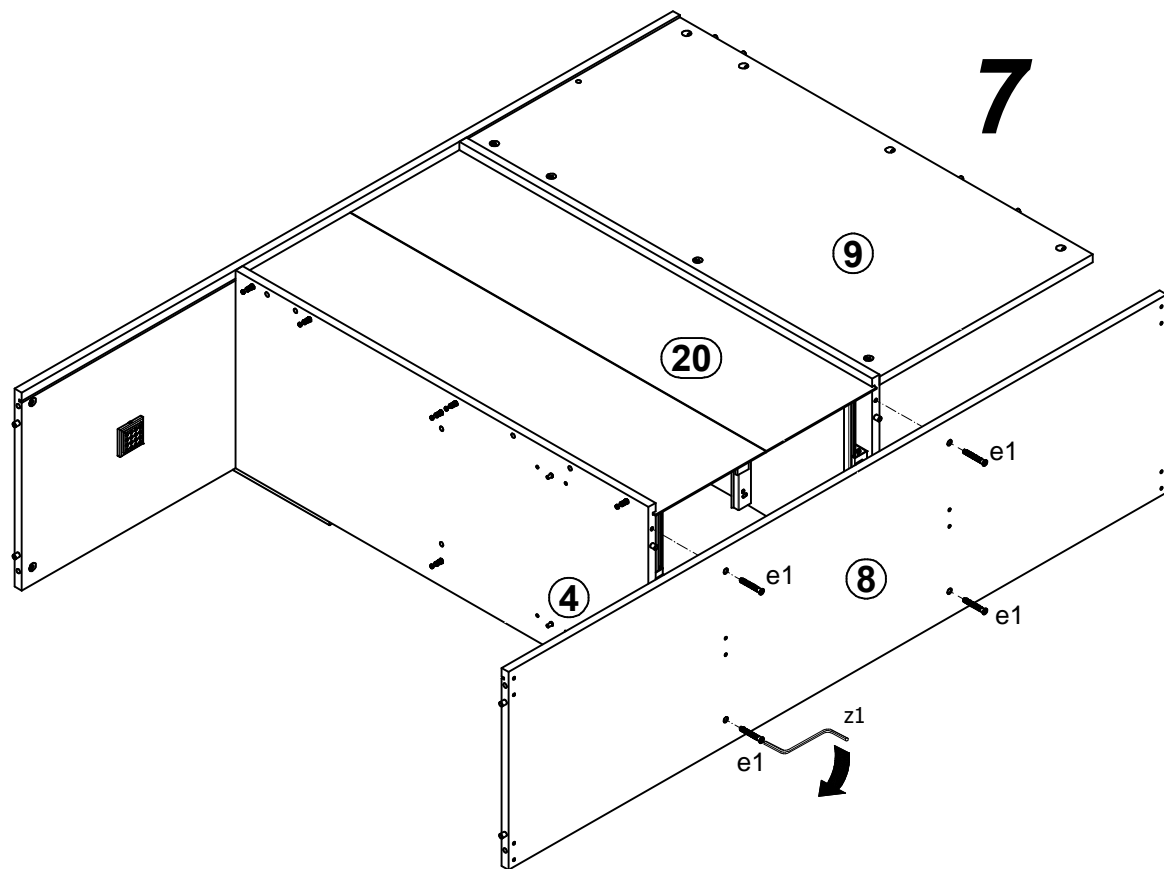


5

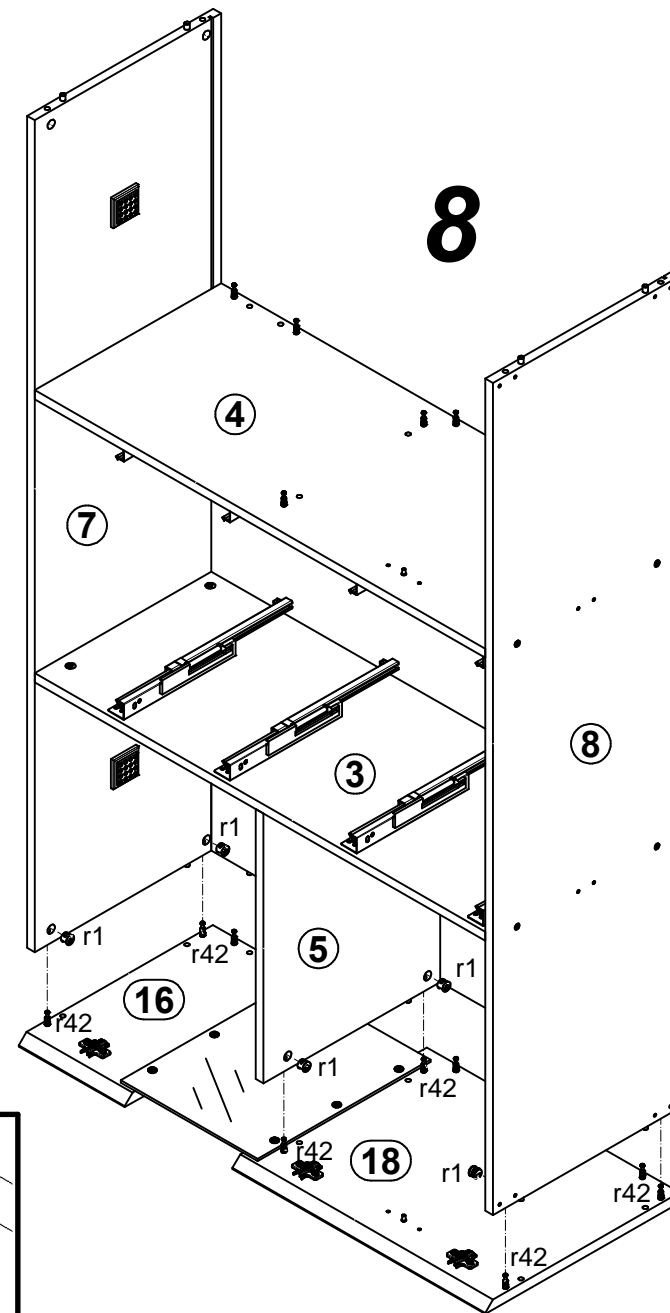


6

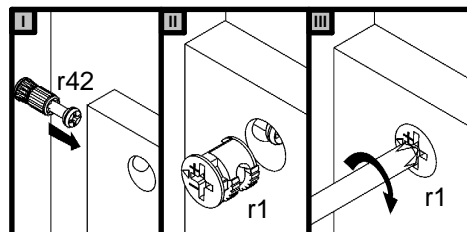
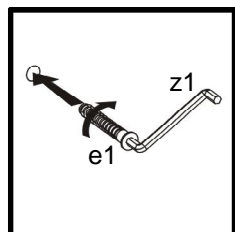




7

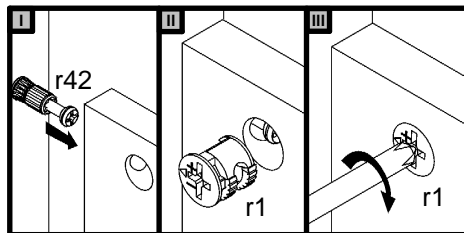
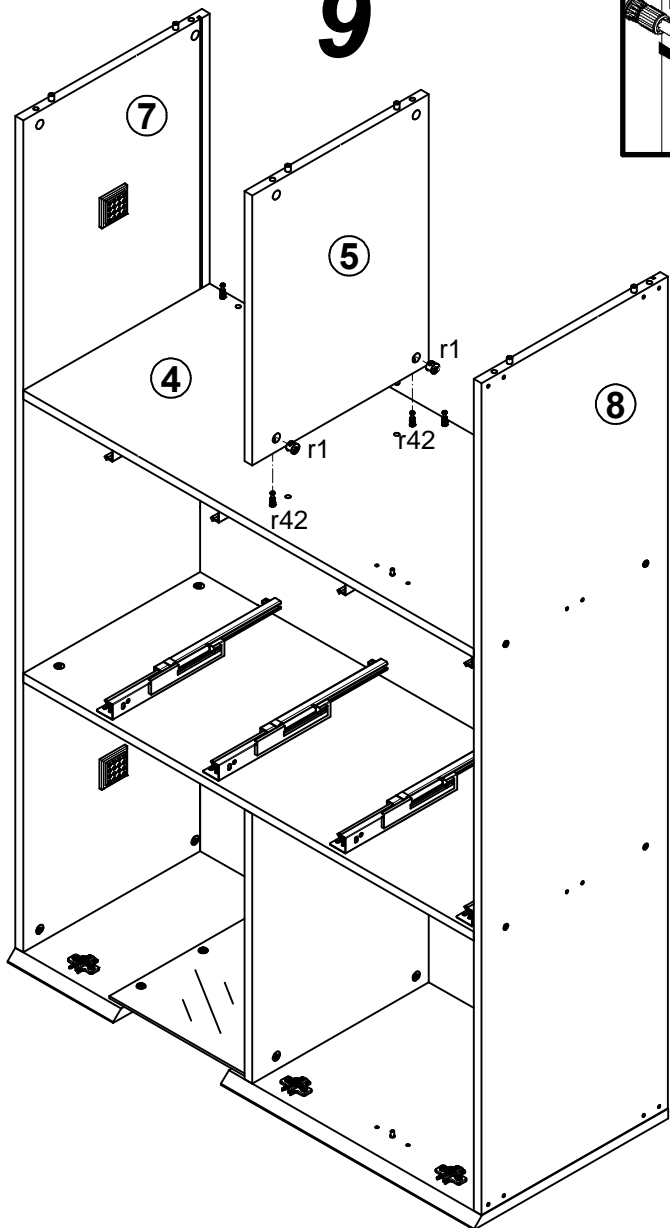


8

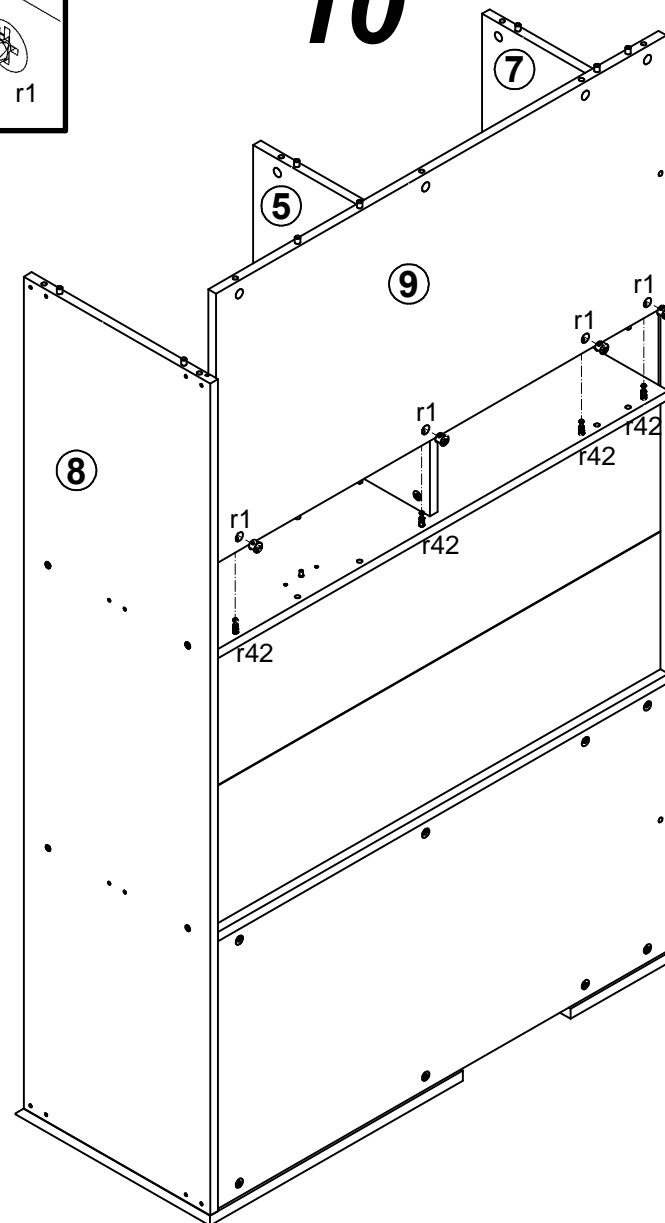


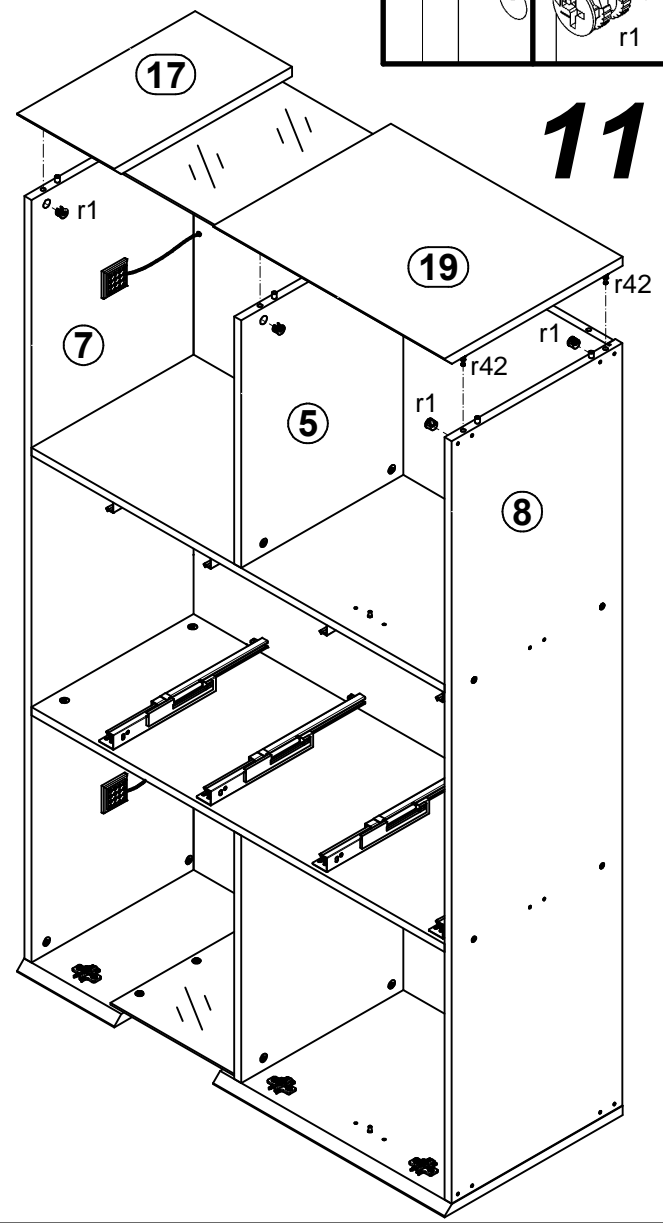
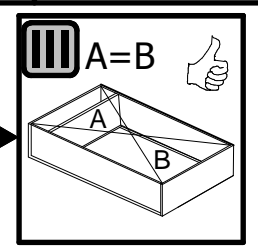
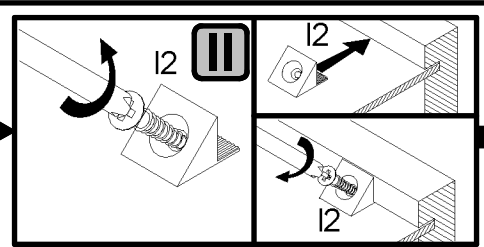
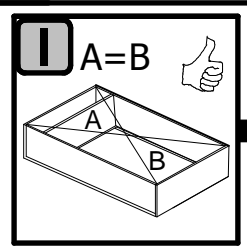
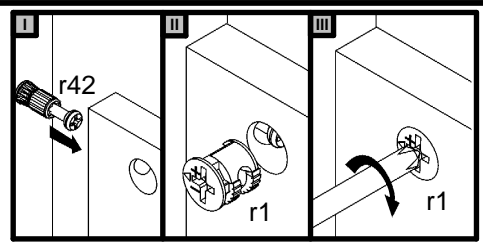


9

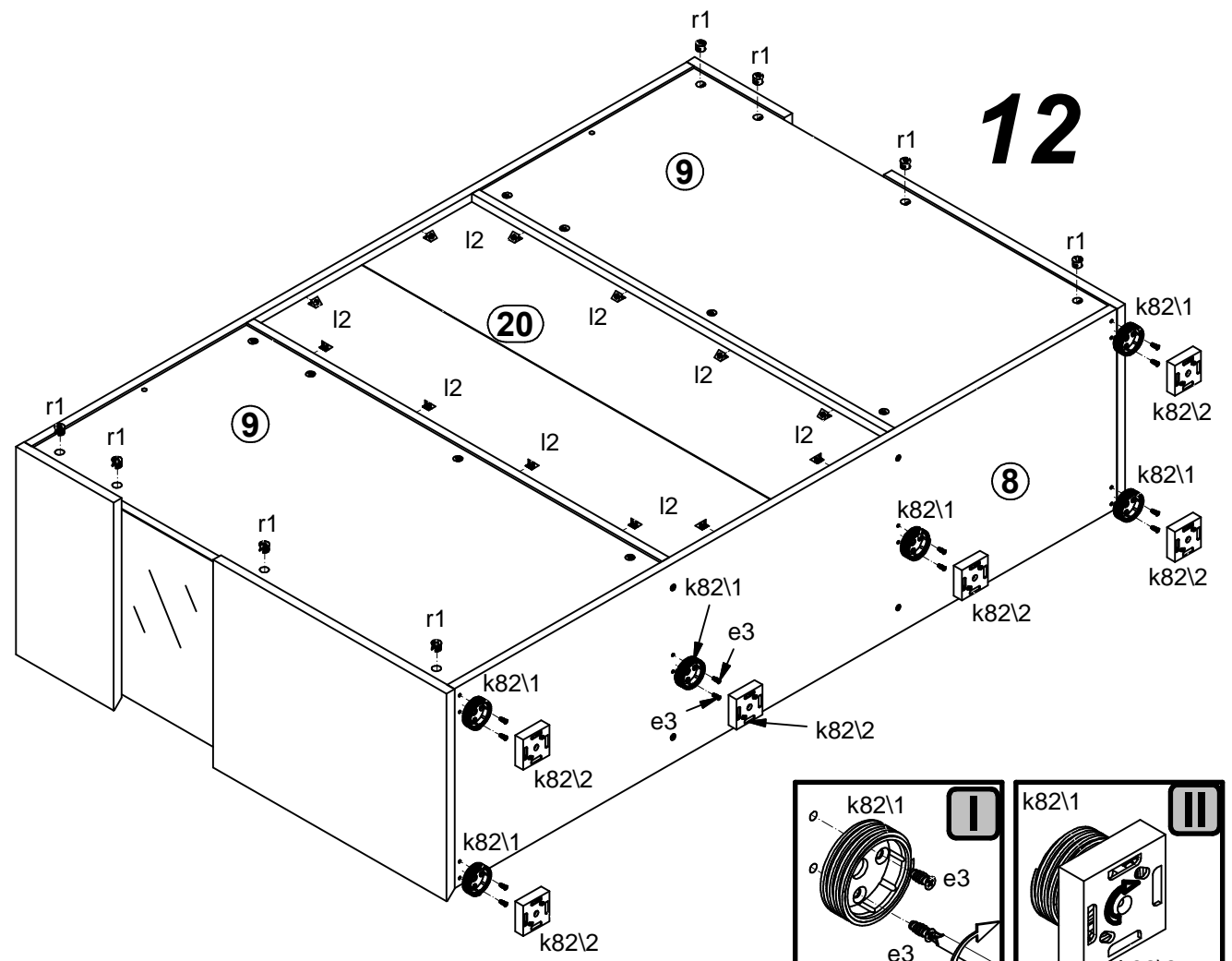


10

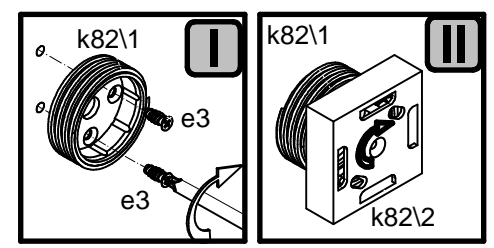




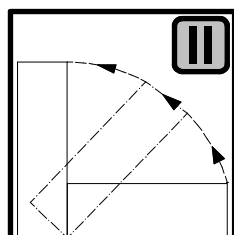
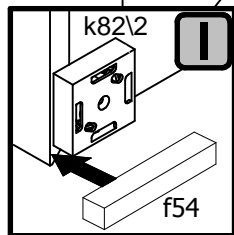
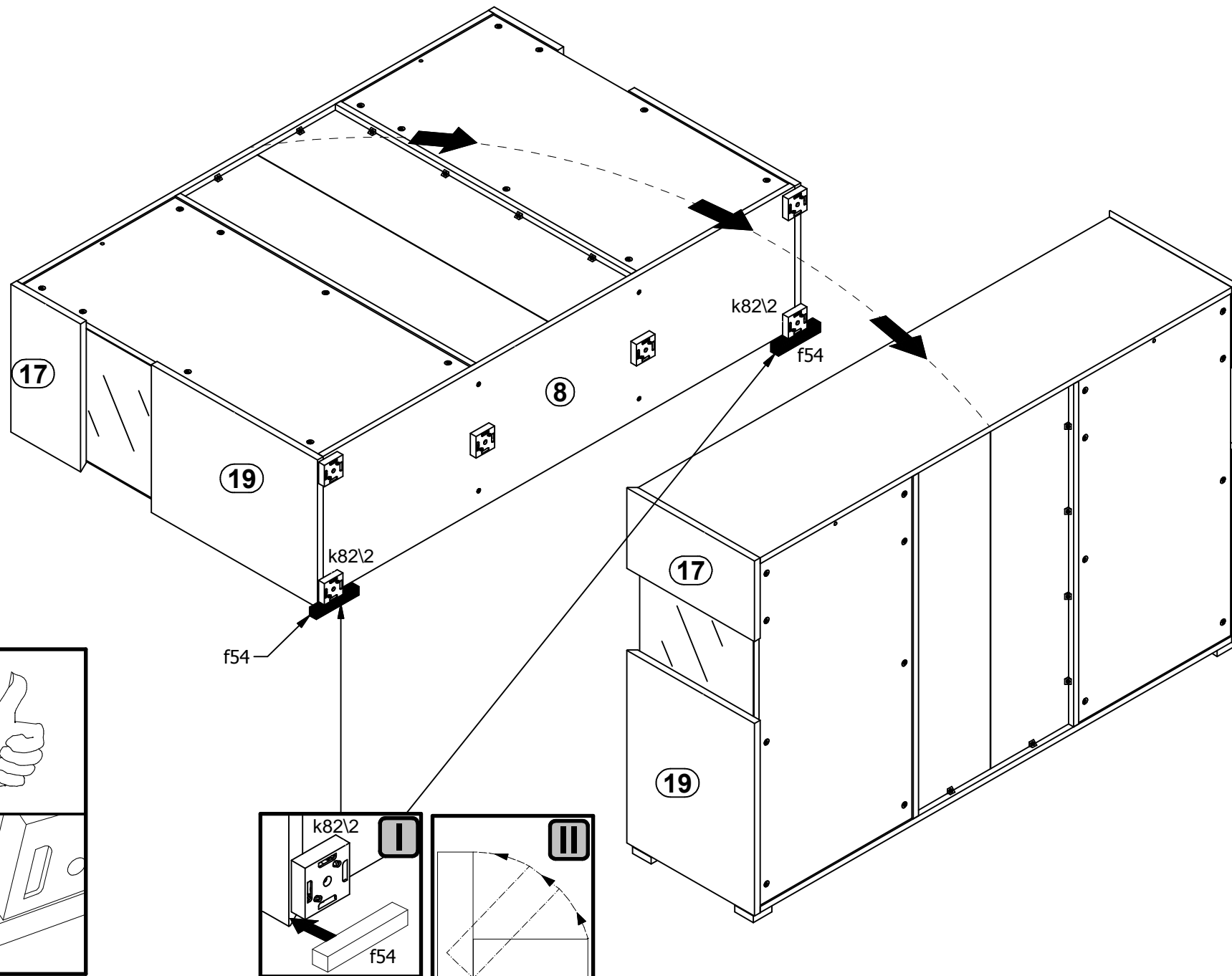
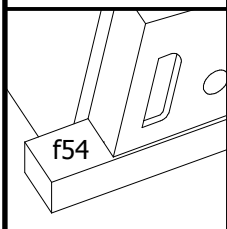
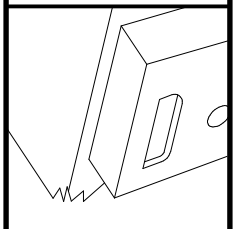
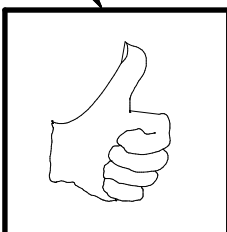
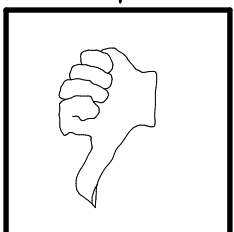
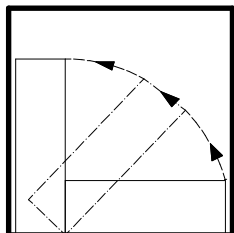
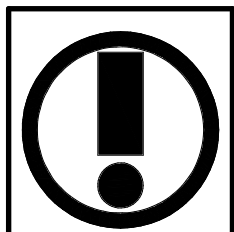
11



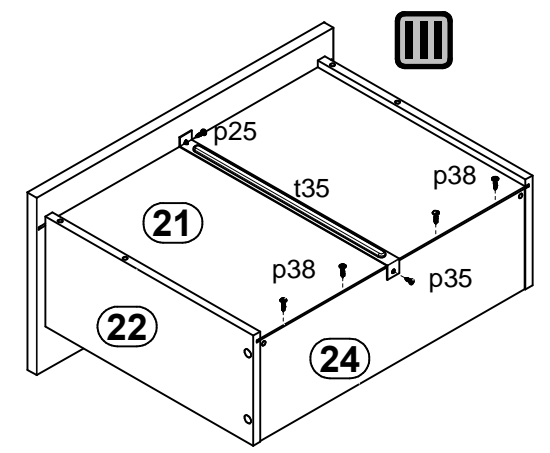
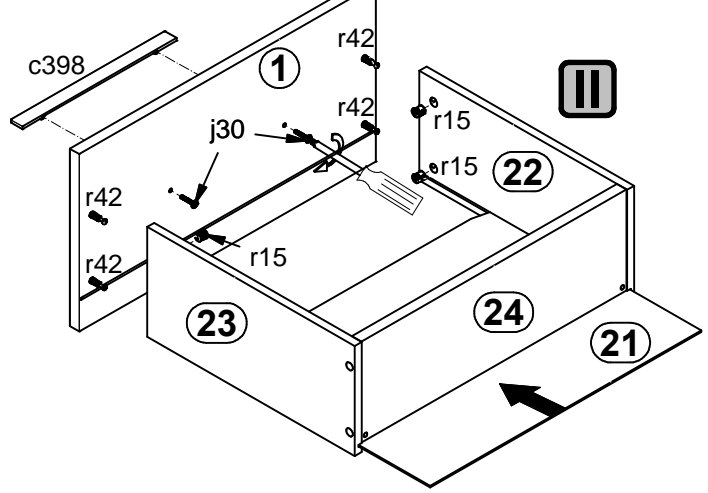
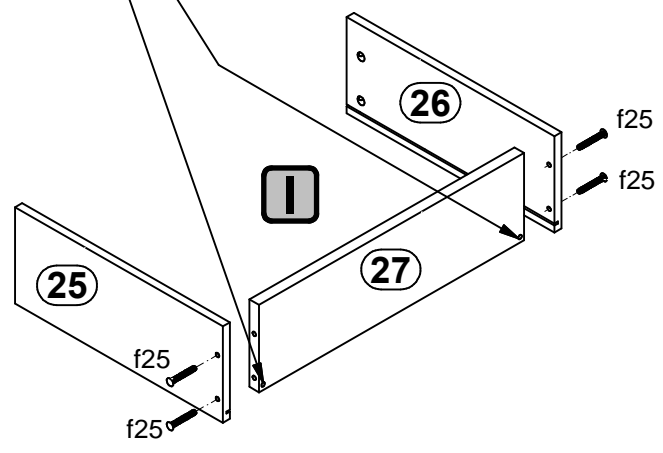
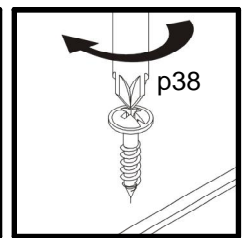
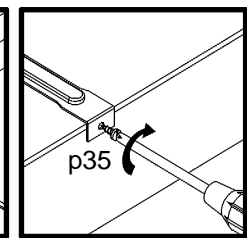
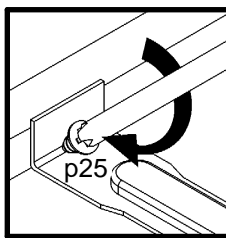
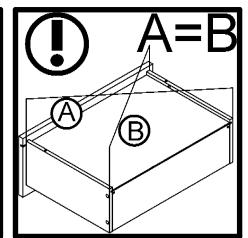
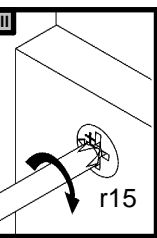
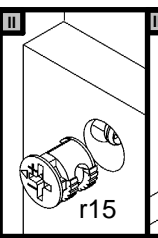
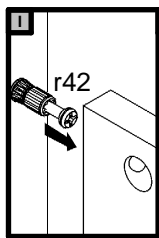
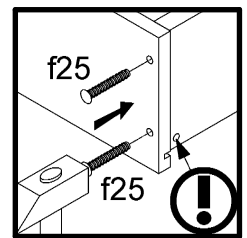
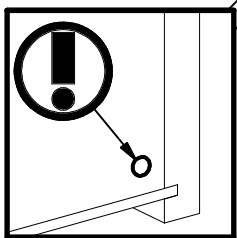
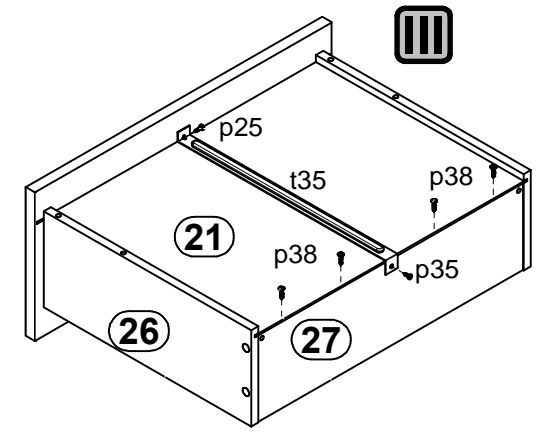
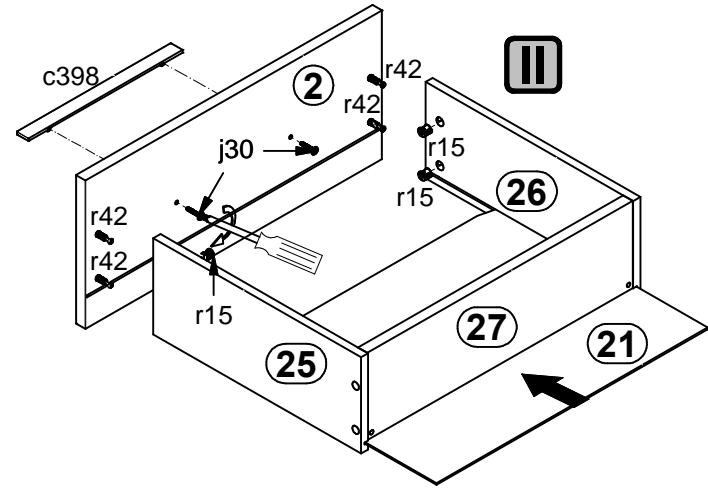
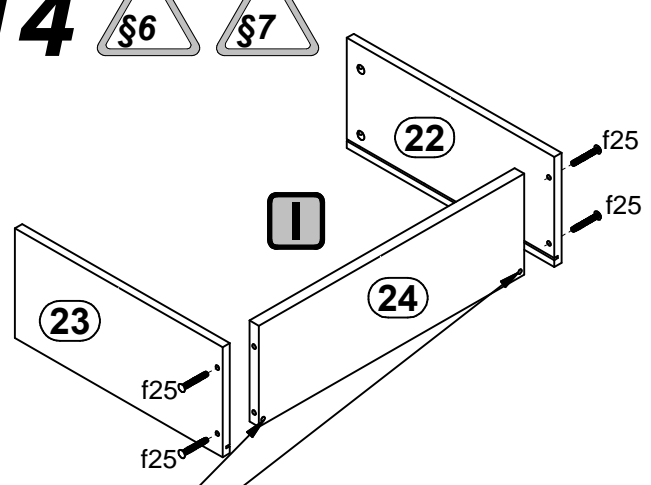
12



13

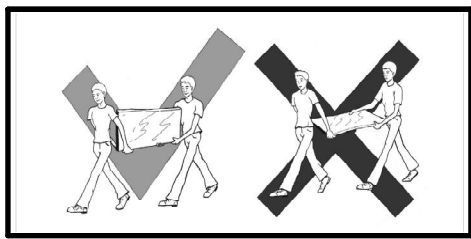
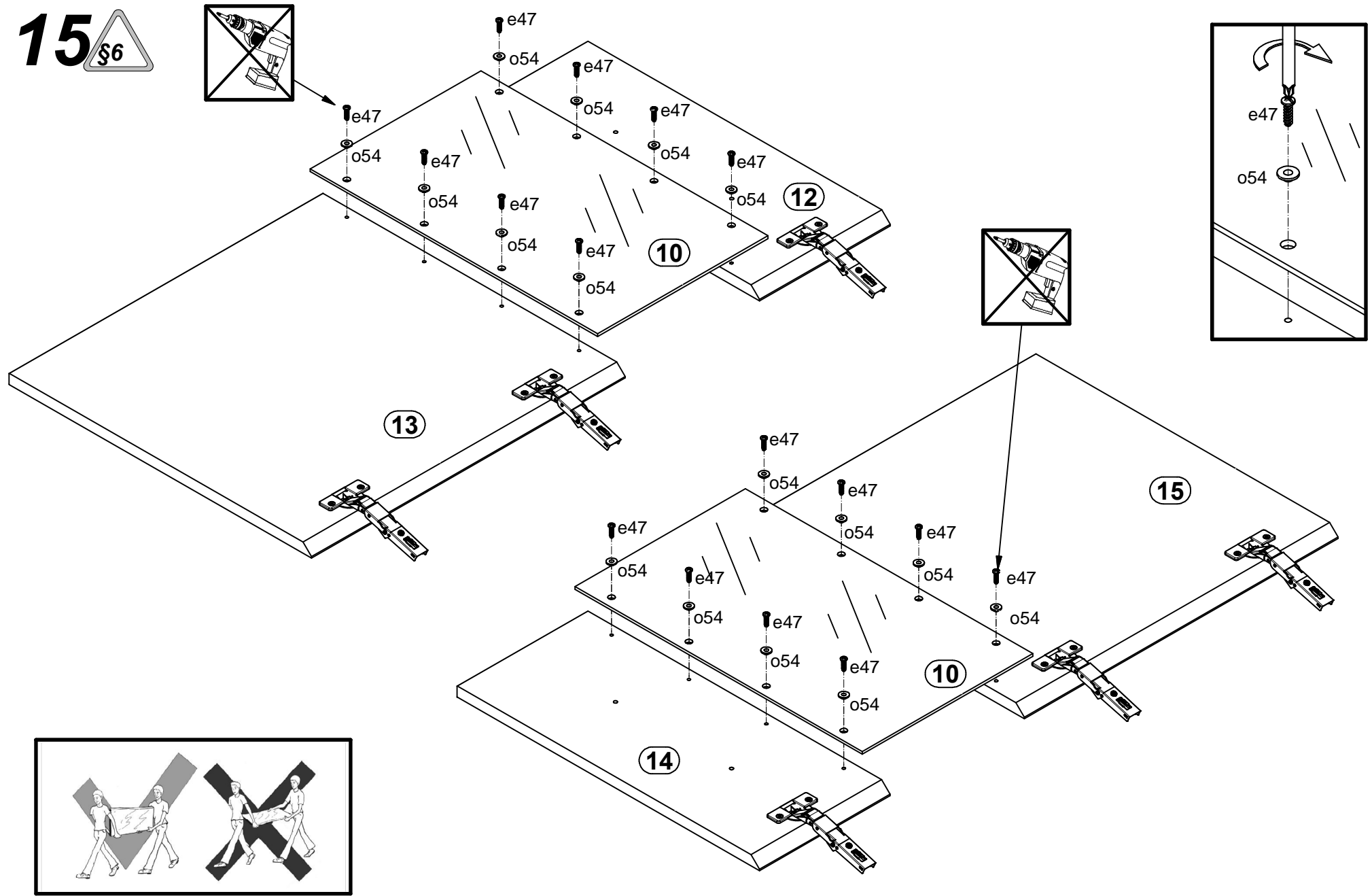


14

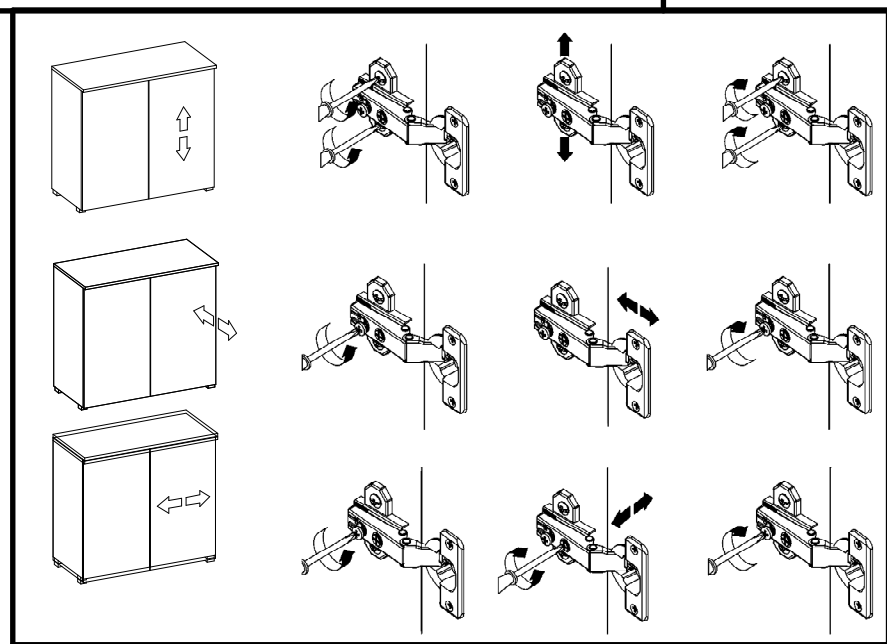
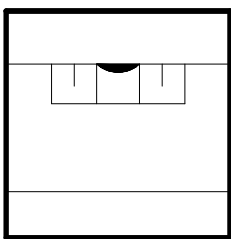
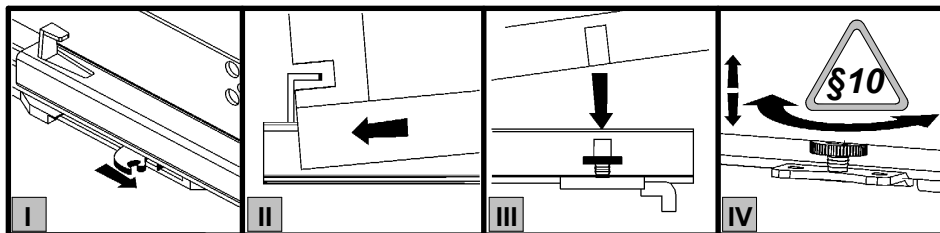


15

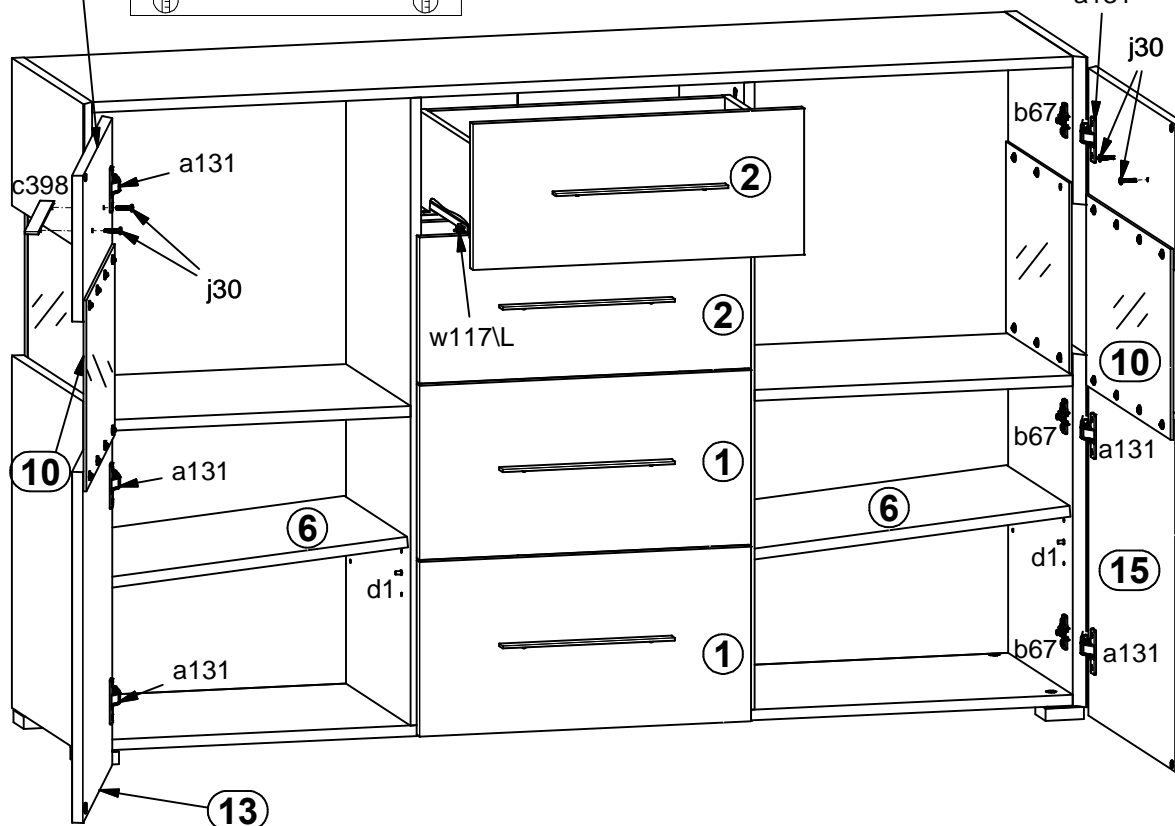
§6



16



12



a131

j30

b67

c398

14

w117L

b67

a131

d1

b67

a131

