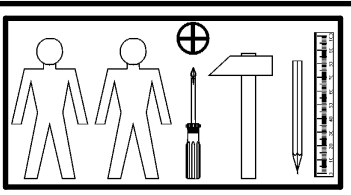
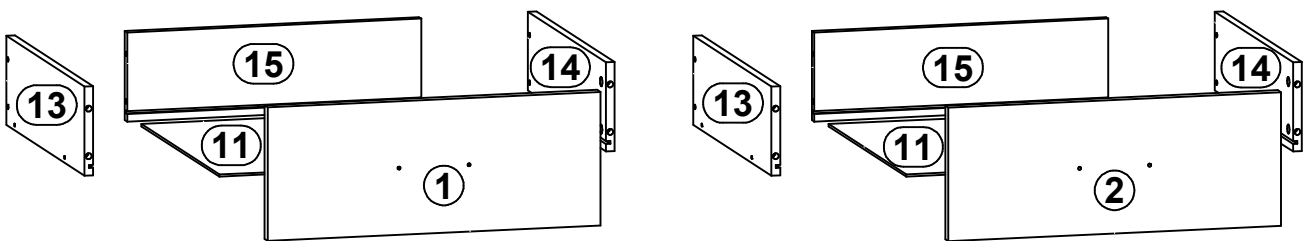
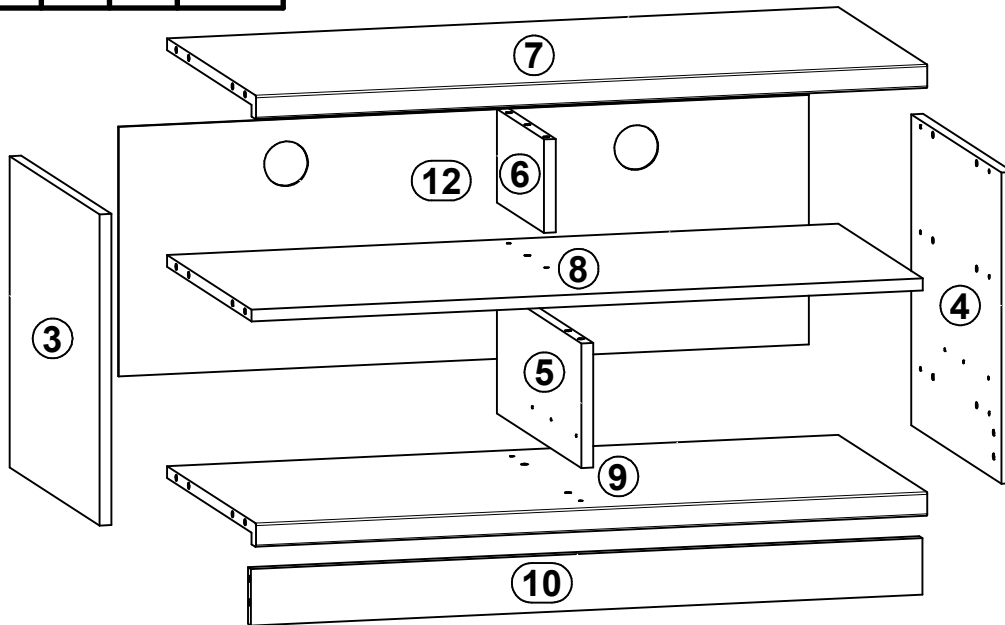
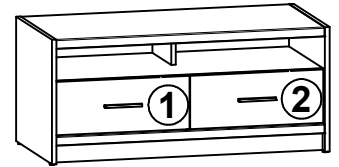


OPEN

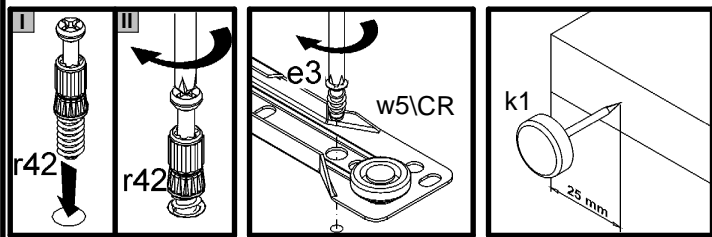
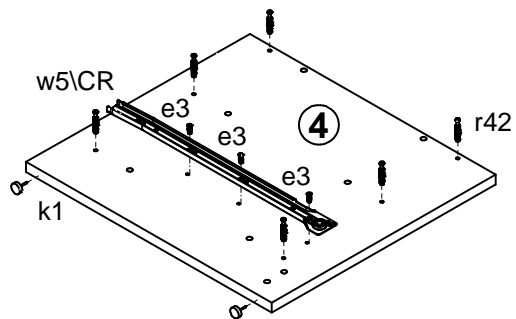
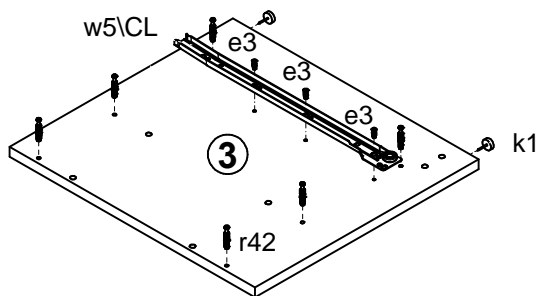
S133-RTV/95

A	B	C	D	
1	S133-014	456	180	2/2
2	S133-016	456	180	2/2
3	S133-124	419	460	1/2
4	S133-125	419	460	1/2
5	S133-128	168	432	1/2
6	S133-129	126	240	1/2
7	S133-320	920	454	1/2
8	S133-321	920	432	1/2
9	S133-323	920	454	1/2
10	S133-407	920	76	1/2
11	S133-915	414	398	1/2
12	S133-918	946	336	1/2
13	ZS2-503	400	120	1/2
14	ZS2-504	400	120	1/2
15	ZS2-5550	403	120	1/2

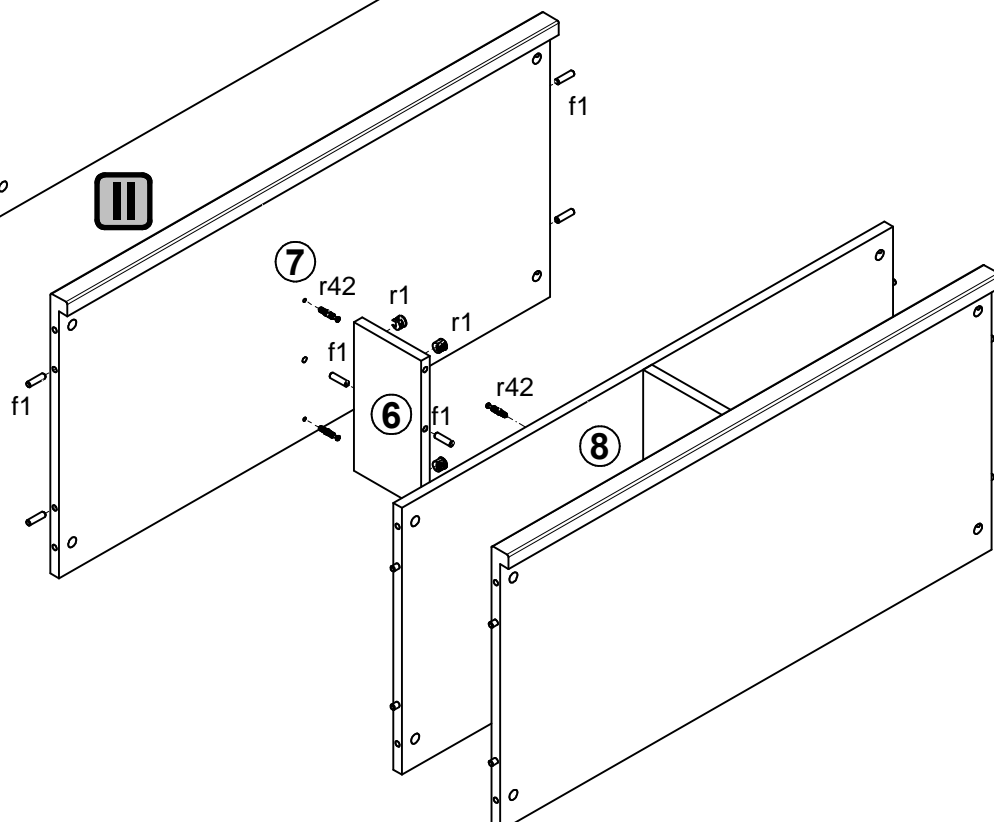
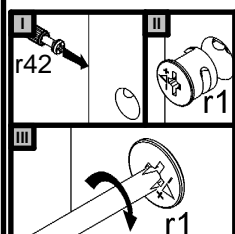
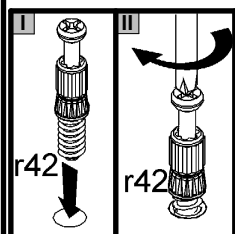
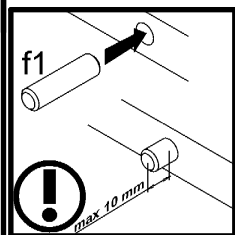
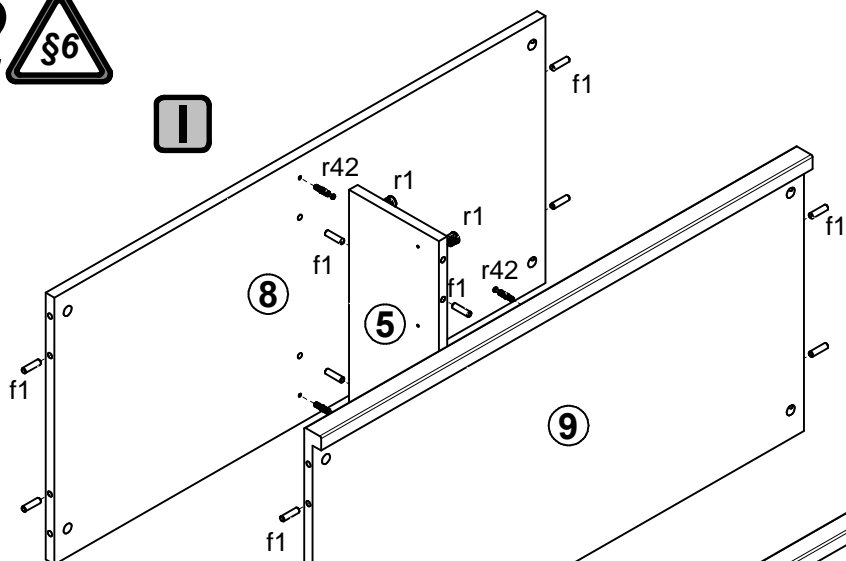


2x 128 mm c223/7	8x φ5x9 mm e19	9x φ6x13 mm e3	22x φ8x30 mm f1	8x φ6.5x40 mm f25	4x k1	40x l1	4x φ2.9x24 mm p50	3x φ3x12 mm p54
20x φ15x12mm #16 r1	8x φ12x10.5mm #12 r15	28x r42	2x 400 mm w5\CL	2x 400 mm w5\CR	2x 400 mm w5\DL	2x 400 mm w5\DR	5x φ16 s2	

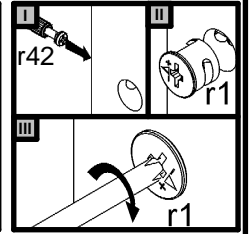
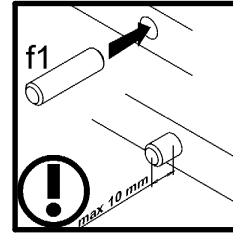
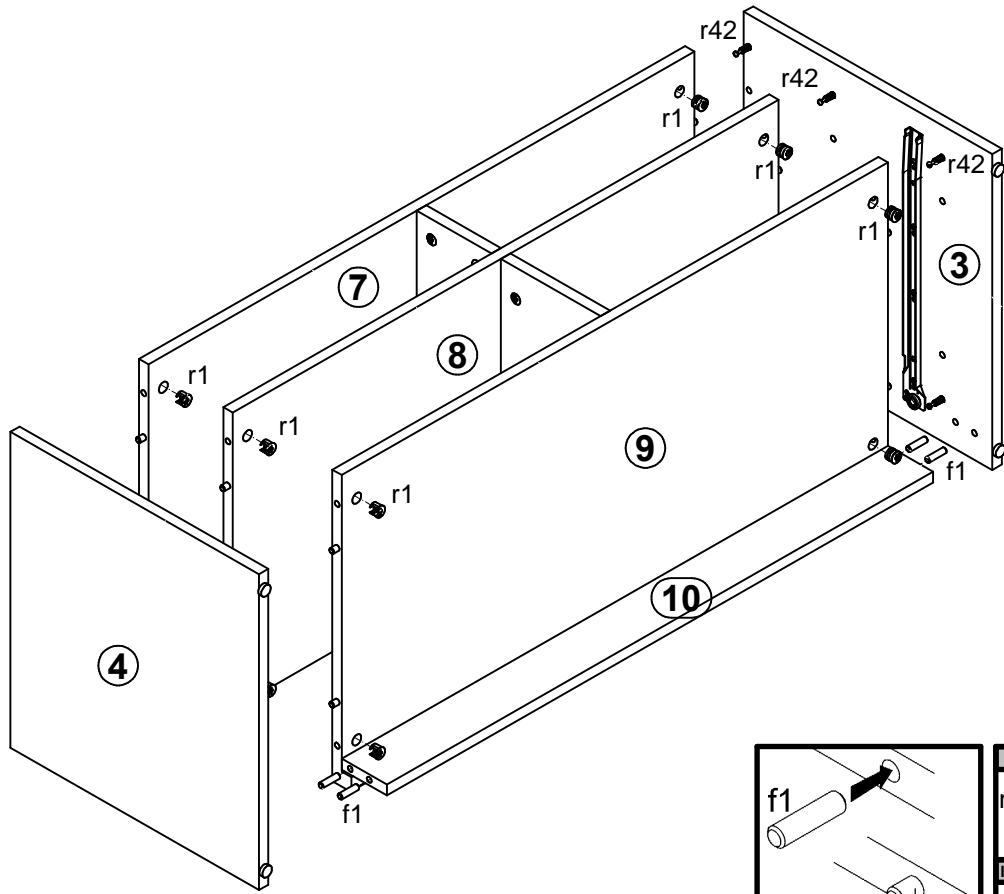
1 



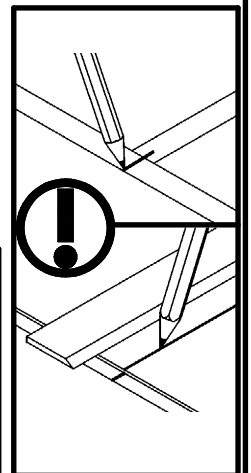
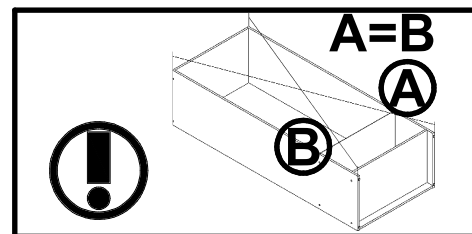
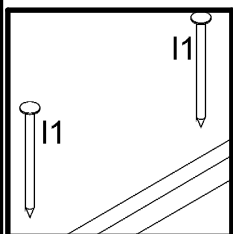
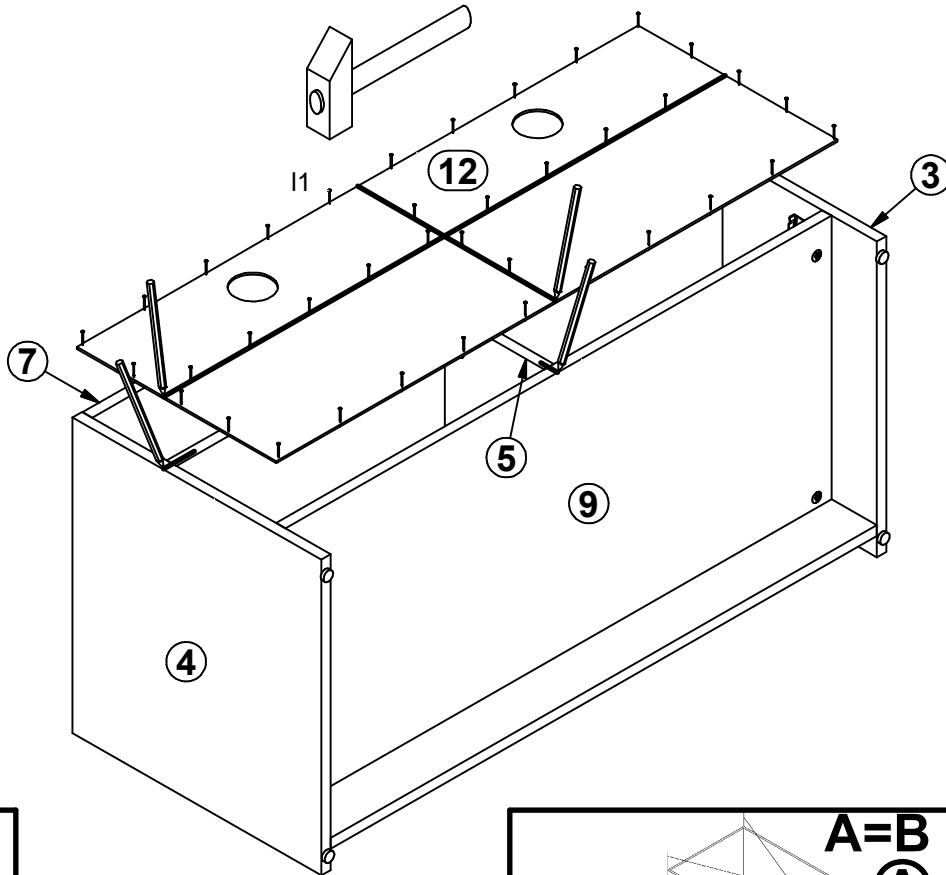
2 



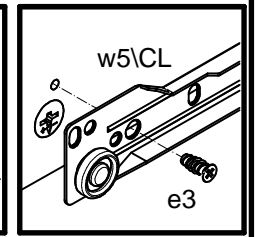
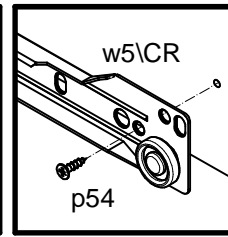
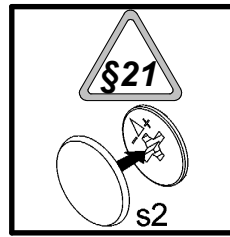
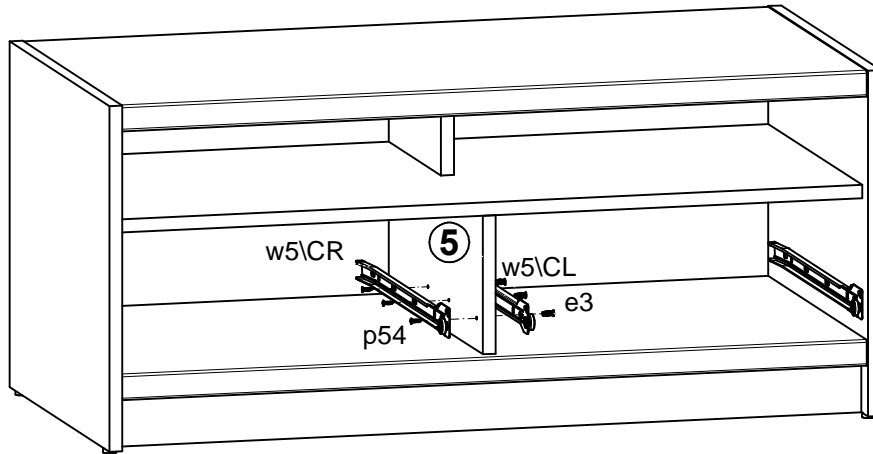
3



4

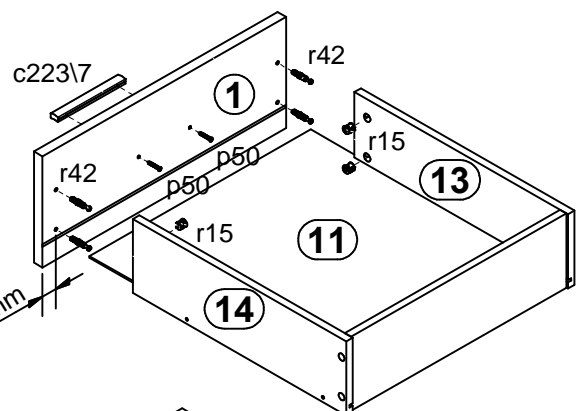
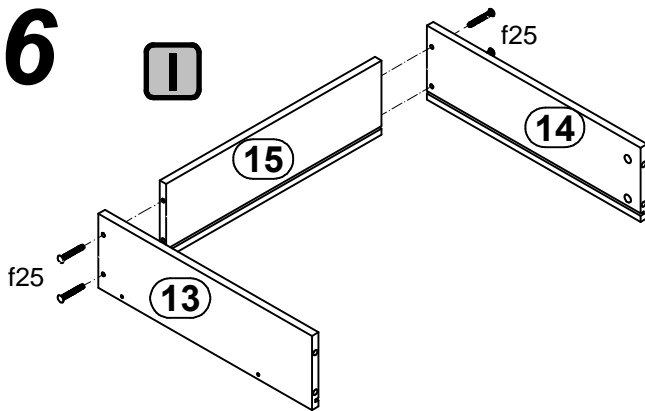


5

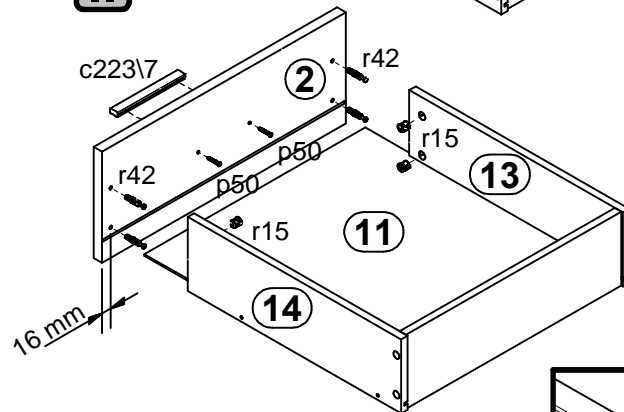


6

I



II



III

