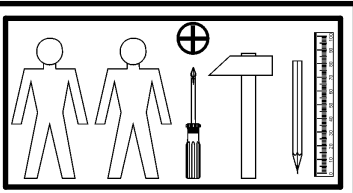
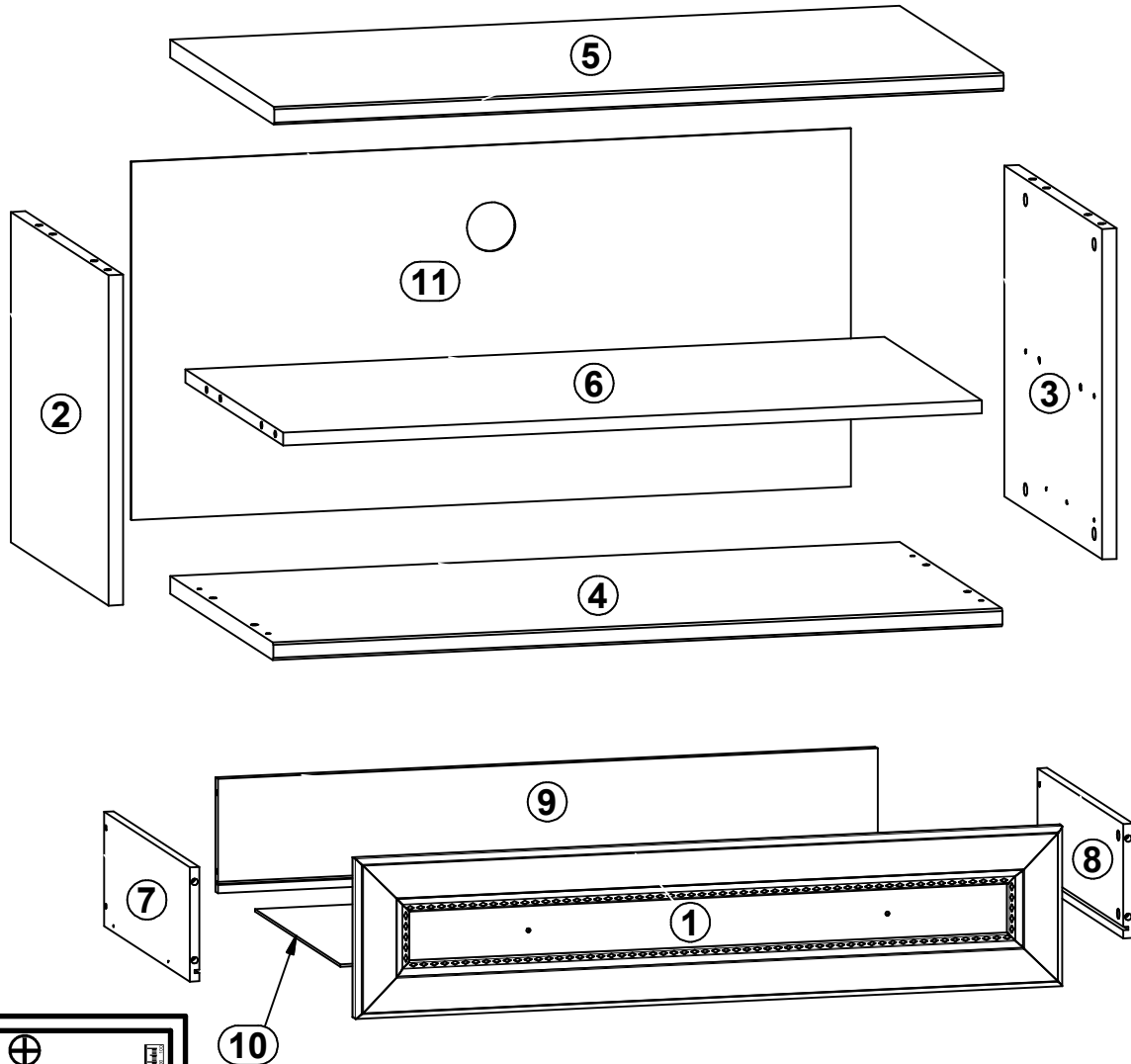
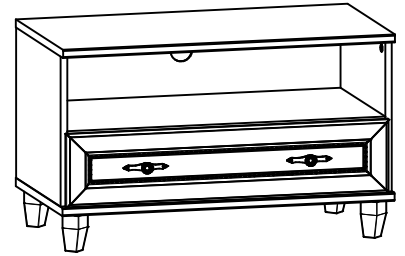
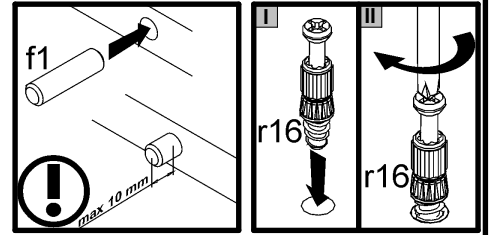
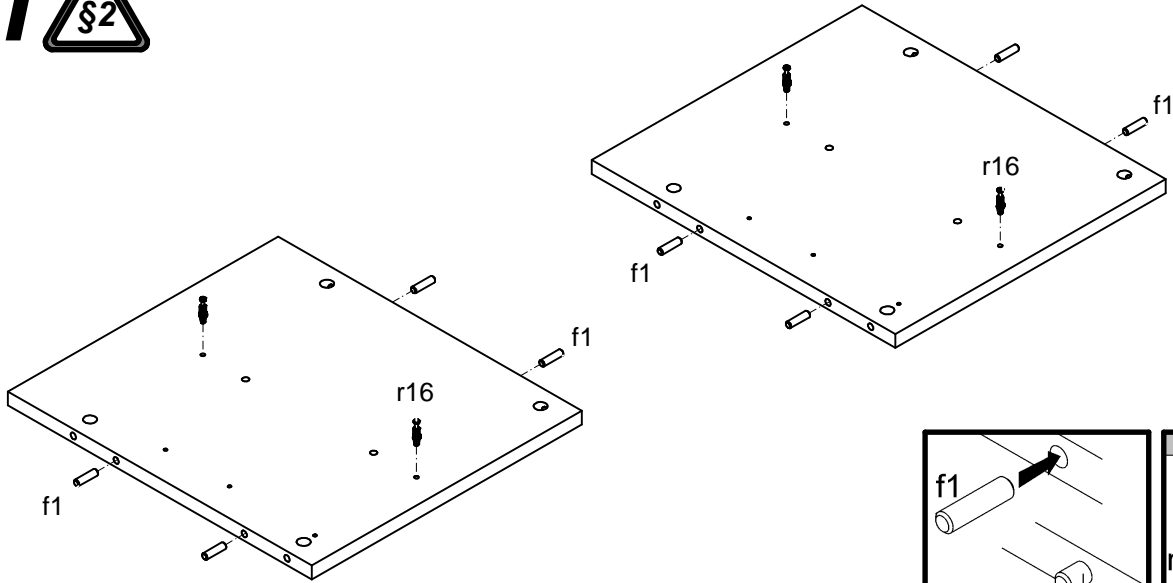


A	B	C	D
1	SG1-039	882	196
2	SG1-173	405	455
3	SG1-174	405	455
4	SG1-240	910	480
5	SG1-241	910	485
6	SG1-343	872	455
7	SG1-506	400	140
8	SG1-507	400	140
9	SG1-528	823	140
10	SG1-940	834	398
11	SG1-941	439	898

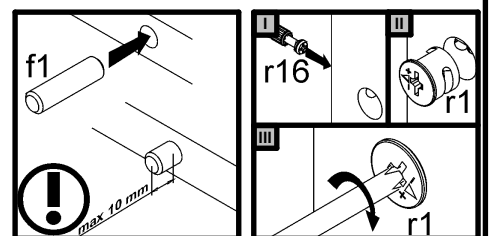
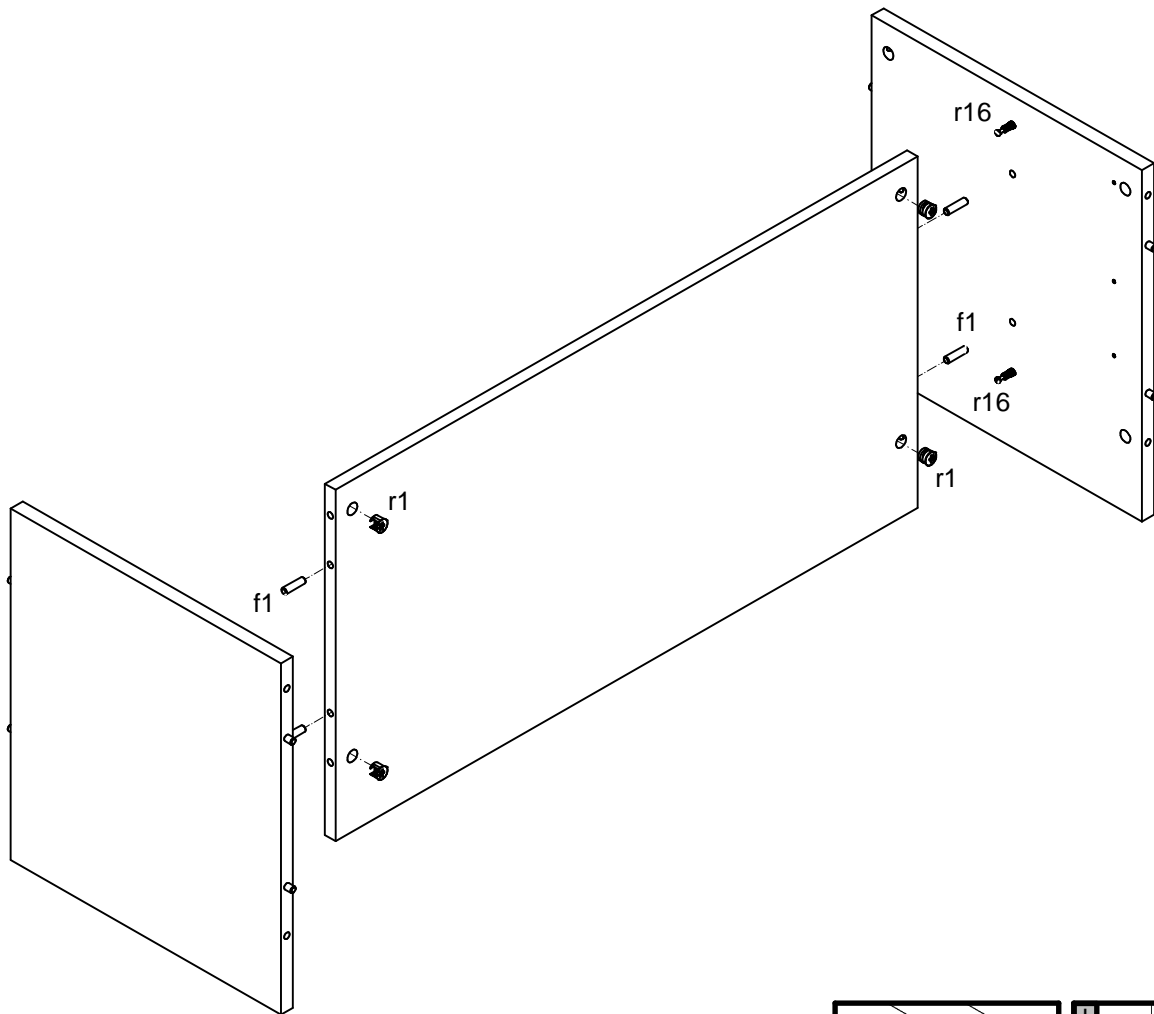


2x c65\1	2x c65\2	6x $\phi 6 \times 13$ mm e3	12x $\phi 8 \times 30$ mm f1	4x $\phi 6.5 \times 40$ mm f25	2x M4x14 mm j29	4x k21\1	4x k21\2	30x l1
8x $\phi 3.5 \times 20$ mm p20	2x $\phi 3.5 \times 16$ mm p25	4x $\phi 3 \times 12$ mm p54	12x $\phi 15 \times 12$ mm #16 r1	4x $\phi 12 \times 10.5$ mm #12 r15	16x r16	4x $\phi 16$ s2	1x 383 mm t14	1x 400 mm w5\CL
1x 400 mm w5\CR	1x 400 mm w5\DL	1x 400 mm w5\DR	1x n26\1	1x $\phi 3.5 \times 16$ mm p38				

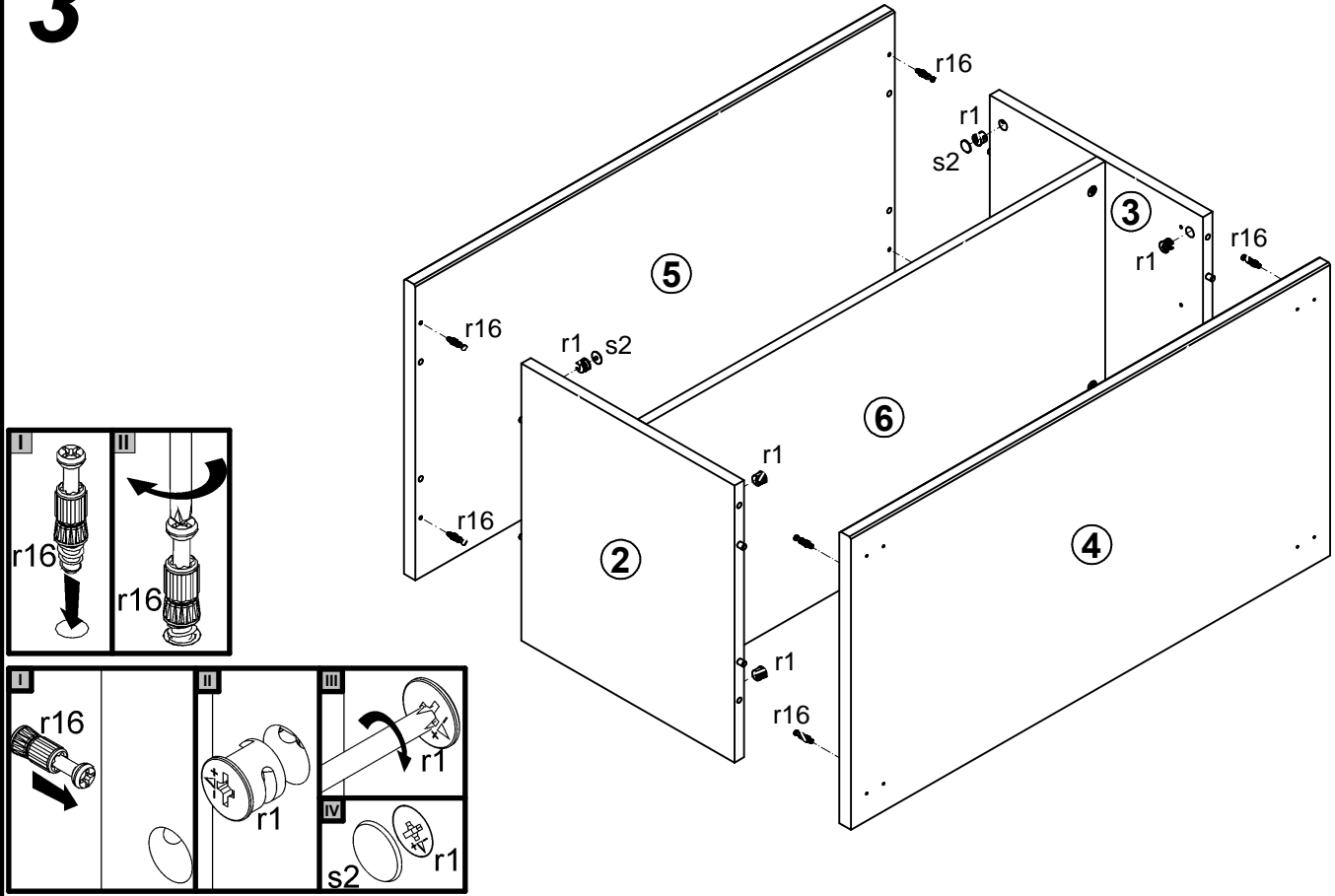
1 



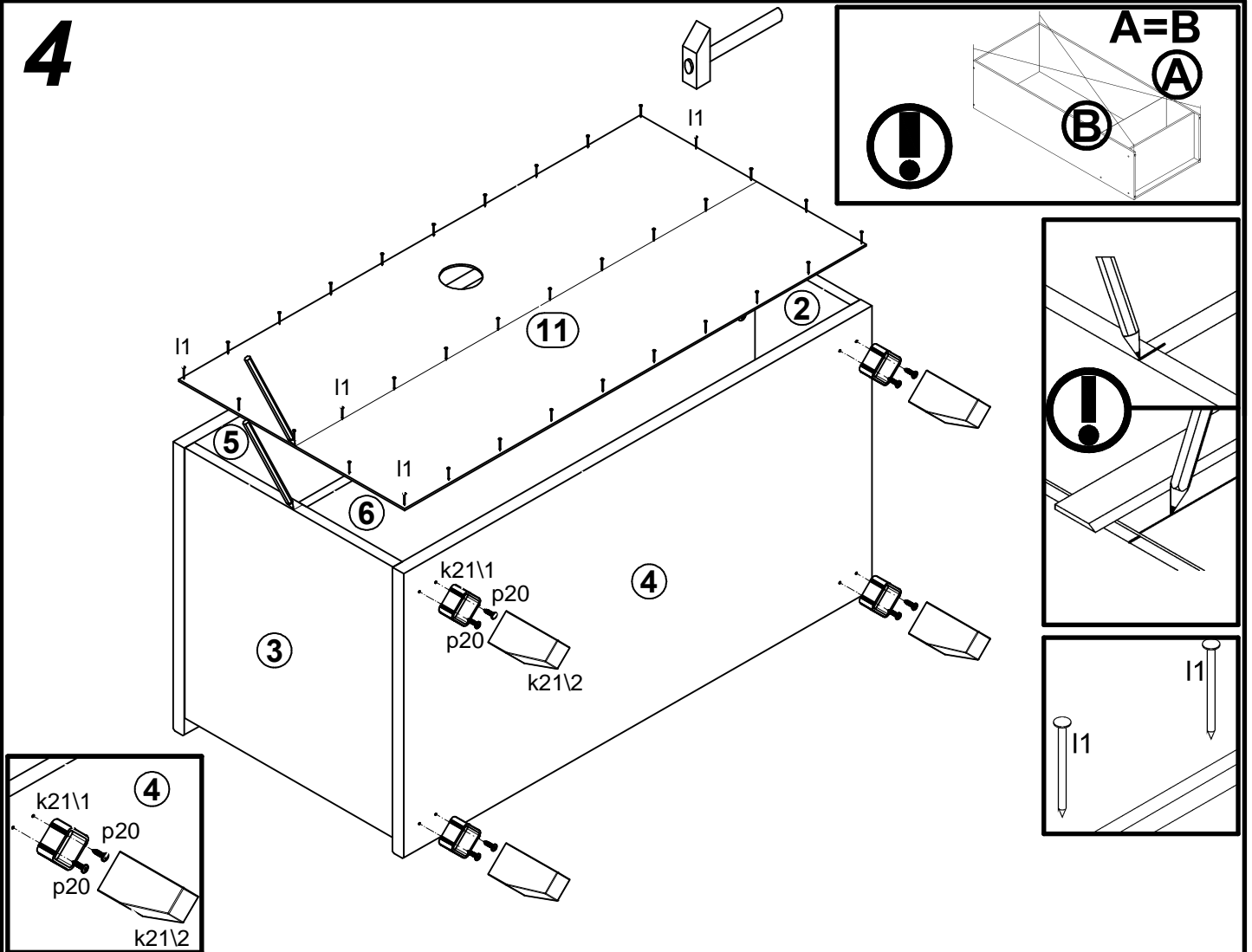
2 



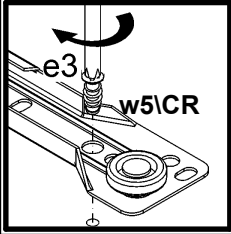
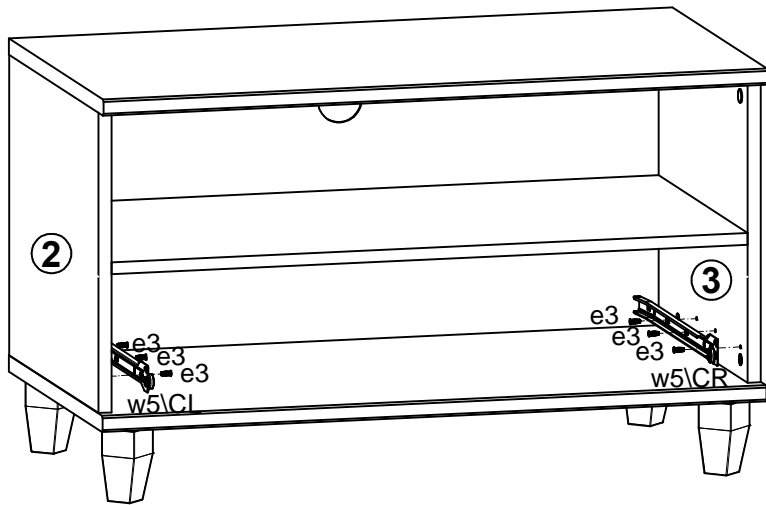
# 3



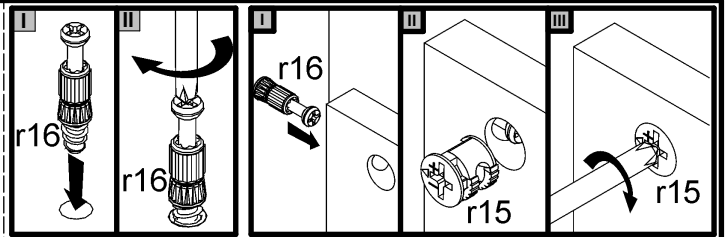
# 4



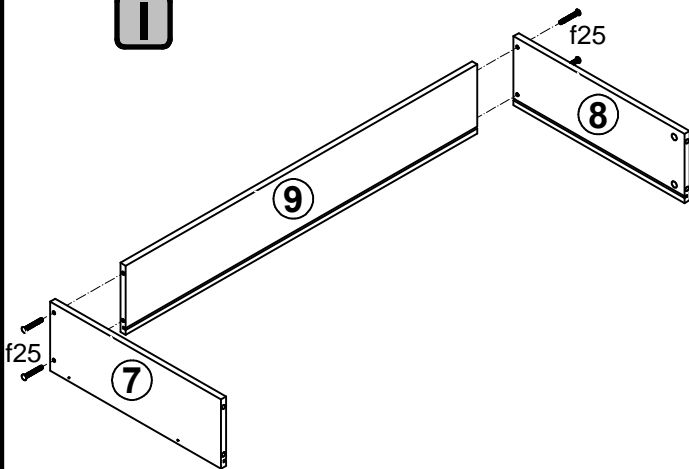
# 5



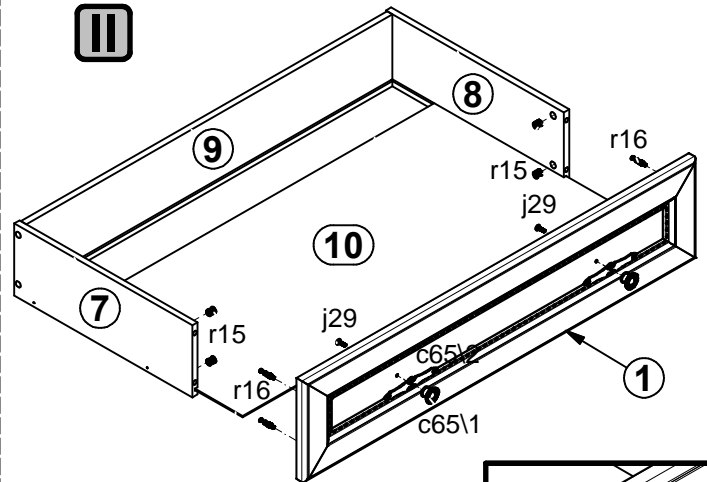
# 6



I



II



III

