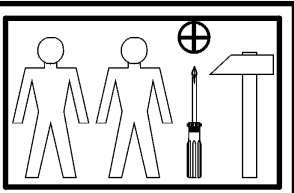
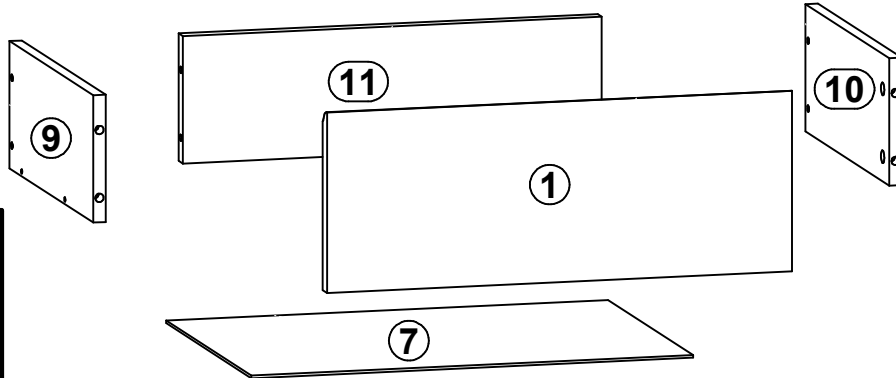
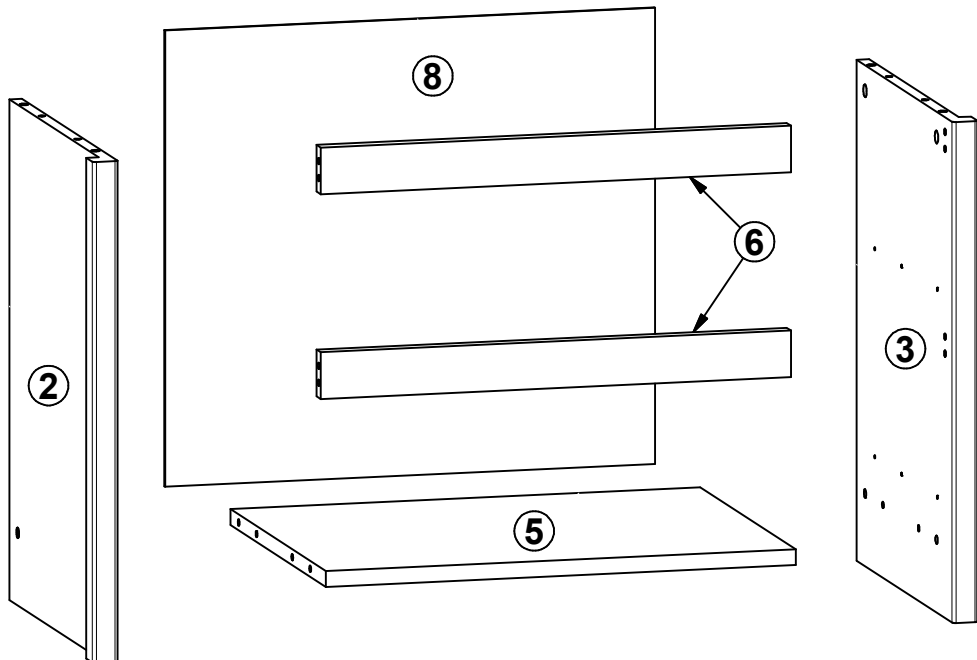
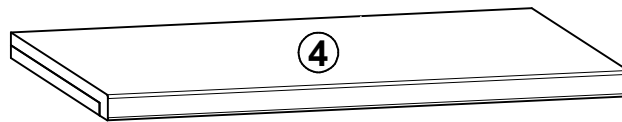
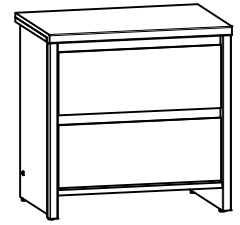


NUMLOCK

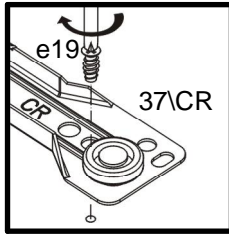
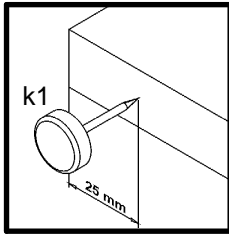
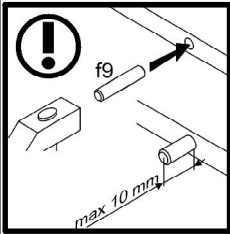
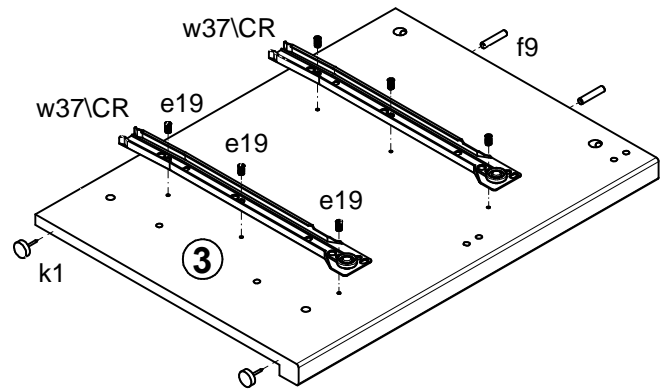
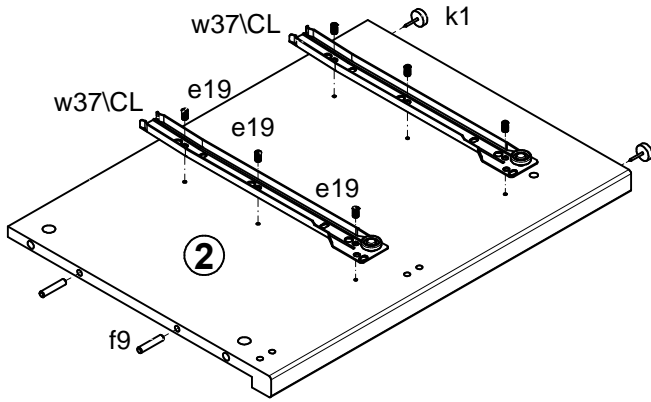
S161-KOM2S

A	B	C	D	
1	S161-004	446	170	2/2
2	S161-105	472	345	1/2
3	S161-106	472	345	1/2
4	S161-202	500	348	1/2
5	S161-302	451	342	1/2
6	S161-402	451	44	1/2
7	S161-903	424	305	1/2
8	S161-904	470	430	1/2
9	ZS3-501	300	120	1/2
10	ZS3-502	300	120	1/2
11	ZS3-5502	402	120	1/2

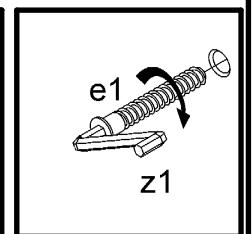
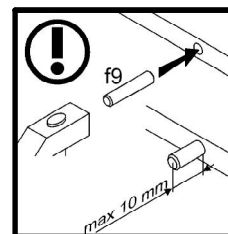
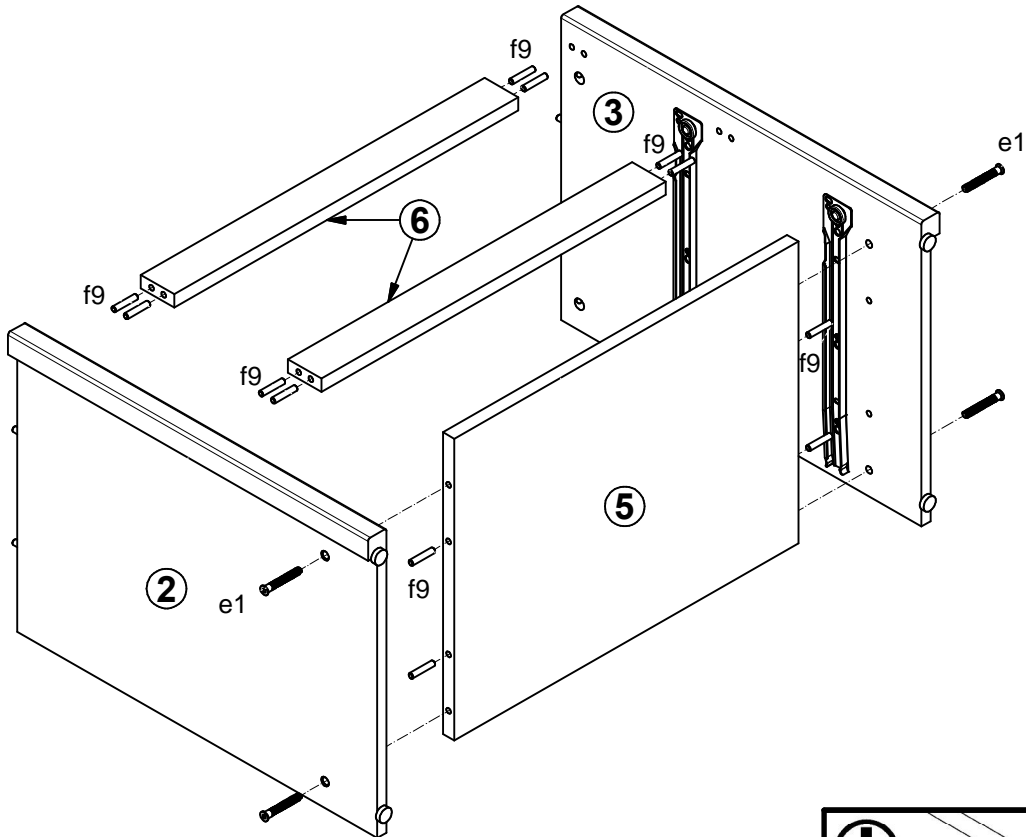


4x φ7x50 mm e1	20x φ5x9 mm e19	8x φ6.5x40 mm f25	16x φ6x30 mm f9	4x k1	20x l1	6x φ3.5x16 mm p38	12x φ12x10.5mm //12 r15	12x r42
2x 300 mm w37ICL	2x 300 mm w37ICR	2x 300 mm w37IDL	2x 300 mm w37IDR	4x s1	1x z1	1x n26/1	1x φ3.5x16 mm p38	

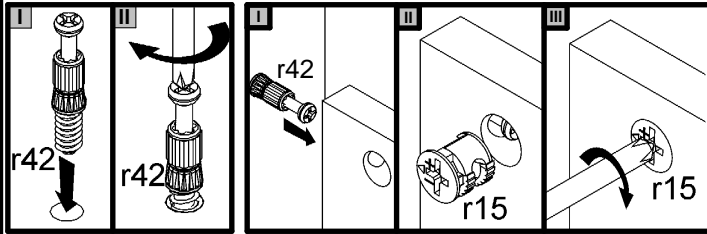
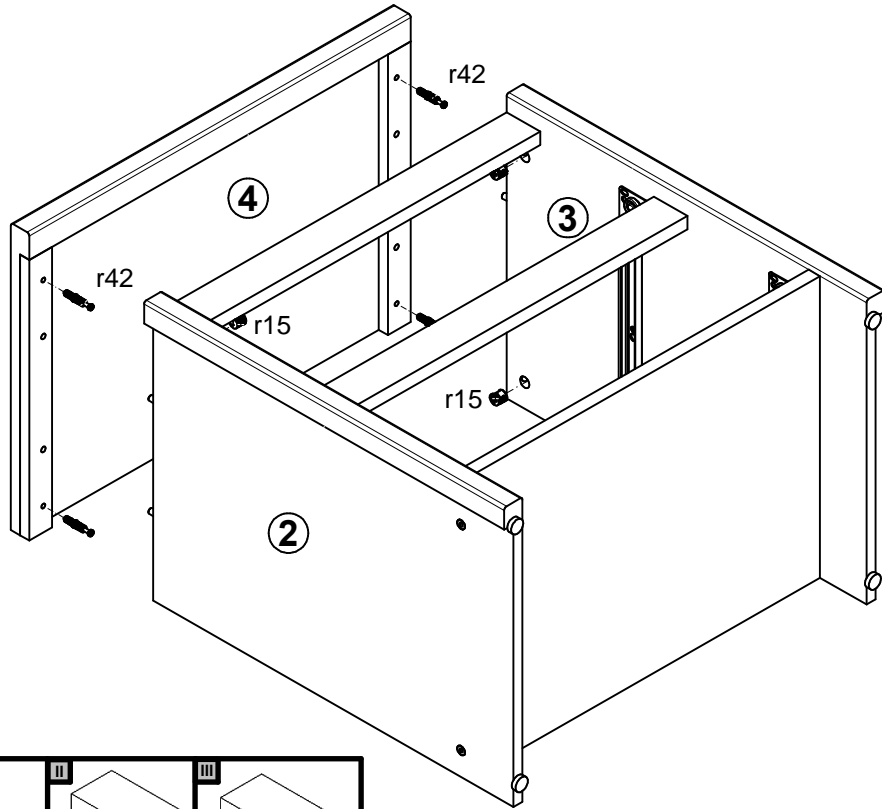
1



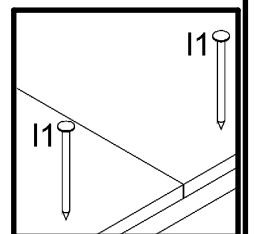
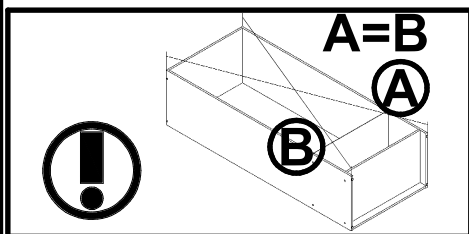
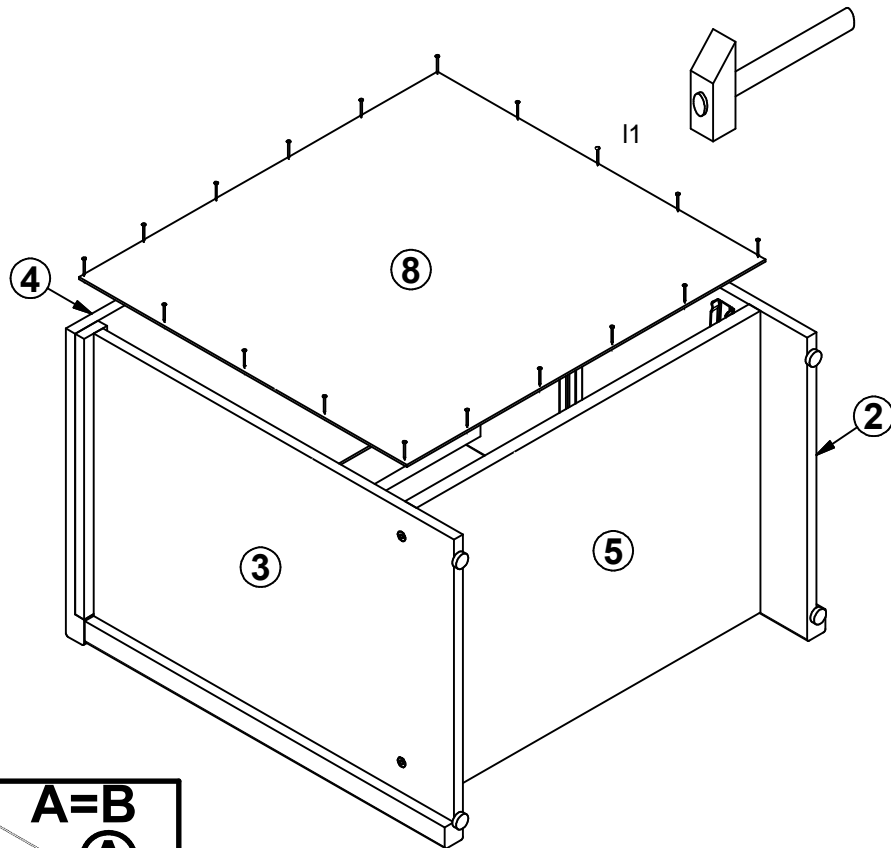
2



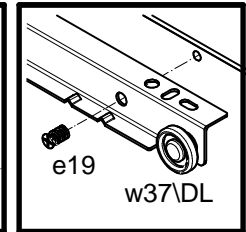
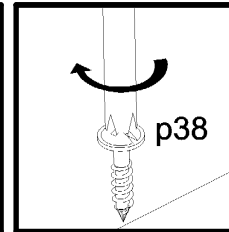
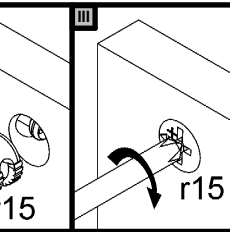
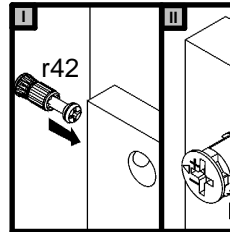
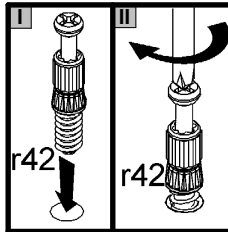
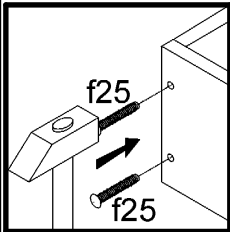
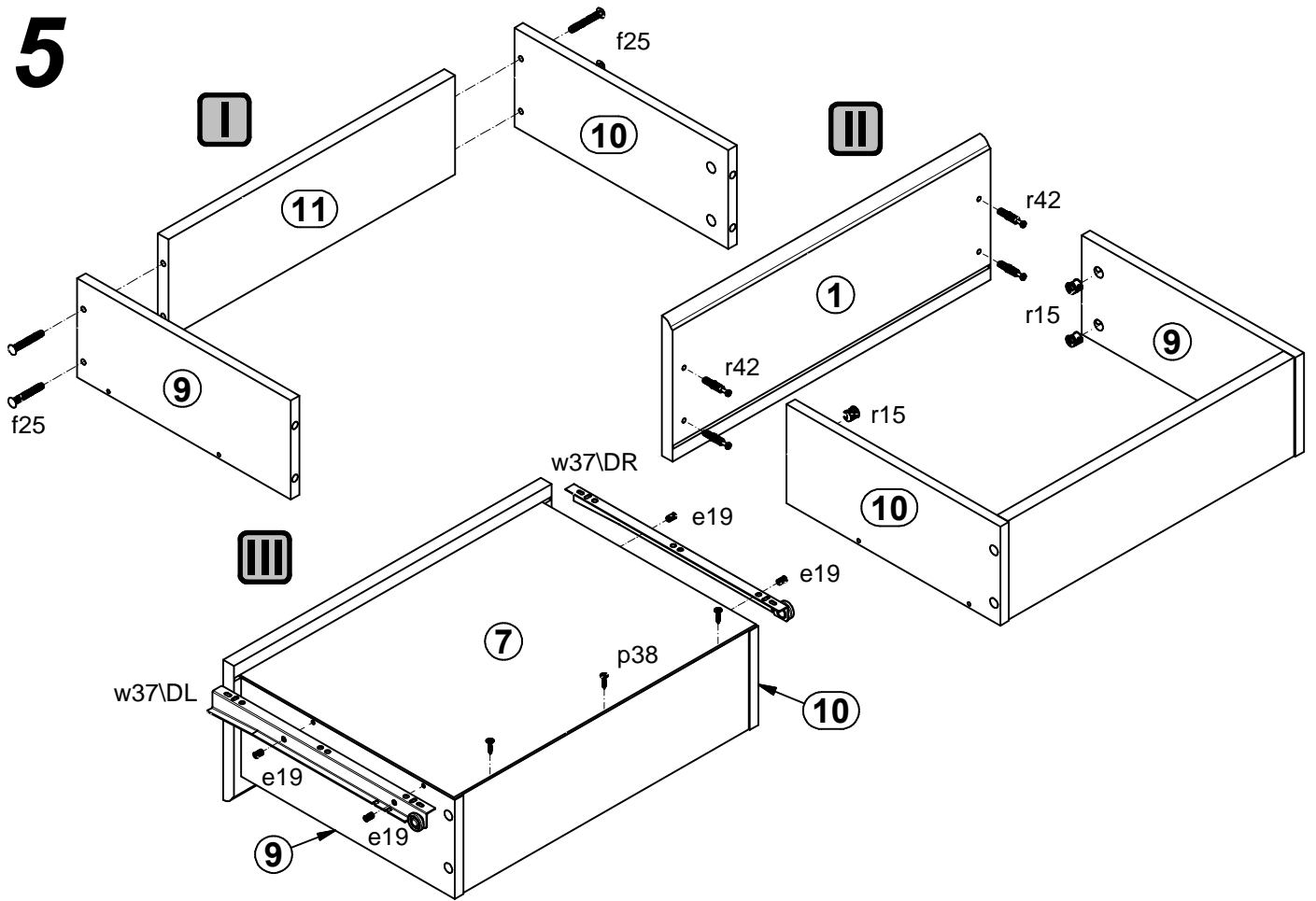
3



4



5



6

