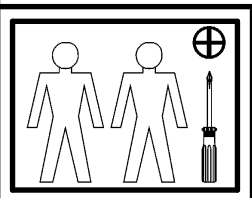
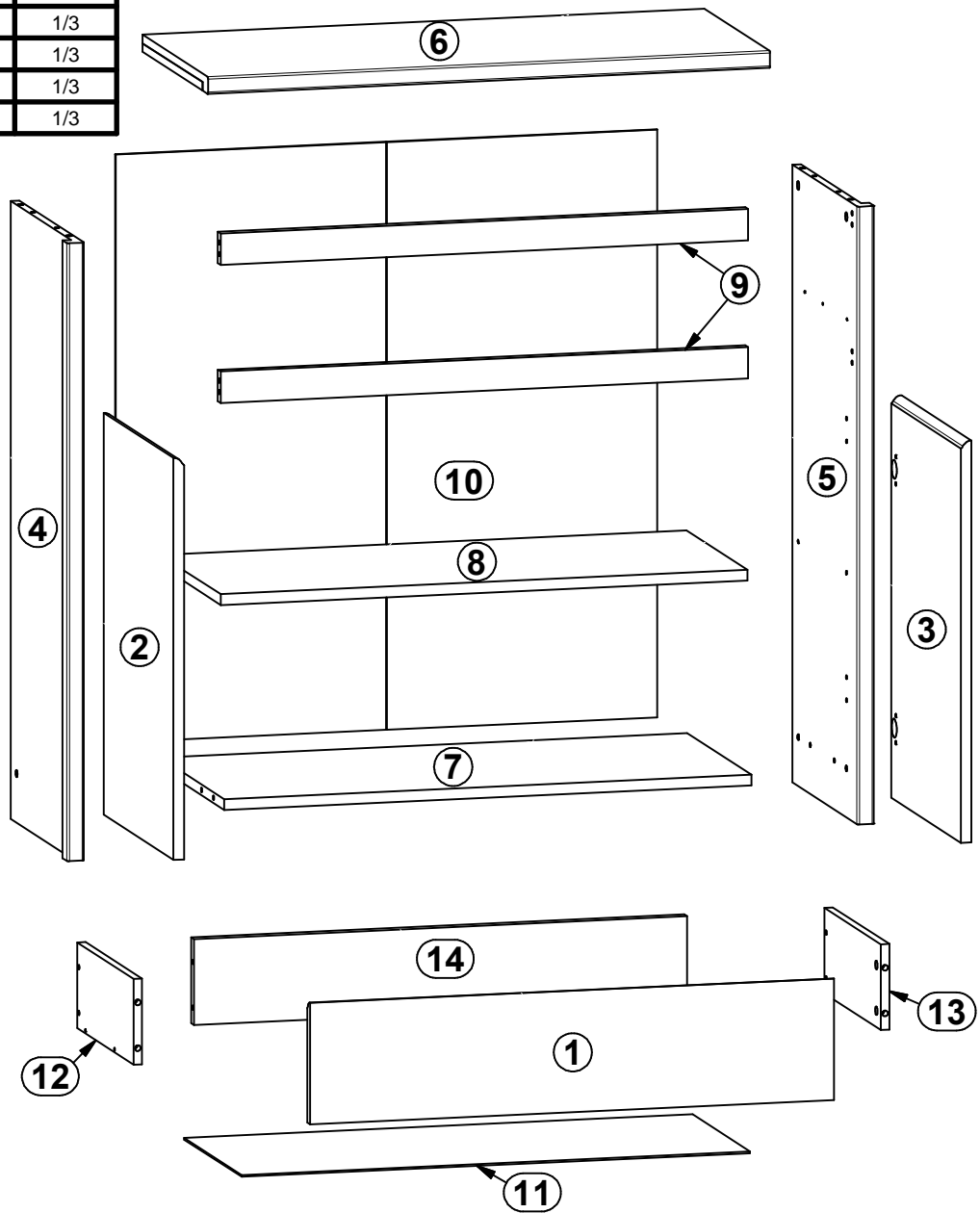
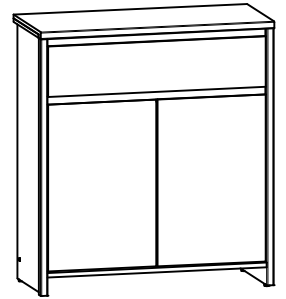


NUMLOCK

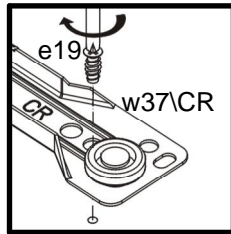
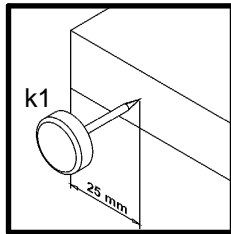
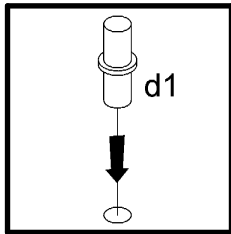
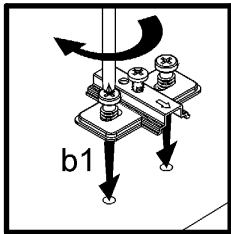
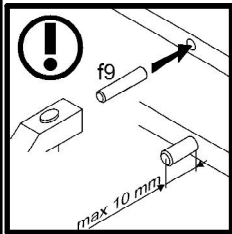
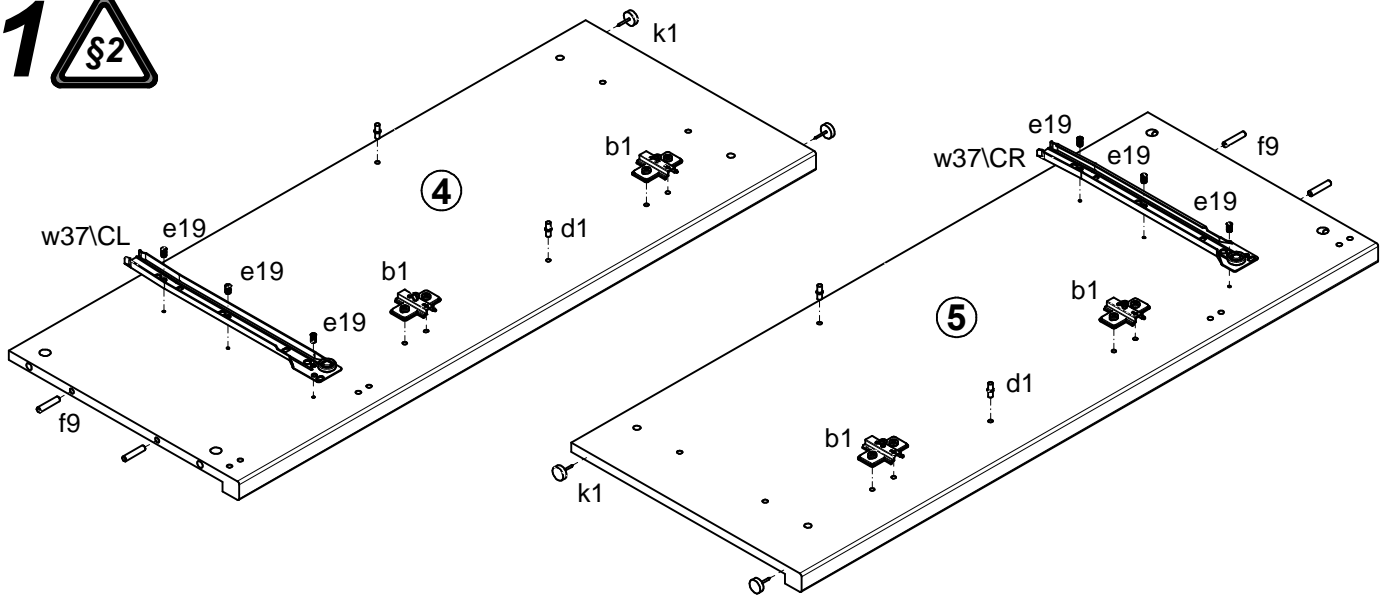
S161-KOM2D1S

A	B	C	D	
1	S161-001	746	170	2/3
2	S161-002	562	371	3/3
3	S161-003	562	371	3/3
4	S161-103	864	345	1/3
5	S161-104	864	345	1/3
6	S161-201	800	348	1/3
7	S161-301	751	342	1/3
8	S161-313	750	324	1/3
9	S161-401	751	44	1/3
10	S161-901	822	771	1/3
11	S161-902	724	305	1/3
12	ZS3-501	300	120	1/3
13	ZS3-502	300	120	1/3
14	ZS3-5501	702	120	1/3

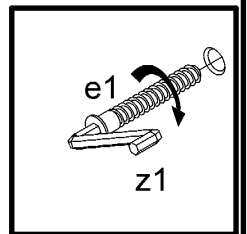
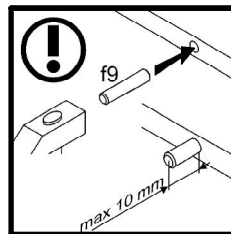
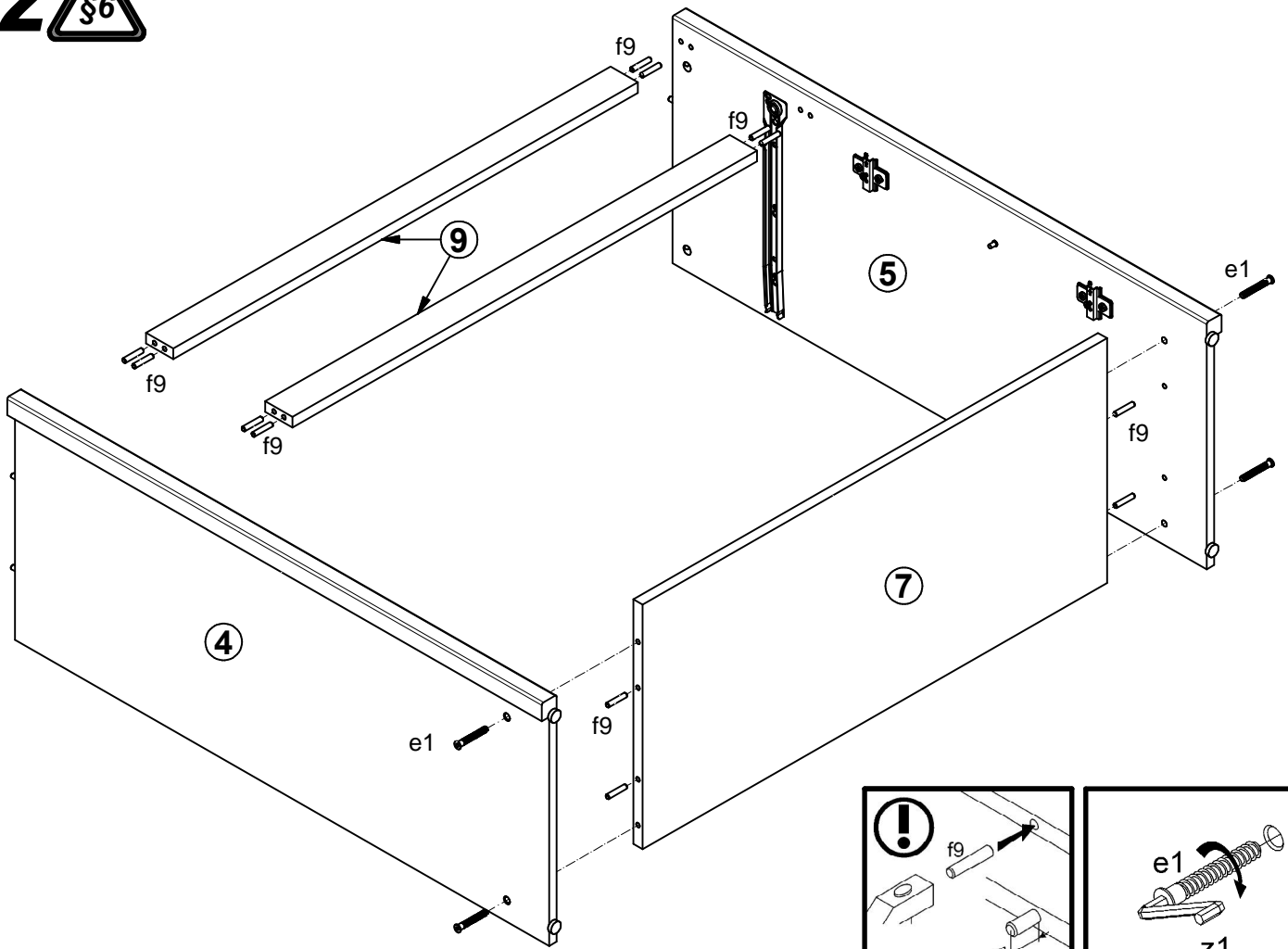


4x a1	4x b1	4x d1 Ø5x17 mm	4x e1 Ø7x50 mm	10x e19 Ø5x9 mm	4x f25 Ø6.5x40 mm	16x f9 Ø6x30 mm	4x k1	30x l1
1x p25 Ø3.5x16 mm	1x p35 Ø3.5x10 mm	5x p38 Ø3.5x16 mm	8x r15 Ø12x10.5 mm #12	8x r42	1x t25 300 mm	1x w37 CL 300 mm	1x w37 CR 300 mm	1x w37 DL 300 mm
1x w37 DR 300 mm	4x s1	1x z1	1x n26 1	1x p38 Ø3.5x16 mm				

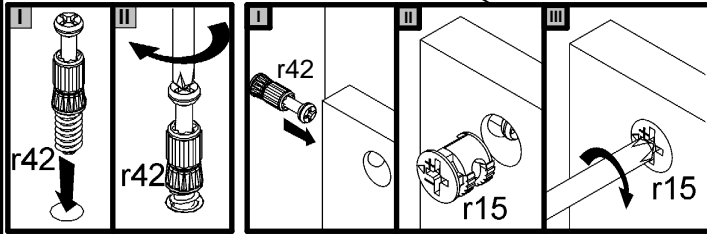
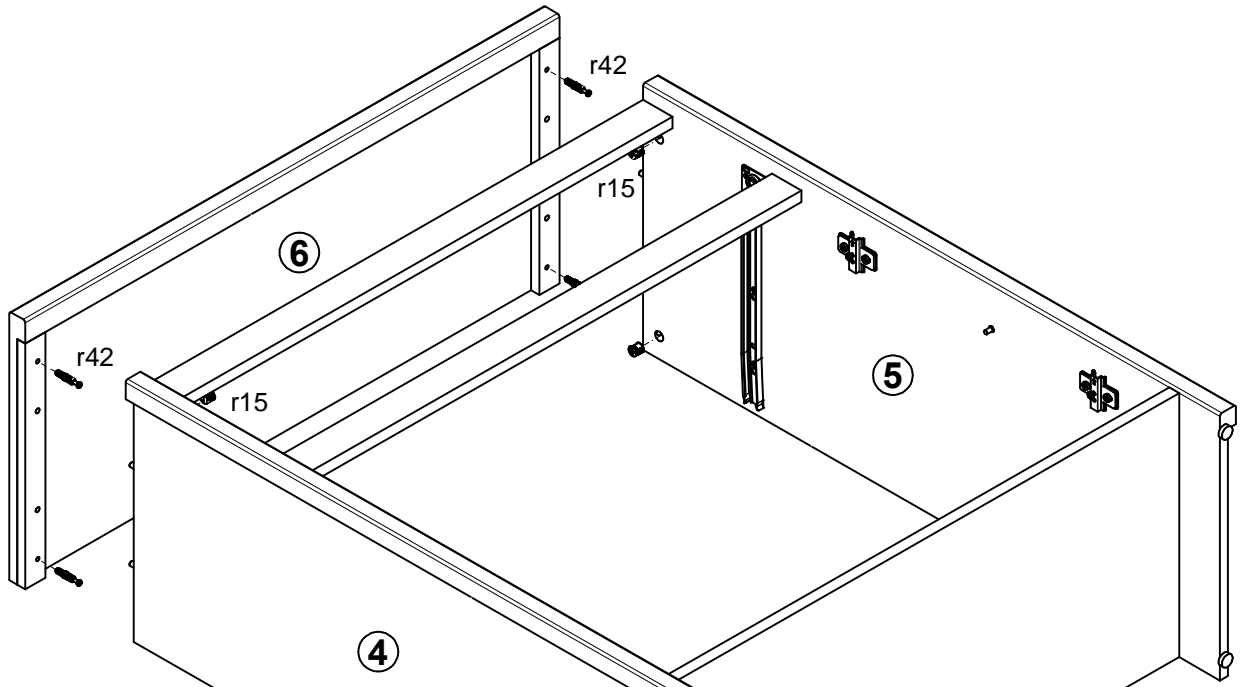
1 §2



2 §6



3



4

