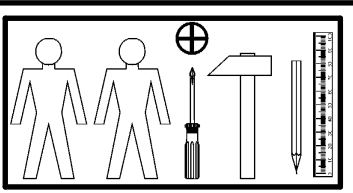
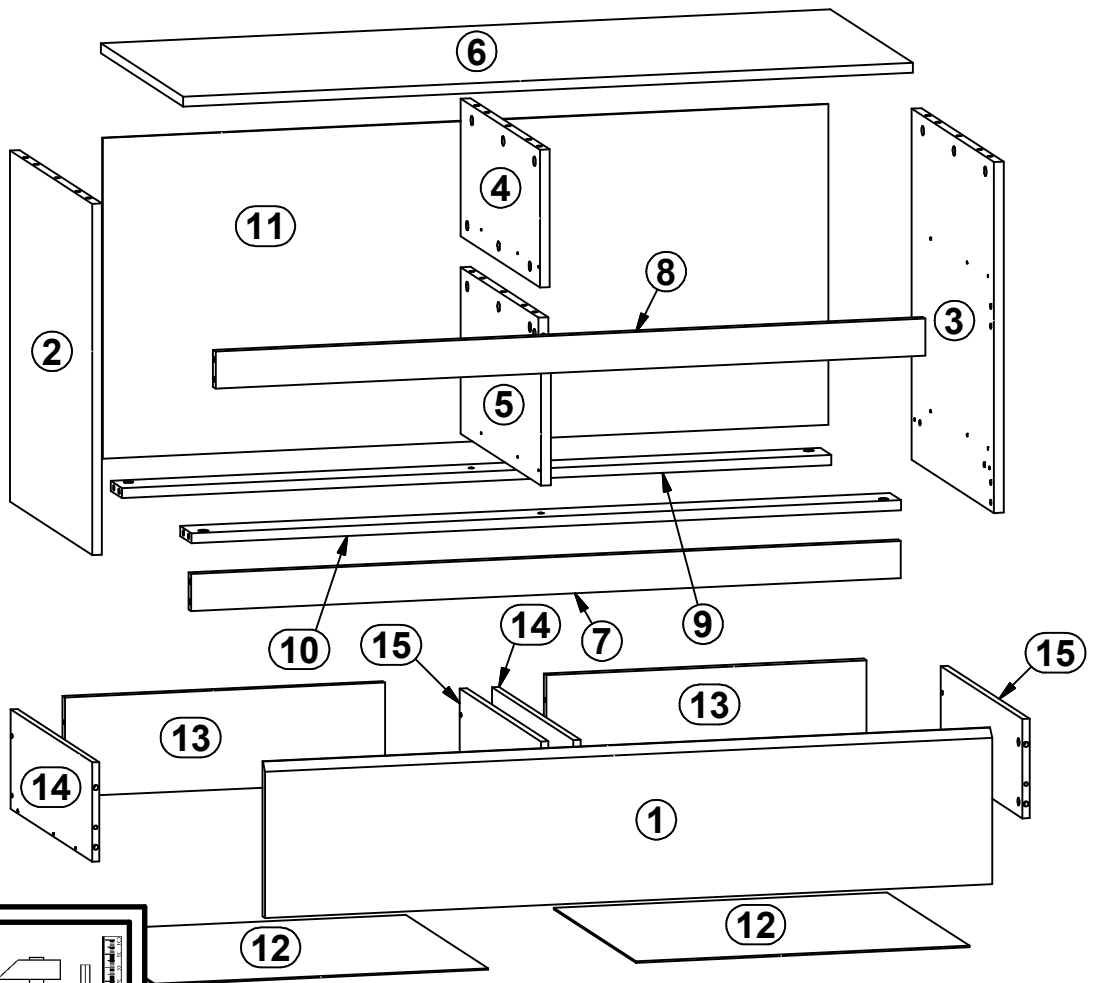
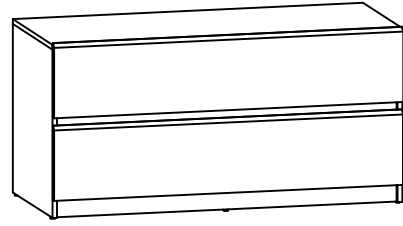
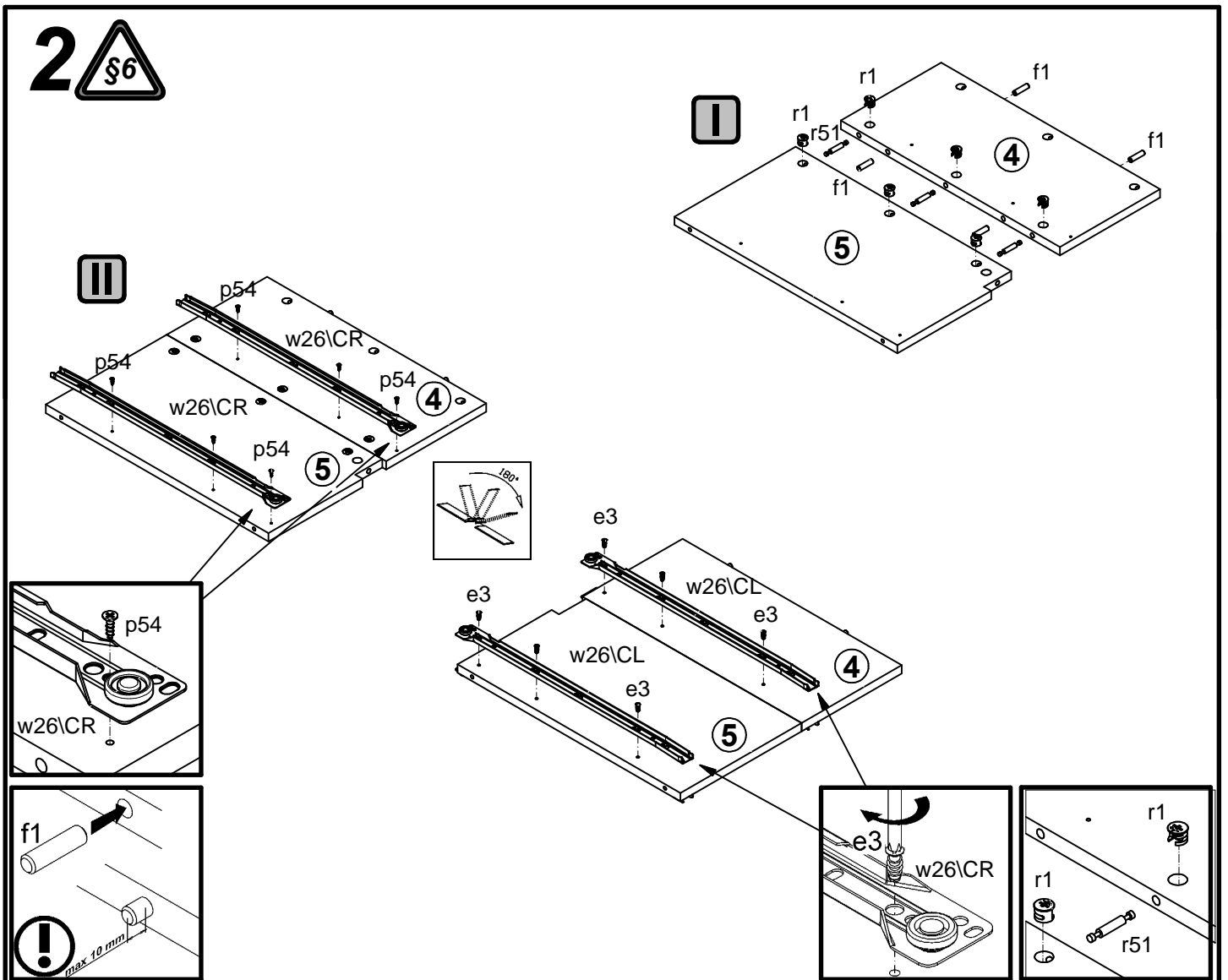
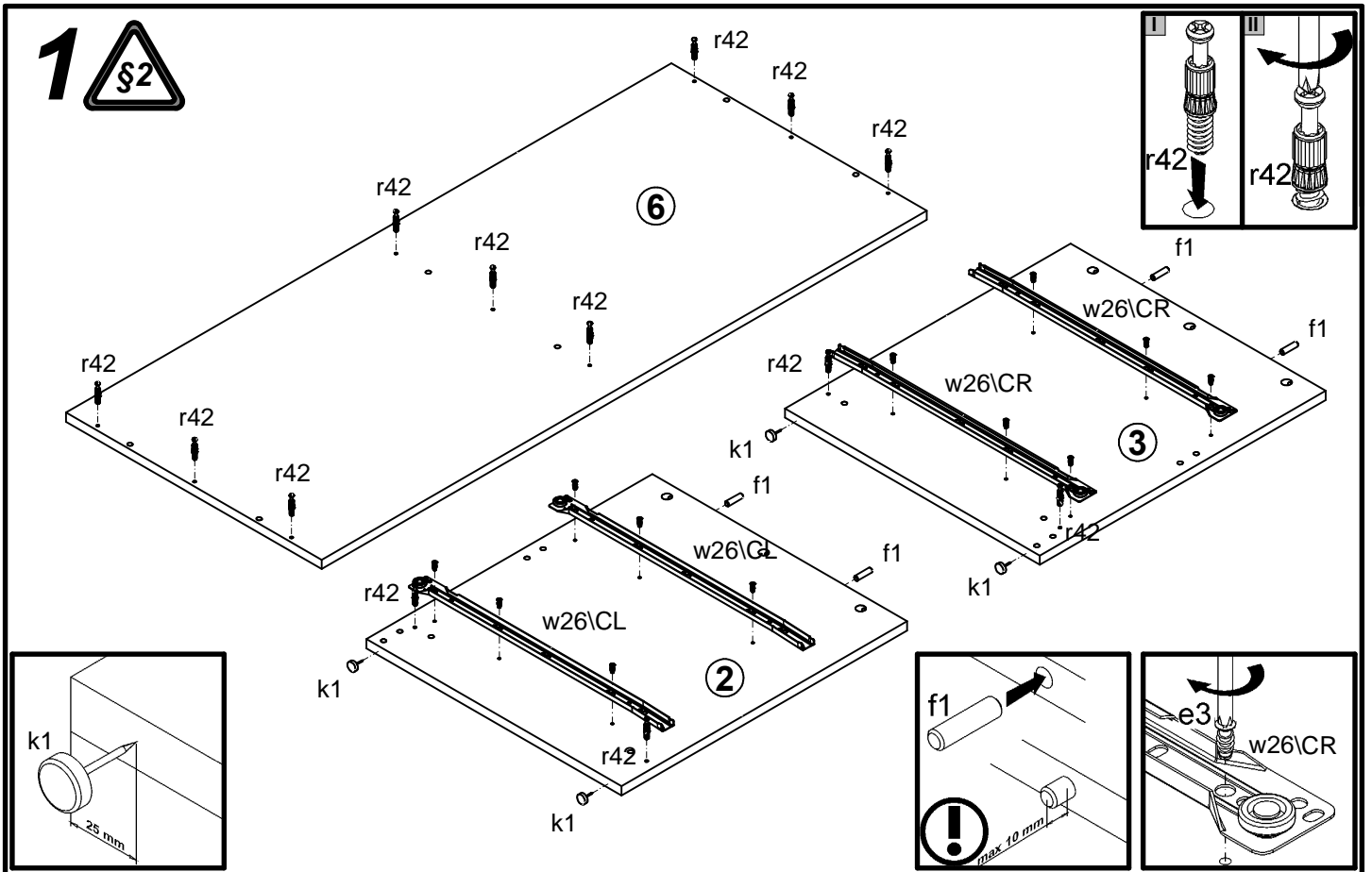


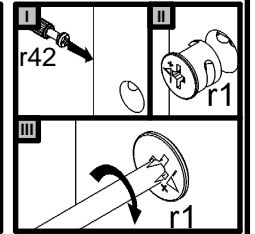
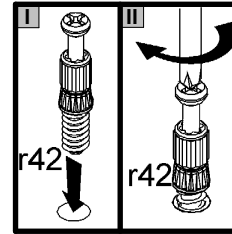
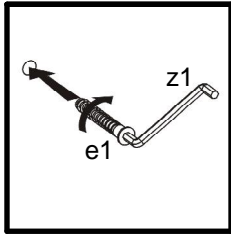
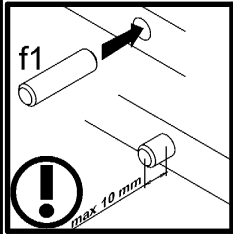
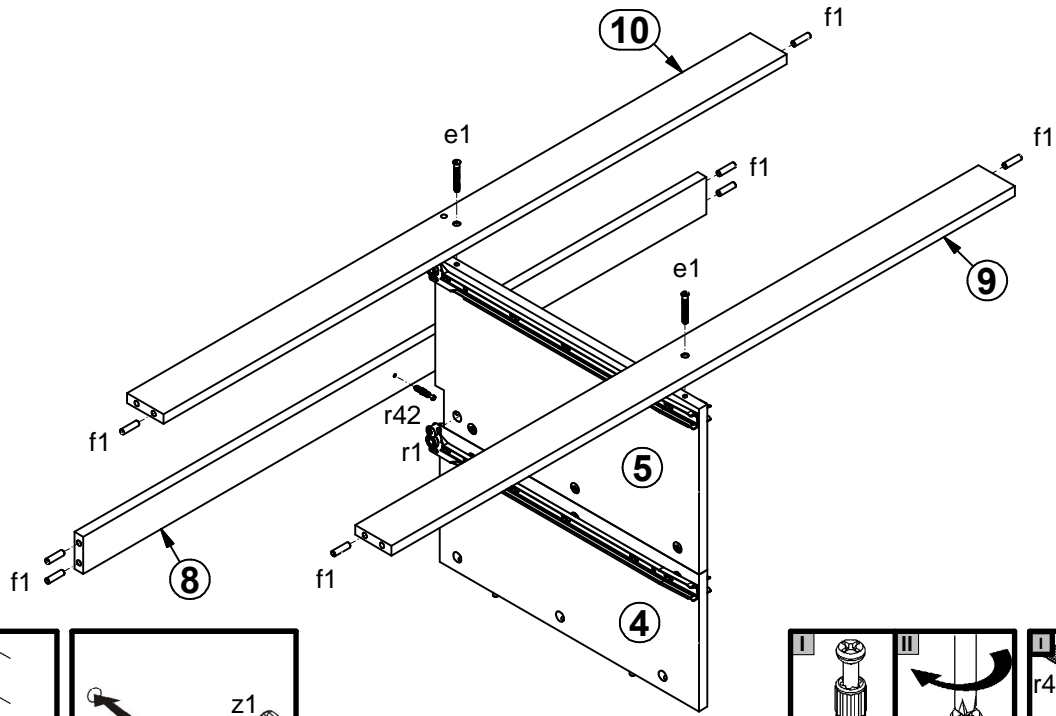
A	B	C	D
1	S321-007	1195	250
2	S321-101	566	505
3	S321-102	566	505
4	S321-115	222	485
5	S321-116	268	493
6	S321-202	1199	506
7	S321-415	1166	60
8	S321-416	1166	60
9	S321-417	1166	68
10	S321-418	1166	68
11	S321-908	1193	517
12	S321-909	548	505
13	ZS3-5621	526	160
14	ZS4-539	500	160
15	ZS4-540	500	160



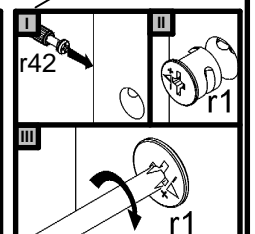
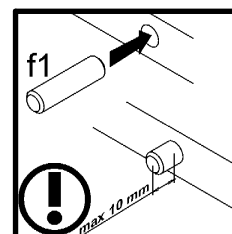
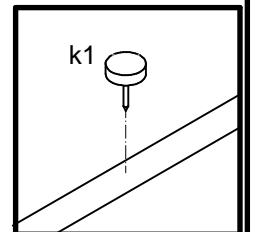
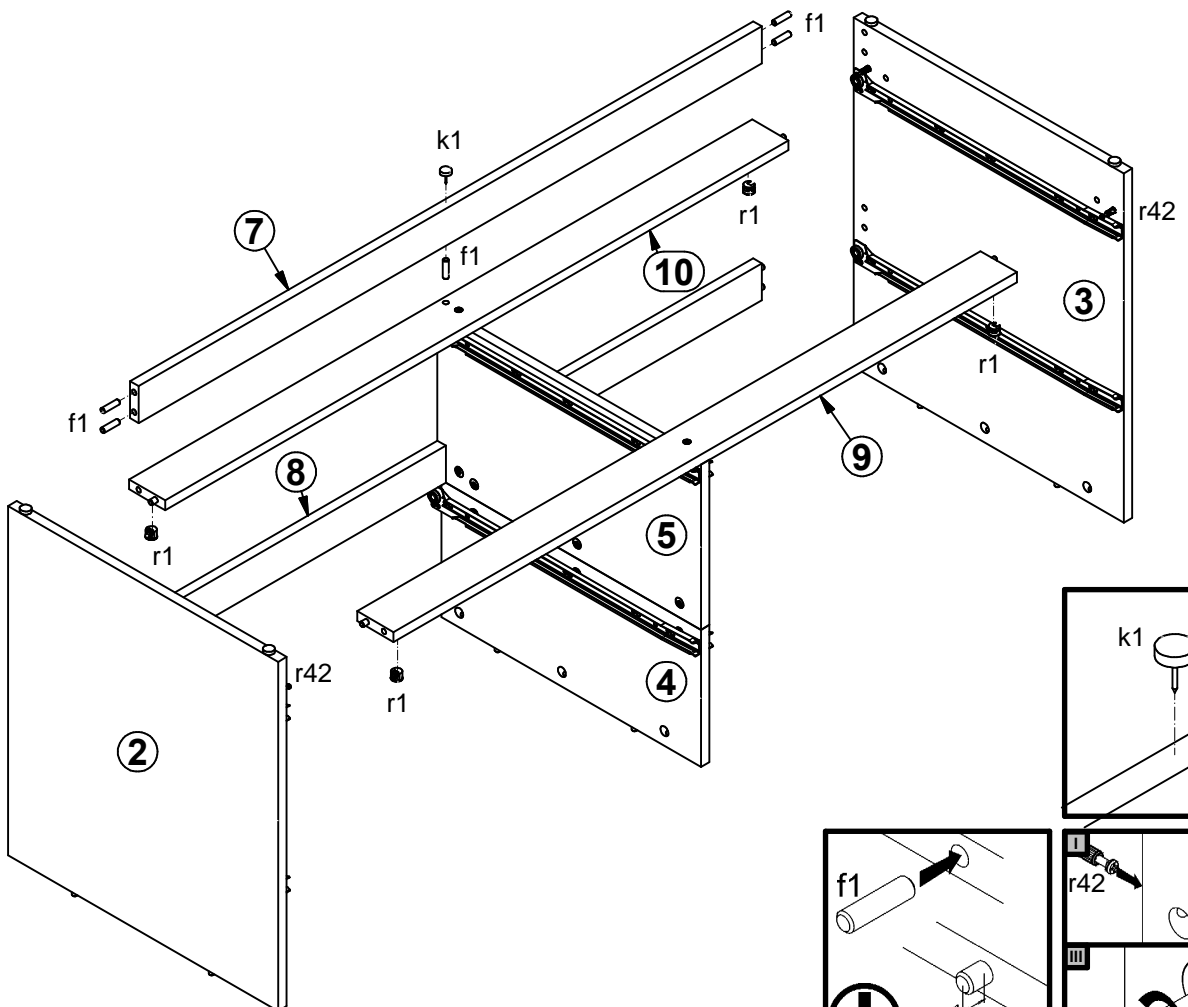
2x Ø7x50 mm e1	18x Ø6x13 mm e3	24x Ø5x9 mm e19	21x Ø8x30 mm f1	8x Ø6x30 mm f9	16x Ø6.5x40 mm f25	5x k1	40x l1	1x n26
8x silikon o21	21x Ø3.5x16 mm p38	6x Ø3x12 mm p54	20x Ø15x12 mm #16 r1	16x Ø12x10.5 mm #12 r15	30x 20-11 r42	3x r51	3x Ø16 s2	4x 500 mm w26\CL
4x 500 mm w26\CR	4x 500 mm w26\DL	4x 500 mm w26\DR	1x z1					



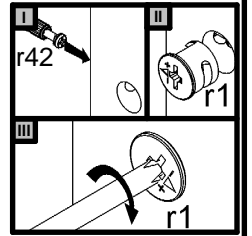
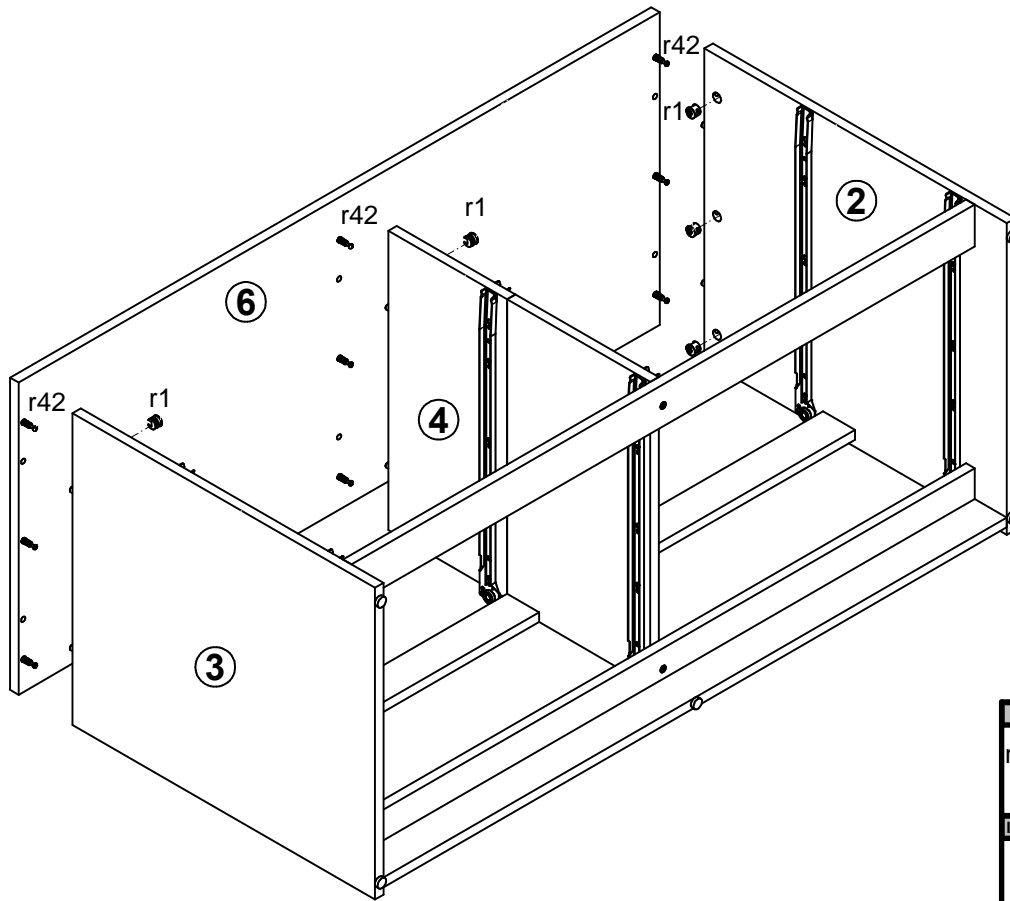
# 3



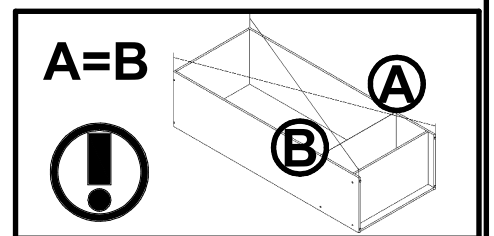
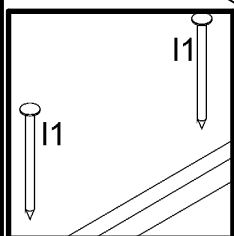
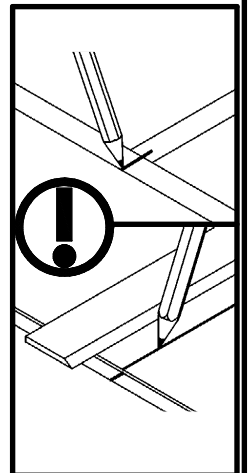
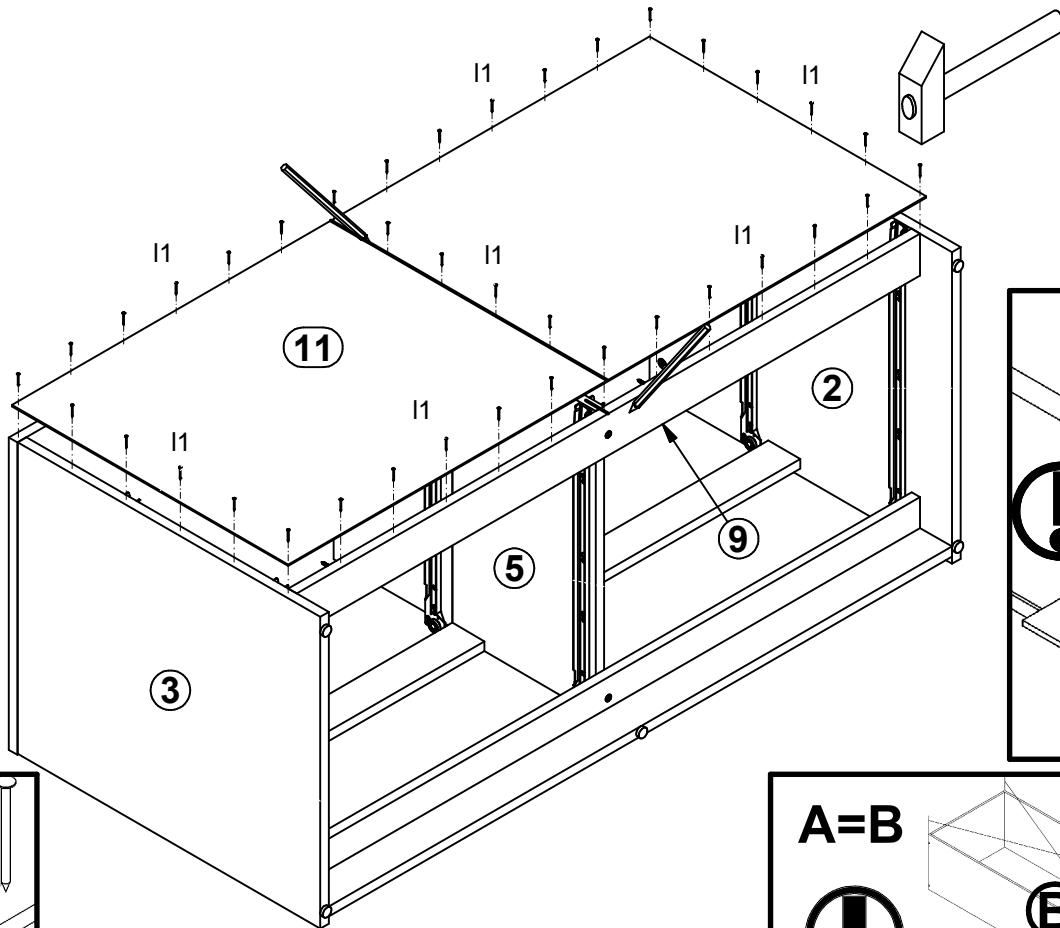
# 4



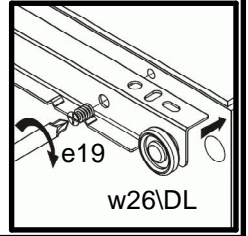
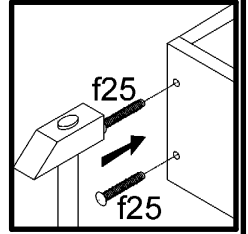
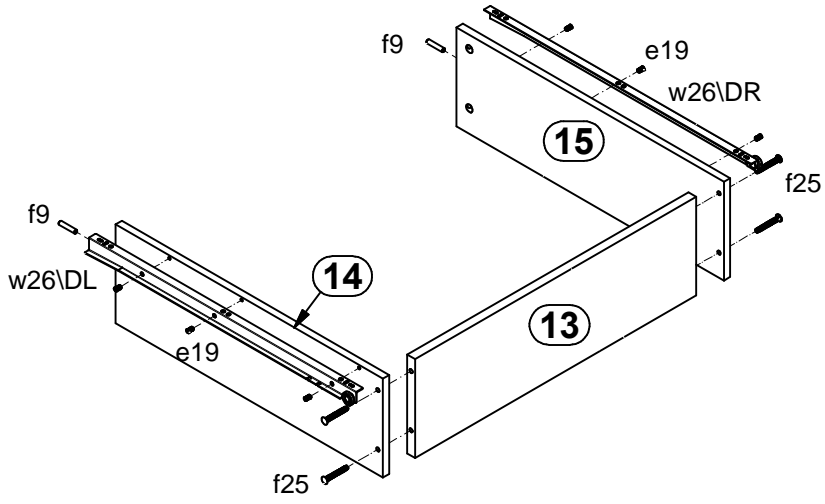
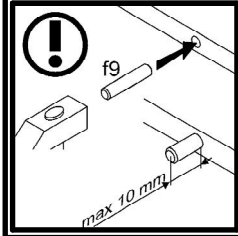
# 5



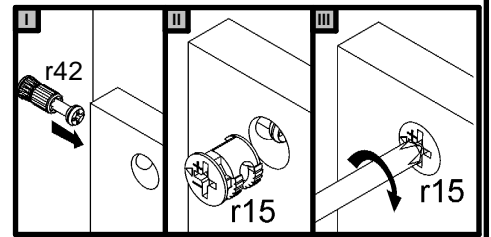
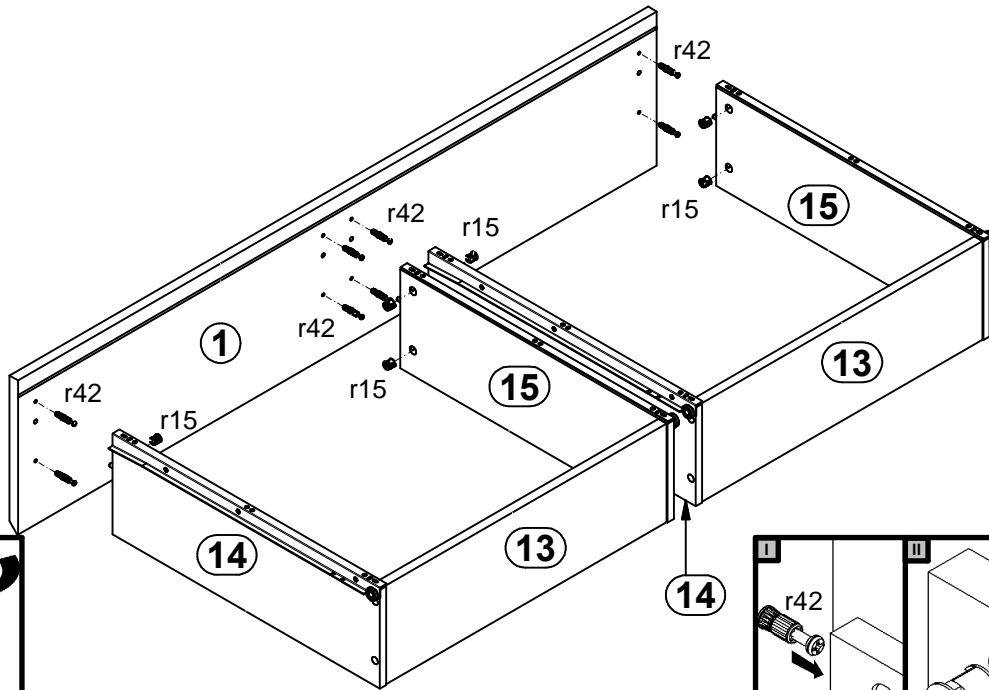
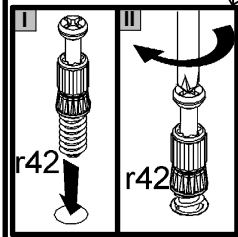
# 6



# 7



# 8



# 9

