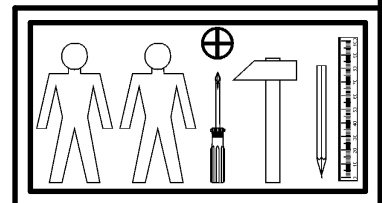
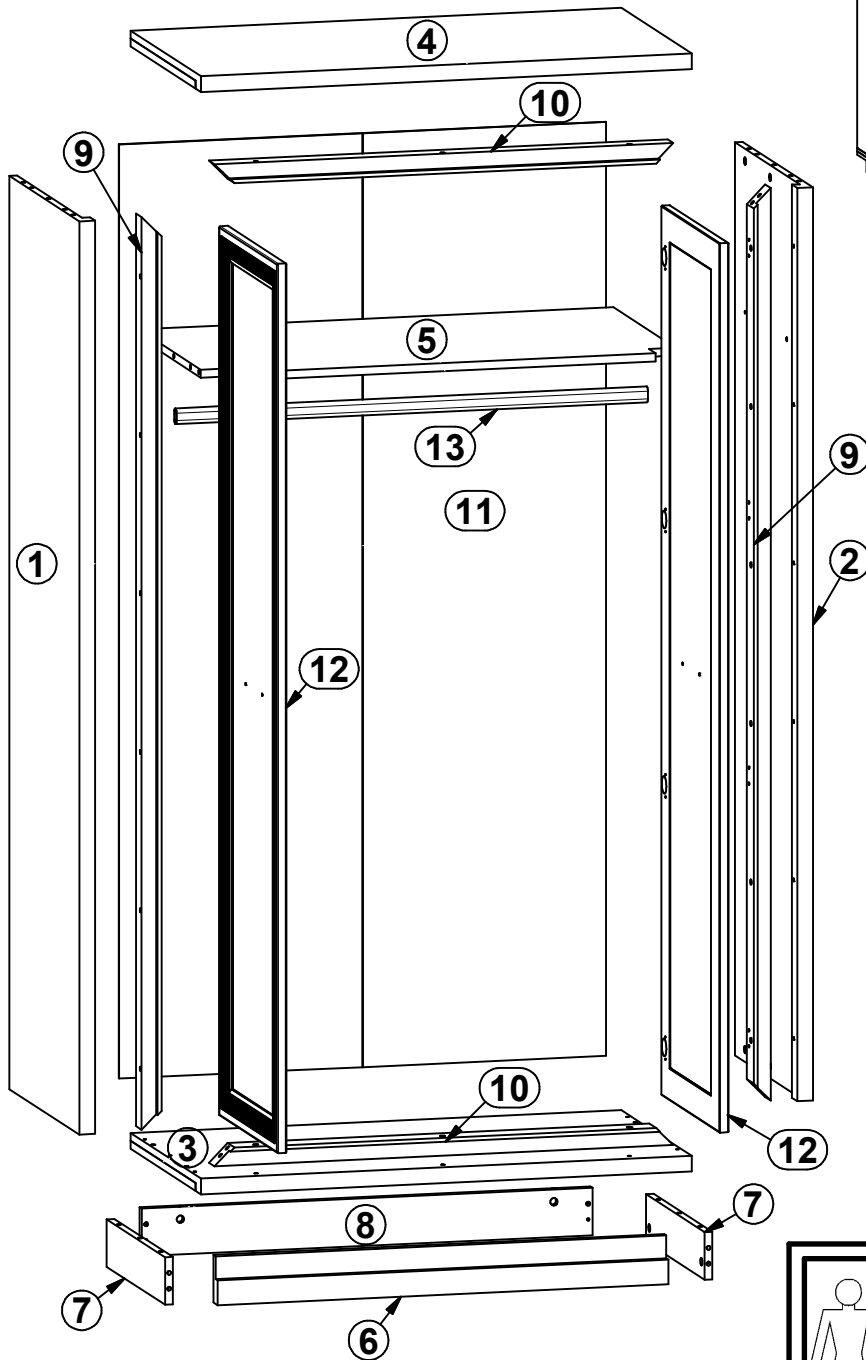
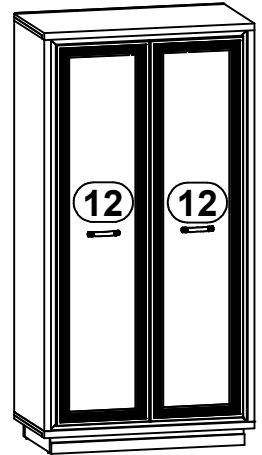


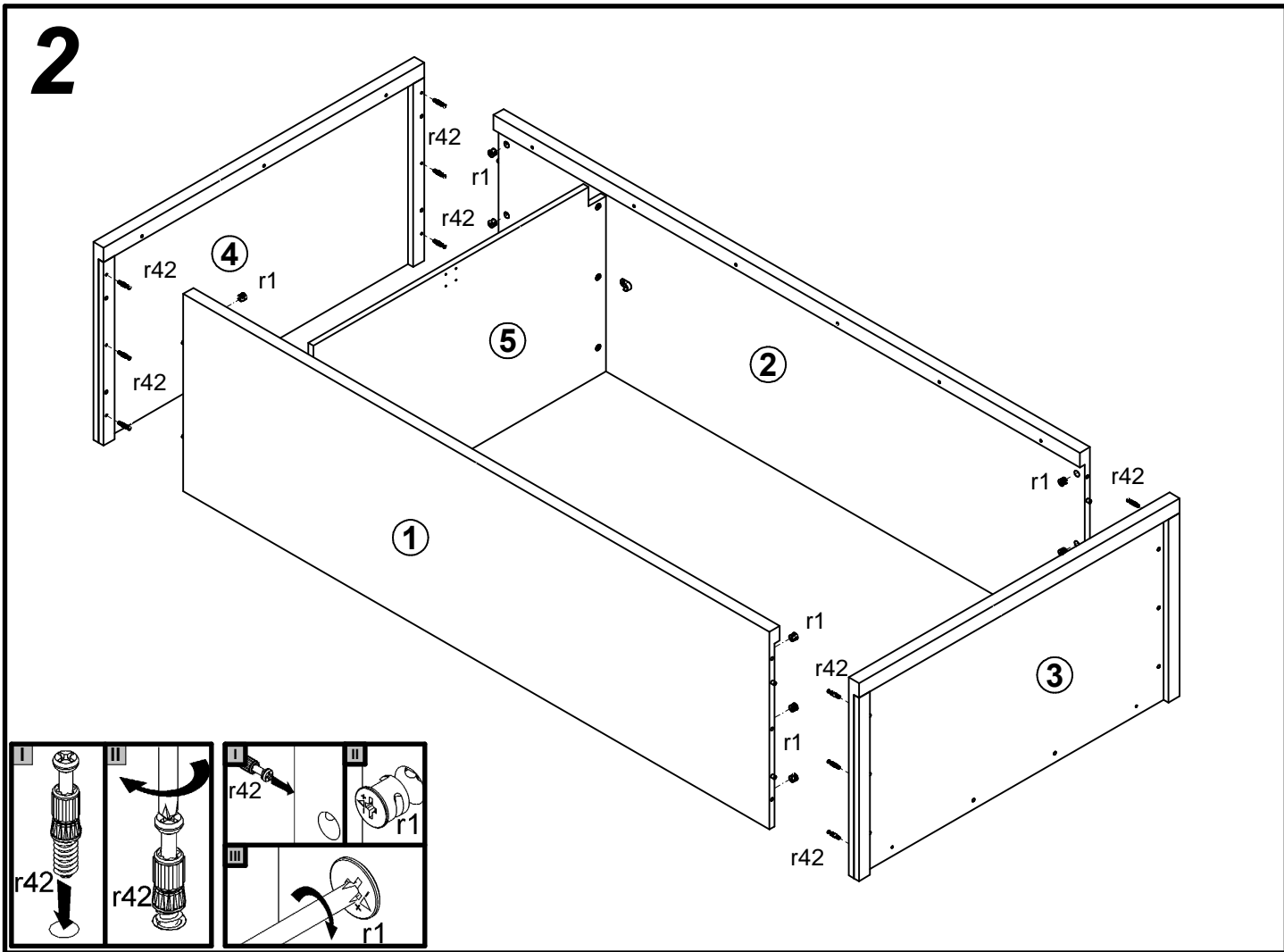
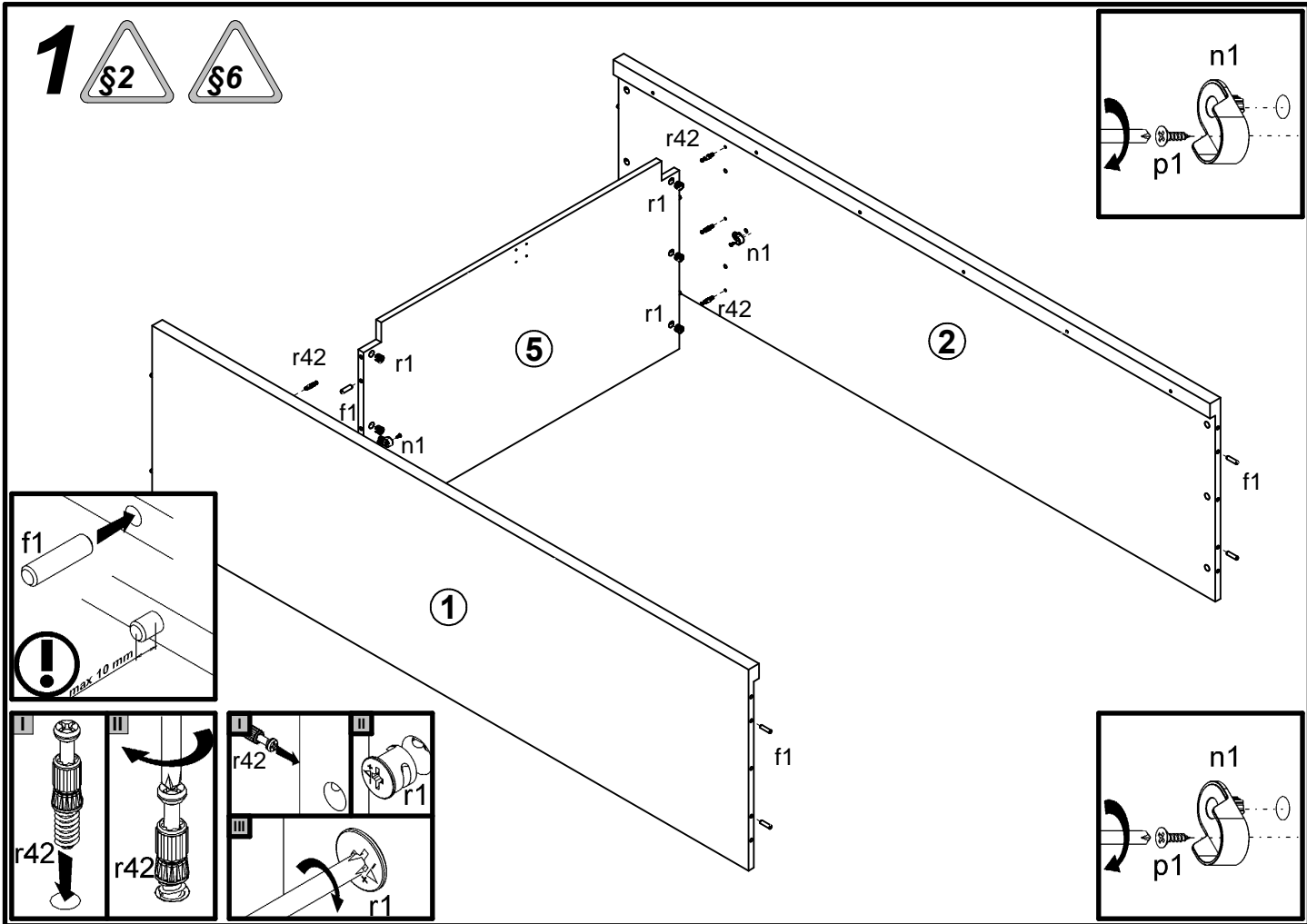
MAROCCO

S160-SZF2D

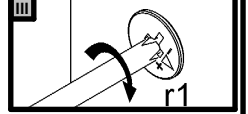
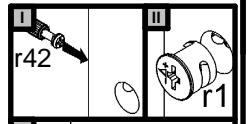
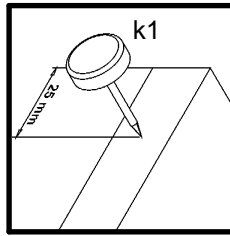
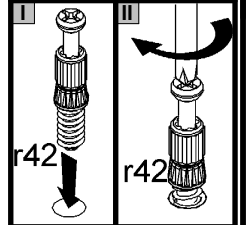
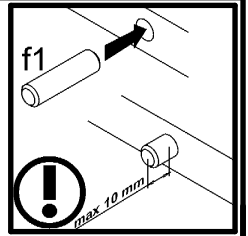
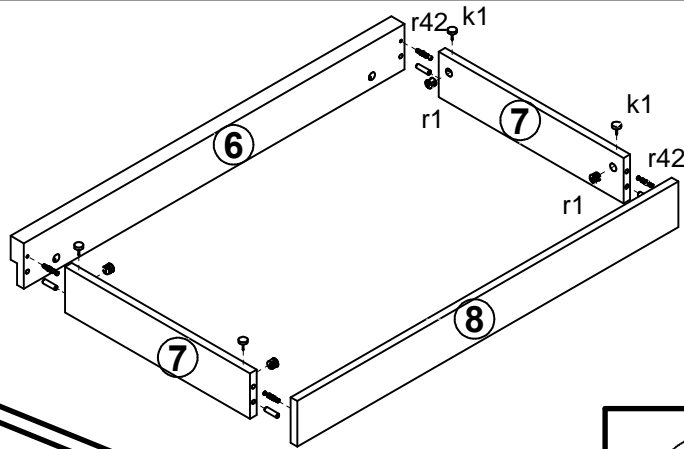
A	B	C	D	A	B	C	D		
1	S131-106	1844	539	1/4	8	S131-406	927	96	2/4
2	S131-107	1844	539	1/4	9	S131-571	1843	54	3/4
3	S131-204	1009	540	2/4	10	S131-573	943	54	3/4
4	S131-205	1009	540	2/4	11	S131-903	1886	1001	1/4
5	S131-303	976	531	2/4	12	S160-002	1796	446	4/4
6	S131-403	927	96	2/4	13	dr-969	969	30	2/4
7	S131-404	450	96	2/4					



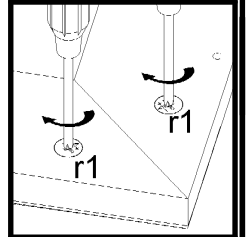
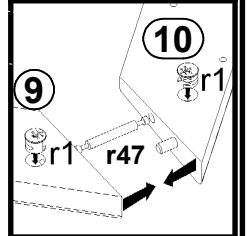
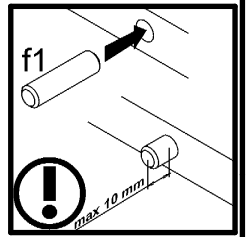
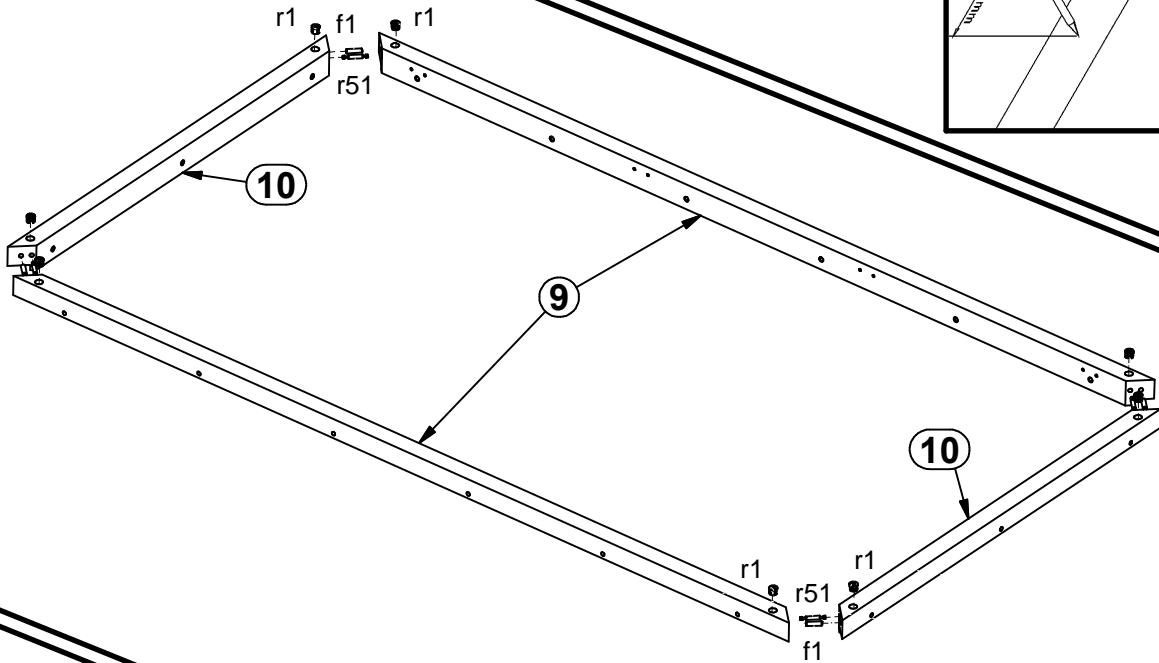
18x φ7x60 mm e8	30x φ8x30 mm f1	4x k1	65x l1	2x n1	2x φ3,5x13 mm p1	34x φ1,5x12mm #16 r1	26x r42	4x r51
14x s1	18x ø16 s2	1x z1	1x n26\1	1x φ3,5x16 mm p38				
8x a29	8x b13	2x 138 mm c33\42	16x φ6,3x13 mm e2	4x M4x12 mm j3	16x φ3,5x15 mm p51			



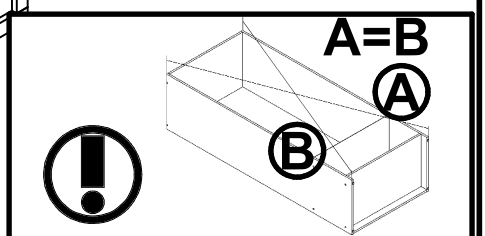
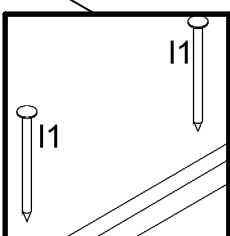
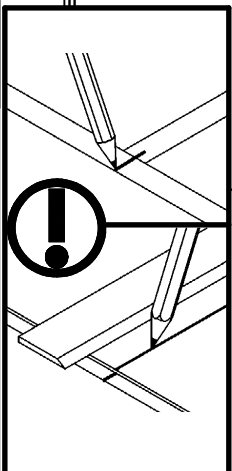
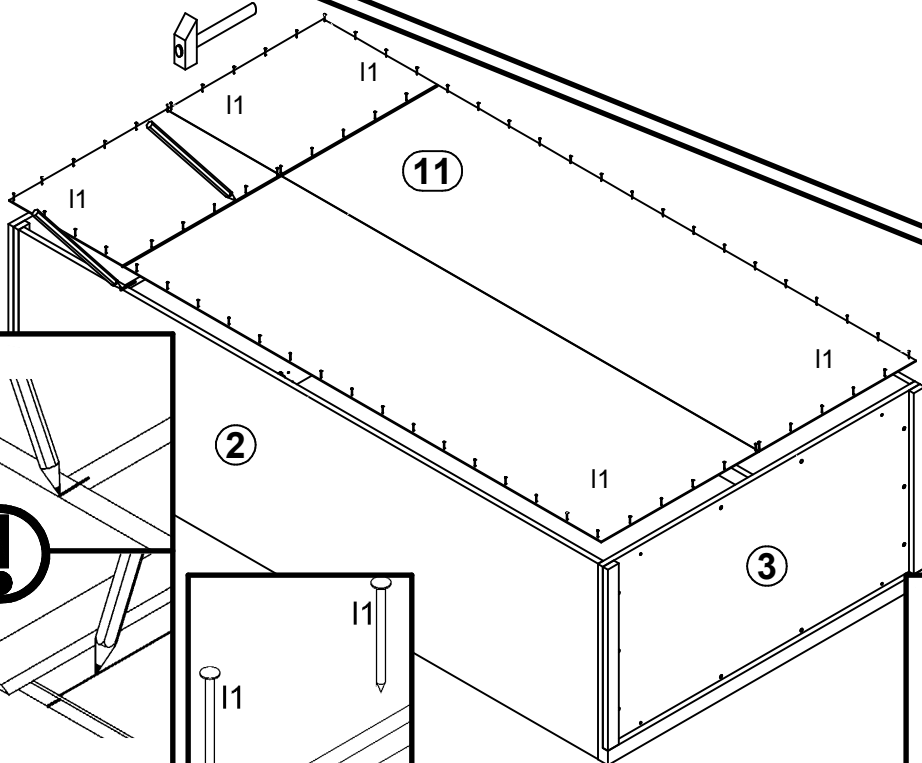
3



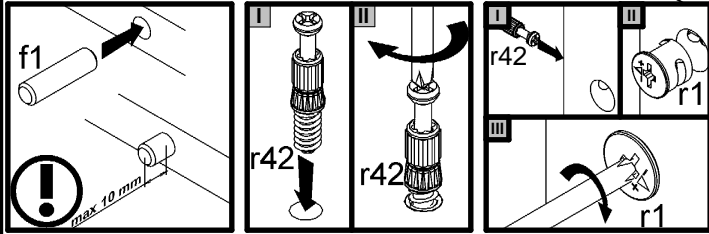
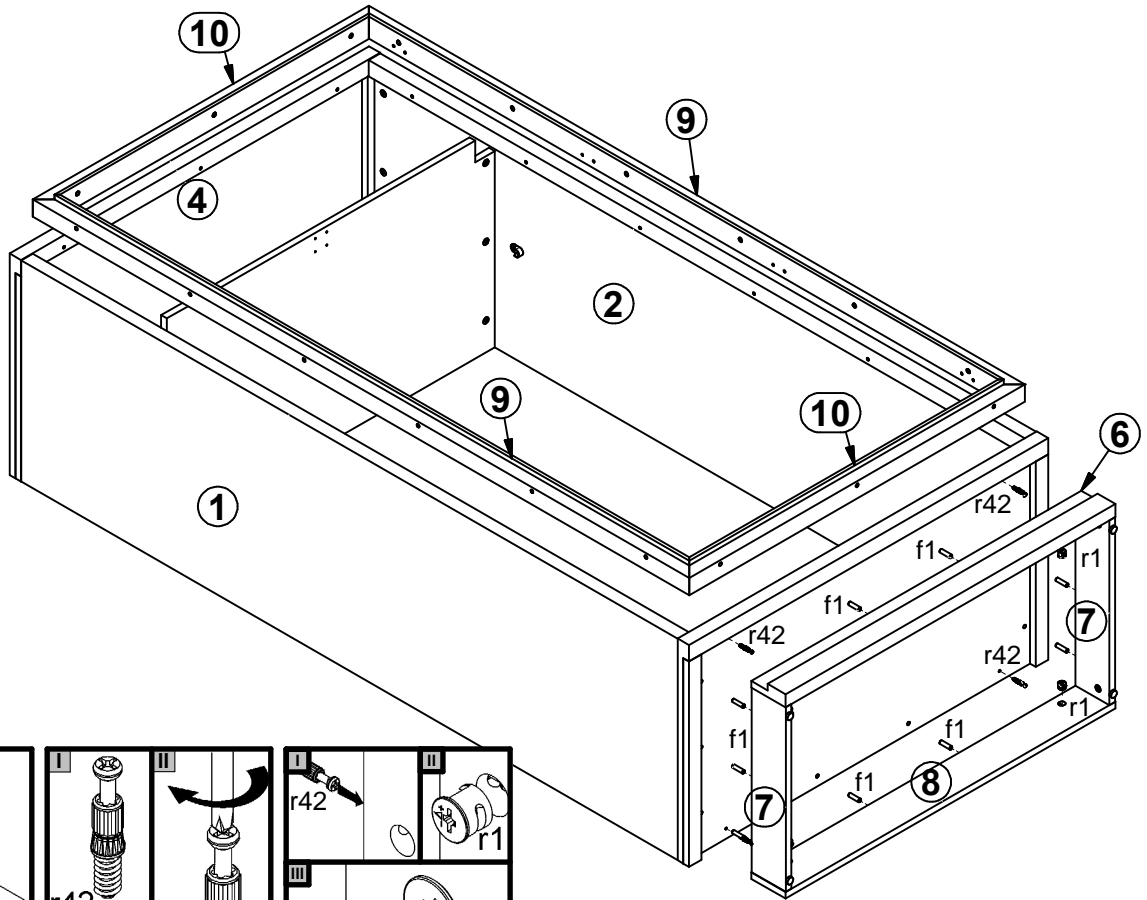
4



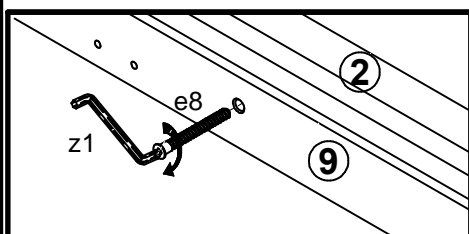
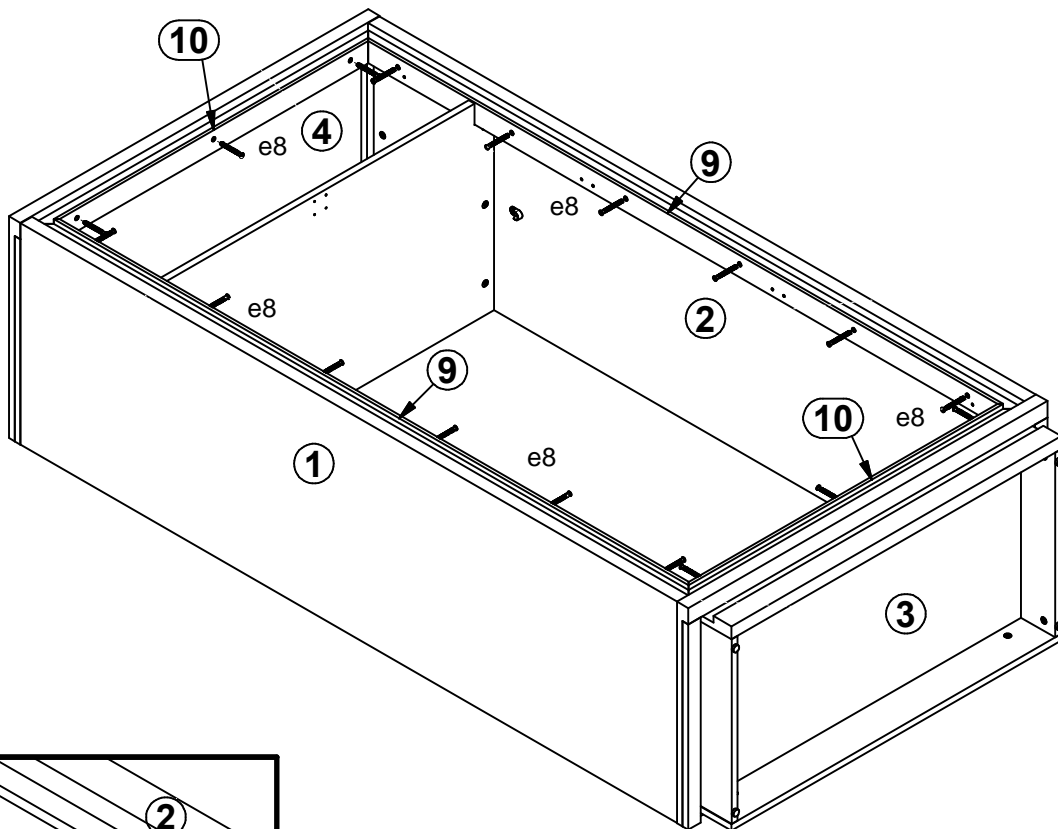
5



6



7



8

