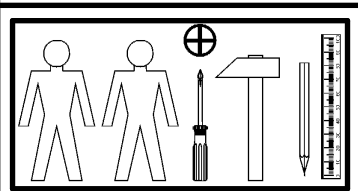
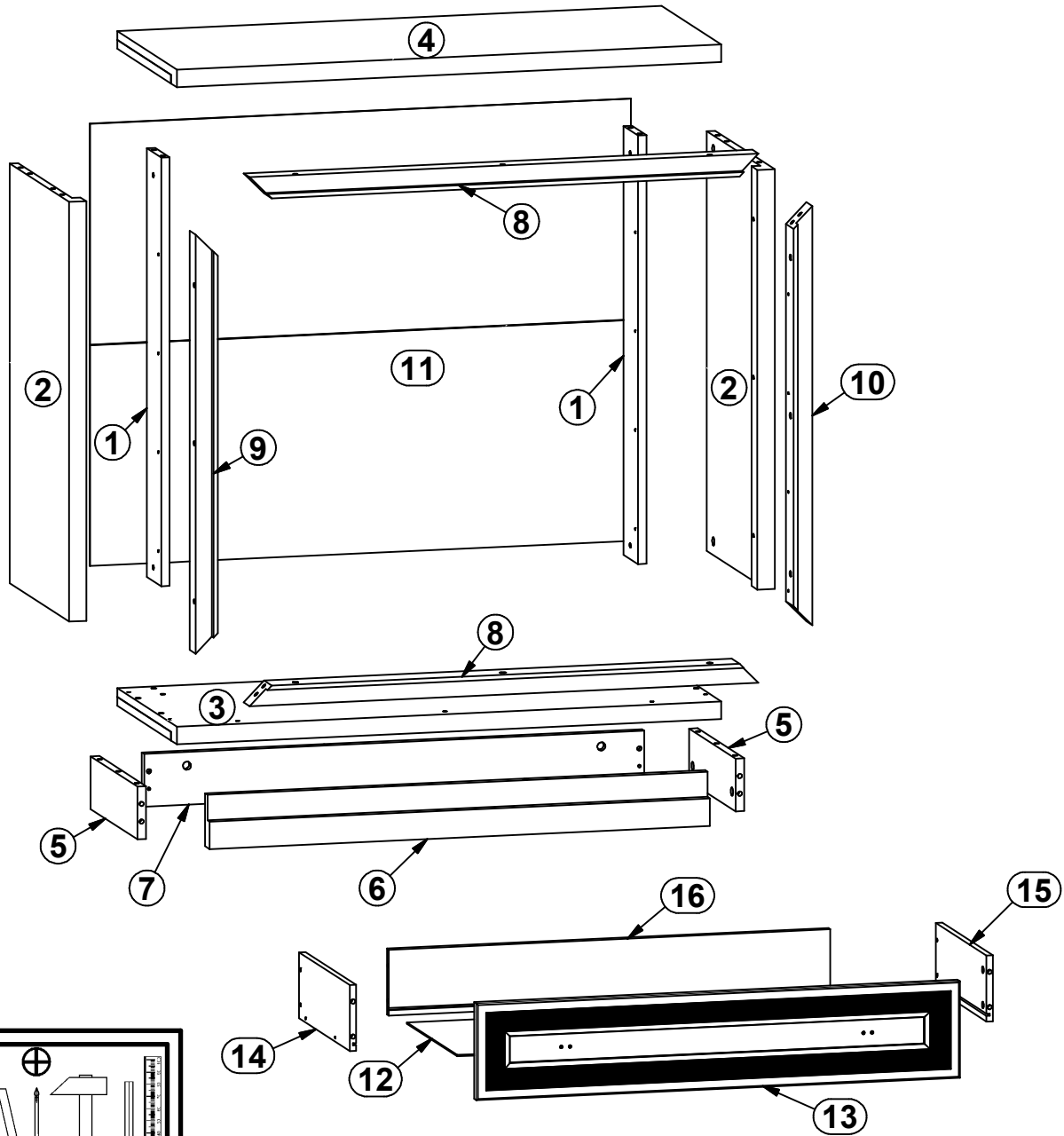
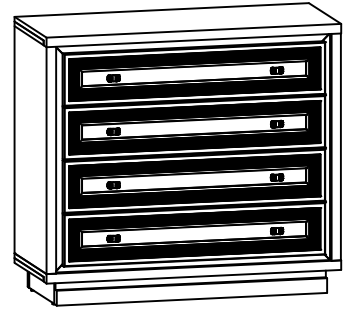


# MAROCCO

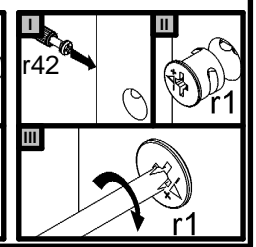
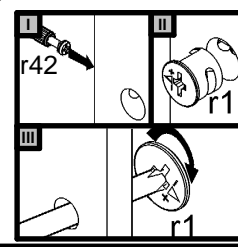
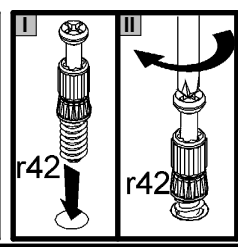
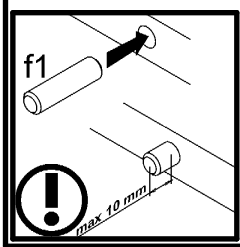
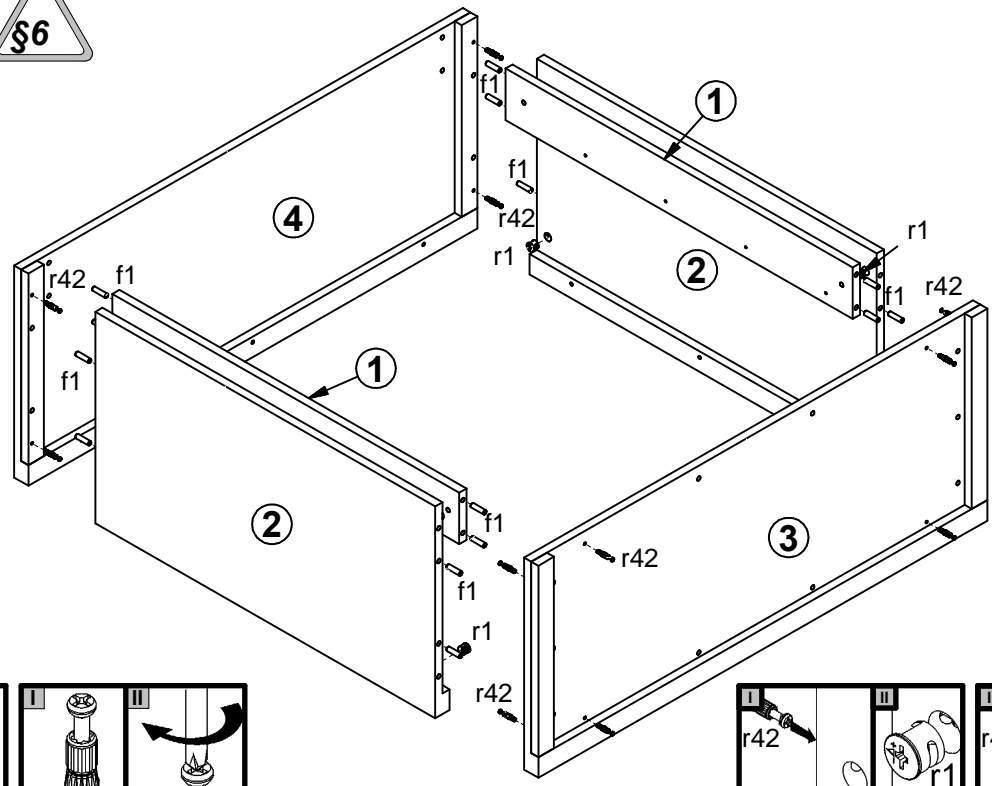
# S160-KOM4S

A	B	C	D	A	B	C	D		
1	S131-109	780	100	2/4	9	S131-579	763	54	3/4
2	S131-114	764	411	1/4	10	S131-580	763	54	3/4
3	S131-210	1009	412	2/4	11	S131-908	1002	805	2/4
4	S131-211	1009	412	2/4	12	S131-909	829	348	1/4
5	S131-402	322	96	2/4	13	S160-005	896	176	4/4
6	S131-403	927	96	2/4	14	ZS2-511	350	120	1/4
7	S131-406	927	96	2/4	15	ZS2-512	350	120	1/4
8	S131-573	943	54	3/4	16	ZS2-5542	818	120	1/4

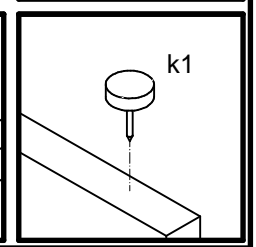
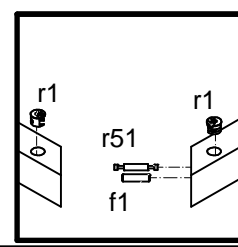
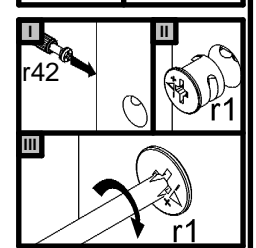
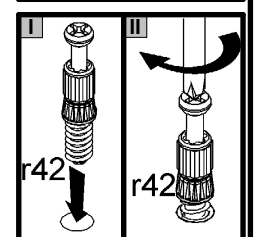
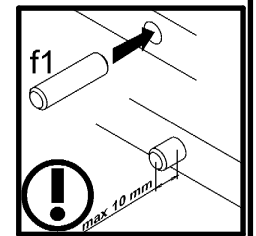
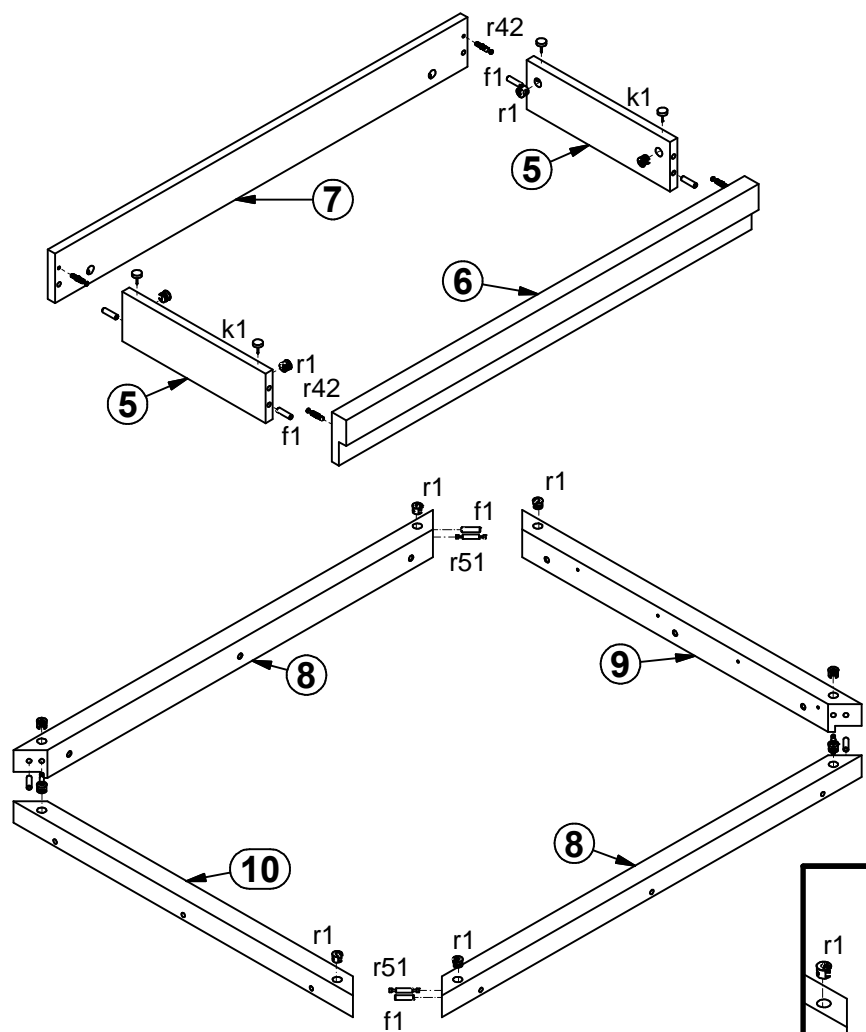


16x φ5x9 mm e19	16x φ6x13 mm e3	12x φ7x60 mm e8	34x φ8x30 mm f1	16x φ6,5x40 mm f25	4x k1	50x l1	8x φ3,5x16 mm p25	24x φ1,5x12mm #16 r1
16x φ12x10,5mm #12 r15	32x r42	4x r51	4x 333 mm t19	4x 350 mm w45\CL	4x 350 mm w45\CR	4x 350 mm w45\DL	4x 350 mm w45\DR	1x z1
1x n26\1	1x φ3,5x16 mm p38	8x 16 mm c334\1	16x M4x9 mm j2					

**1**  

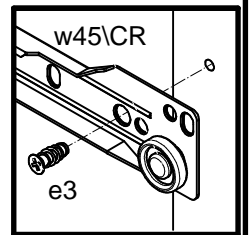
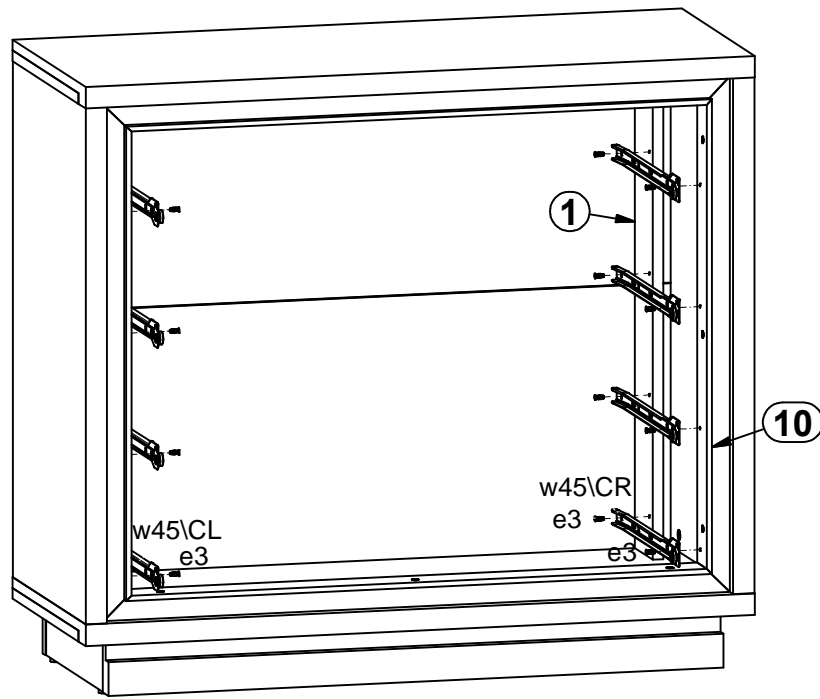
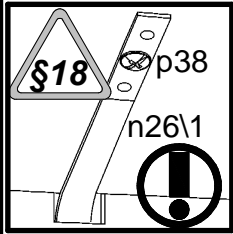


**2**





# 5



# 6

