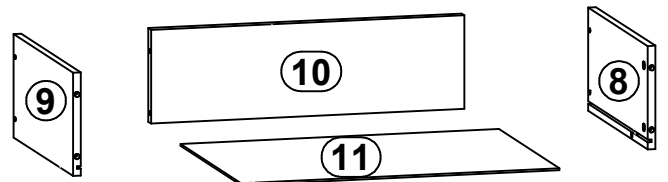
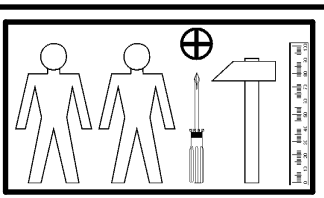
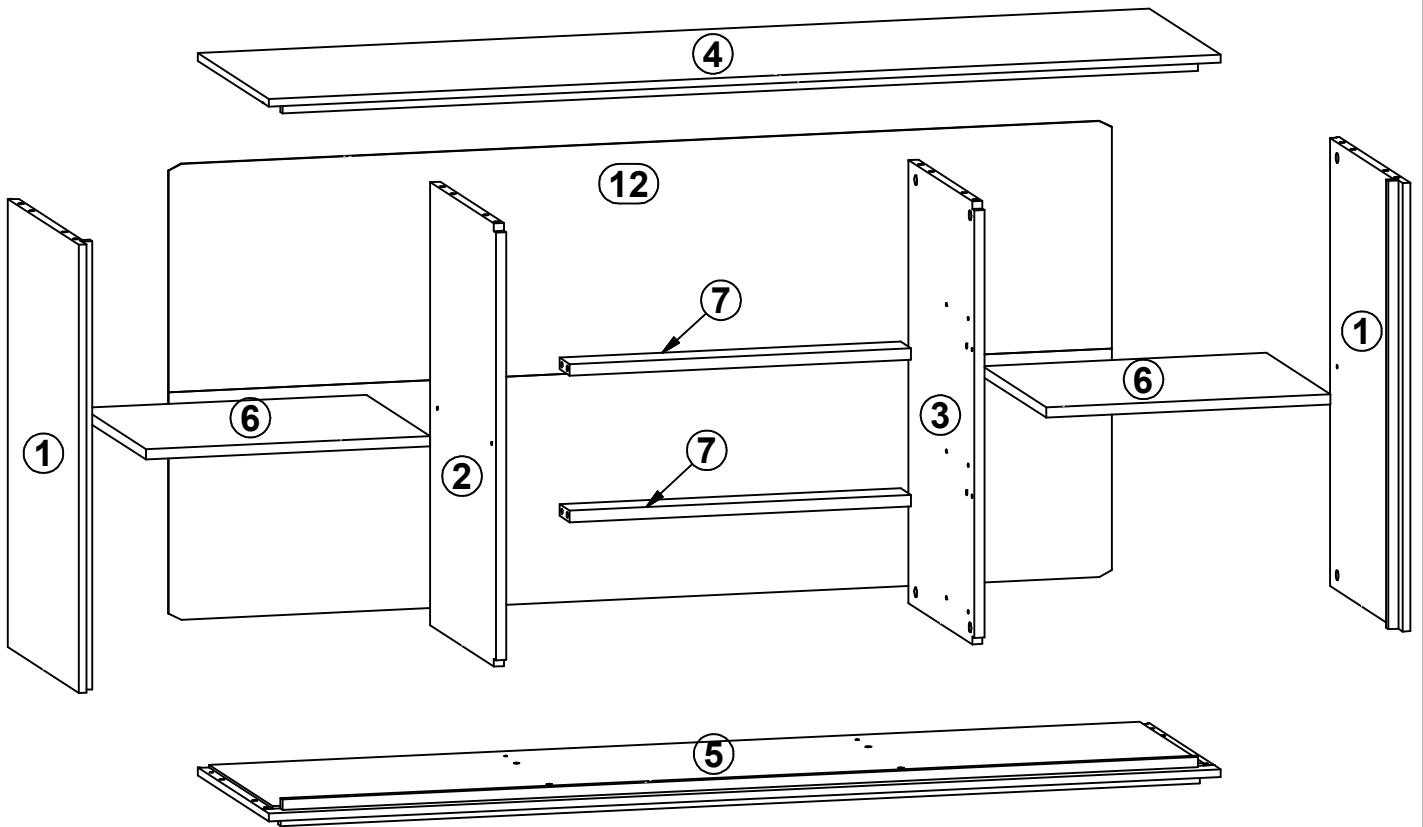
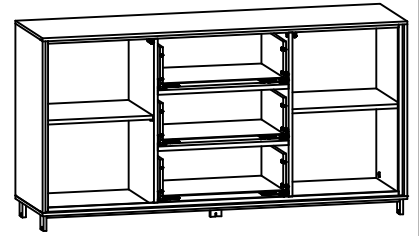


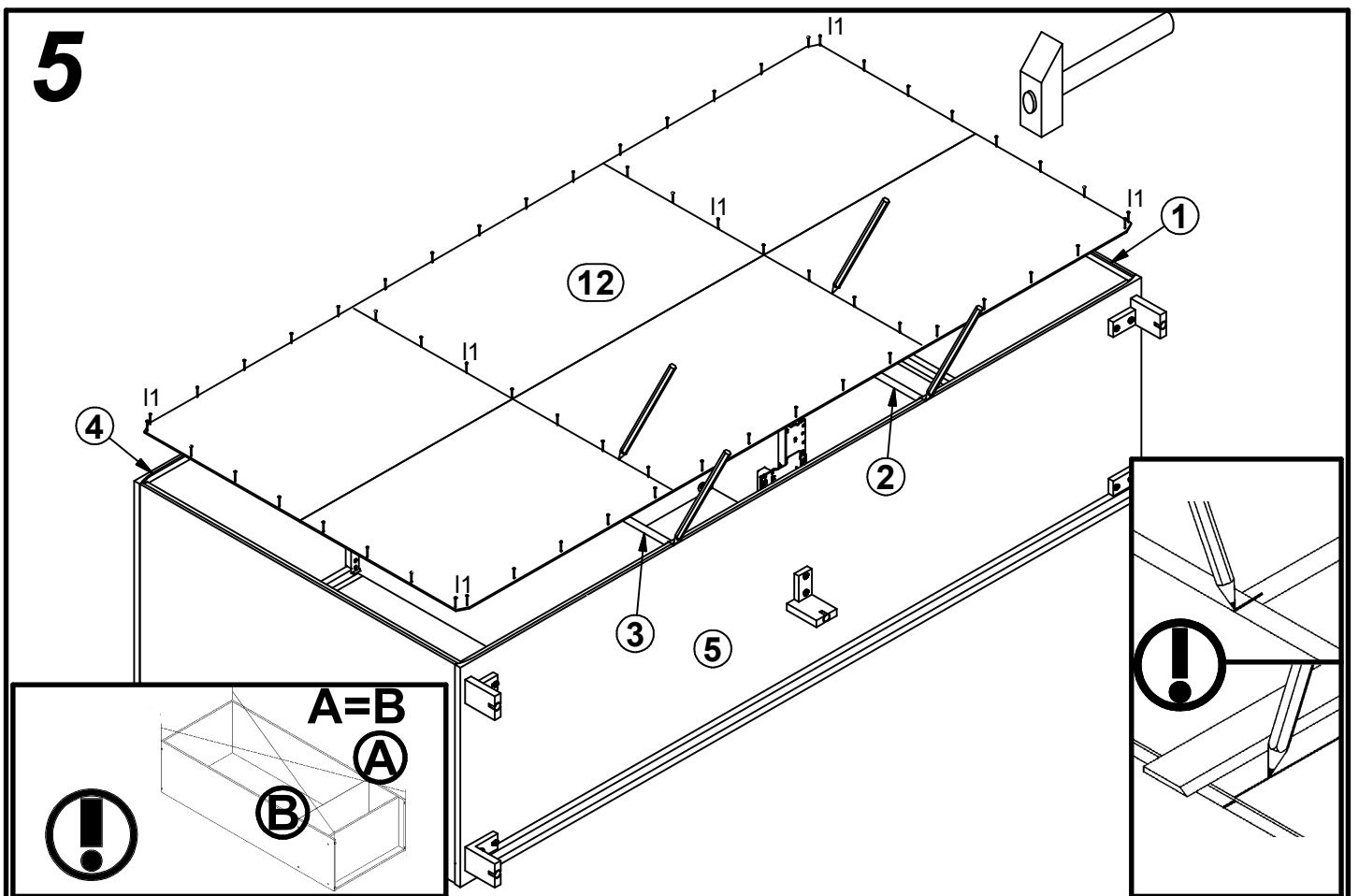
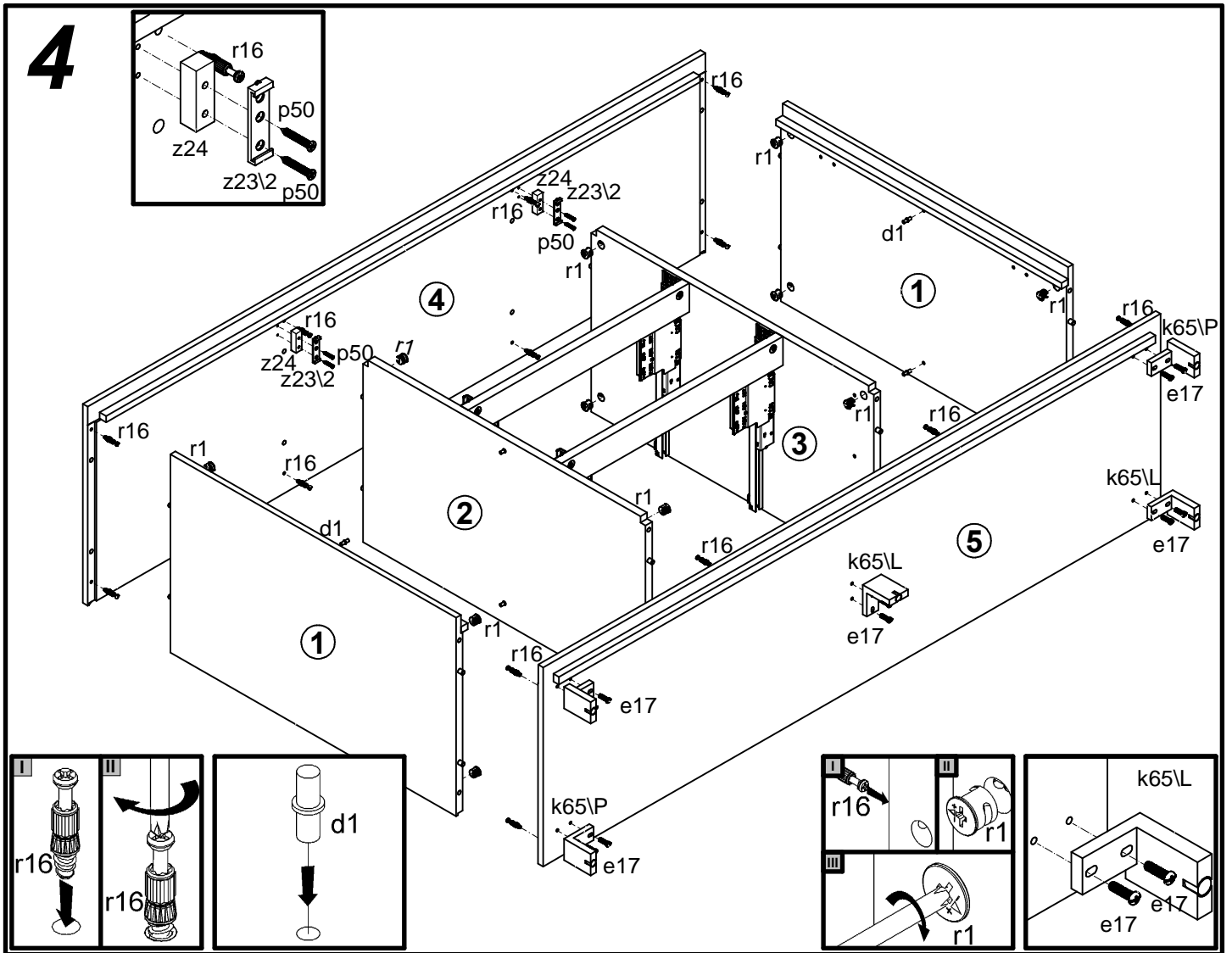
MATEO

S74-KOM2D3S/8/15

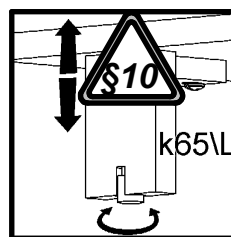
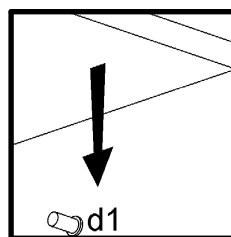
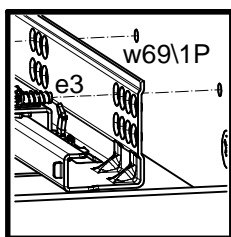
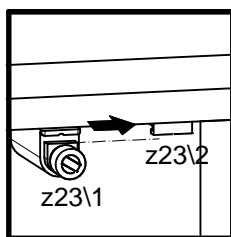
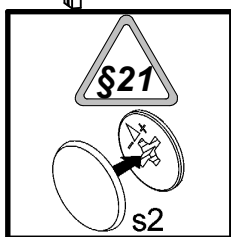
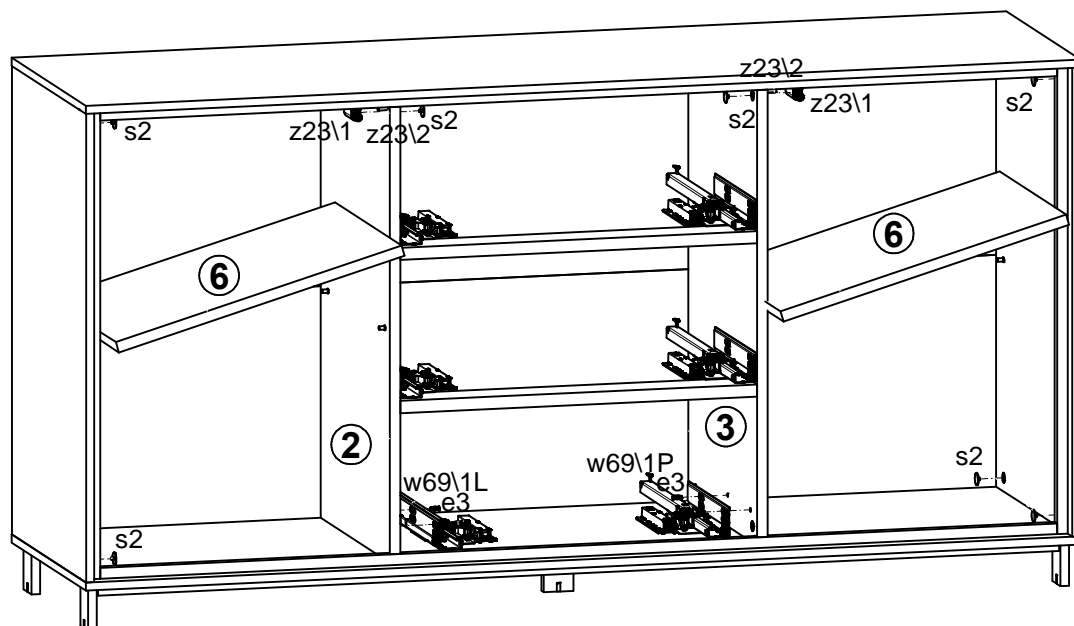
A	B	C	D
1	S74-103	694	417 2/3
2	S74-104	686	388 2/3
3	S74-113	686	388 2/3
4	S74-202	1500	418 1/3
5	S74-212	1500	418 1/3
6	S74-312	448	375 2/3
7	S74-401	538	60 2/3
8	S74-512	350	160 1/3
9	S74-513	350	160 1/3
10	S74-514	494	145 2/3
11	S74-909	502	357 1/3
12	S74-9907	1487	707 1/3



8x φ5x17 mm d1	12x φ6x13 mm e3	10x φ6.3x20 mm e17	20x φ8x30 mm f1	12x φ6.5x40 mm f25	3x k65\L	2x k65\P	60x l1	12x φ3.5x16 mm p38
4x φ2.9x24 mm p50	2x φ3x12 mm p54	20x φ1.5x12mm #16 r1	12x φ12x10.5mm #12 r15	32x r16	10x φ16 s2	3x 360 mm w69\1L	3x 860 mm w69\1P	3x w70\1L
3x w70\1P	3x w70\2L	3x w70\2P	2x z23\1	2x z23\2	2x z23\3	2x z24	1x n26\1	1x φ3.5x16 mm p38



6



7

