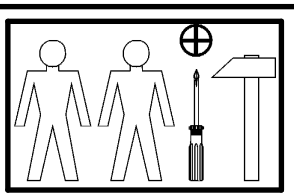
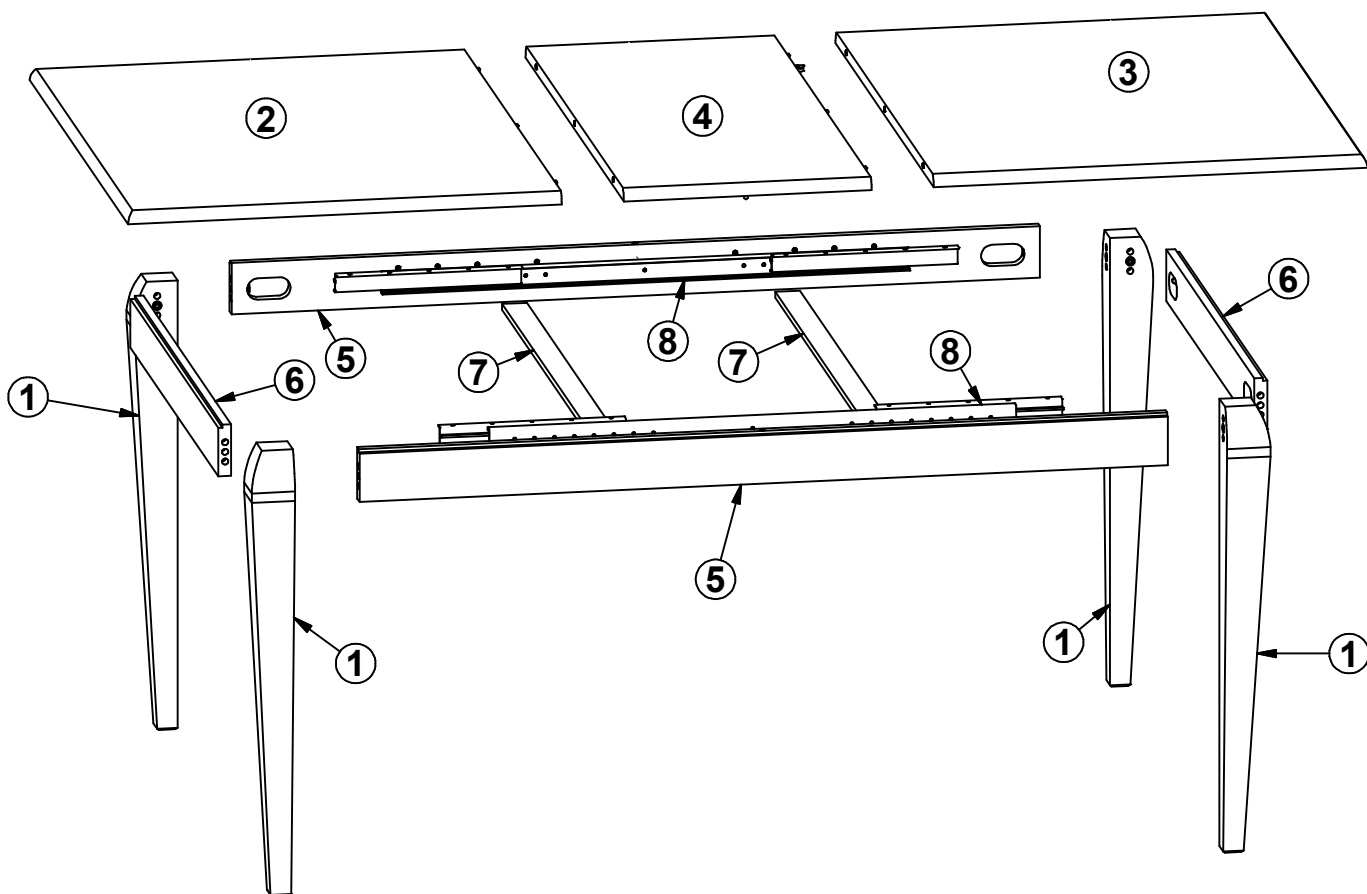
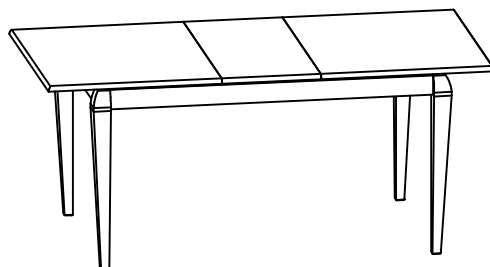


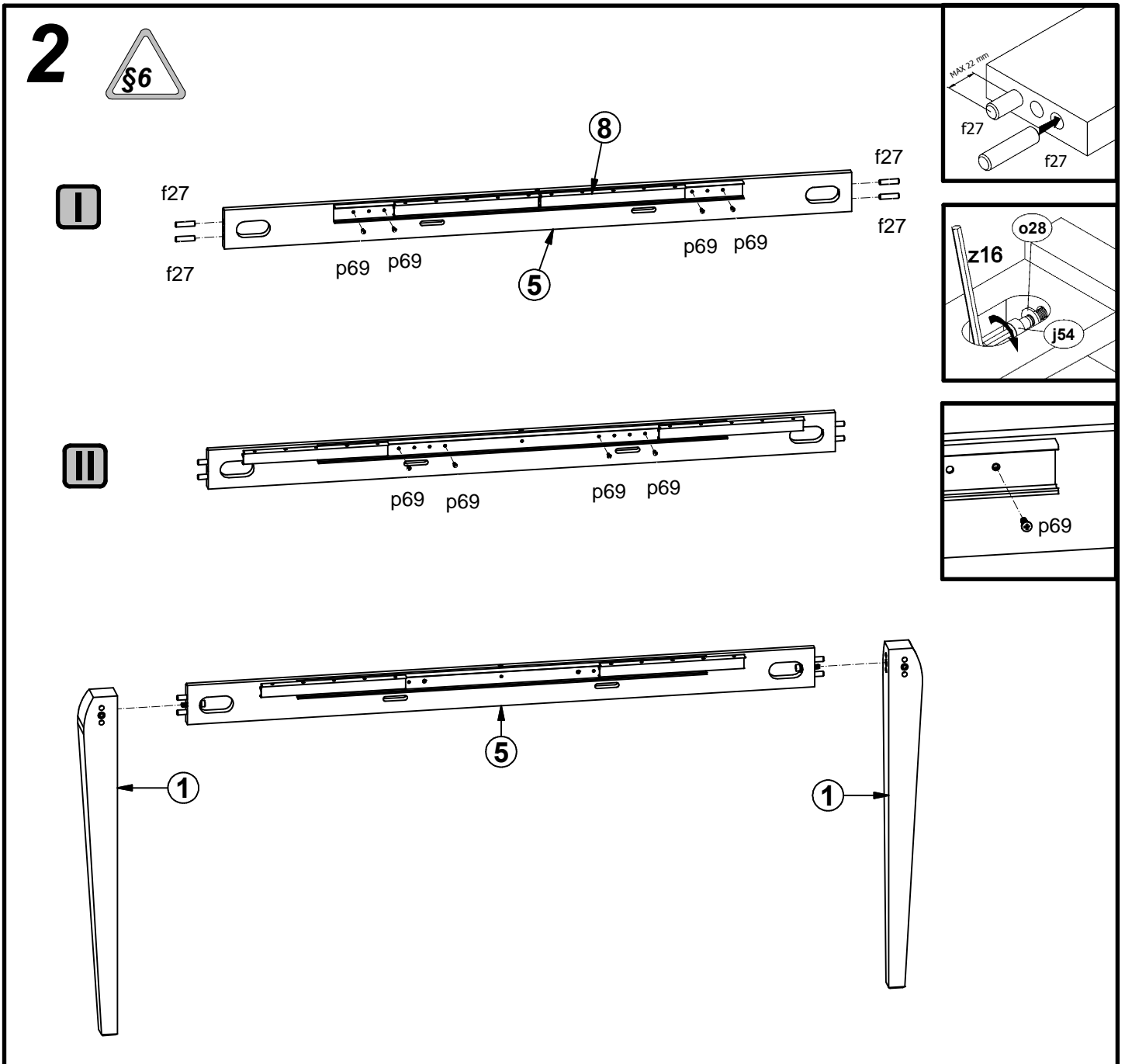
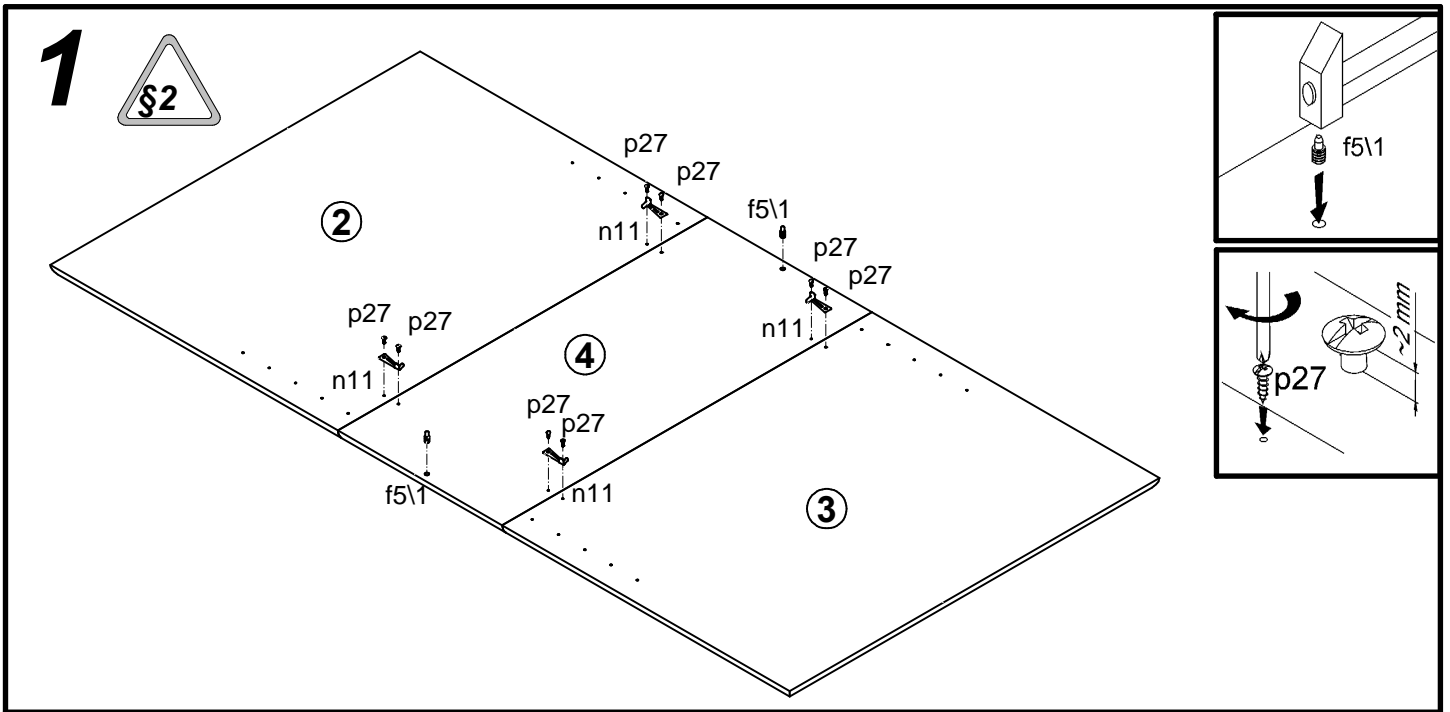
LOREN

S163-STO_140

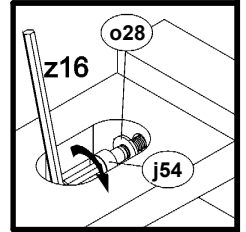
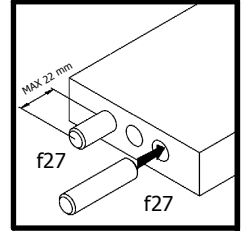
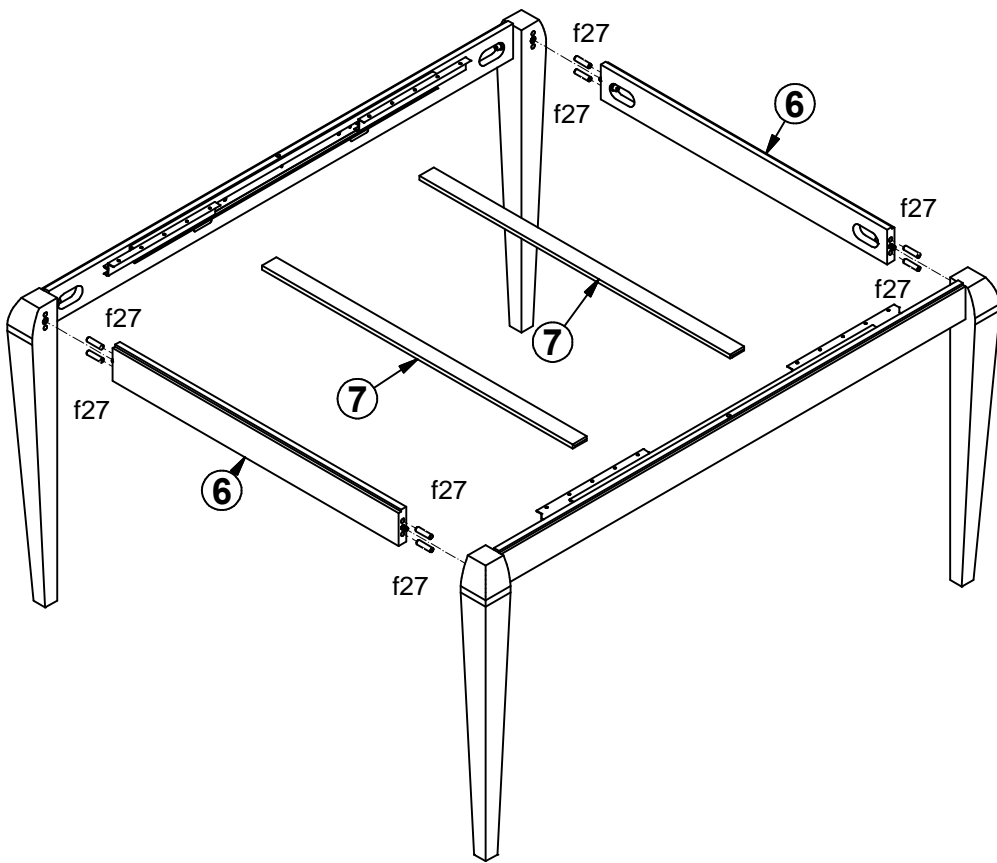
A	B	C	D
1	S163-136	740	70
2	S163-201	700	900
3	S163-202	700	900
4	S163-203	400	900
5	S163-417	1304	85
6	S163-418	804	85
7	S163-419	878	40
8	w8		



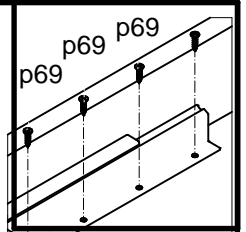
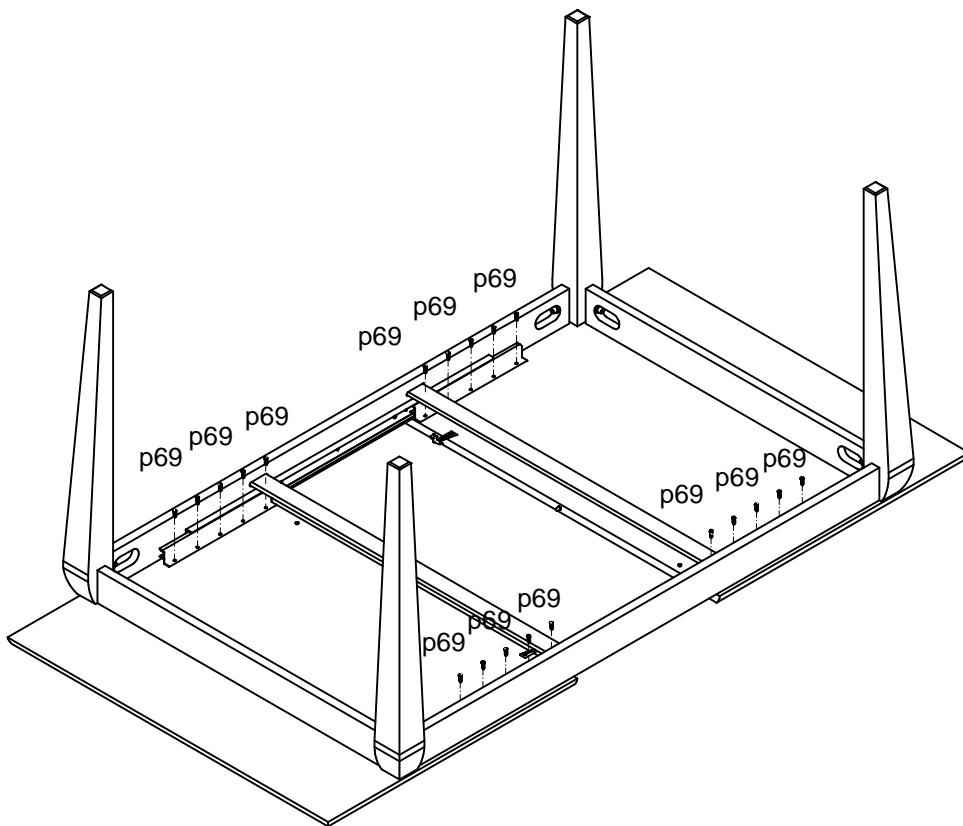
2x metalowy f51	16x φ10x40 mm f27	8x M8x40 mm j54	8x φ8/φ17x1.8 mm o28	36x Ø4x16 mm p69	4x n11	8x φ3.5x13 mm p27	1x 6mm z16
-----------------------	-------------------------	-----------------------	----------------------------	------------------------	-----------	-------------------------	------------------



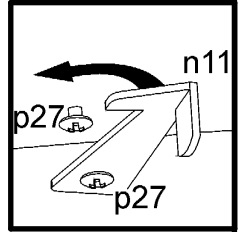
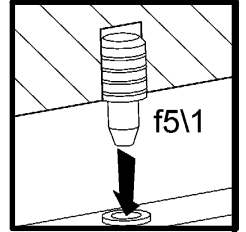
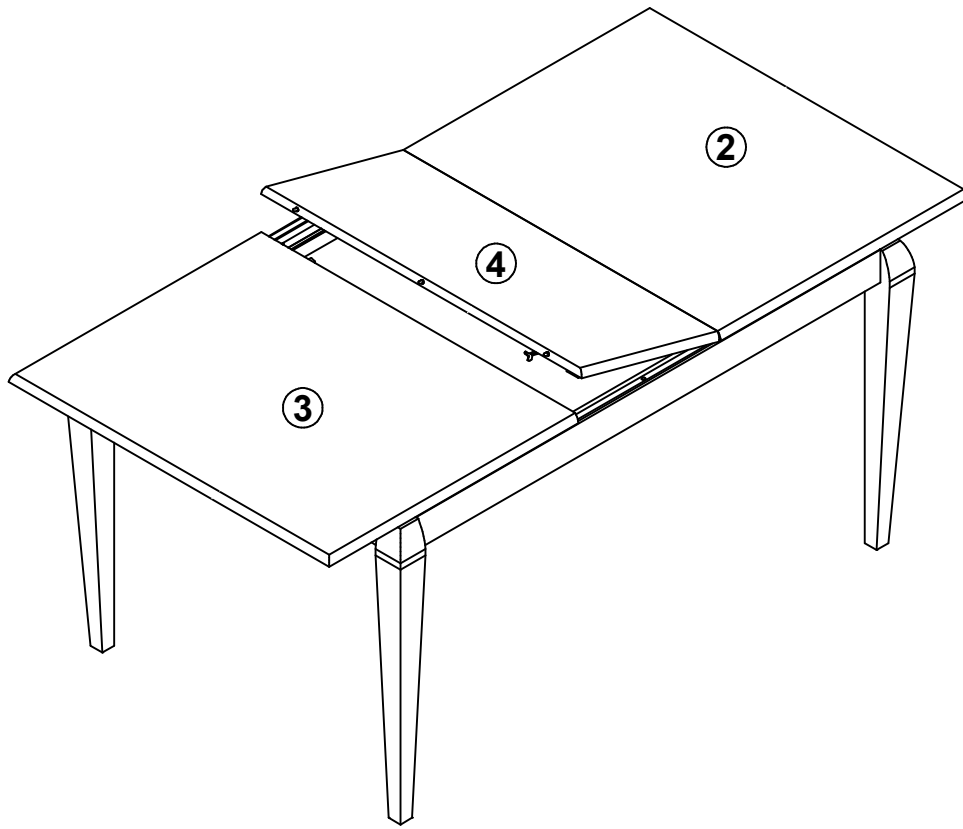
3



4



5



6

