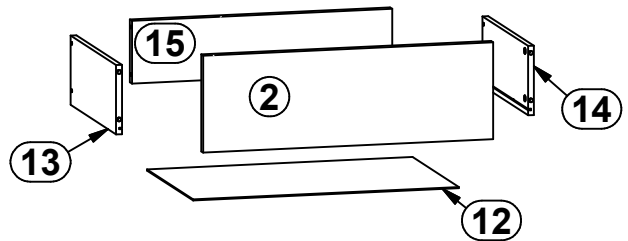
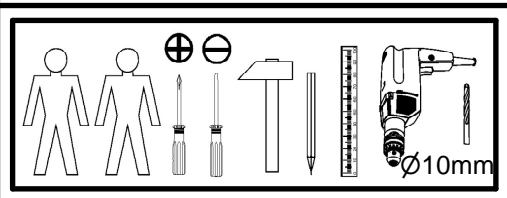
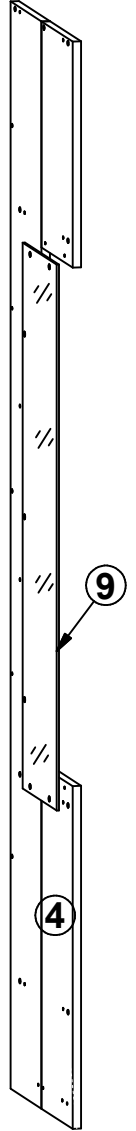
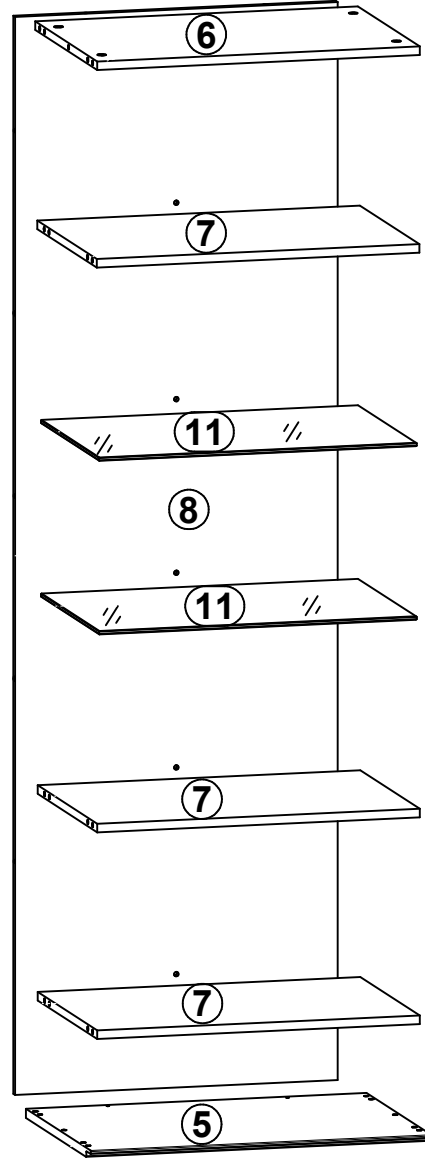
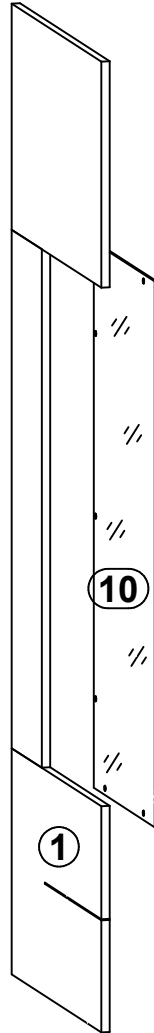
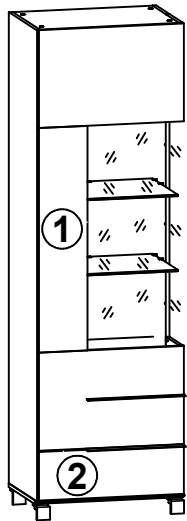


**A**

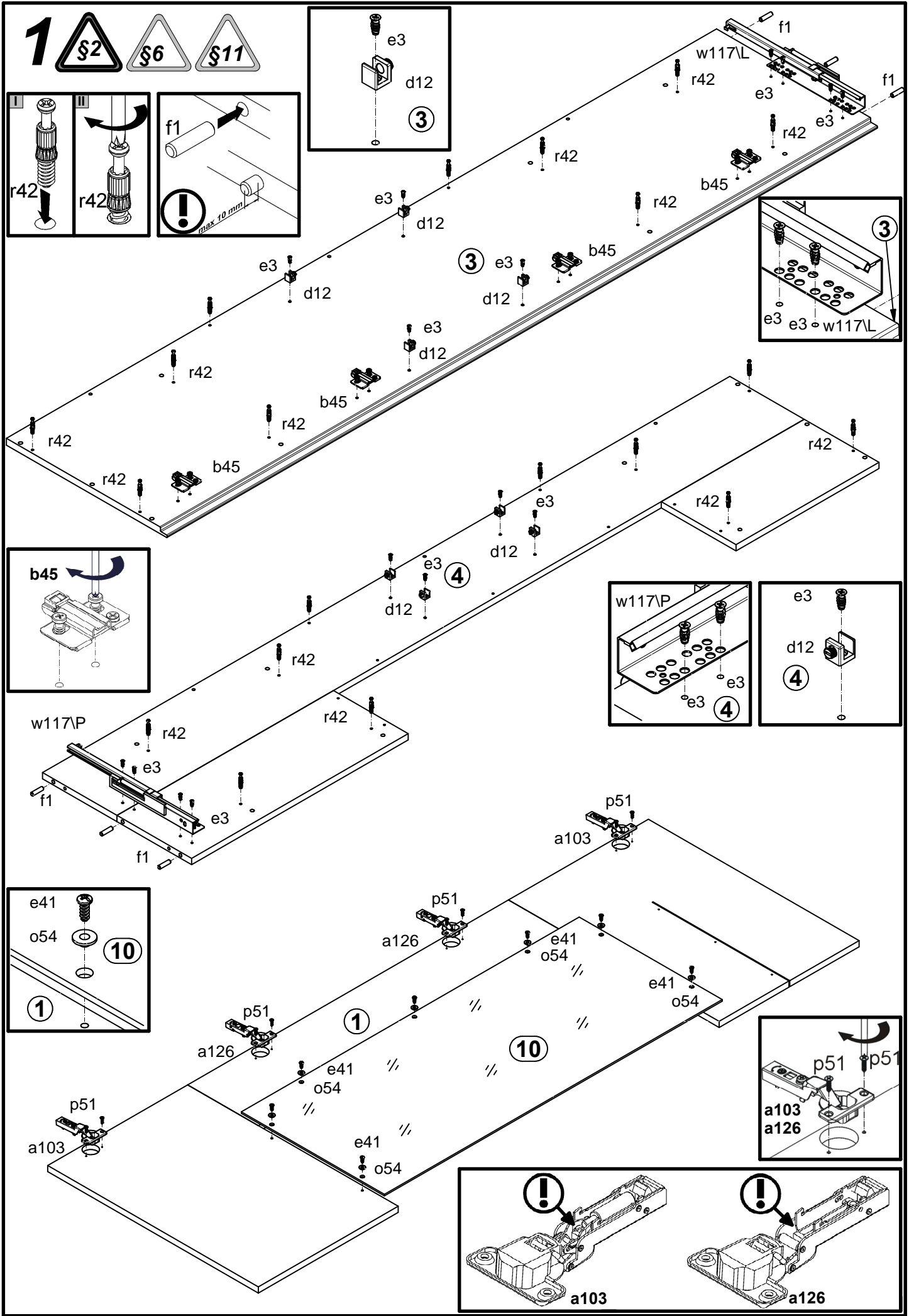
# LEJLA

**S312-REG1W1SL**

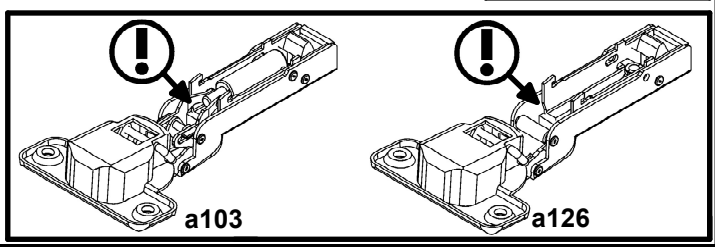
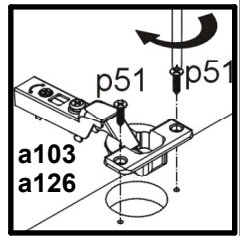
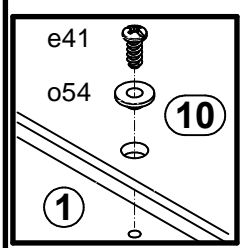
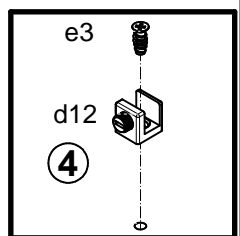
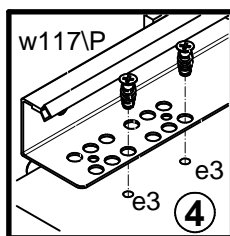
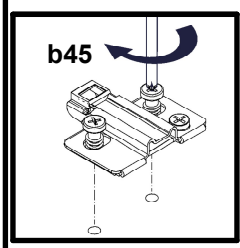
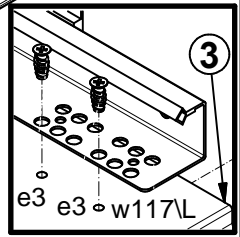
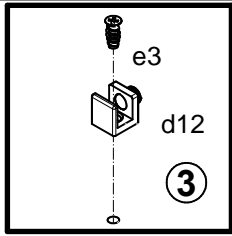
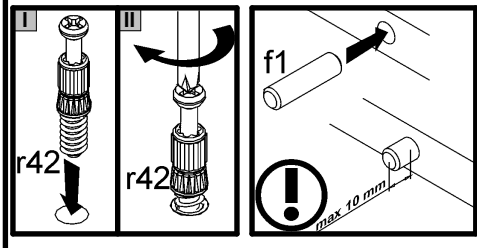
A	B	C	D
1	S312-012	1700	596
2	S312-014	596	196
3	S312-123	1904	431
4	S312-126	1904	413
5	S312-216	607	432
6	S312-303	575	412
7	S312-318	575	396
8	S312-405	1888	575
9	S312-501	956	226
10	S312-502	956	405
11	S312-504	566	387
12	S312-905	546	355
13	ZQ2-505	350	140
14	ZQ2-506	350	140
15	ZQ2-507	535	127

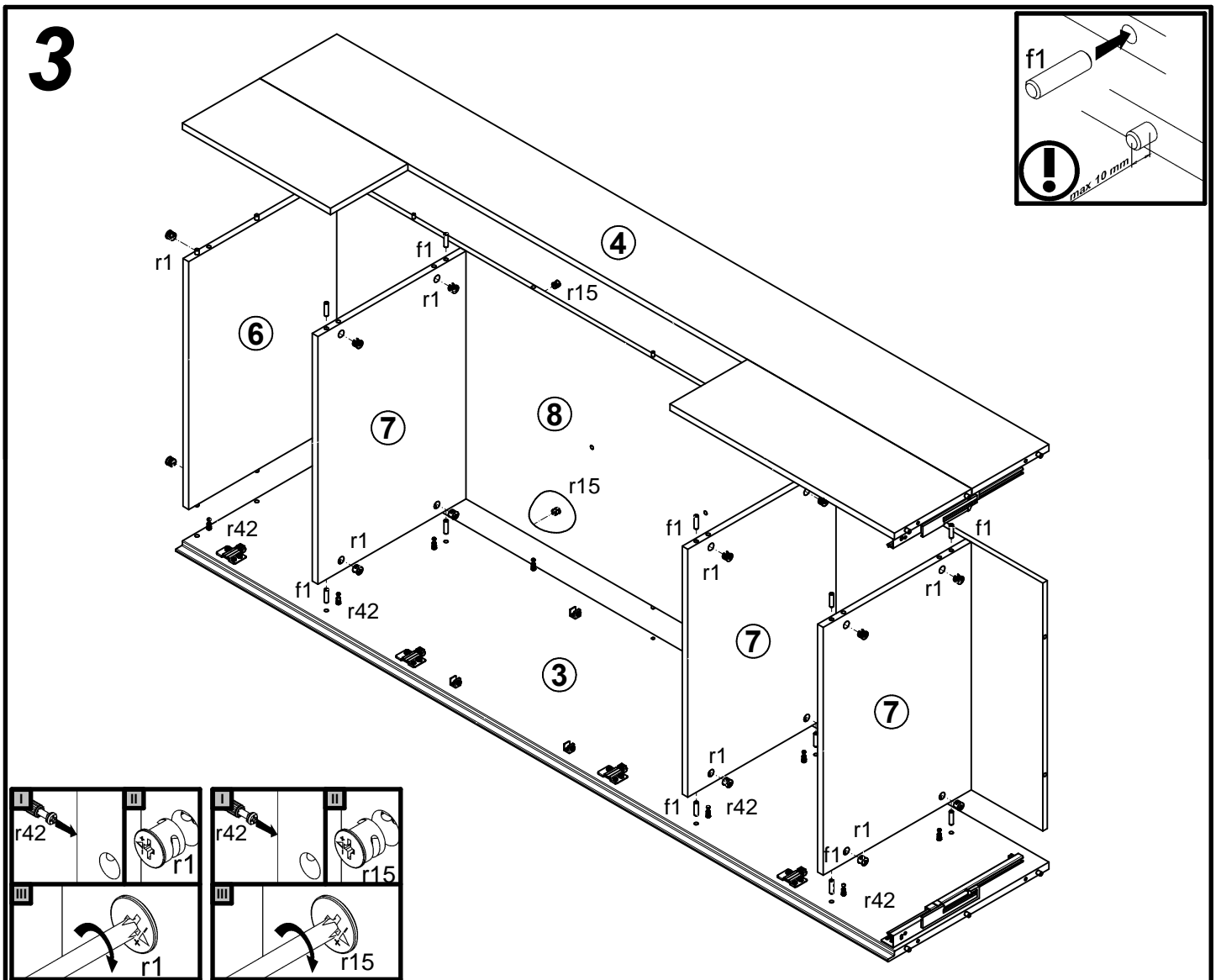
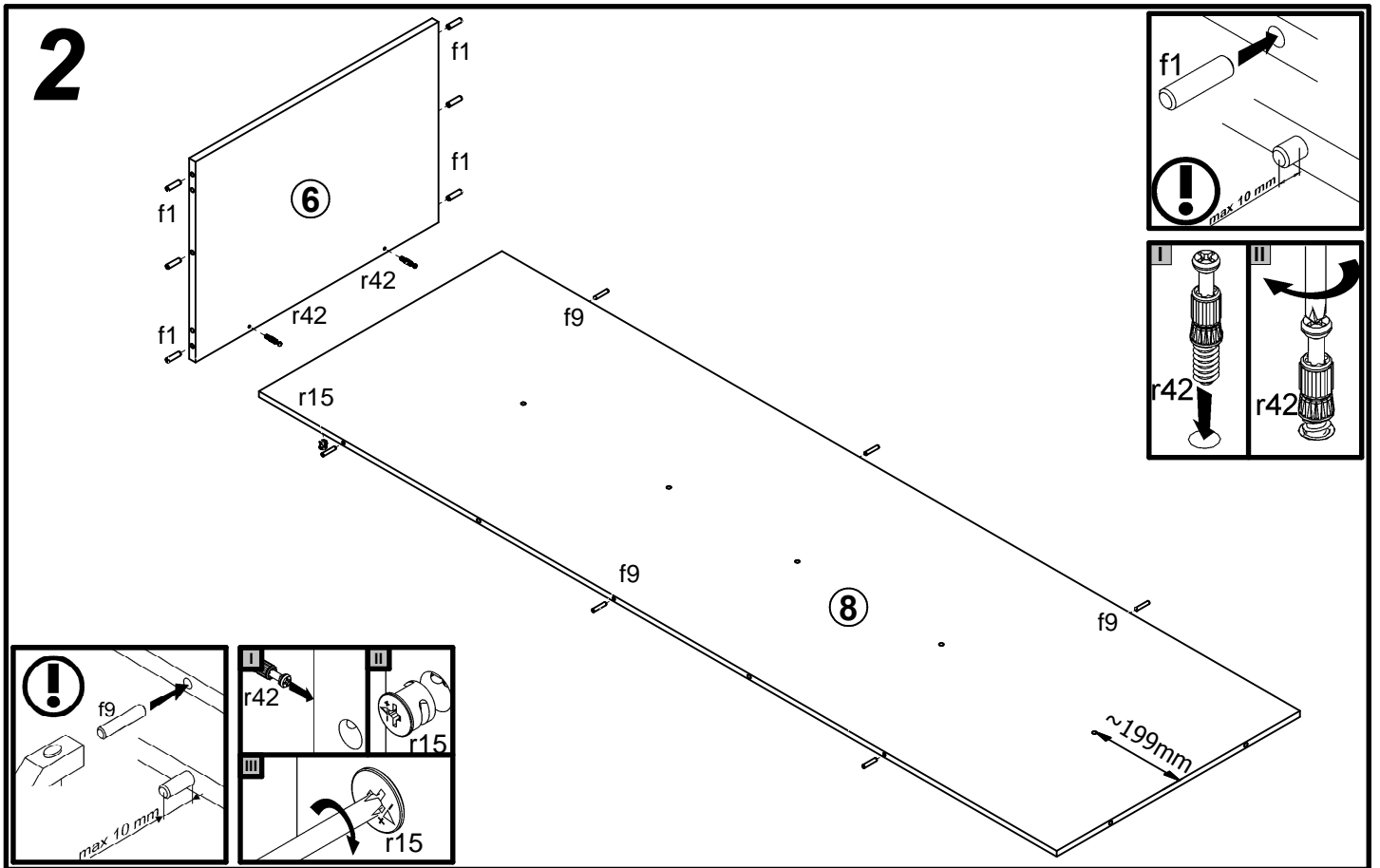


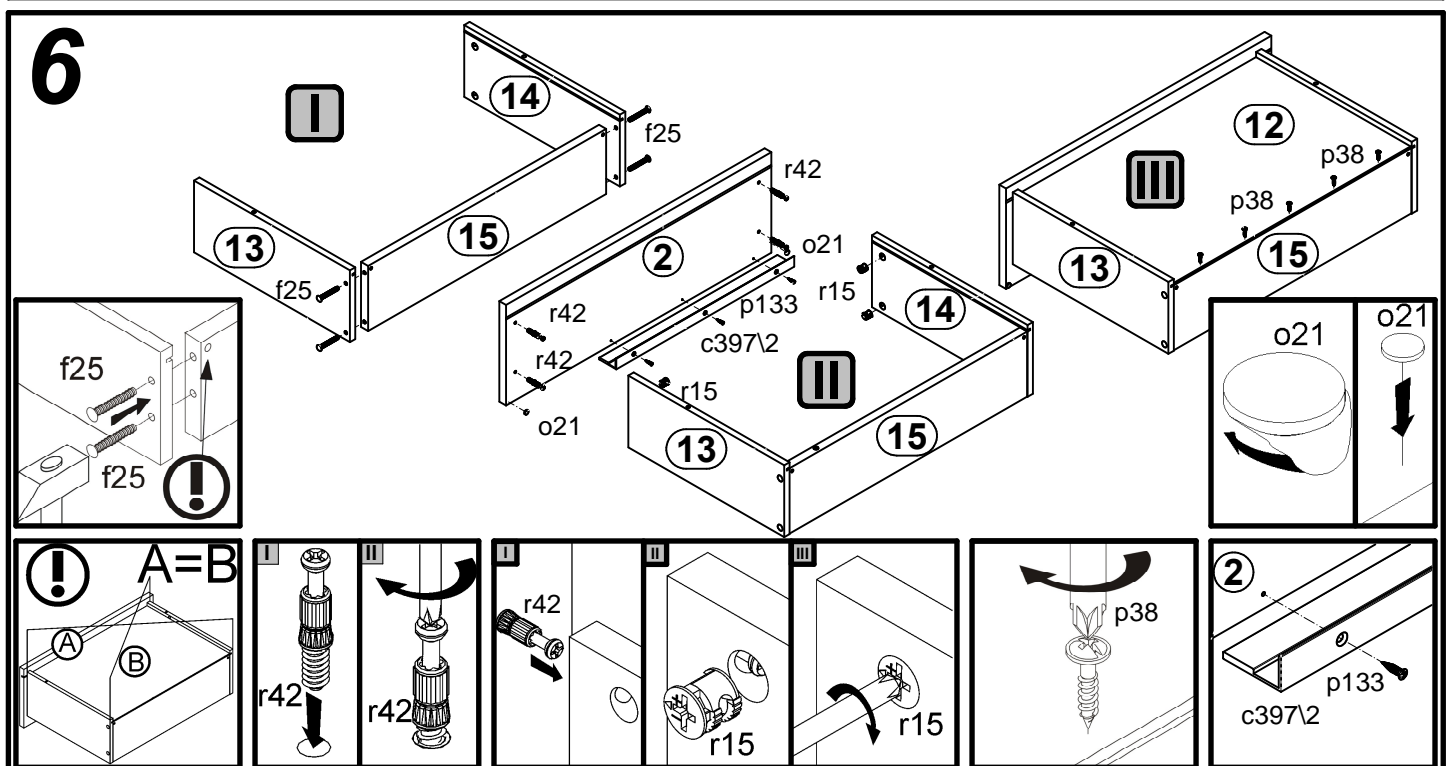
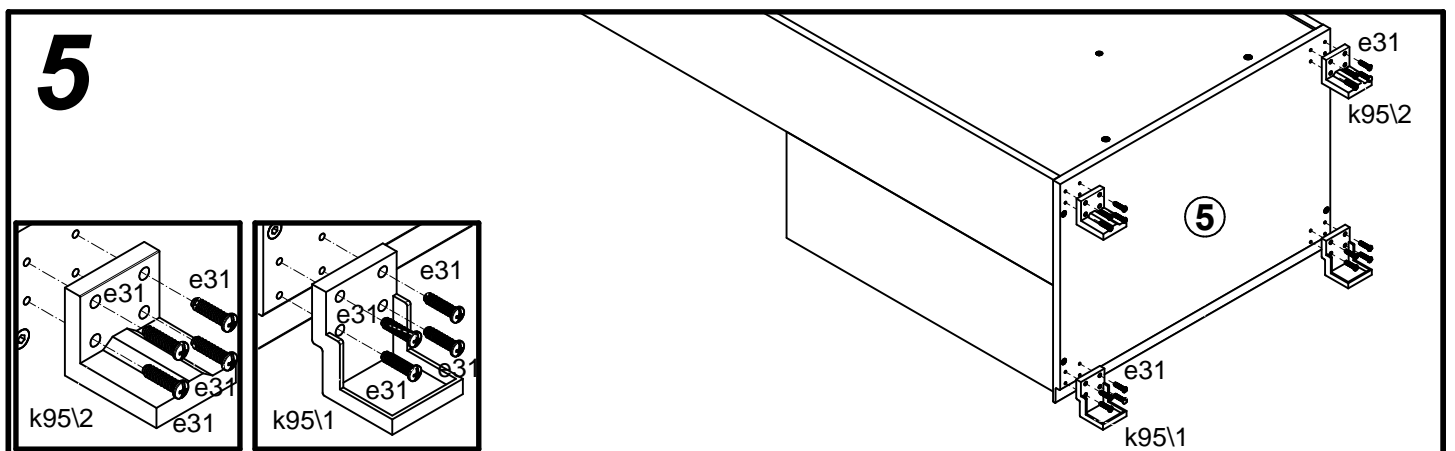
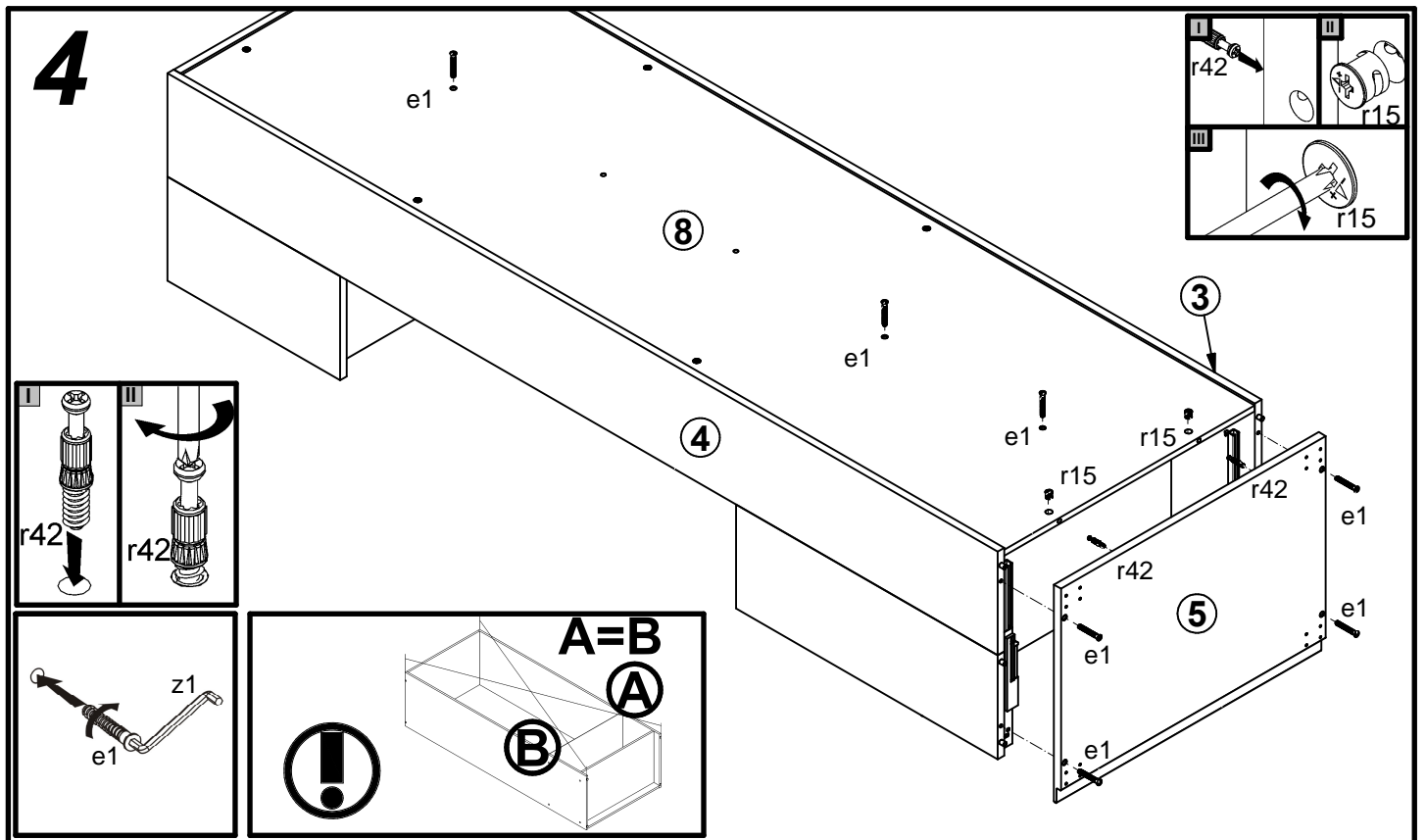
2x  a103	2x  a126	4x  b45	1x  2x160mm c397/1P	1x  320mm c397/2	8x  d12	7x  Ø7x50 mm e1	16x  Ø6x13 mm e3	16x  Ø6x22 mm e31
7x  Ø5x12 mm e41	24x  Ø8x30 mm f1	6x  Ø6x30 mm f9	4x  Ø6,5x40 mm f25	2x  Ø10x50 mm f35	2x  k95/1	2x  k95/2	2x  81x21x15/1,5 n14	4x  silikon o21
1x  o43/6	2x  o43/8	7x  Ø5,3/Ø8,3x4,8 mm o54	2x  Ø5x60 mm p17	9x  Ø3,5x16 mm p38	8x  Ø3,5x15 mm p51	6x  Ø3,5x14 mm p133	16x  Ø15x12 mm #16 r1	
12x  Ø12x10,5 mm #12 r15	28x  r42	1x  350 mm w117/L	1x  350 mm w117/P	4x  Ø16 s2	1x  z1			



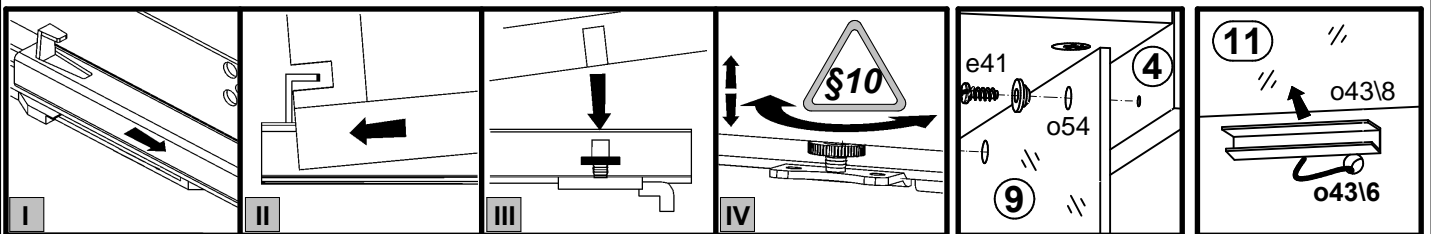
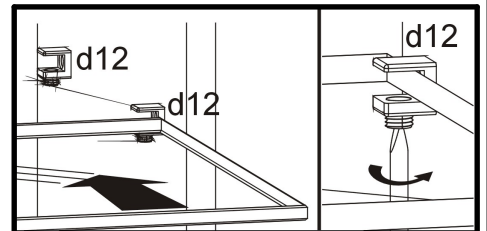
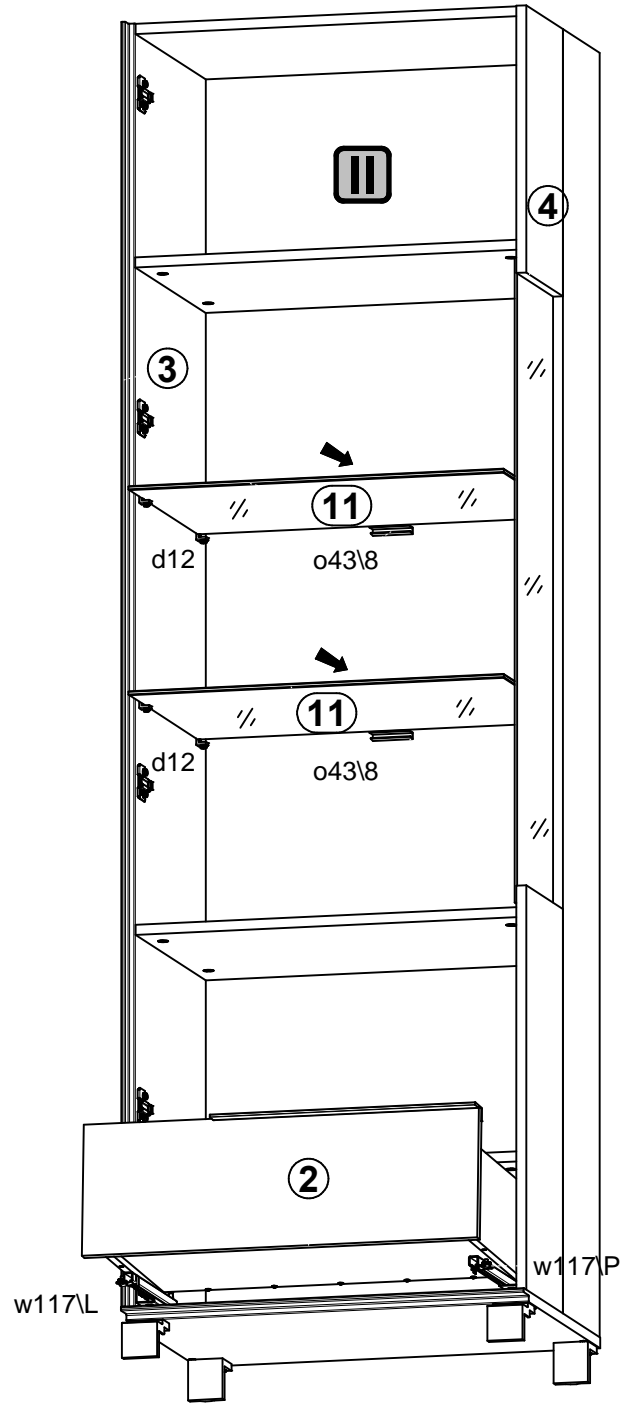
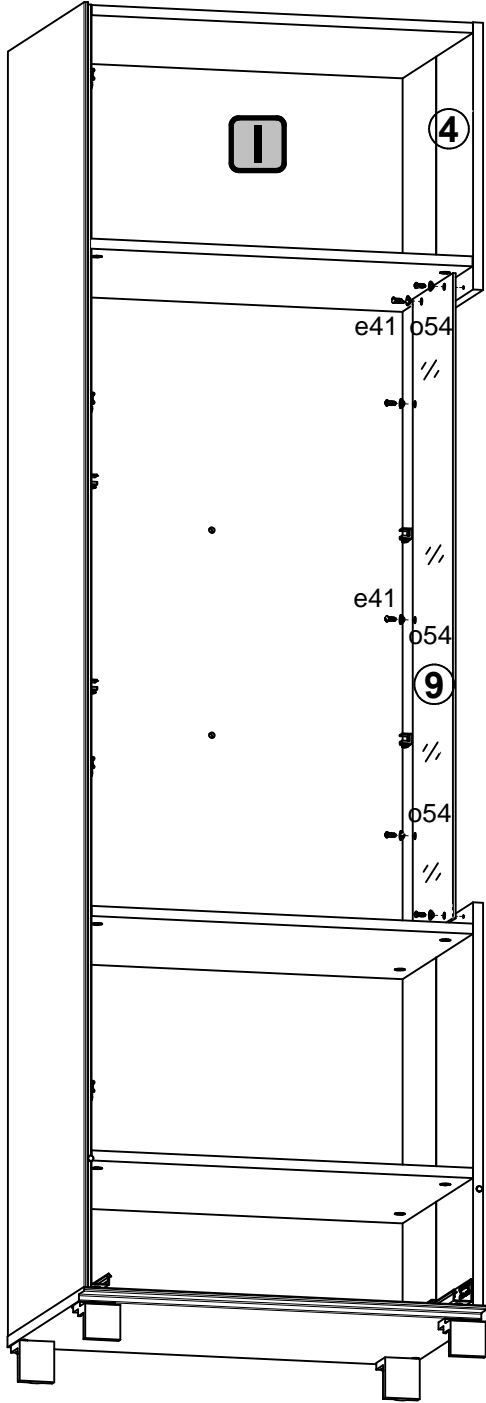
1 **S2** **S6** **S11**







# 7



# 8

