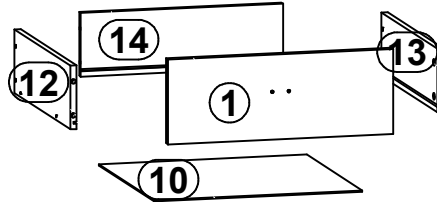
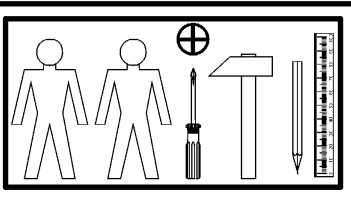
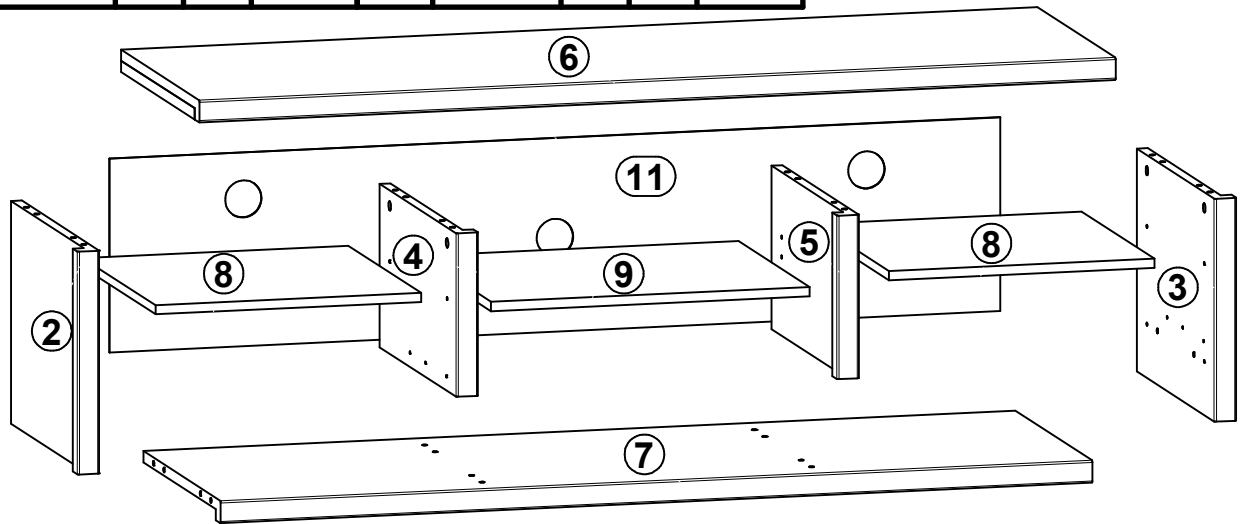
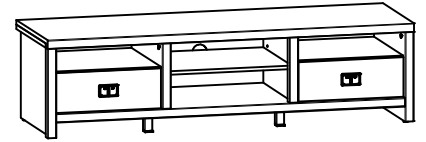


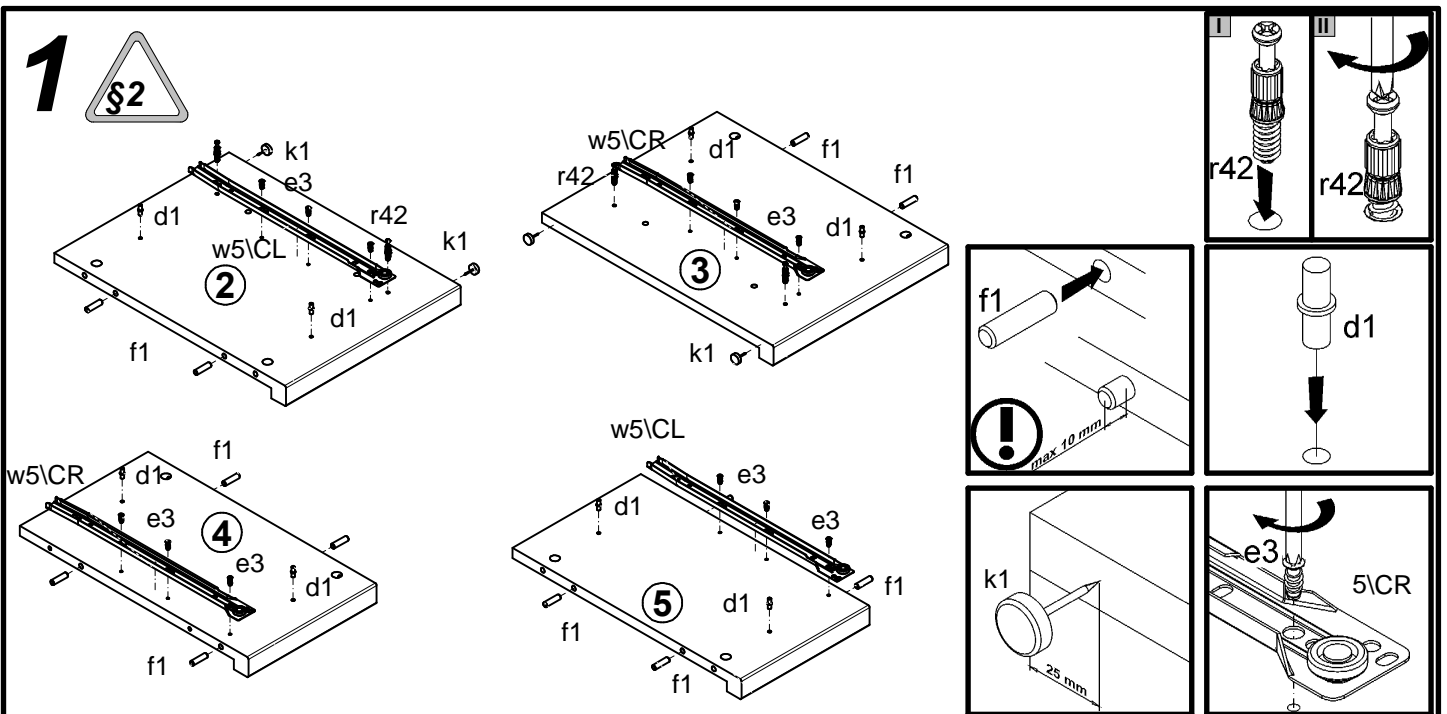
# KASPIAN CLASSIC

## S158-RTV2S

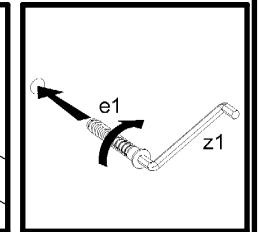
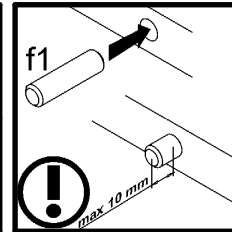
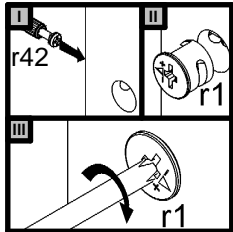
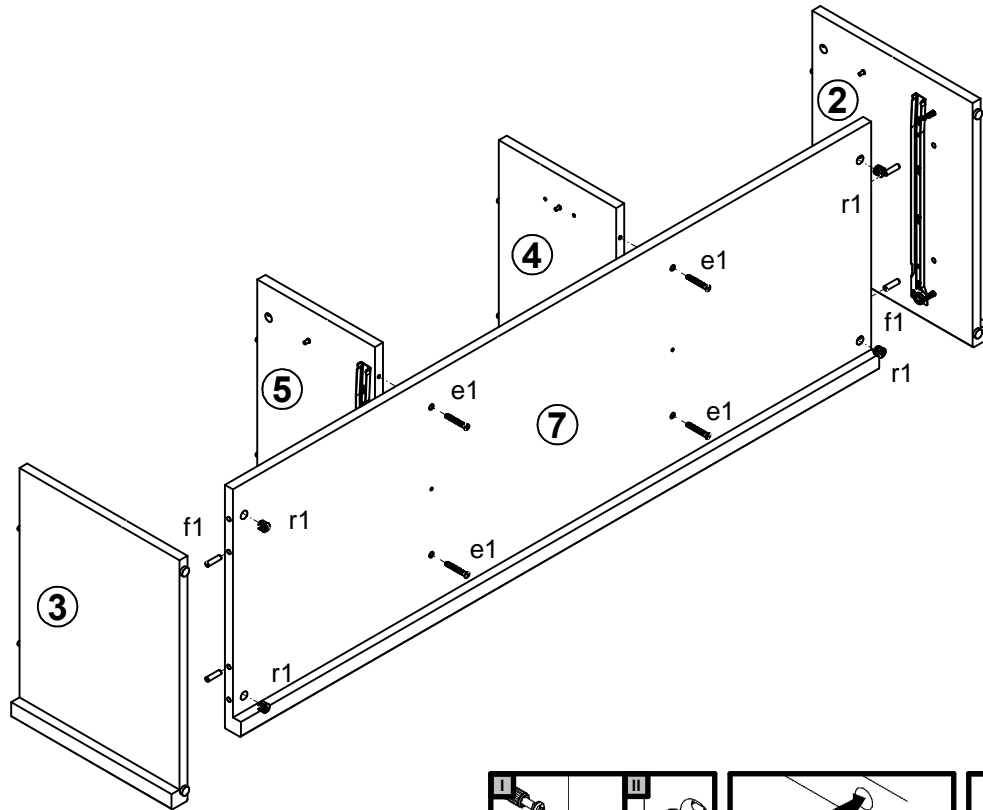
A	B	C	D	A	B	C	D		
1	S158-004	432	160	2/2	8	S158-309	437	447	1/2
2	S158-113	360	477	1/2	9	S158-310	524	436	1/2
3	S158-114	360	477	1/2	10	S158-910	399	398	1/2
4	S158-115	264	471	1/2	11	S158-911	1465	313	1/2
5	S158-116	264	471	1/2	12	ZS2-503	400	120	1/2
6	S158-206	1507	480	1/2	13	ZS2-504	400	120	1/2
7	S158-308	1434	474	1/2	14	ZS2-5524	388	120	1/2



2x  c239/2	12x  φ5x17 mm d1	4x  φ7x50 mm e1	8x  φ5x9 mm e19	12x  φ6x13 mm e3	16x  φ8x30 mm f1	8x  φ6.5x40 mm f25	4x  M4x20 mm j1	4x  k1
50x  l1	12x  φ1.5x12mm #16 r1	8x  φ1.2x10.5mm #12 r15	20x  r42	2x  400 mm w5\CL	2x  400 mm w5\CR	2x  400 mm w5\DL	2x  400 mm w5\DR	1x  z1
2x  k38/3	2x  k38/0	8x  ø16 s2	8x  φ3.5x16 mm p38	2x  φ6.3x13 mm e2				



# 2



# 3

