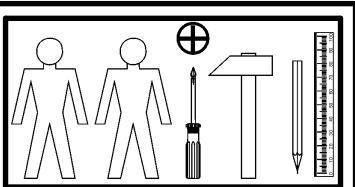
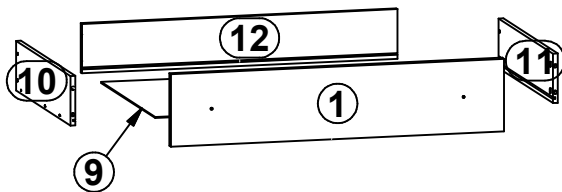
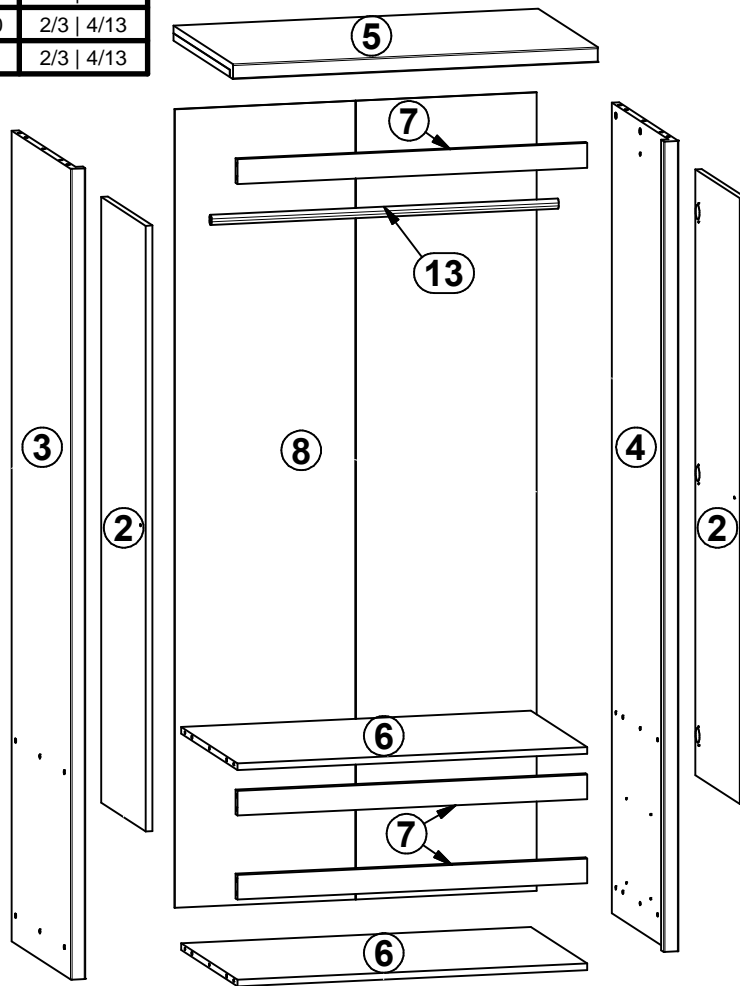
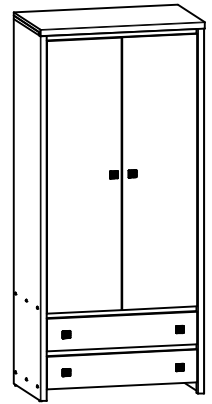


A	B	C		D
1	S128-036	822	176	3/3 12/13
2	S128-035	1468	410	3/3 12/13
3	S128-103	1964	546	1/3 3/13
4	S128-104	1964	546	1/3 3/13
5	S128-202	900	549	2/3 4/13
6	S128-303	863	520	2/3 4/13
7	S128-401	863	60	2/3 4/13
8	S128-902	1935	893	1/3 3/13
9	S128-903	789	498	1/3 3/13
10	ZS2-509	500	120	2/3 4/13
11	ZS2-510	500	120	2/3 4/13
12	ZS2-5513	778	120	2/3 4/13
13	dr-857	857	22	2/3 4/13



6x a43	6x b18	12x e1 φ7x50 mm	12x e16 φ6x30 mm	12x e19 φ5x9 mm	12x e2 φ6,3x13 mm	24x f1 φ8x30 mm	8x f25 φ6,5x40 mm	4x k1	
64x l1	2x n1	2x p1 φ3,5x13 mm	4x p25 φ3,5x16 mm	12x p51 φ3,5x15 mm	6x r1 φ15x12mm #16	8x r15 φ12x10,5mm #12	14x r42	12x s1	
6x s2 ø16	2x t17 483 mm	2x w26\CL 500 mm	2x w26\CR 500 mm	2x w26\DL 500 mm	2x w26\DR 500 mm	12x w36 h=18 mm	1x n26\1	1x p38 φ3,5x16 mm	
1x z1	6x c370	6x j30 M4x22 mm							

