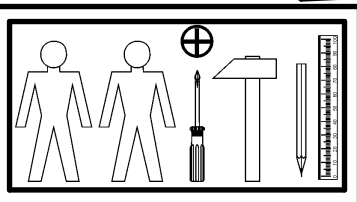
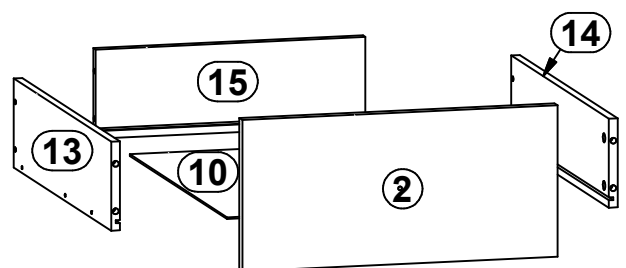
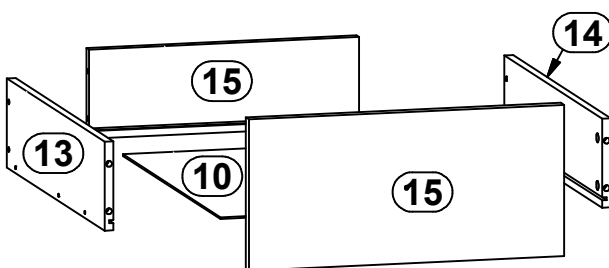
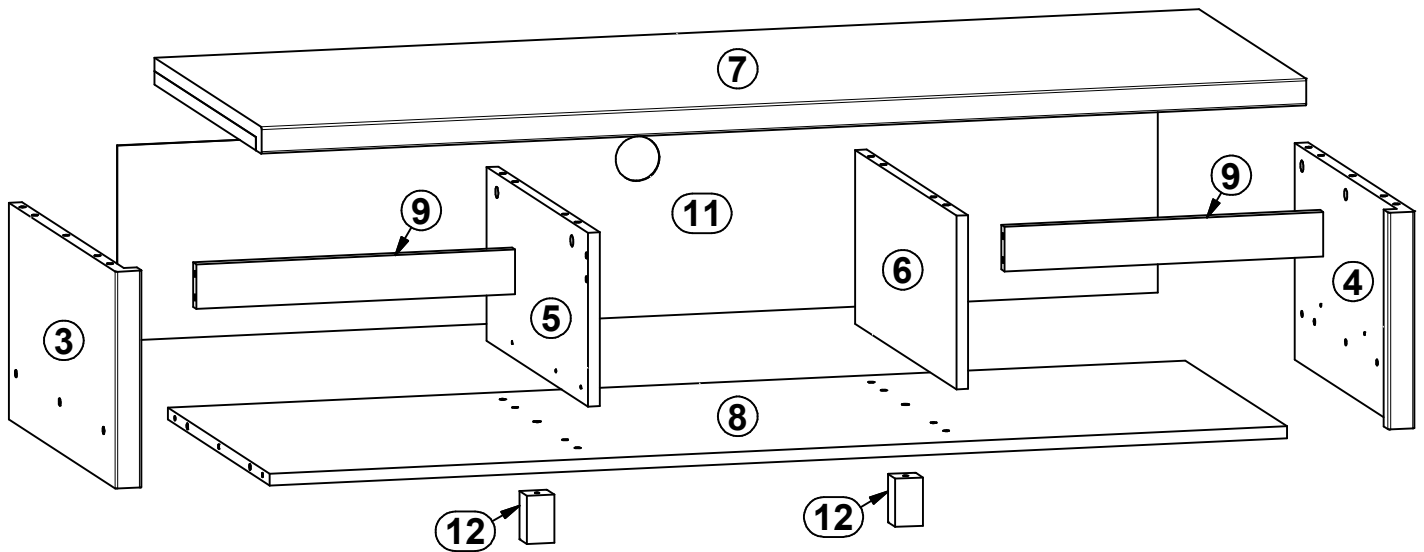
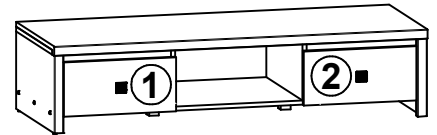


# KASPIAN

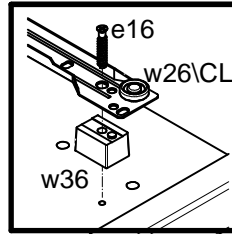
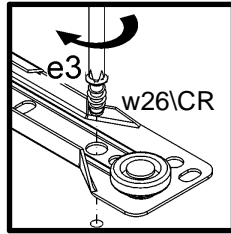
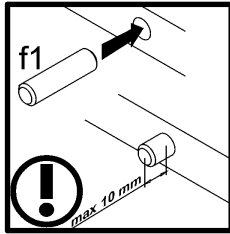
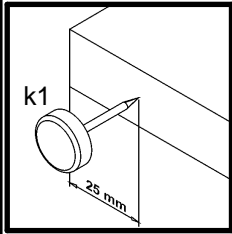
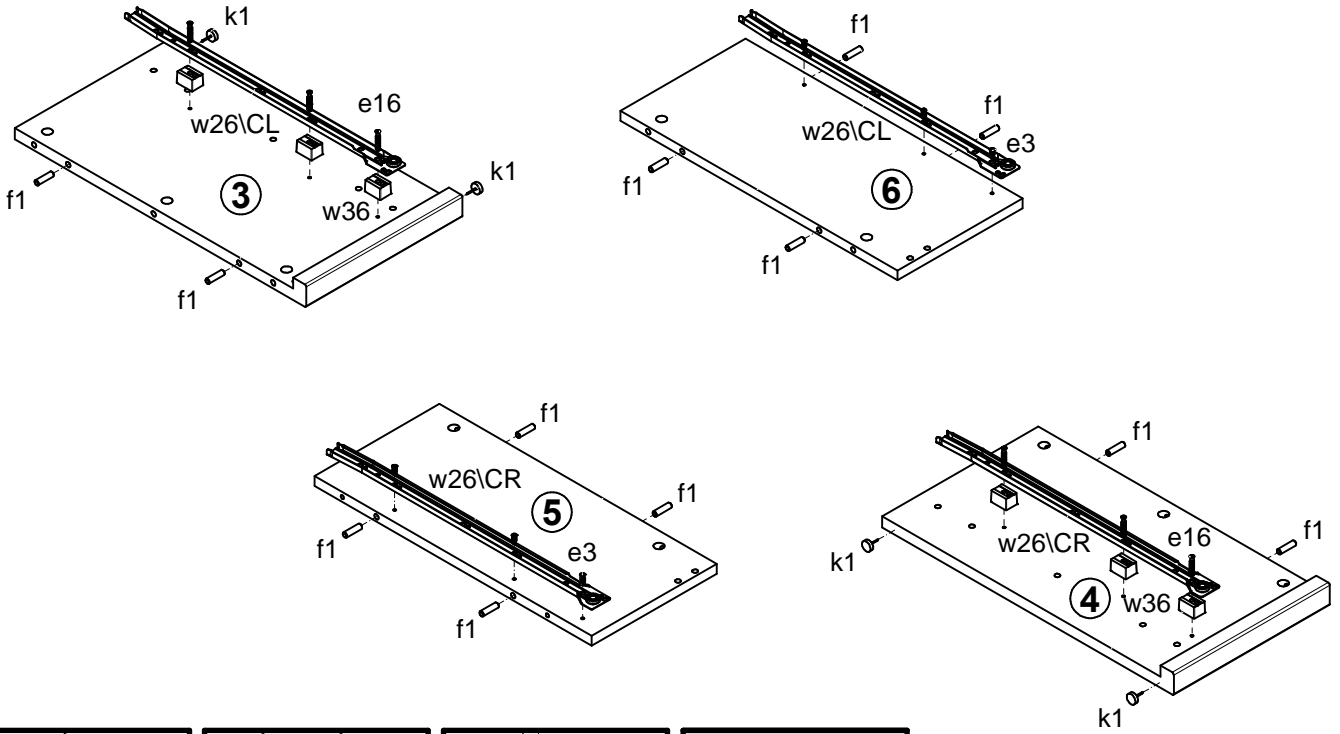
# S128-RTV2S\_FR2

A	B	C	D	
1	S128-037	432	204	2/2
2	S128-038	432	204	2/2
3	S128-124	292	546	1/2
4	S128-125	292	546	1/2
5	S128-126	234	519	1/2
6	S128-127	234	519	1/2
7	S128-208	1432	549	1/2
8	S128-314	1395	520	1/2
9	S128-408	437	60	1/2
10	S128-915	381	498	1/2
11	S128-916	263	1426	1/2
12	ZN1-501	65	38	1/2
13	ZS2-509	500	120	1/2
14	ZS2-510	500	120	1/2
15	ZS2-5523	370	120	1/2

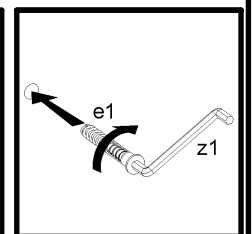
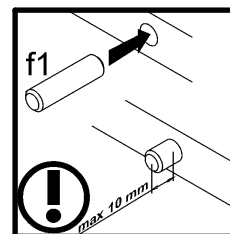
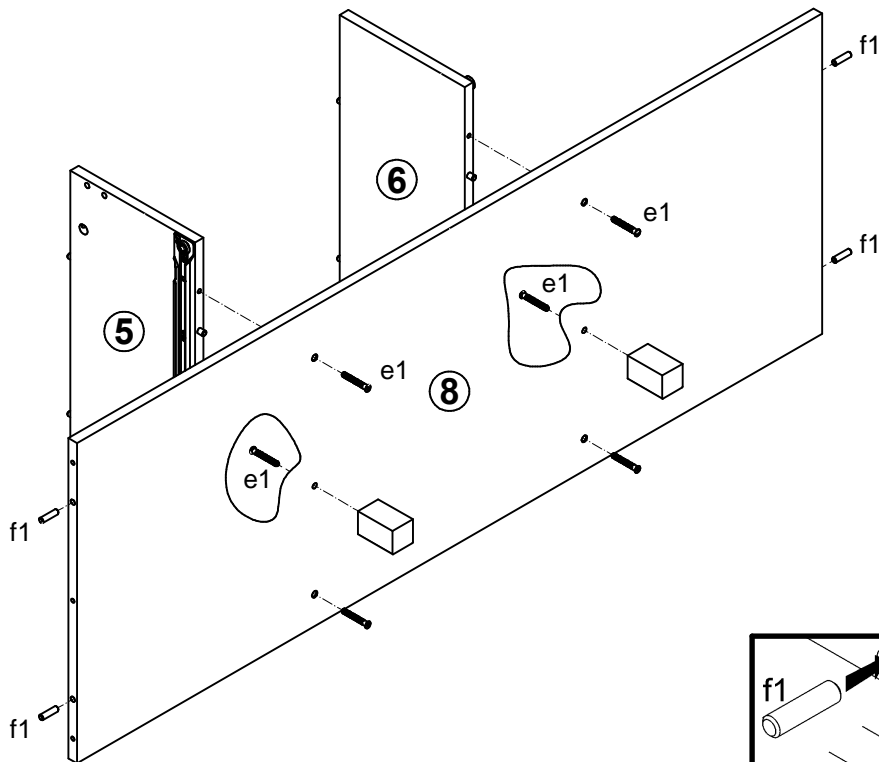


12x  φ7x50 mm e1	6x  φ6x30 mm e16	12x  φ5x9 mm e19	6x  φ6x13 mm e3	24x  φ8x30 mm f1	8x  φ6.5x40 mm f25	4x  k1	40x  l1	10x  φ15x12mm #16 r1
8x  φ12x10.5mm #12 r15	18x  r42	6x  s1	2x  500 mm w26\CL	2x  500 mm w26\CR	2x  500 mm w26\DL	2x  500 mm w26\DR	6x  b=18 mm w36	1x  z1
2x  c370	2x  M4x22 mm j30							

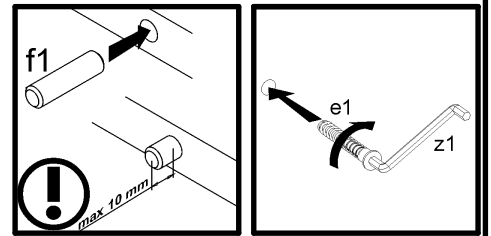
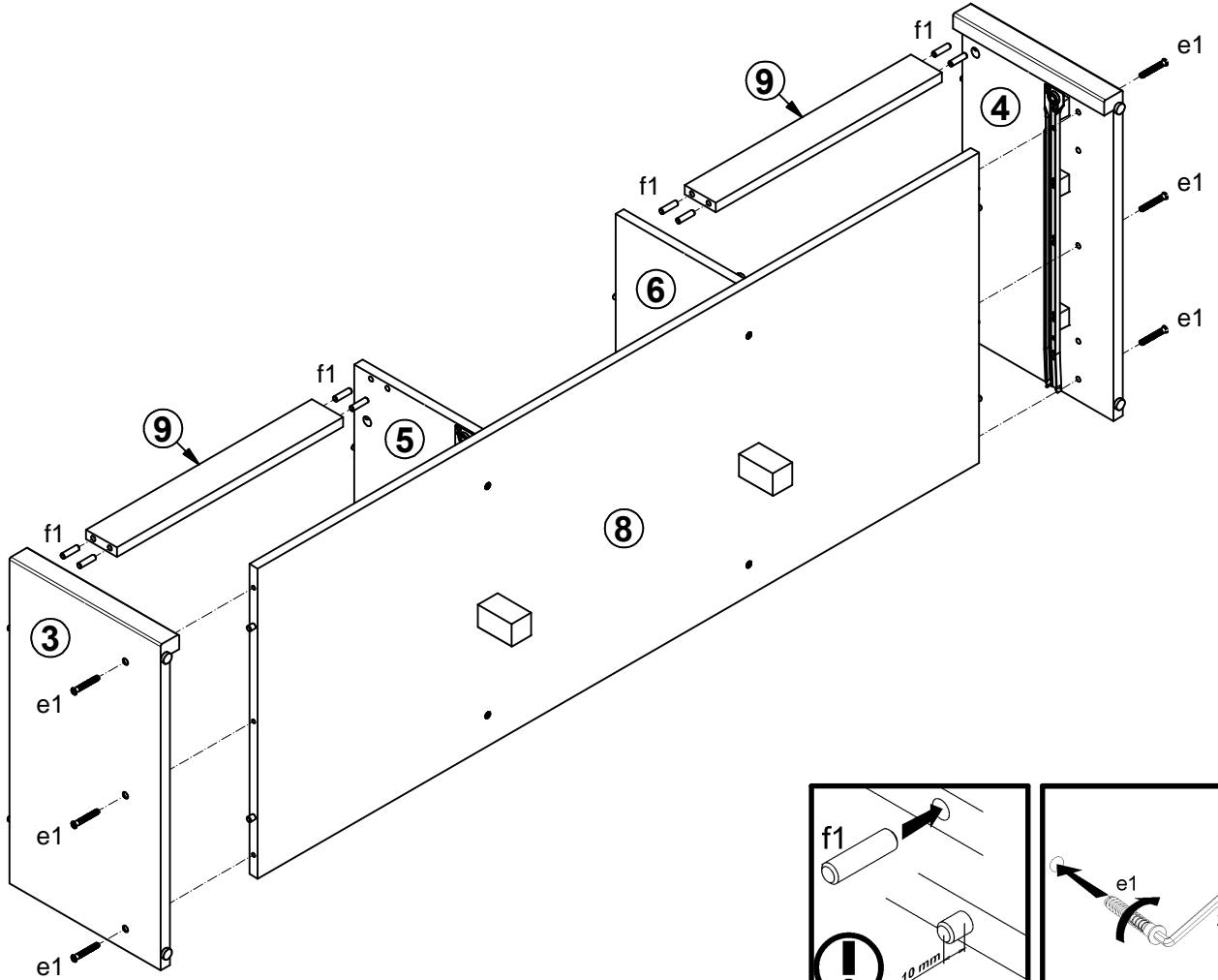
# 1



# 2



# 3



# 4

