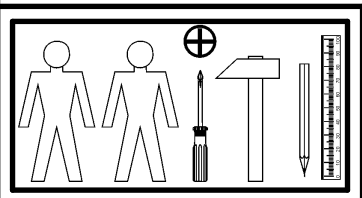
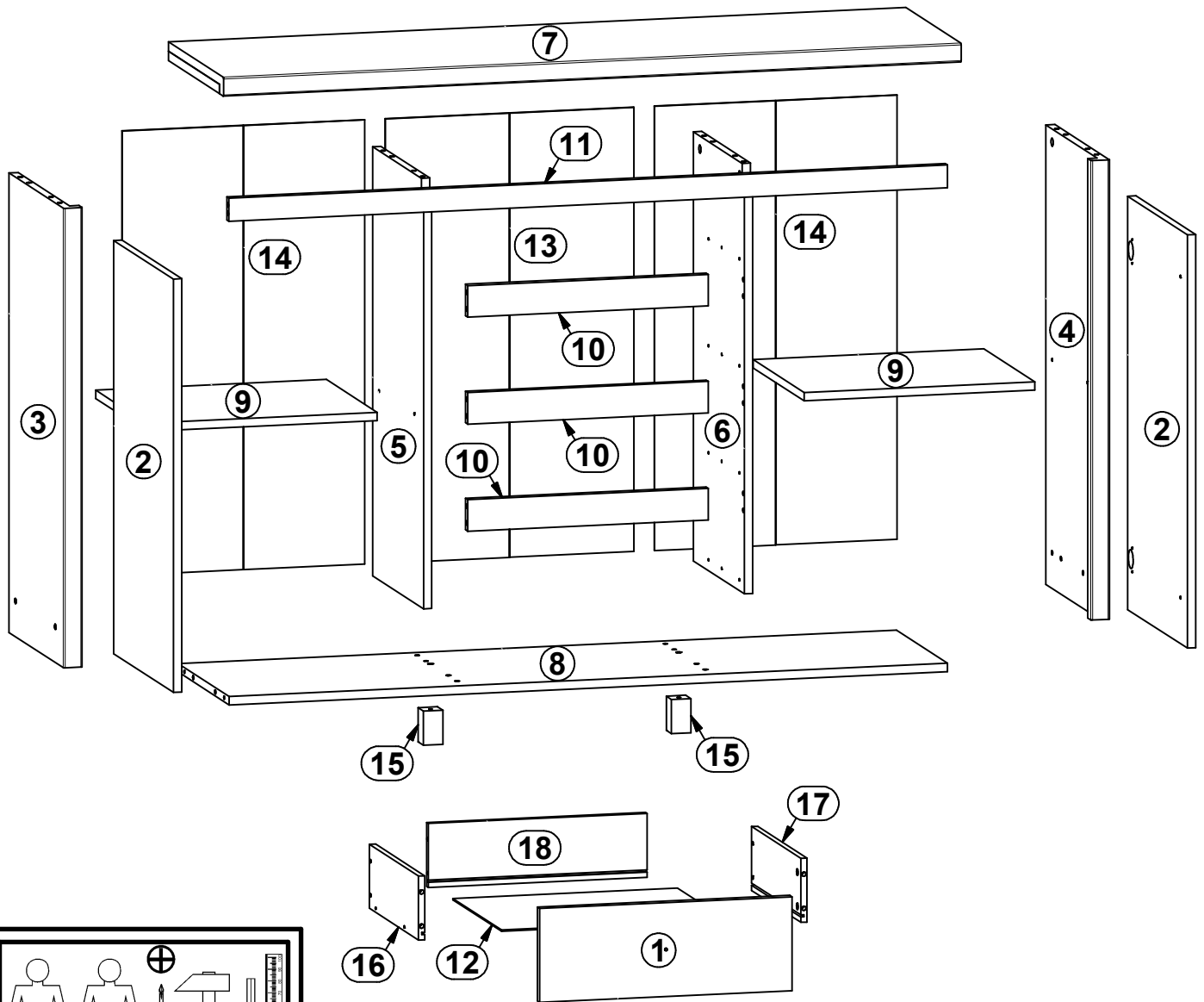
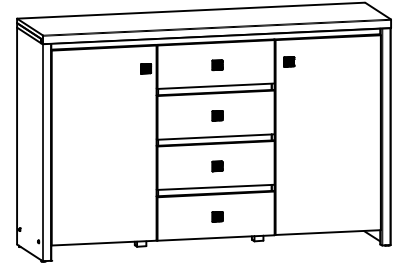


KASPIAN

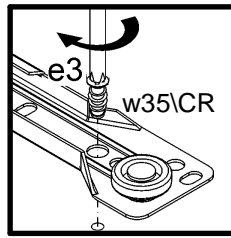
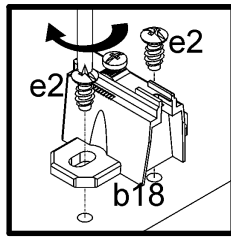
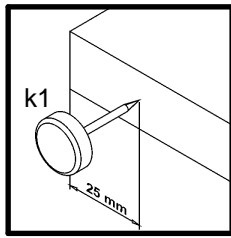
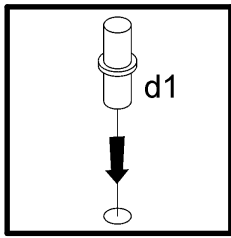
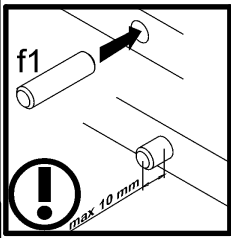
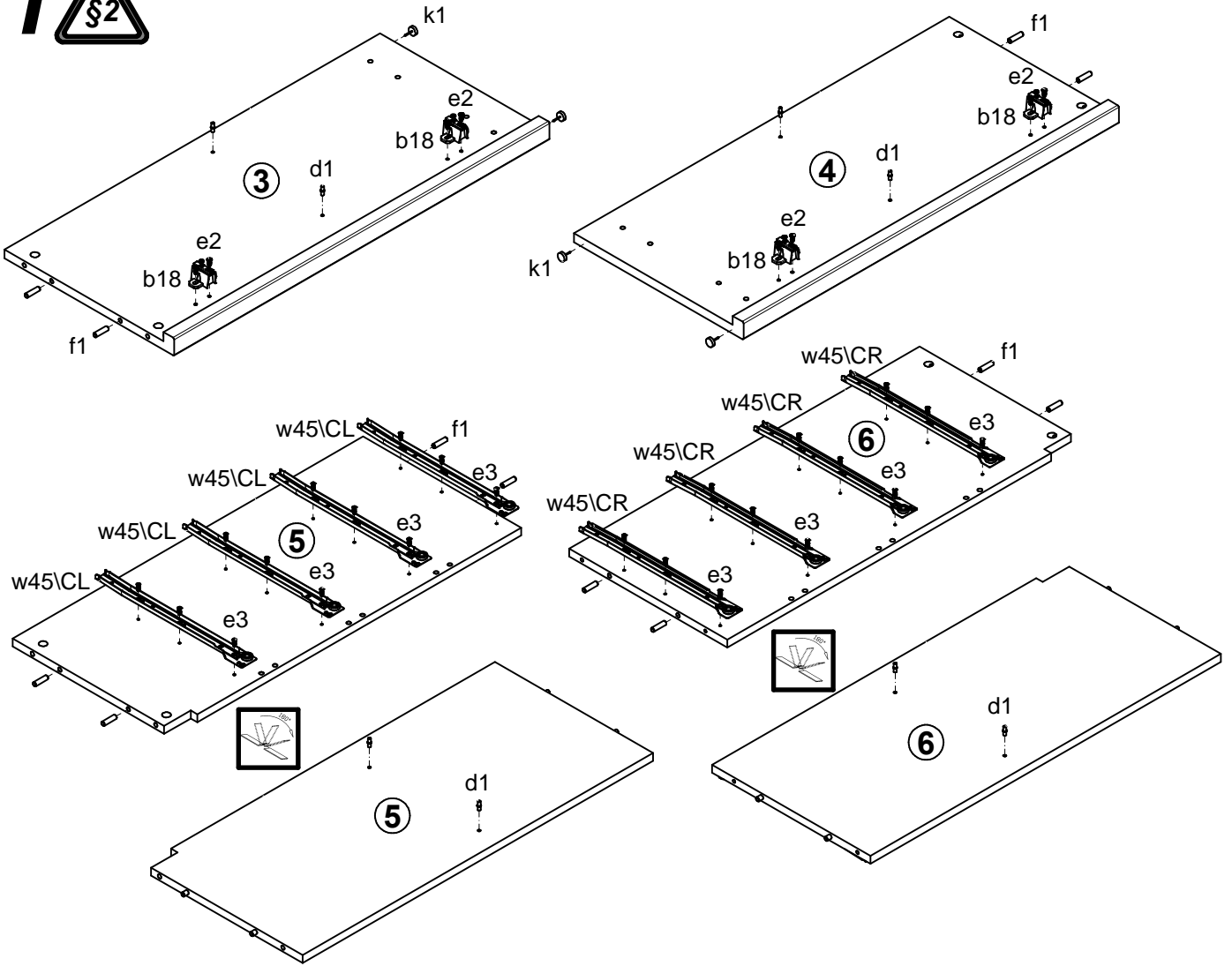
S128-KOM2D4S_FR2

A	B	C	D	A	B	C	D		
1	S128-041	482	176	3/4	11	S128-406	1395	44	2/4
2	S128-042	788	432	4/4	12	S128-901	429	348	2/4
3	S128-107	876	396	1/4	13	S128-908	847	483	1/4
4	S128-108	876	396	1/4	14	S128-909	847	471	1/4
5	S128-109	818	369	1/4	15	ZN1-501	65	38	1/4
6	S128-110	818	369	1/4	16	ZS2-511	350	120	1/4
7	S128-204	1432	399	2/4	17	ZS2-512	350	120	1/4
8	S128-302	1395	370	2/4	18	ZS2-5521	418	120	1/4
9	S128-305	448	368	2/4					
10	S128-404	467	60	1/4					

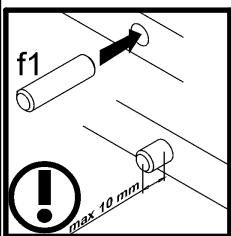
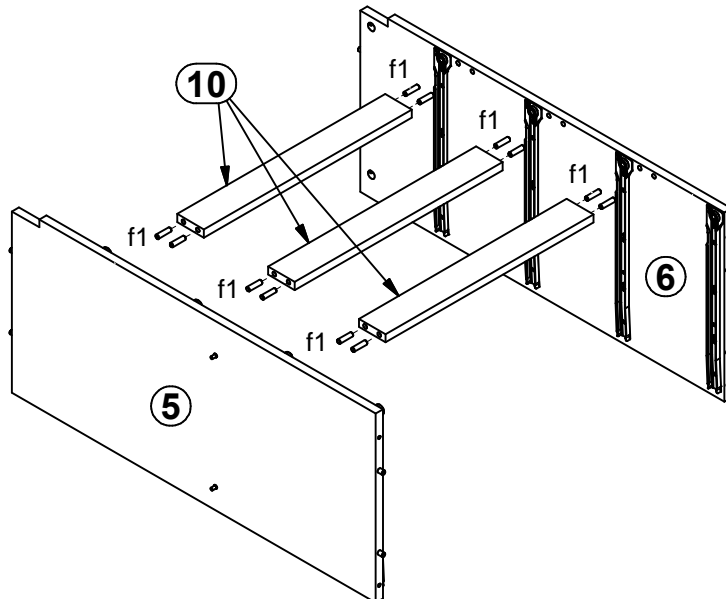


4x a43	4x b18 <small>D22.5</small>	8x d1 <small>φ5x17 mm</small>	10x e1 <small>φ7x50 mm</small>	16x e19 <small>φ5x9 mm</small>	8x e2 <small>φ6,3x13 mm</small>	24x e3 <small>φ6x13 mm</small>	32x f1 <small>φ8x30 mm</small>	16x f25 <small>φ6,5x40 mm</small>
4x k1	90x l1	8x p51 <small>φ3,5x15 mm</small>	8x r1 <small>φ1,5x12mm #16</small>	16x r15 <small>φ12x10,5mm #12</small>	24x r42	4x s1	4x w45 CL <small>350 mm</small>	4x w45 CR <small>350 mm</small>
4x w45 DL <small>350 mm</small>	4x w45 DR <small>350 mm</small>	4x s2 <small>φ16</small>	1x z1	1x n26 1	1x p38 <small>φ3,5x16 mm</small>	6x c370	6x j30 <small>M4x22 mm</small>	

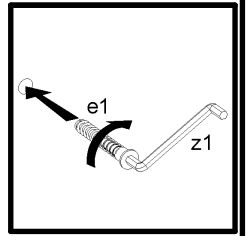
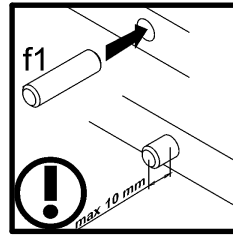
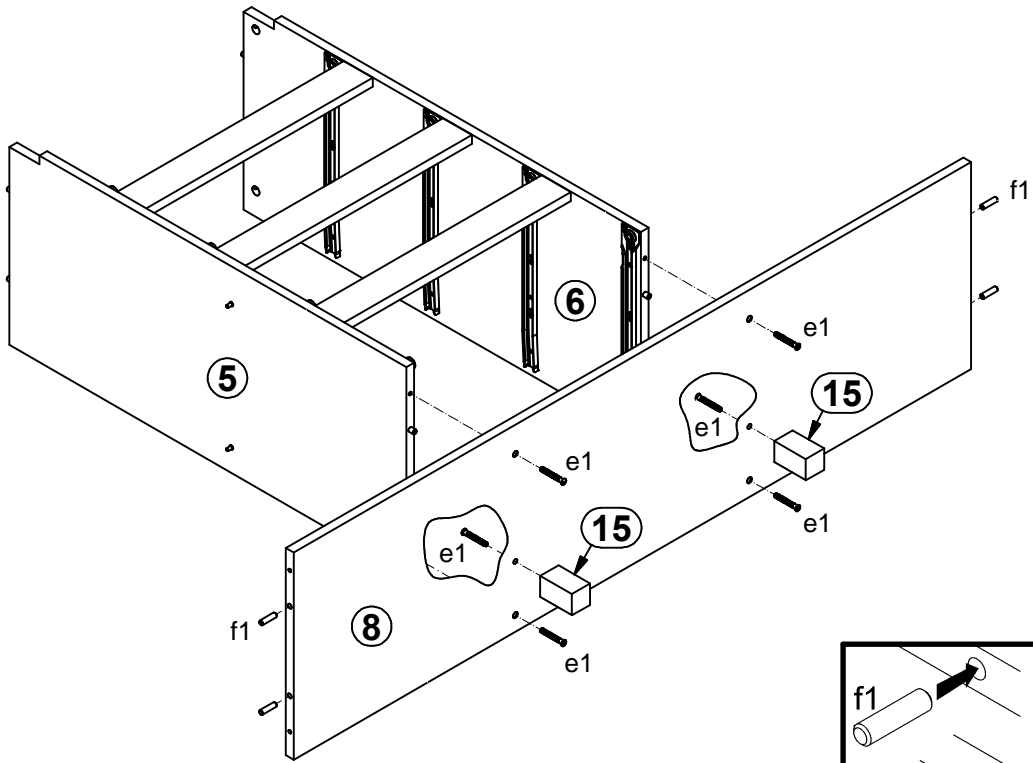
1



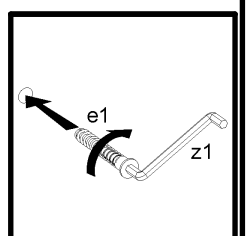
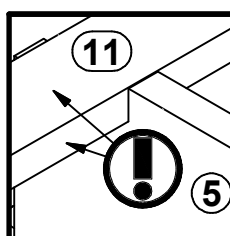
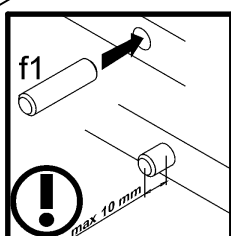
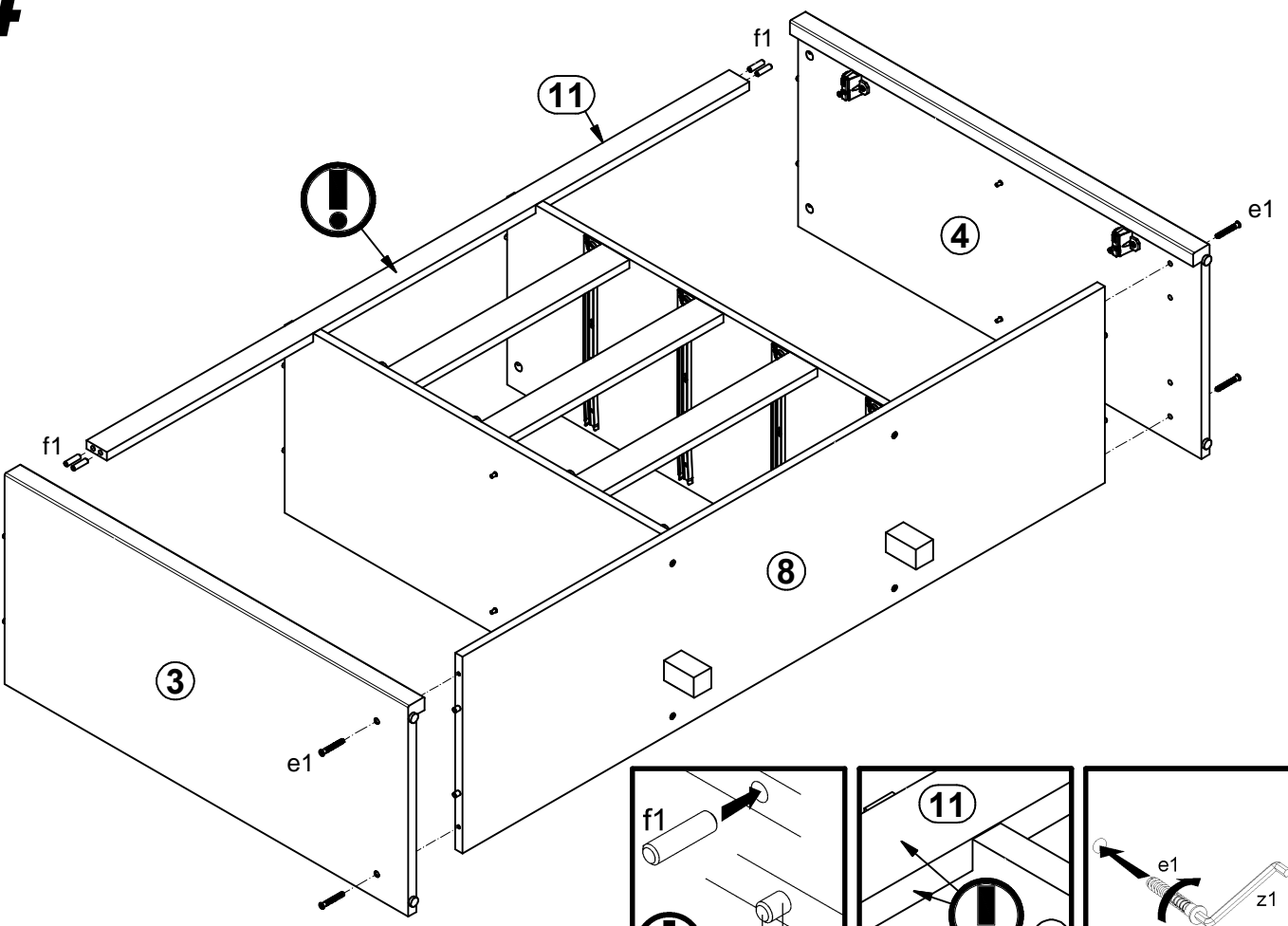
2



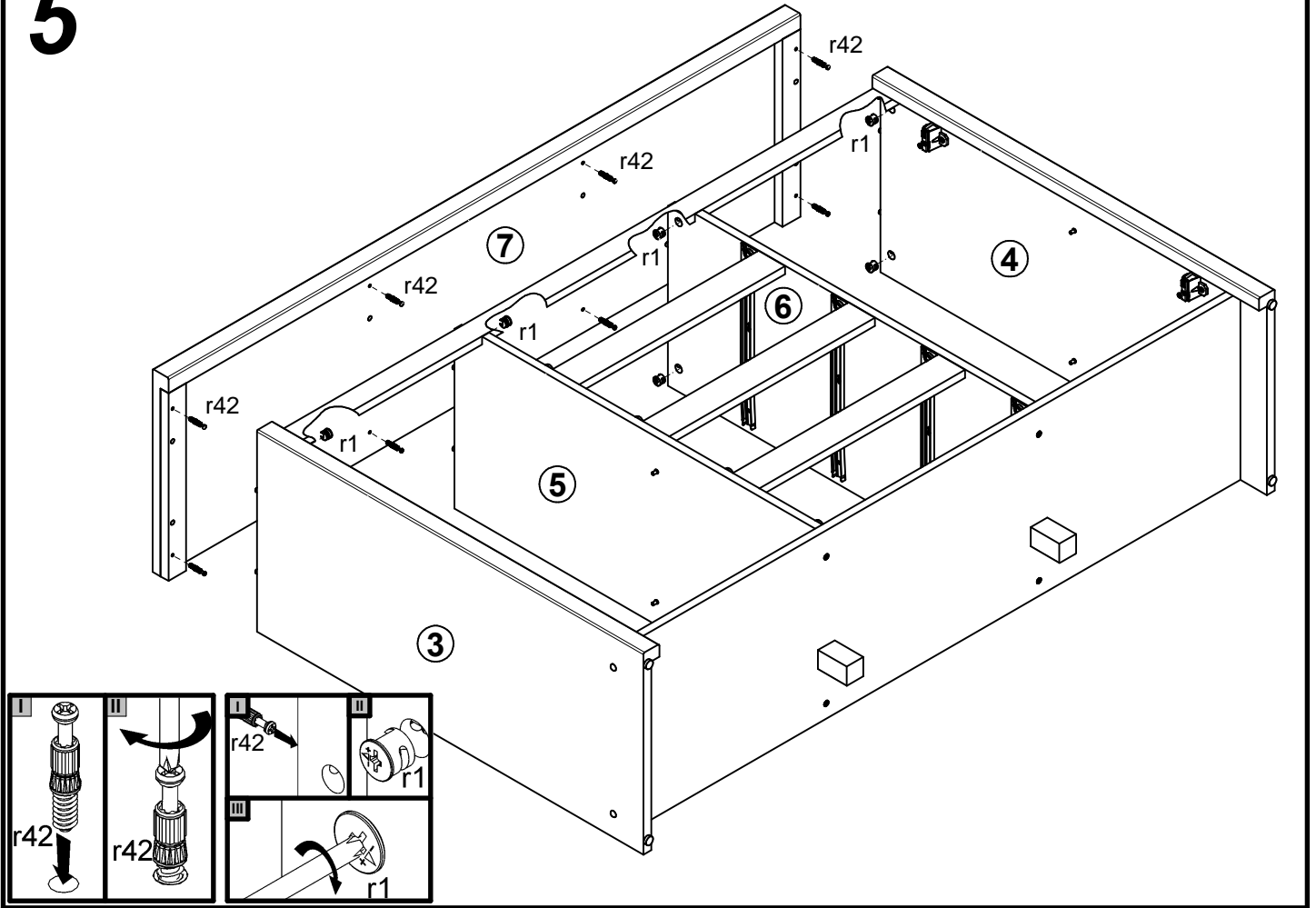
3



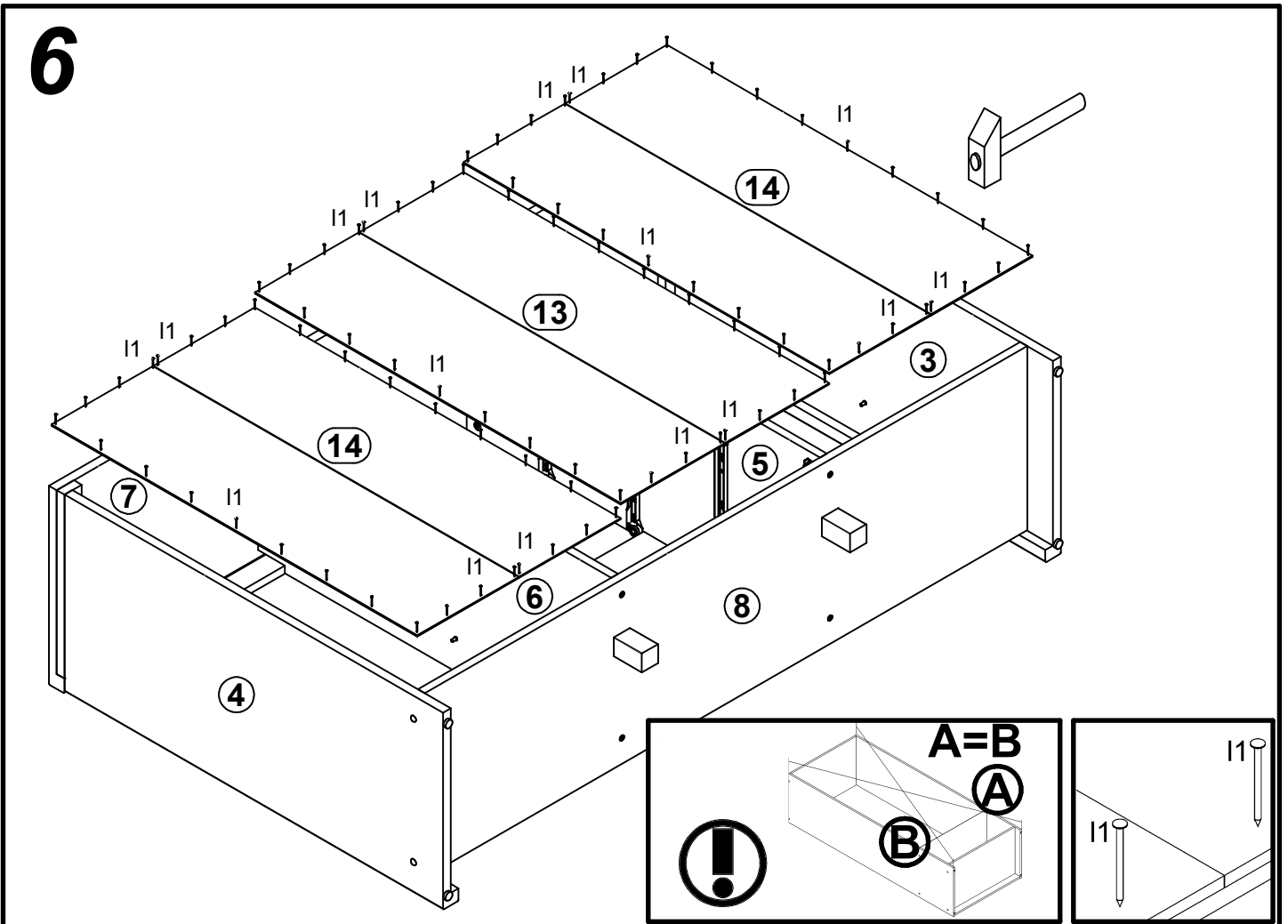
4



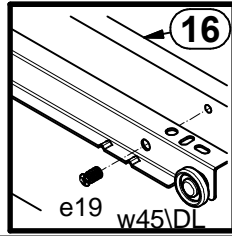
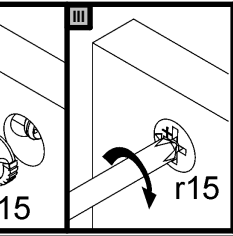
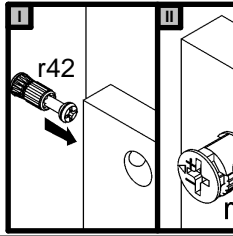
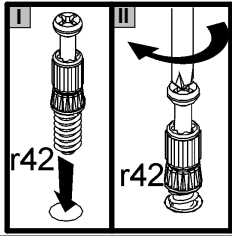
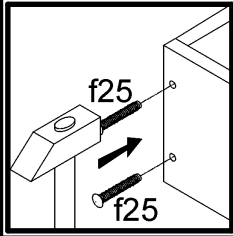
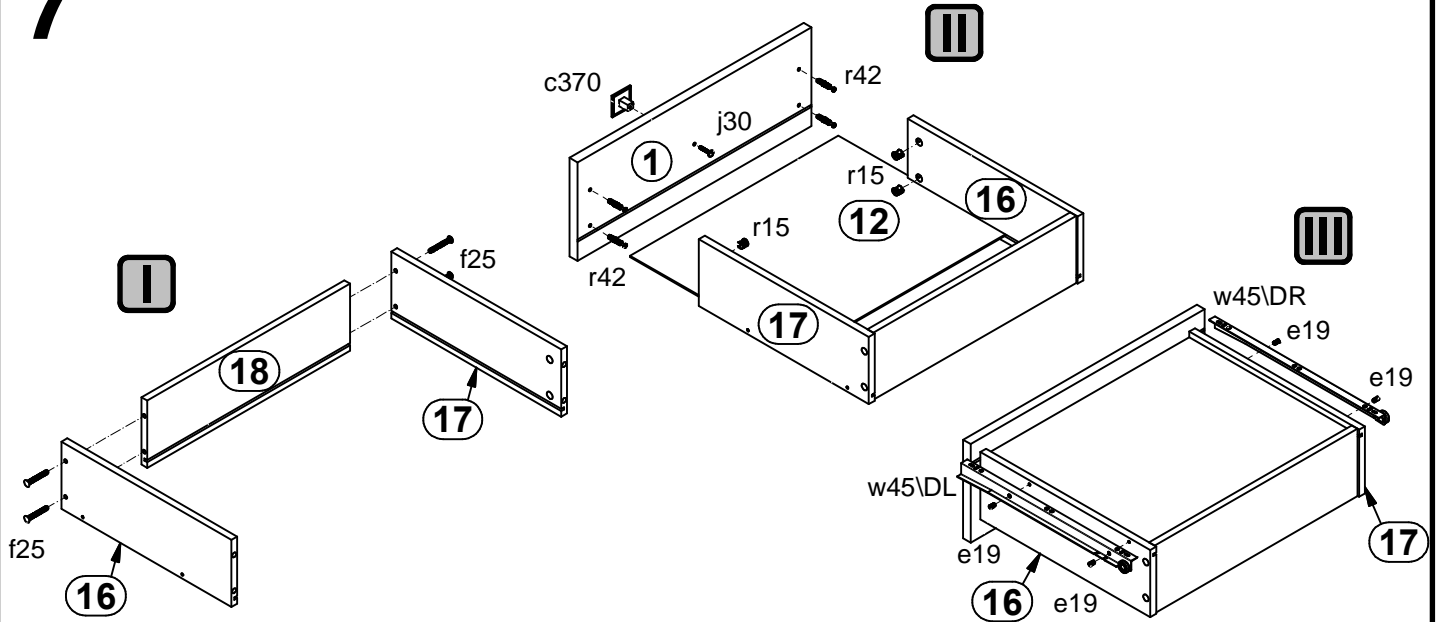
5



6



7



8

