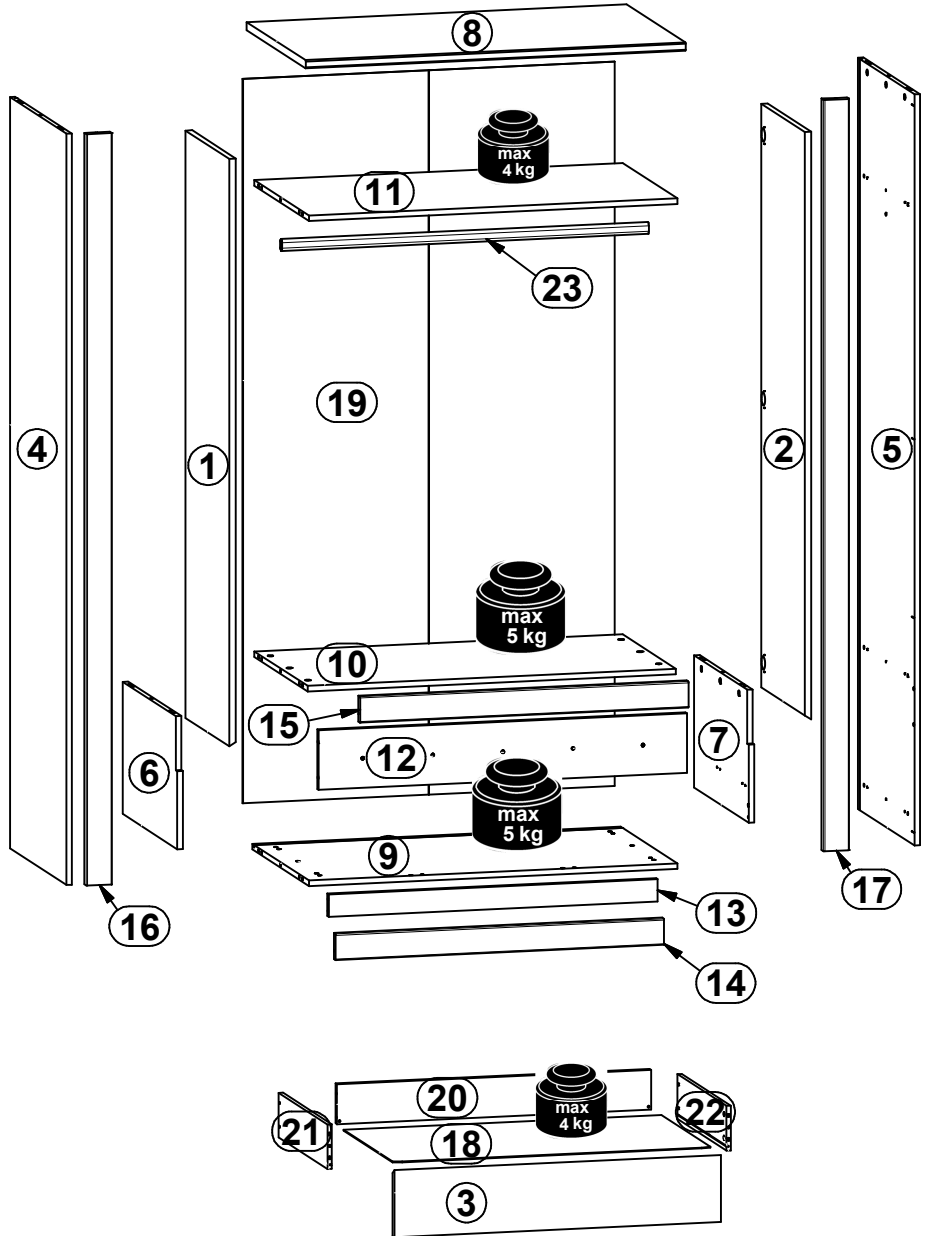
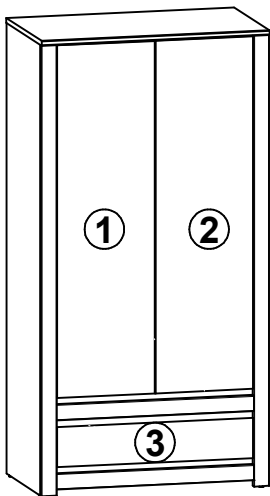
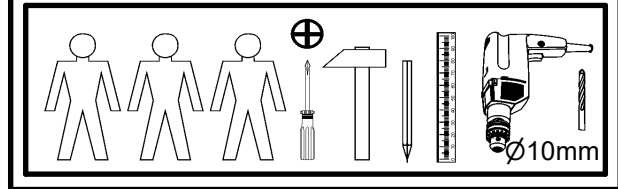
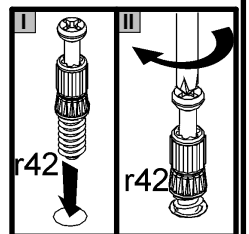
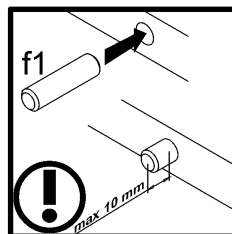
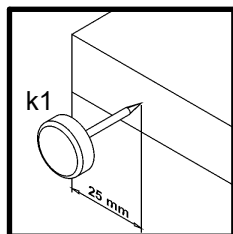
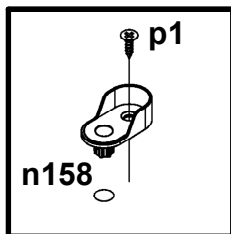
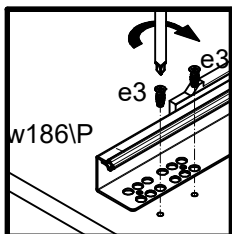
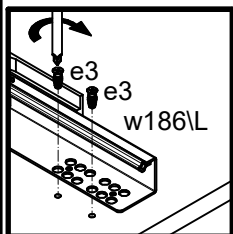
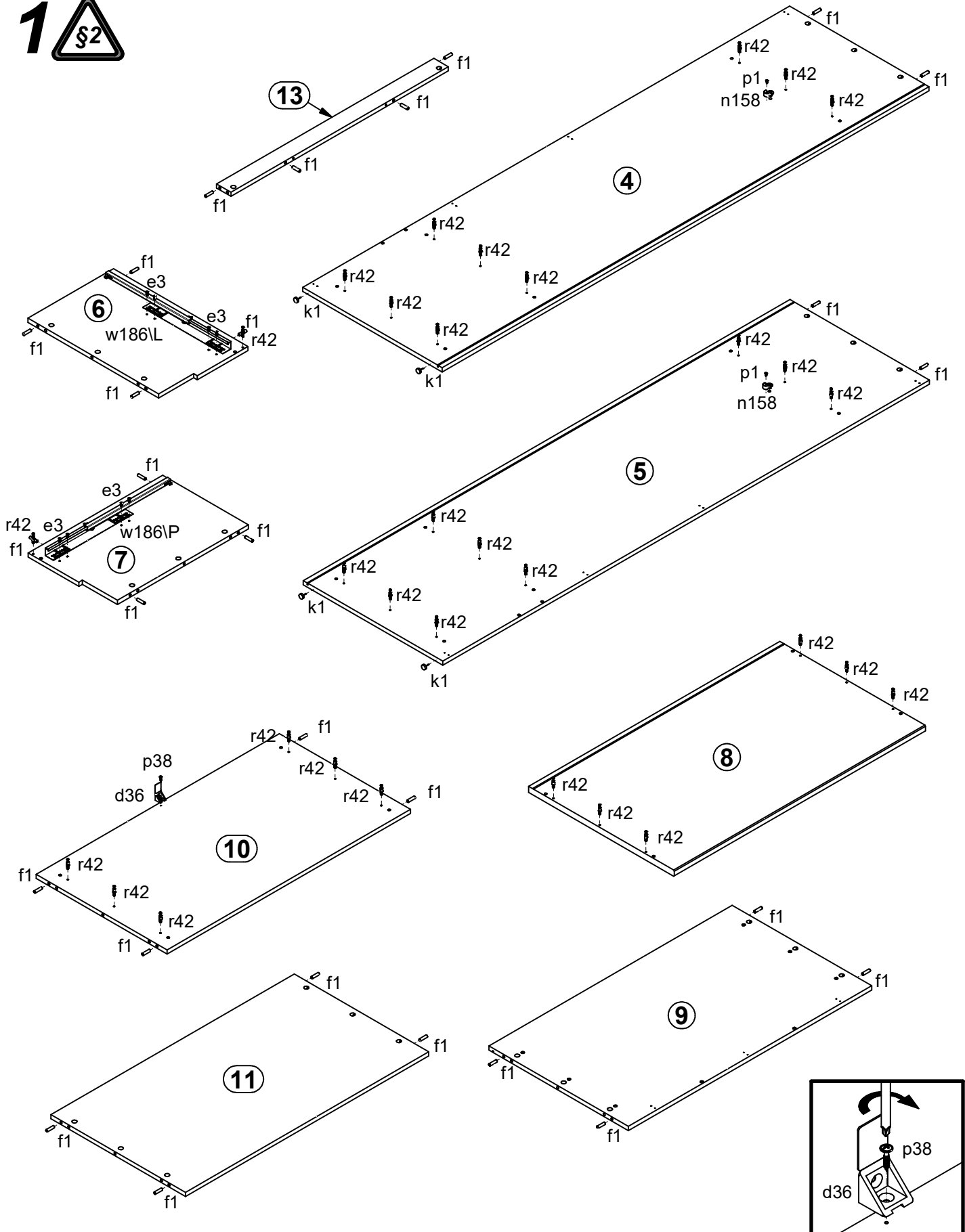


A	B	C	D	
1	S404-0021	1578	446	4/5
2	S404-0022	1578	446	4/5
3	S404-0023	895	180	5/5
4	S404-1032	2018	578	1/5
5	S404-1033	2018	578	1/5
6	S404-1034	355	558	2/5
7	S404-1035	355	558	2/5
8	S404-2009	1041	604	2/5
9	S404-3016	1009	578	3/5
10	S404-3017	1009	543	2/5
11	S404-3018	1009	558	3/5
12	S404-4013	1009	160	2/5
13	S404-4014	901	60	2/5
14	S404-5003	900	70	2/5
15	S404-5004	900	70	2/5
16	S404-5024	2018	70	1/5
17	S404-5025	2018	70	1/5
18	S404-9006	871	505	2/5
19	S404-9308	1946	1019	1/5
20	ZQ2-1553	861	107	2/5
21	ZQ3-529	500	120	2/5
22	ZQ3-530	500	120	2/5
23	dr-1005	1005	30	2/5

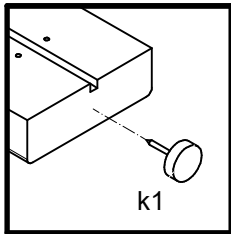
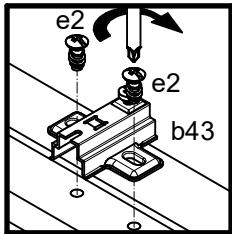
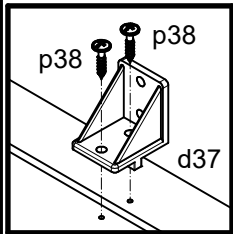
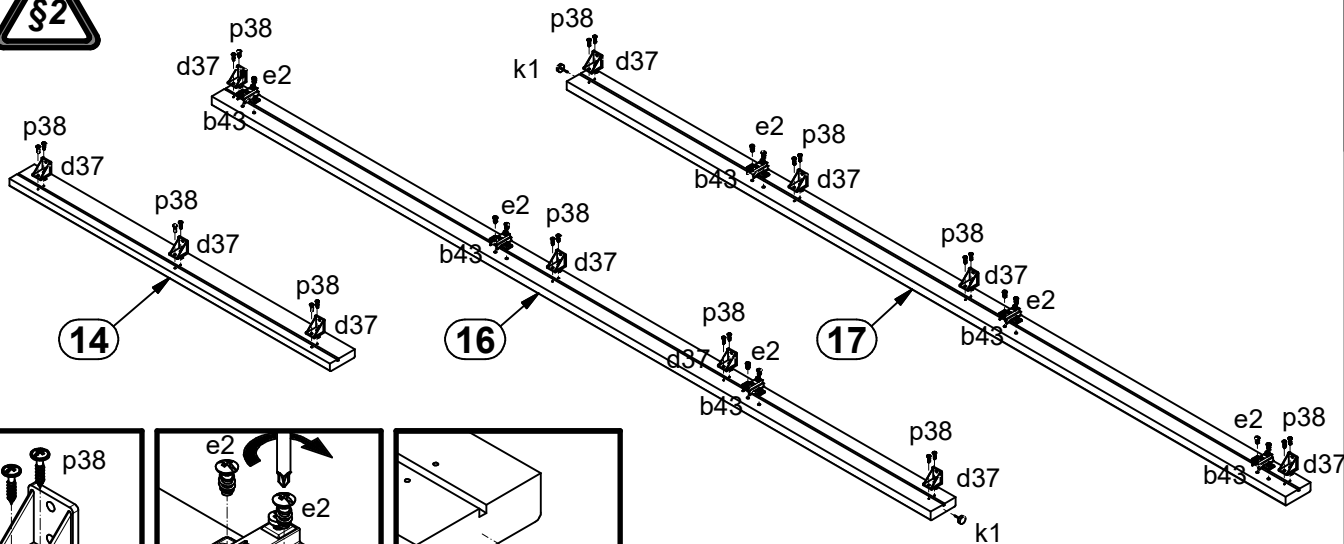


6x  a132	2x  a133	6x  b43	1x  d36	11x  d37	8x  Ø7x50 mm e1	12x  Ø6,3x13 mm e2	8x  Ø6x13 mm e3	3x  Ø7x24 mm e45
32x  Ø8x30 mm f1	2x  Ø6x30 mm f9	2x  Ø8x20 mm f13	4x  Ø6,5x40 mm f25	6x  k1	20x  1,4x20 mm l1	22x  l2	2x  n158	2x  Ø3,5x13 mm p1
1x  Ø3,5x16 mm p25	1x  Ø3,5x10 mm p35	54x  Ø3,5x16 mm p38	12x  Ø3,5x15 mm p51	2x  Ø2,9x16 mm p55	32x  Ø15x12 mm #16 r1	4x  Ø12x10,5 mm #12 r15	36x  20/11 r42	12x  Ø16 s2
1x  500 mm t34	1x  L=500 mm w186L	1x  L=500 mm w186P	1x  4 mm z1			1x  n26/1	1x  Ø3,5x16 mm p38	

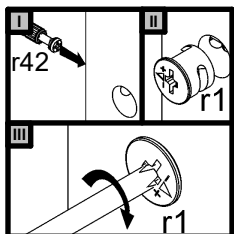
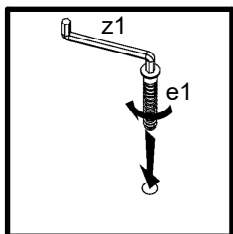
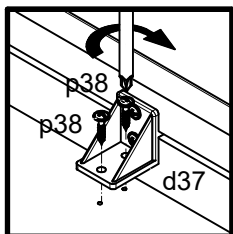
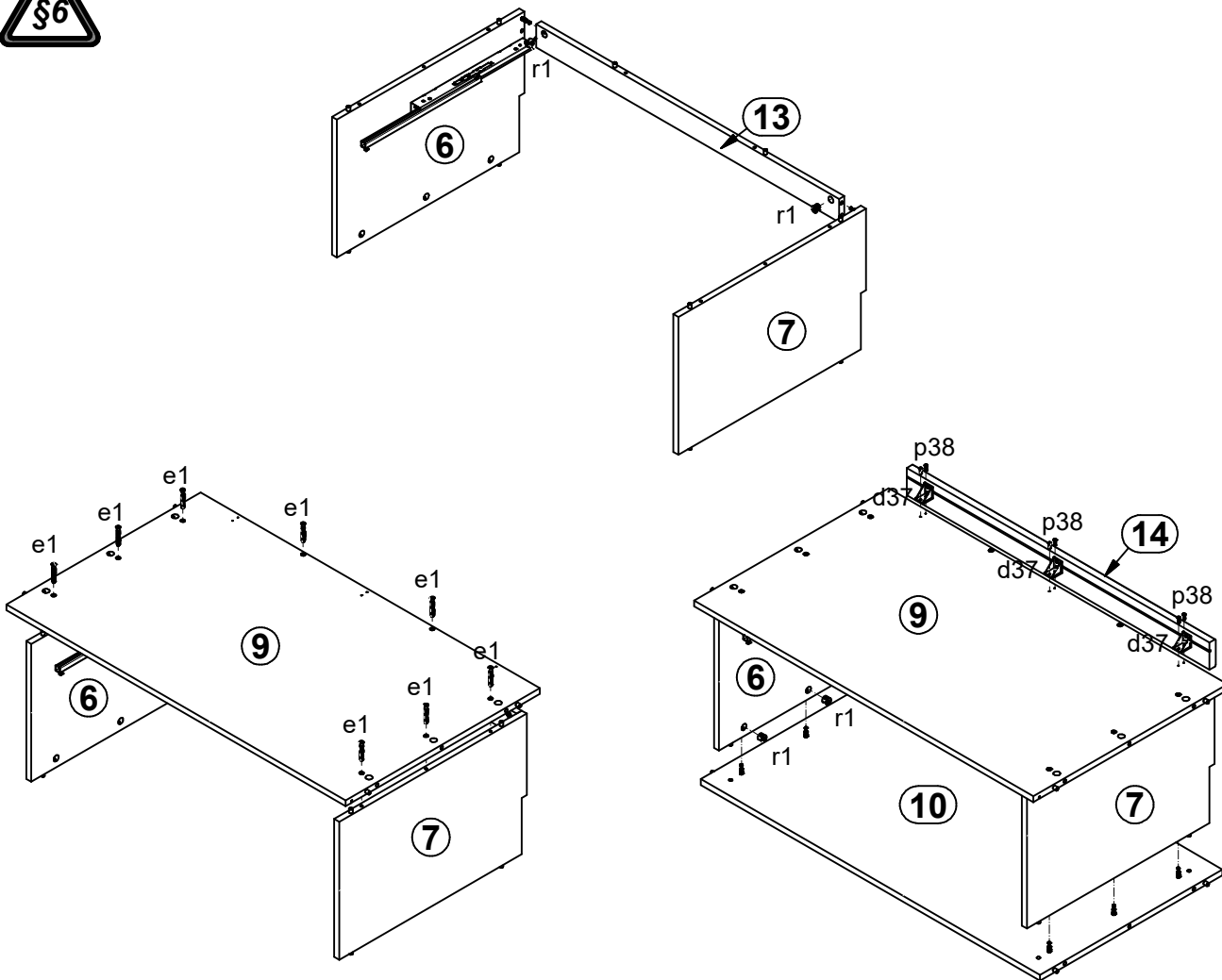
1 



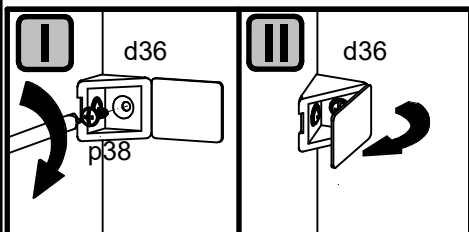
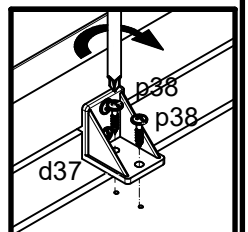
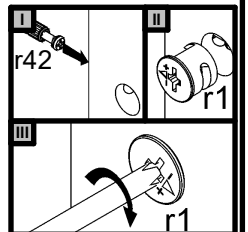
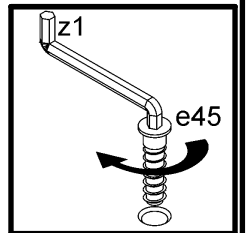
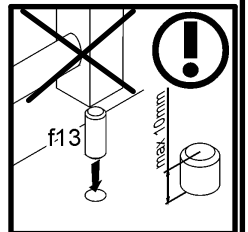
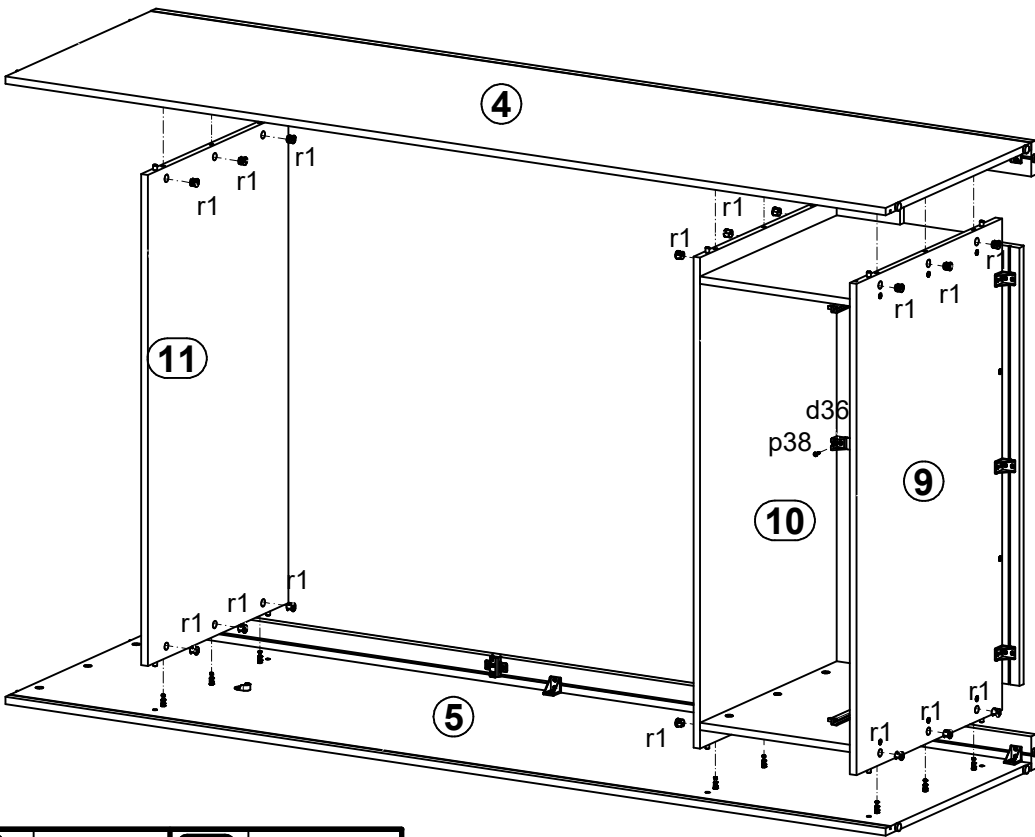
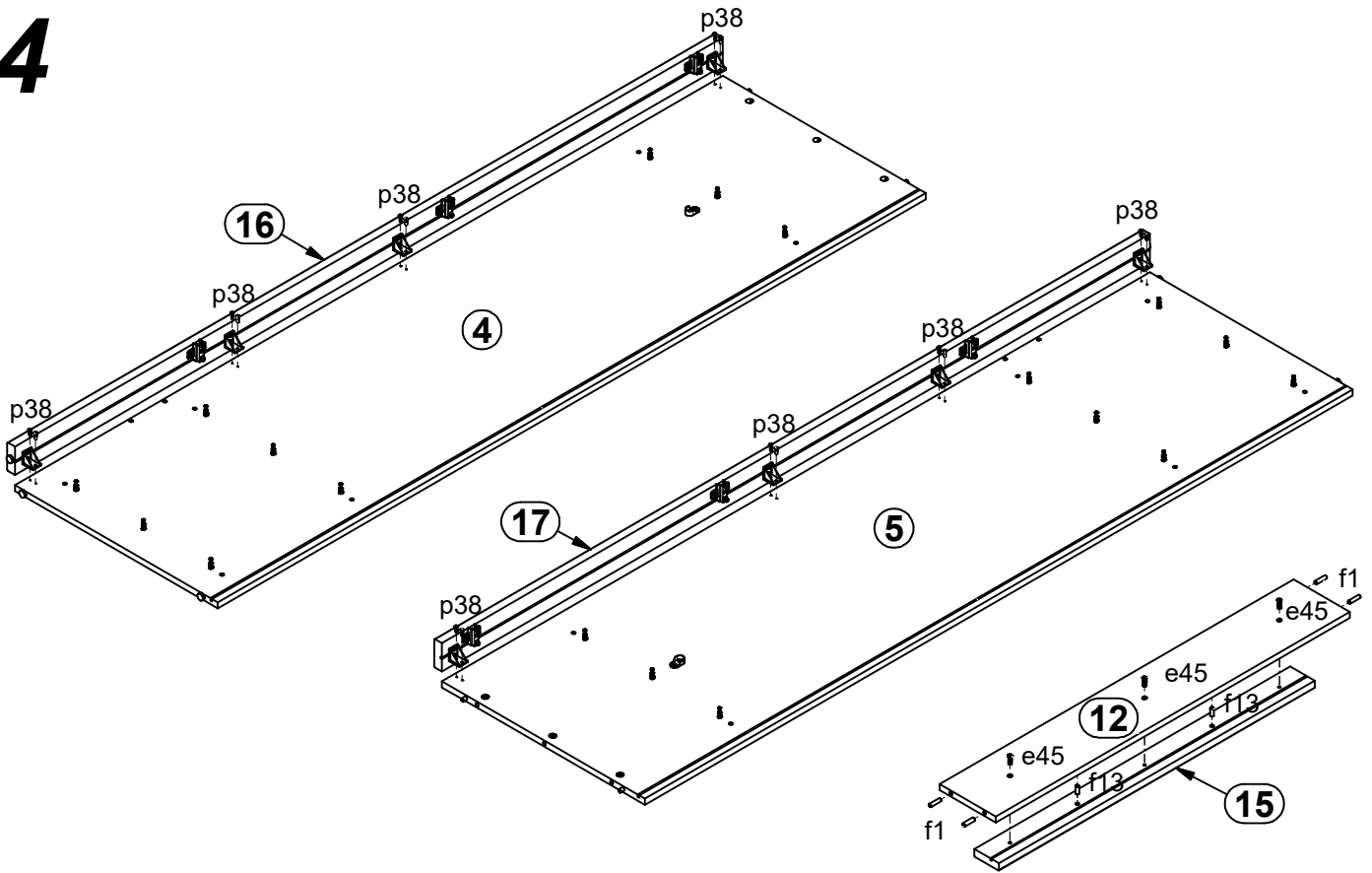
# 2



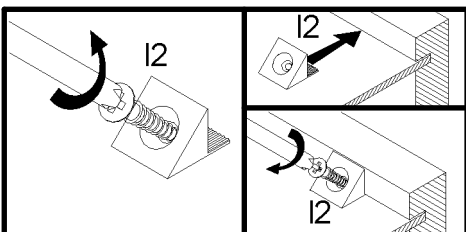
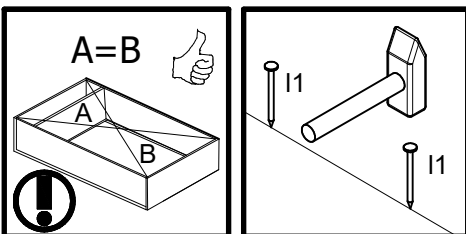
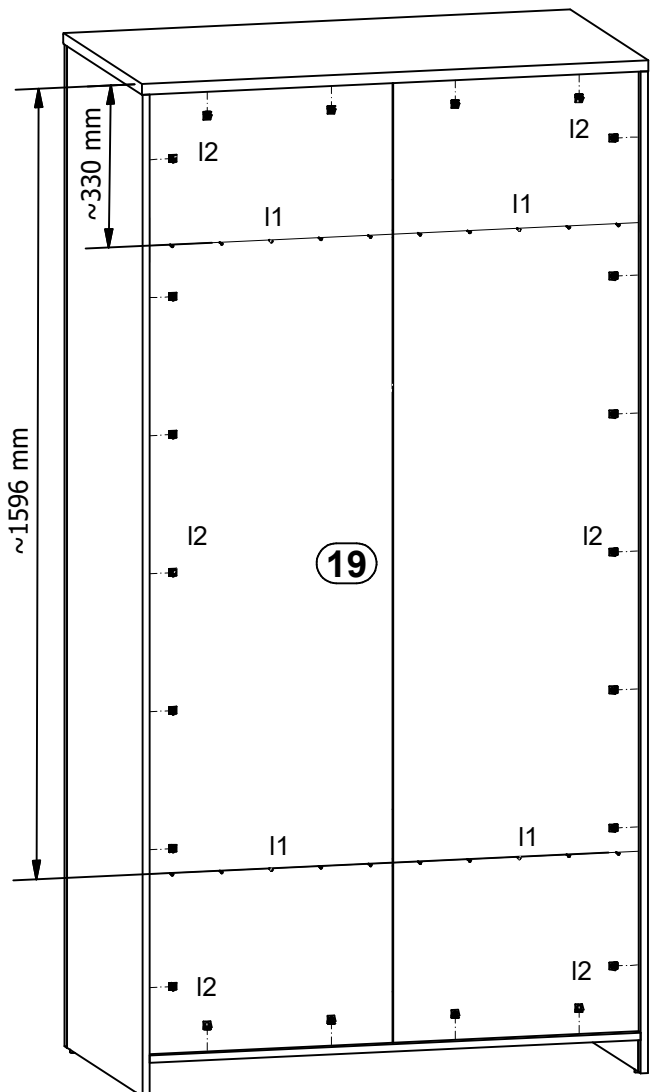
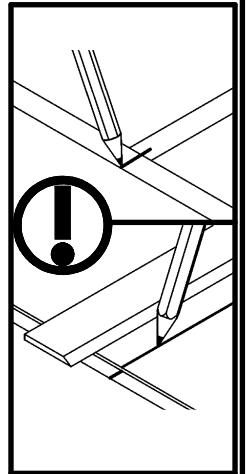
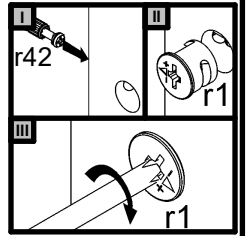
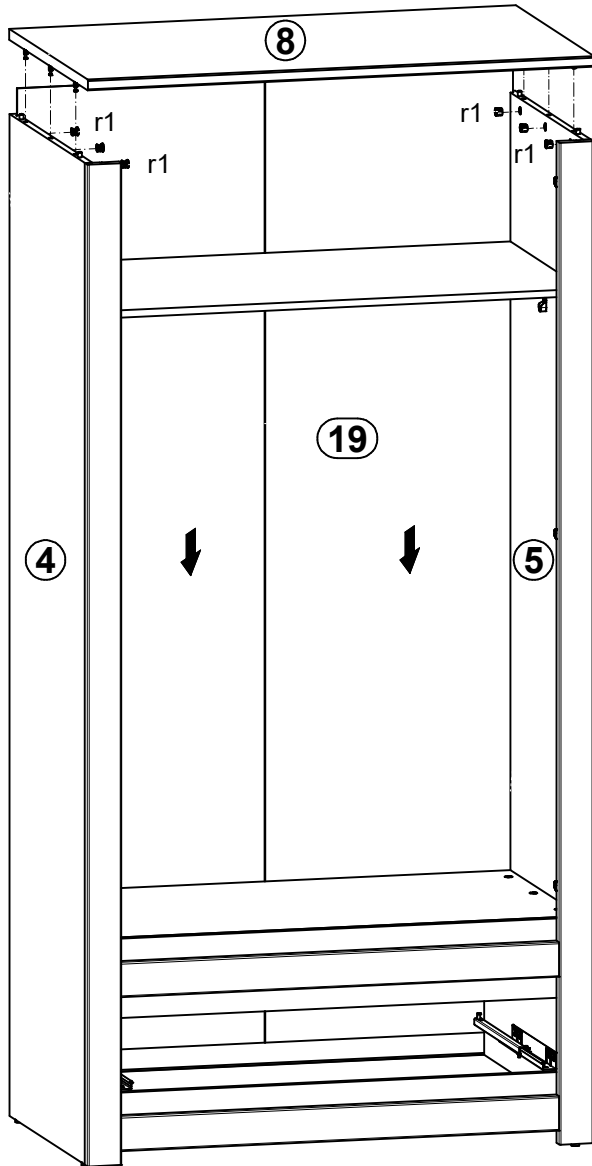
# 3



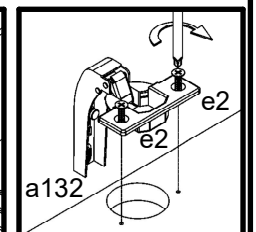
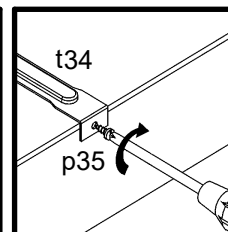
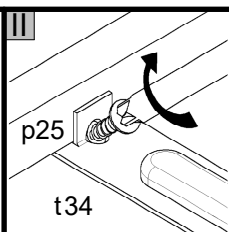
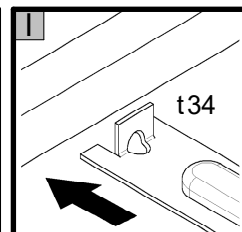
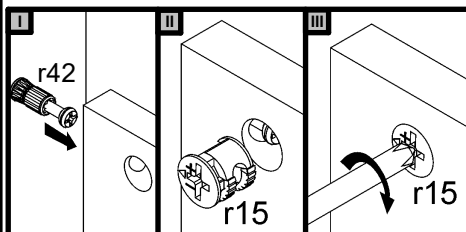
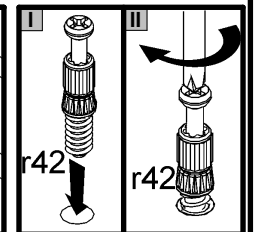
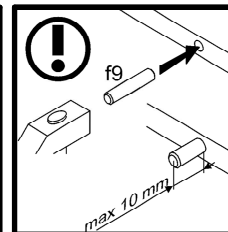
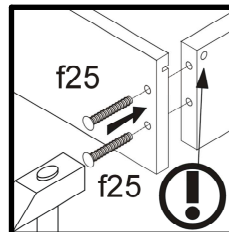
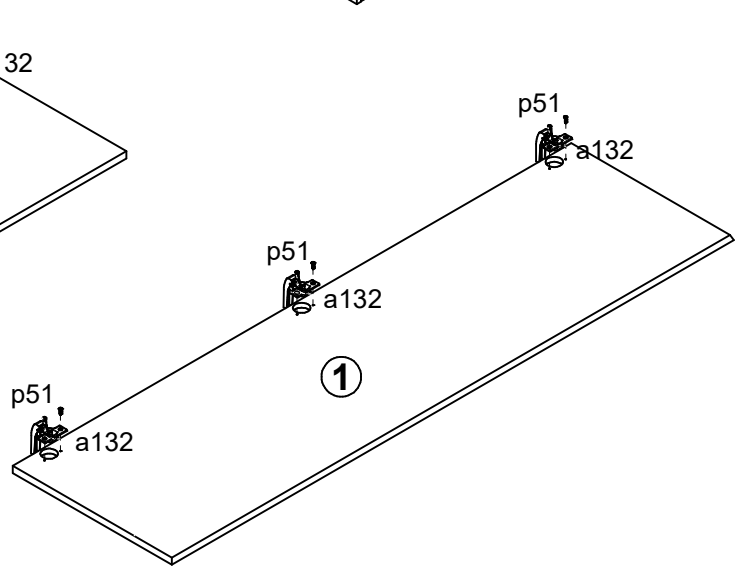
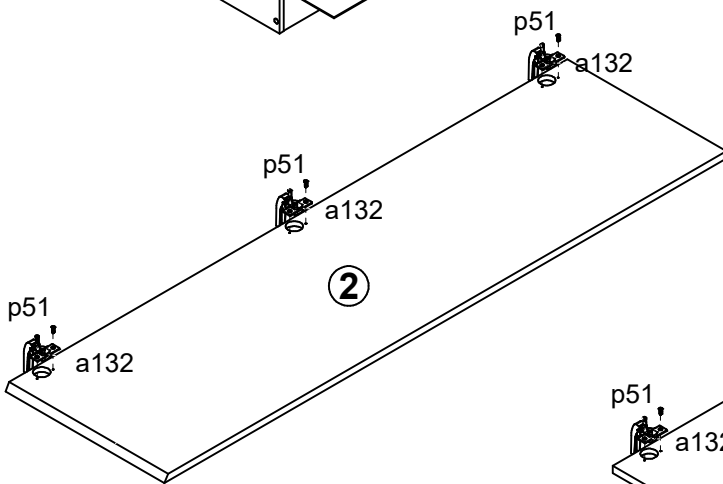
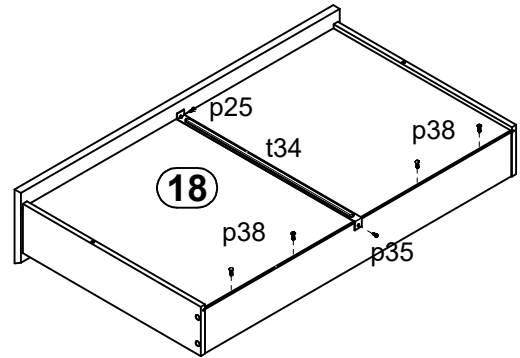
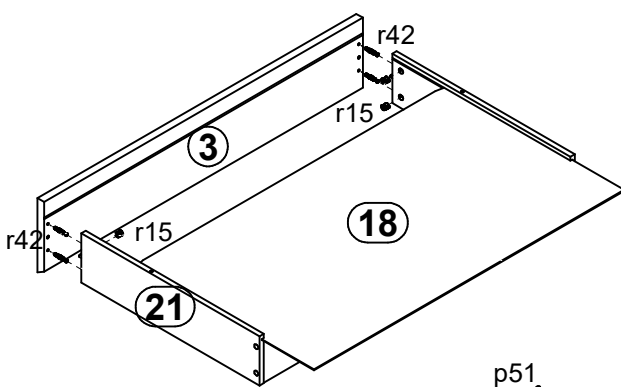
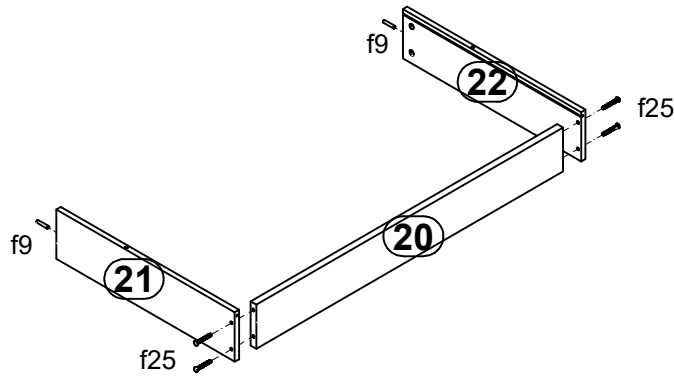
# 4



# 5



# 6



# 7

