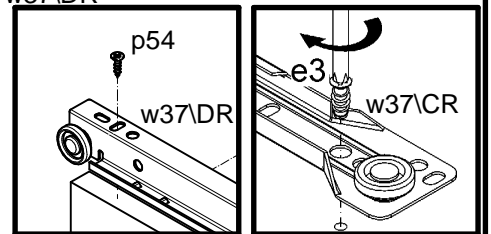
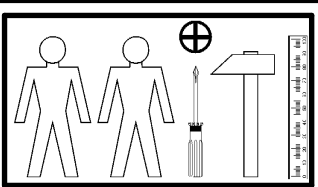
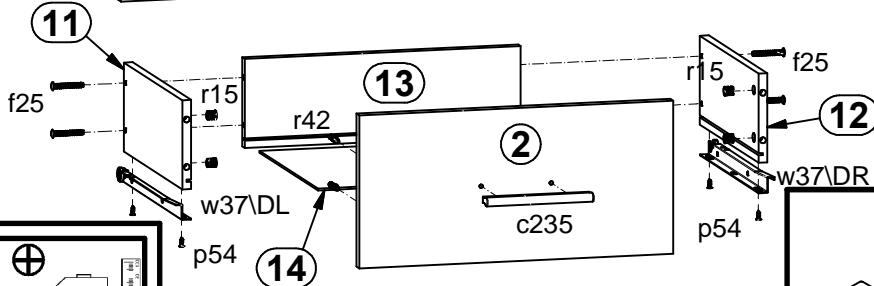
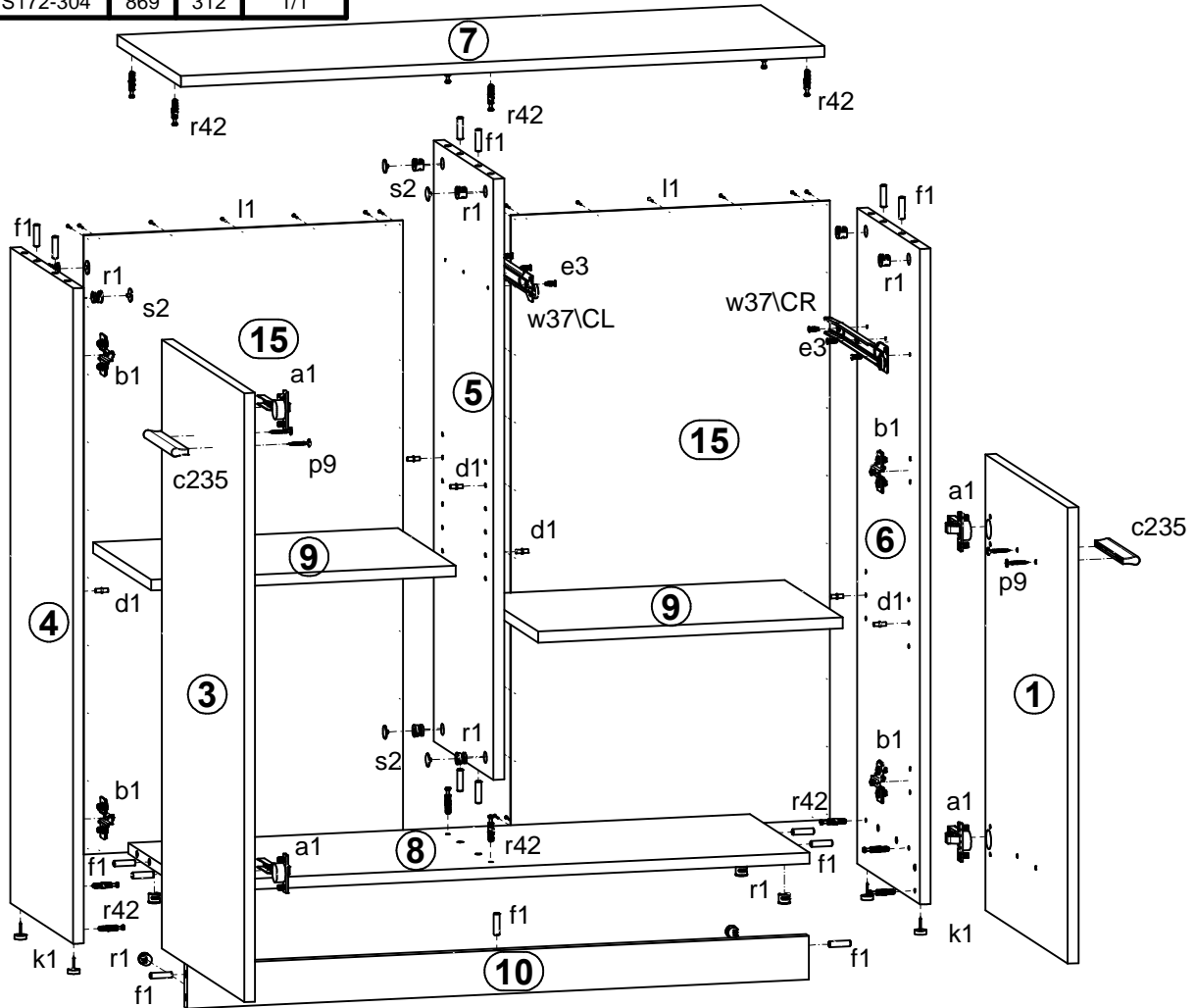
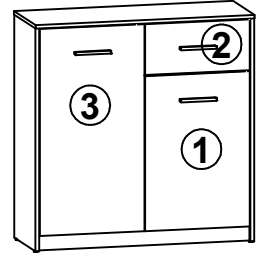


# KOMX

# S172-KOM2D1S/9/9

A	B	C	D	A	B	C	D		
1	S172-006	626	430	1/1	9	S172-305	426	302	1/1
2	S172-008	430	206	1/1	10	S172-402	869	60	1/1
3	S172-009	836	430	1/1	11	S172-501	300	120	1/1
4	S172-101	900	330	1/1	12	S172-502	300	120	1/1
5	S172-105	825	312	1/1	13	S172-505	378	120	1/1
6	S172-108	900	330	1/1	14	S172-905	388	298	1/1
7	S172-202	900	333	1/1	15	S172-906	850	446	1/1
8	S172-304	869	312	1/1					



4x  a1	4x  b1	3x  L=96/128 mm c235	8x  Ø5x17 mm d1	6x  Ø6x13 mm e3	15x  Ø8x30 mm f1	4x  Ø6.5x40 mm f25	4x  k1	60x  l1
4x  Ø3x12 mm p54	6x  Ø4x30 mm p9	14x  Ø15x12 mm #16 r1	4x  Ø12x10.5 mm #12 r15	18x  r42	6x  Ø16 s2	1x  300 mm w37CL	1x  300 mm w37CR	1x  300 mm w37DL
1x  300 mm w37DR	1x  n26/1	1x  Ø3.5x16 mm p38						