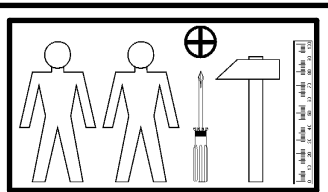
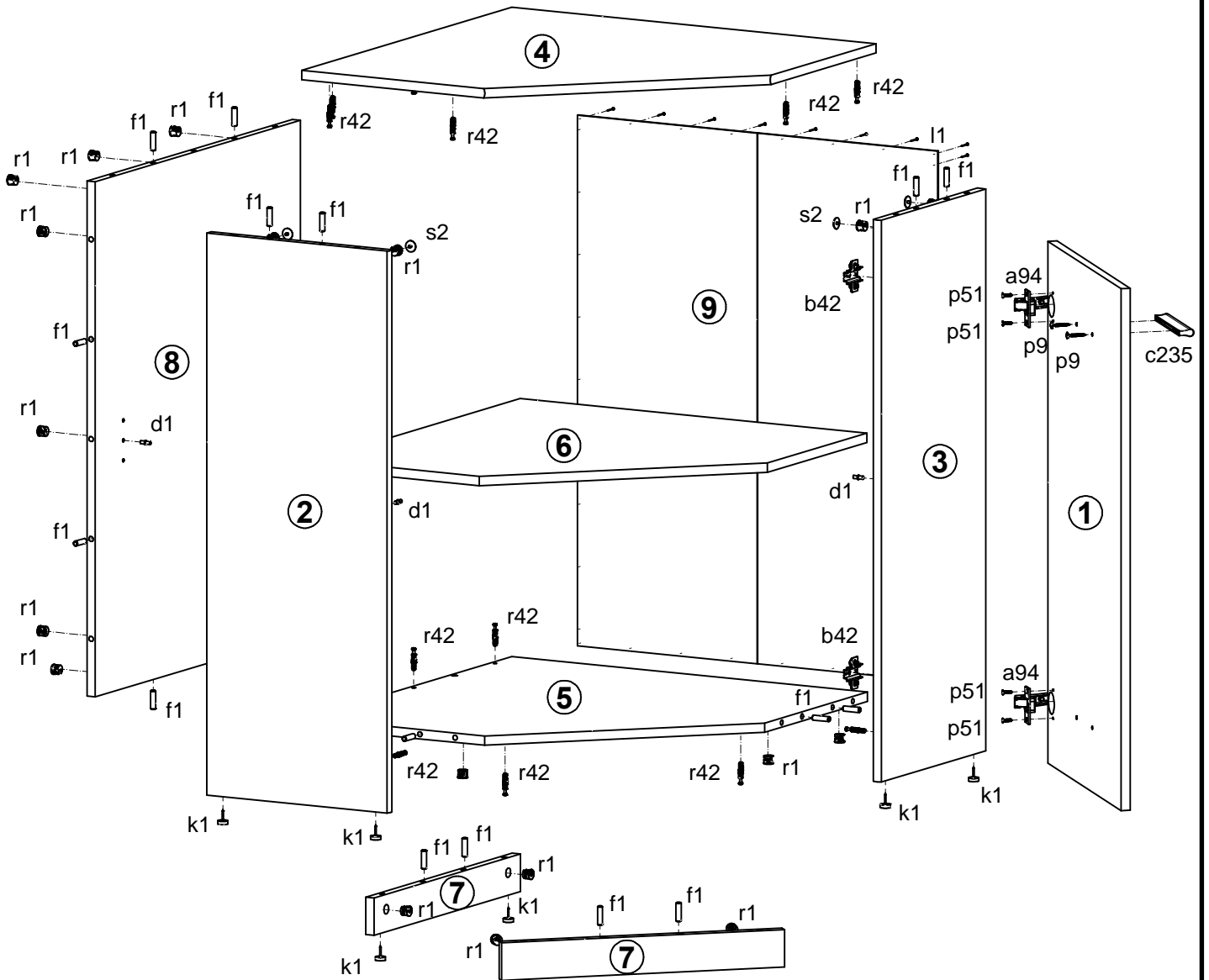
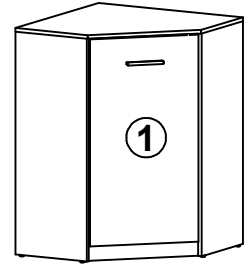
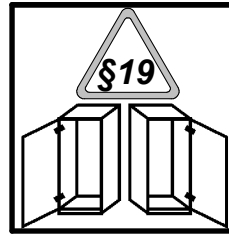


A	B	C	D
1	S172-012	836	446 1/1
2	S172-113	900	330 1/1
3	S172-114	900	330 1/1
4	S172-205	662	662 1/1
5	S172-314	646	646,5 1/1
6	S172-315	630	645 1/1
7	S172-404	461	60 1/1
8	S172-407	825	646,5 1/1
9	S172-9905	850	655 1/1



2x a94	2x b42	1x c235 L=96/128 mm	6x d1 Ø5x17 mm	18x f1 Ø8x30 mm	6x k1	34x l1	4x p51 Ø3.5x15 mm	2x p9 Ø4x30 mm
21x r1 Ø15x12 mm #16	21x r42	4x s2 Ø16	1x n26/1	1x p38 Ø3.5x16 mm				