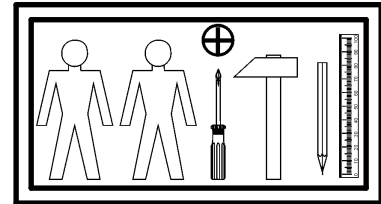
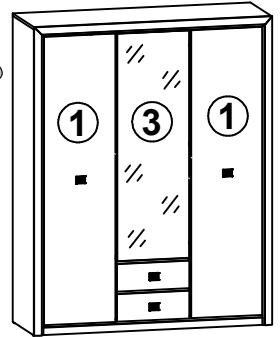


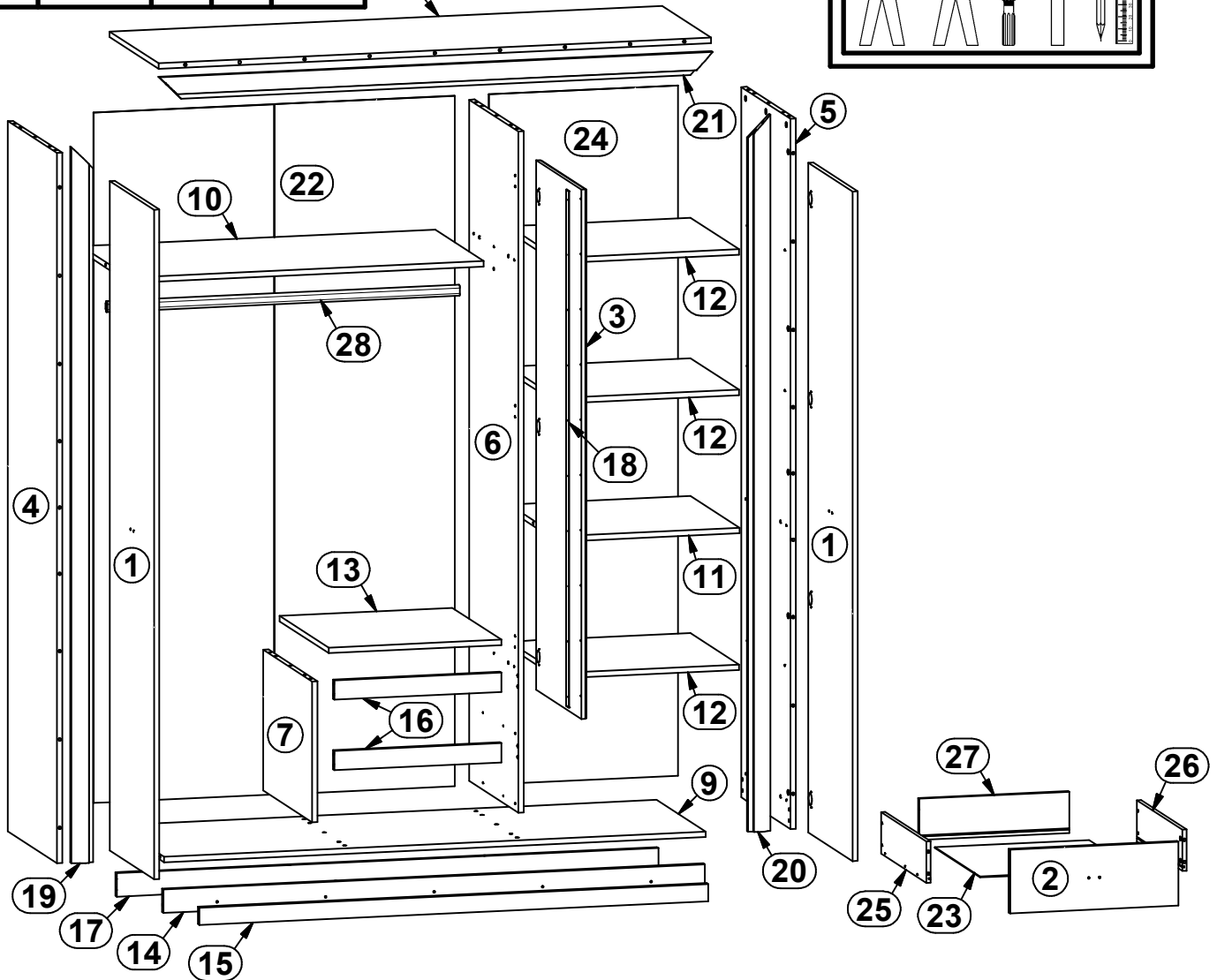
KOEN

S136-SZF3D2S

A	B	C	D	A	B	C	D		
1	S136-013	1940	488	5/5	16	S136-414	492	56	2/5
2	S136-014	496	185	5/5	17	S136-428	1597	68	2/5
3	S136-017	1534	496	5/5	18	S136-505	1496	29	2/5
4	S136-144	2058	540	1/5	19	S136-593	2075	65	4/5
5	S136-145	2058	540	1/5	20	S136-594	2075	65	4/5
6	S136-146	1974	540	1/5	21	S136-595	1631	65	4/5
7	S136-147	408	540	2/5	22	S136-919	2000	1065	1/5
8	S136-212	1630	540	2/5	23	S136-920	454	498	3/5
9	S136-316	1597	540	2/5	24	S136-923	2000	557	1/5
10	S136-319	1044	535	3/5	25	ZS2-509	500	120	3/5
11	S136-320	536	540	3/5	26	ZS2-510	500	120	3/5
12	S136-321	535	535	3/5	27	ZS2-5537	443	120	3/5
13	S136-322	509	540	3/5	28	dr-1038	1038	30	2/5
14	S136-412	1597	68	2/5					
15	S136-413	1501	50	2/5					

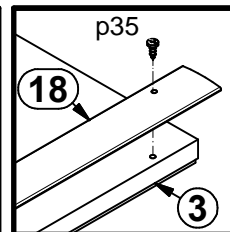
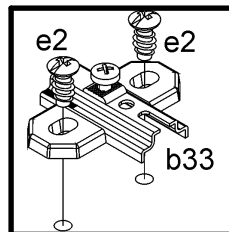
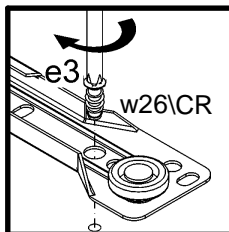
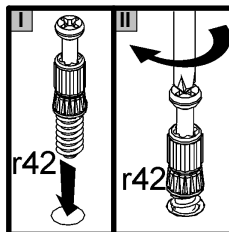
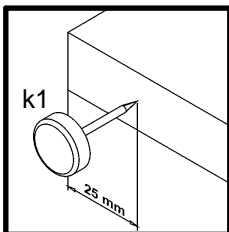
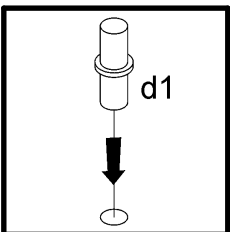
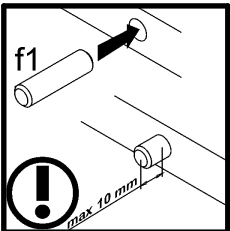
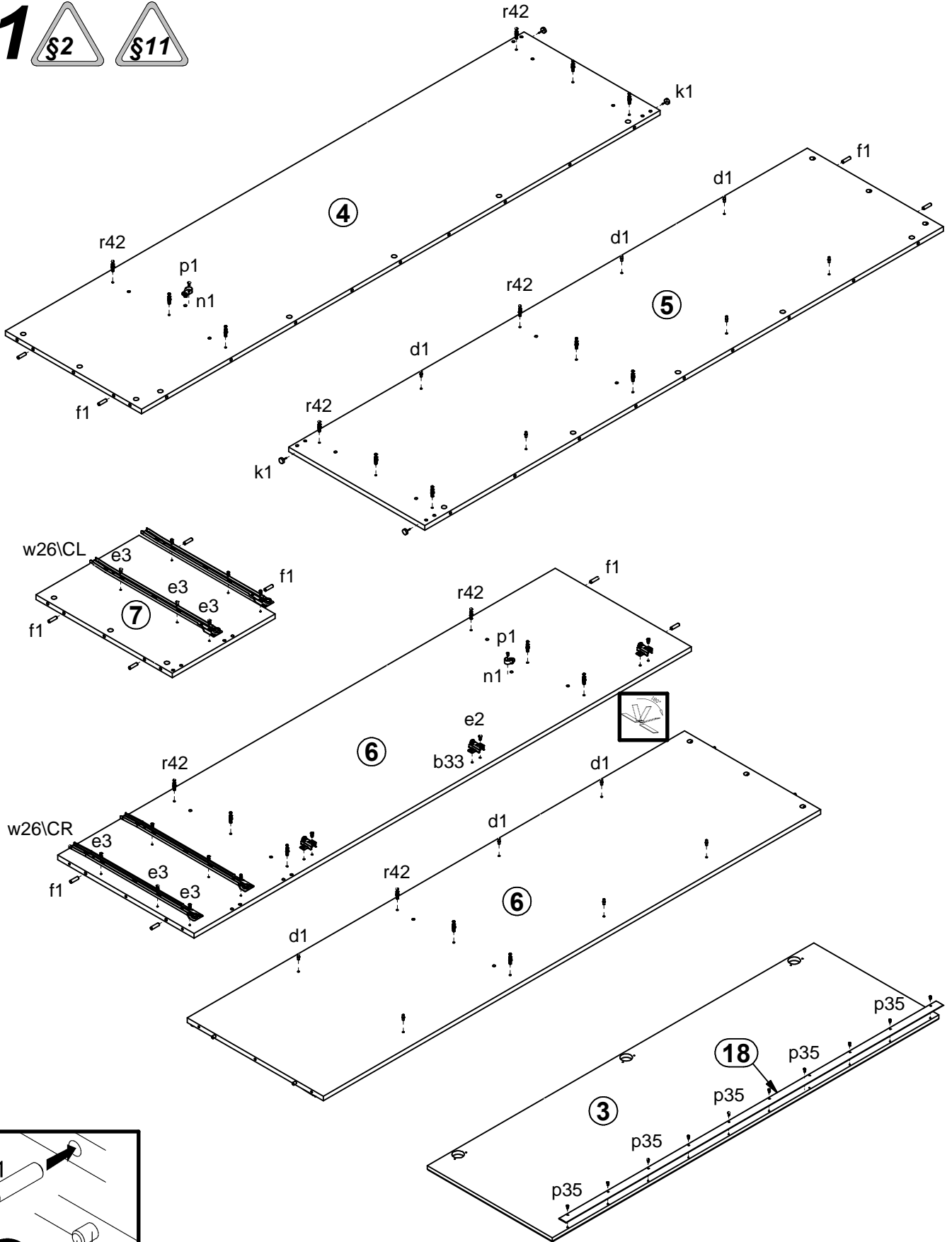


8

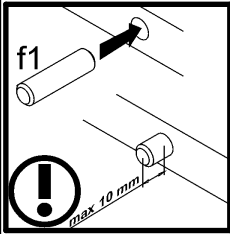
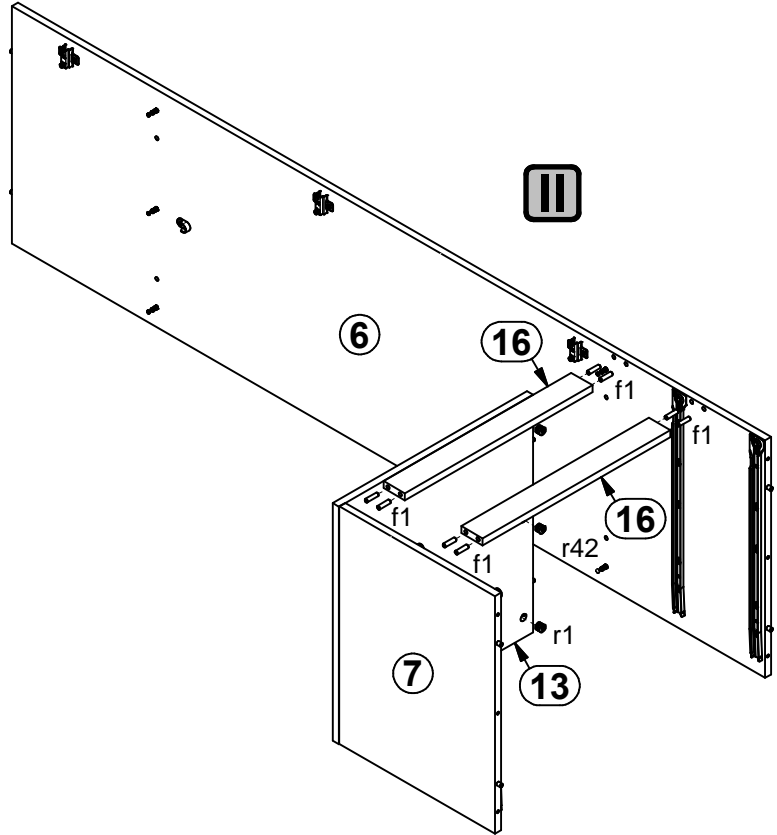
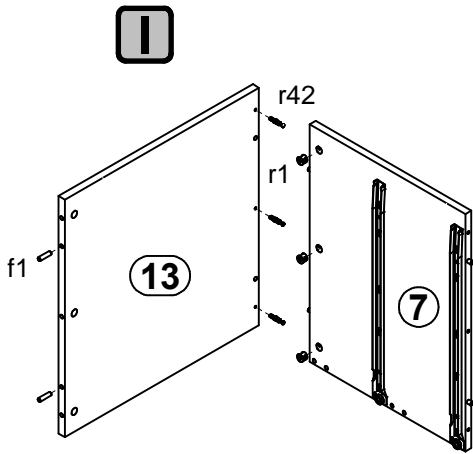


3x a68	8x a99	3x b33	8x b43	4x c317	12x φ5x17 mm d1	6x φ7x50 mm e1	12x φ5x9 mm e19	22x φ6,3x13 mm e2
12x φ6x13 mm e3	60x φ8x30 mm f1	8x φ6,5x40 mm f25	8x M4x22 mm j30	6x k1	150x l1	2x n1	8x φ3,5x13 mm p1	10x φ3,5x10 mm p35
16x φ3,5x15 mm p51	5x φ4x28 mm p94	52x φ1,5x12 mm #16 r1	2x r10	8x φ12x10,5 mm #12 r15	56x r42	15x ø16 s2	2x 500 mm w26 CL	2x 500 mm w26 CR
2x 500 mm w26 DL	2x 500 mm w26 DR	1x z1	1x n26 1	1x φ3,5x16 mm p38				

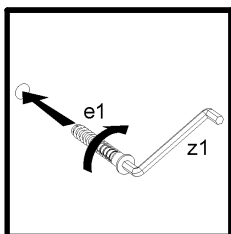
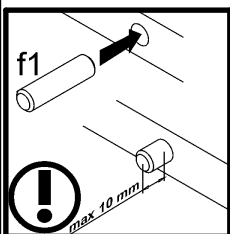
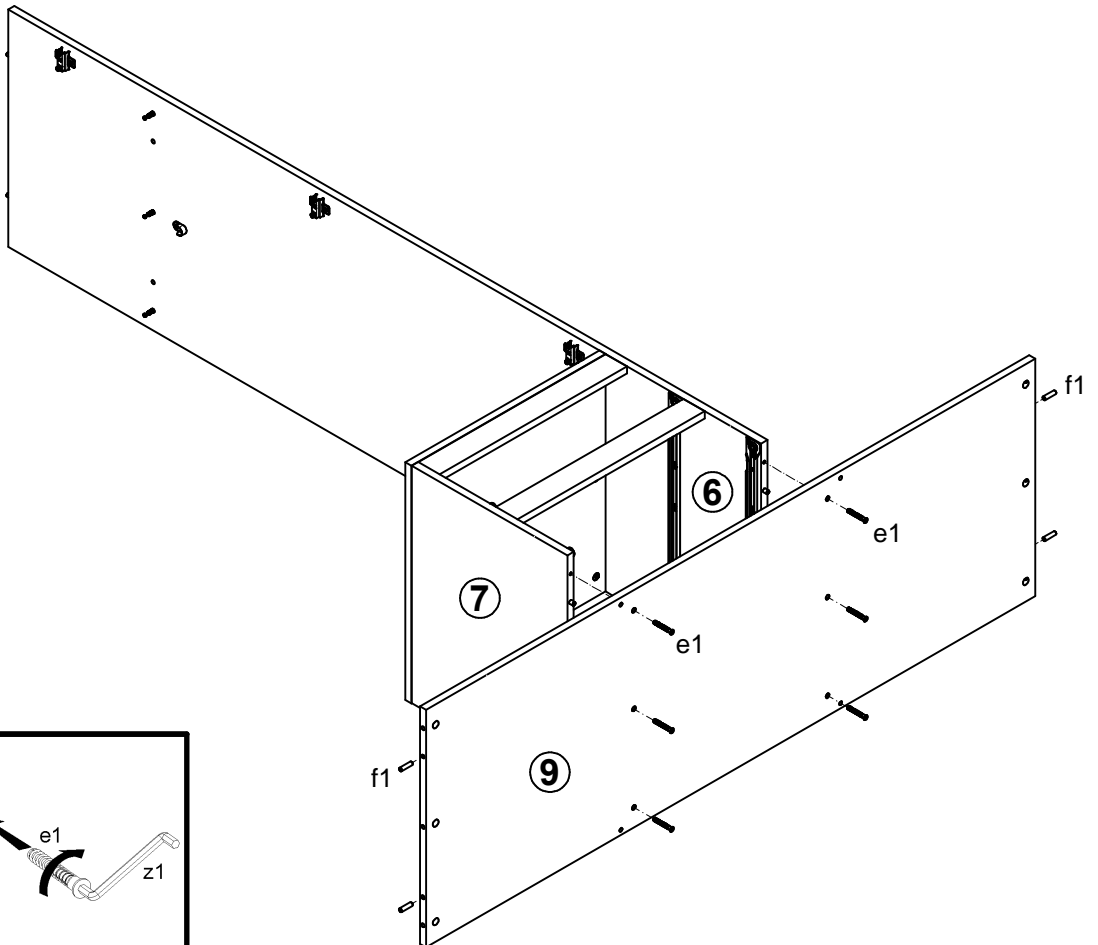
1 §2 §11



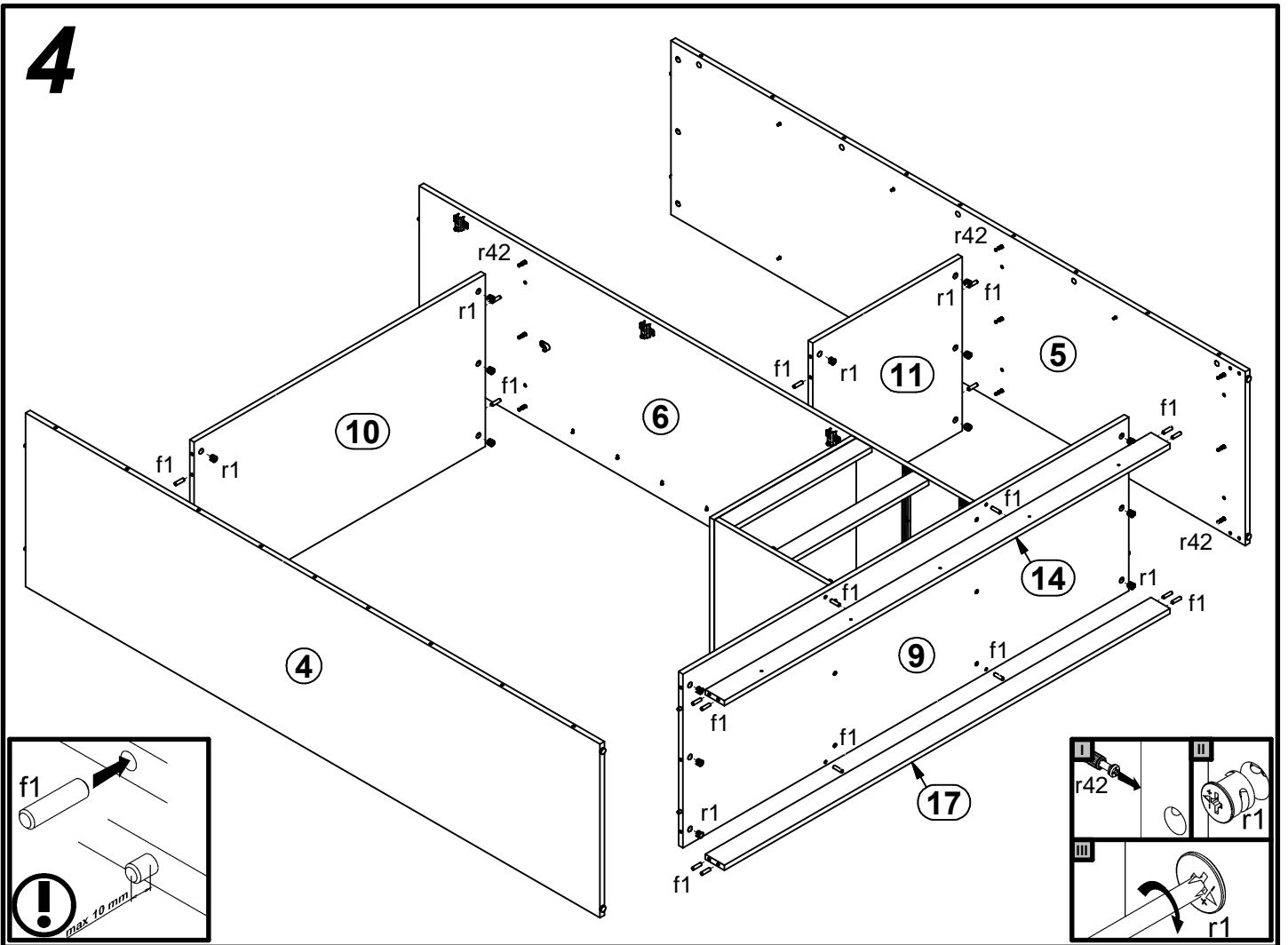
2



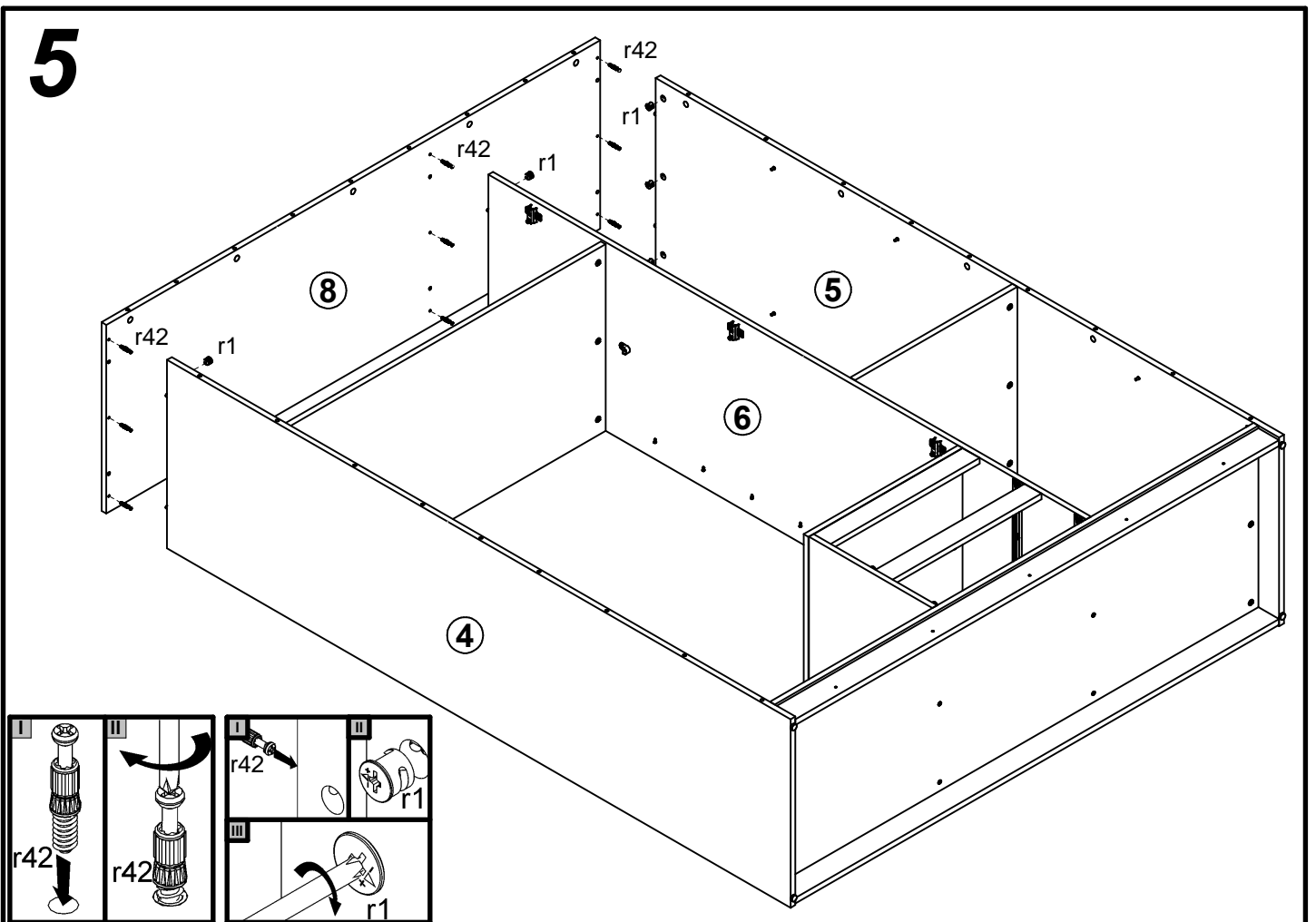
3



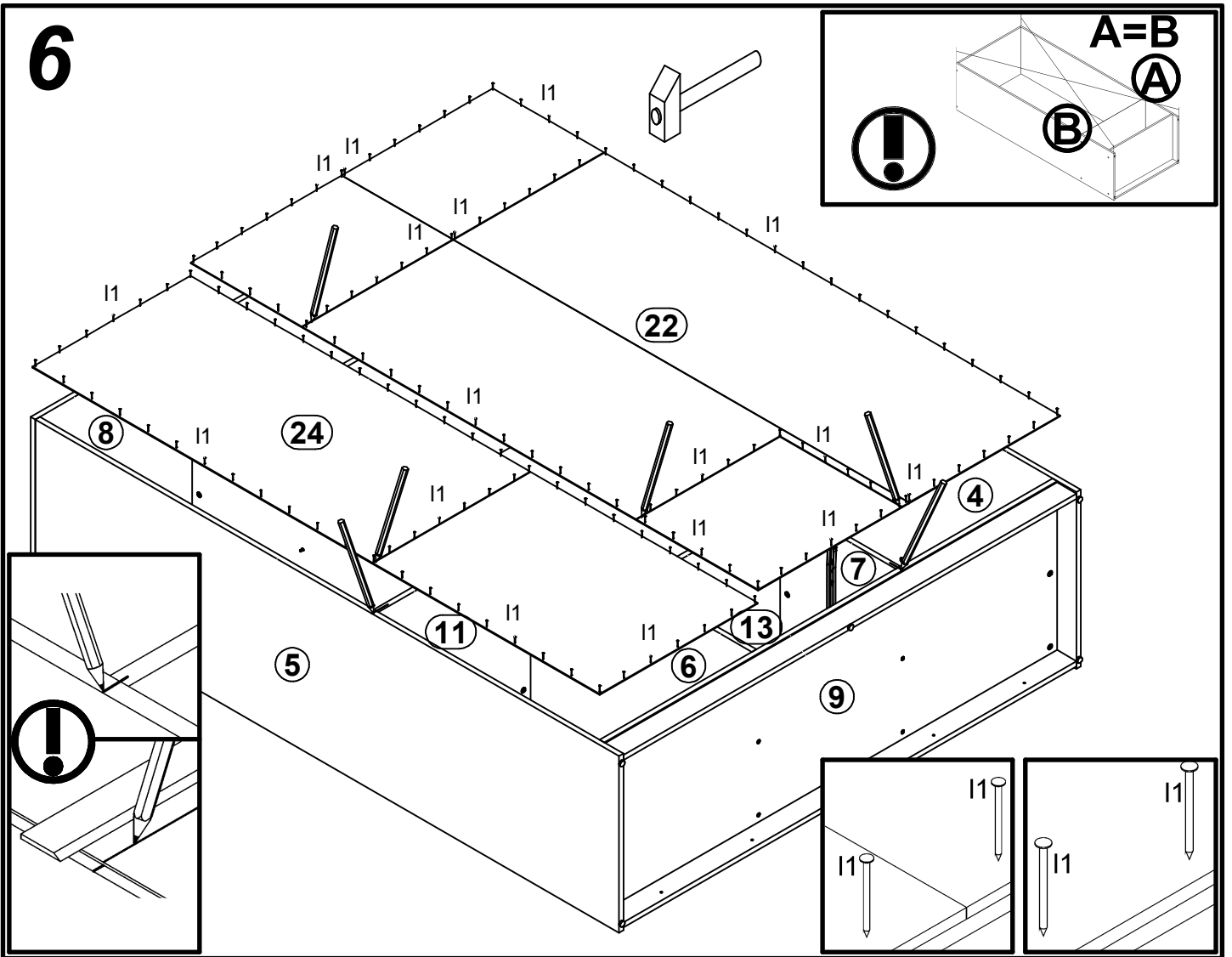
4



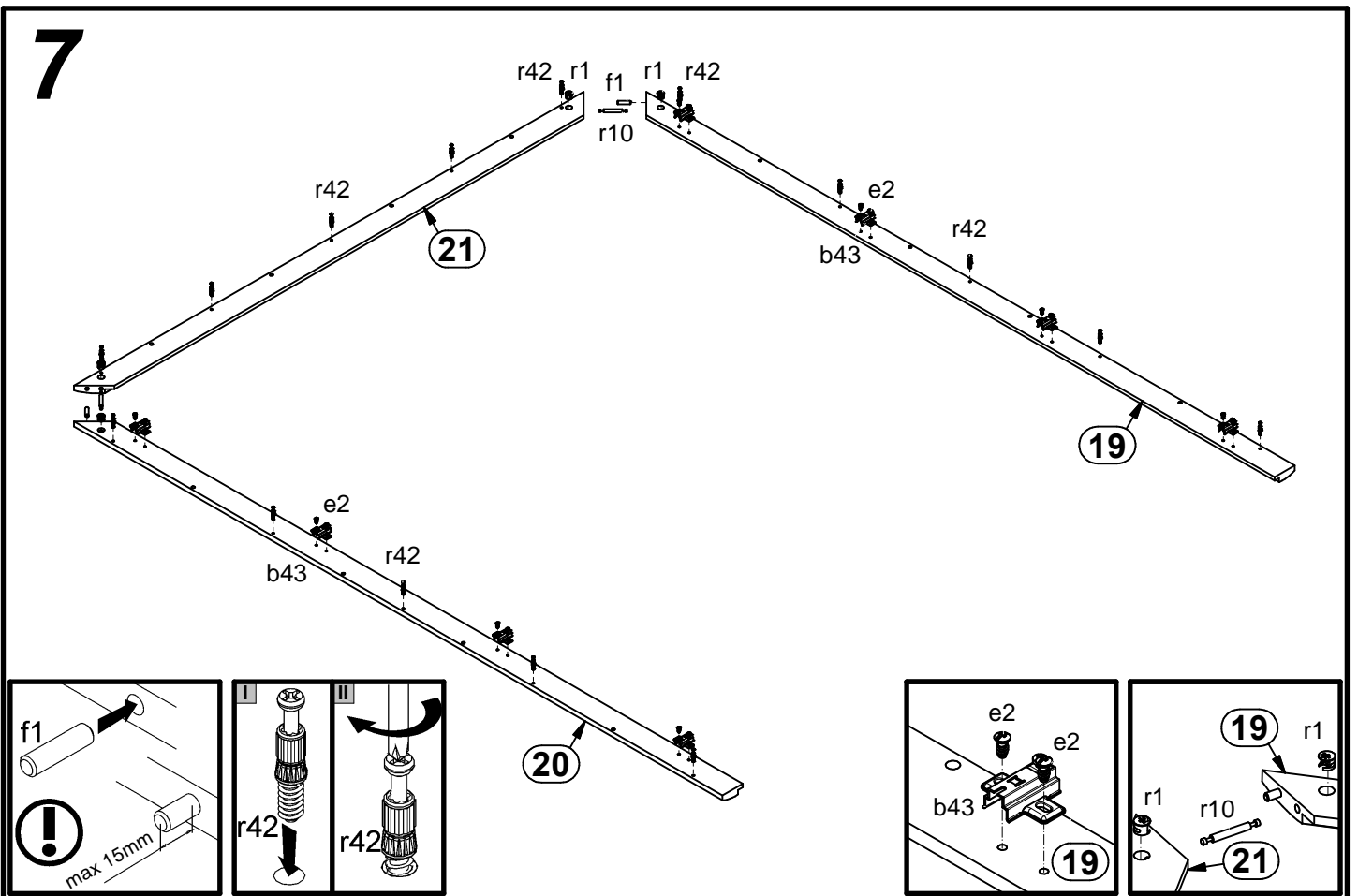
5



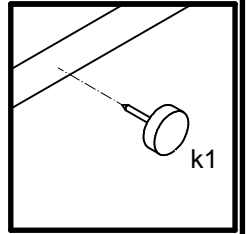
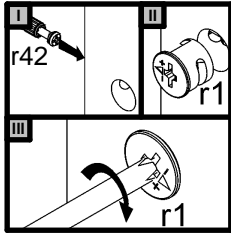
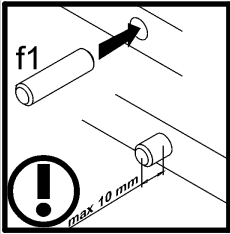
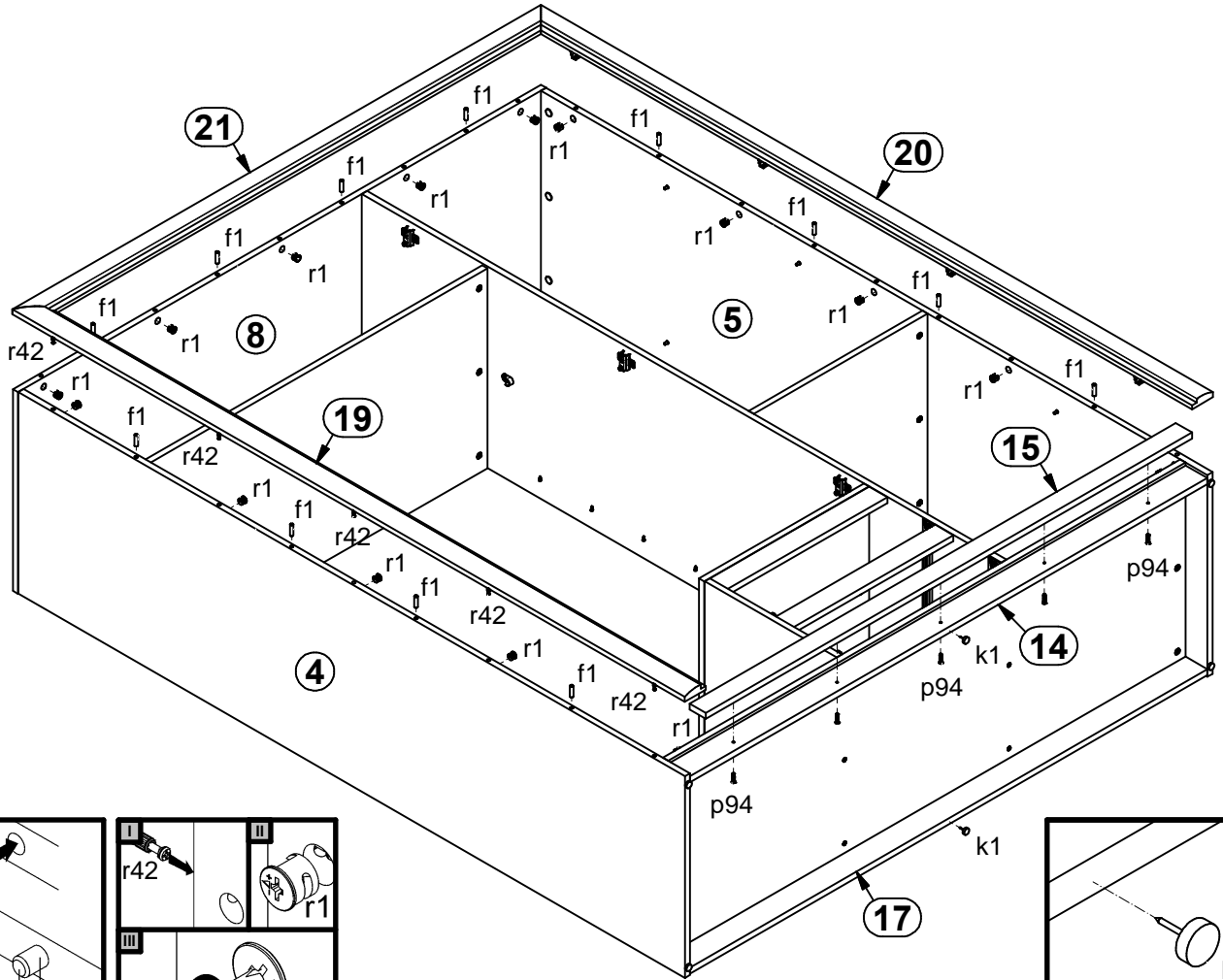
6



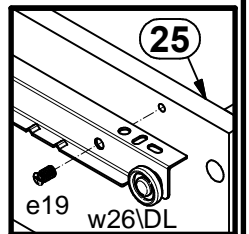
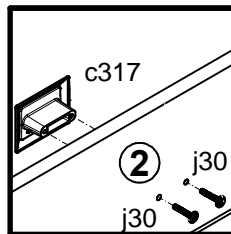
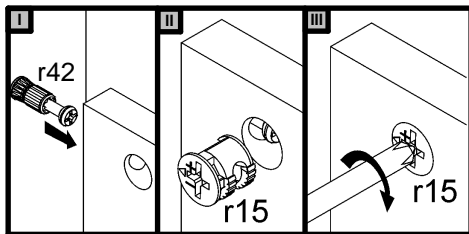
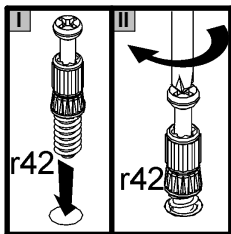
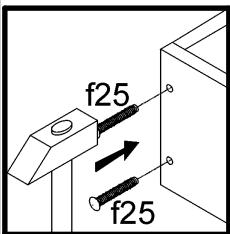
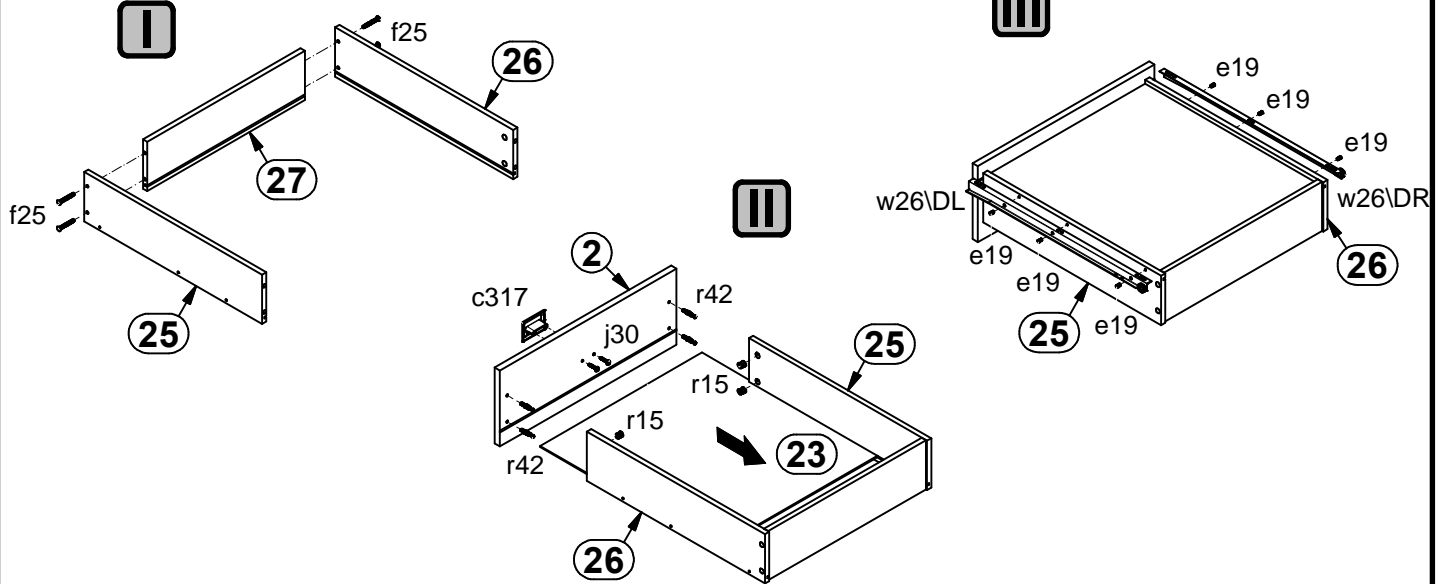
7



8



9



10

