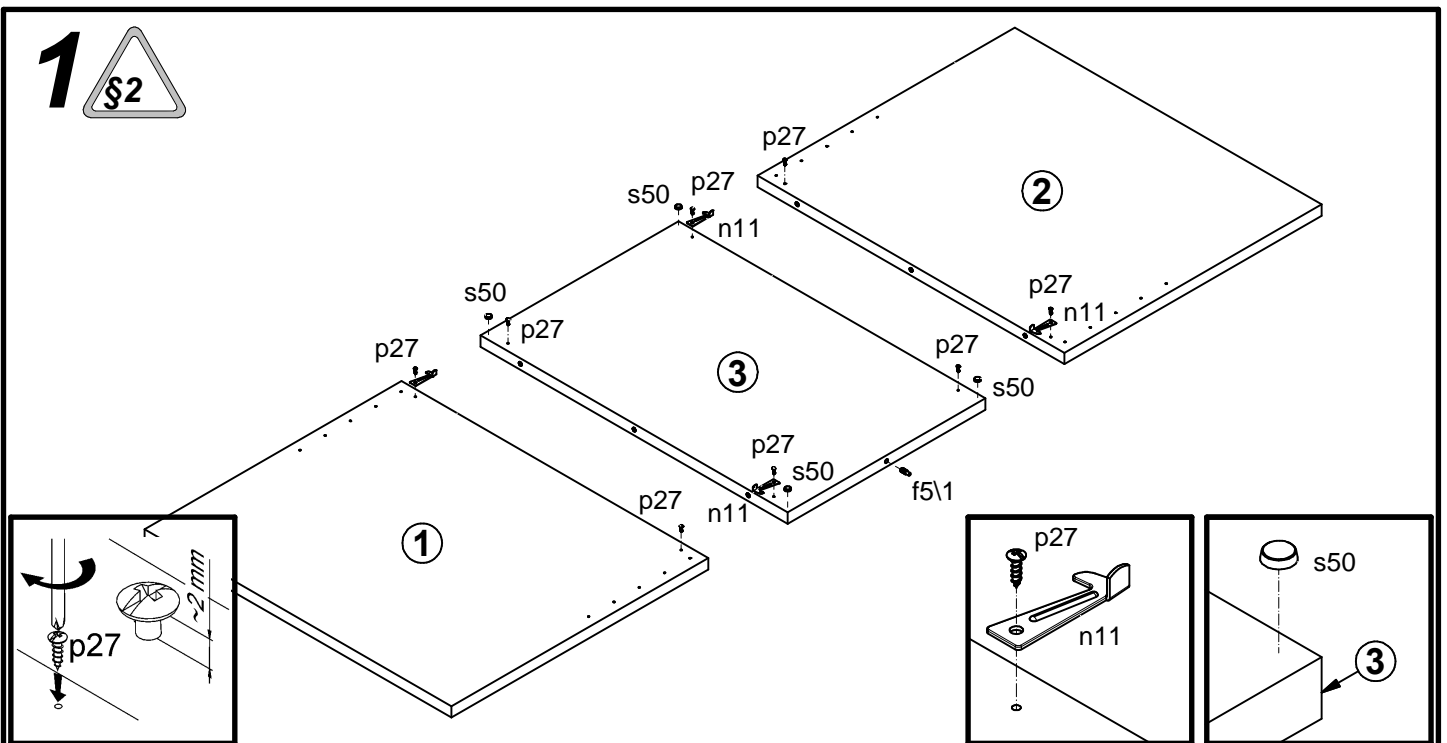
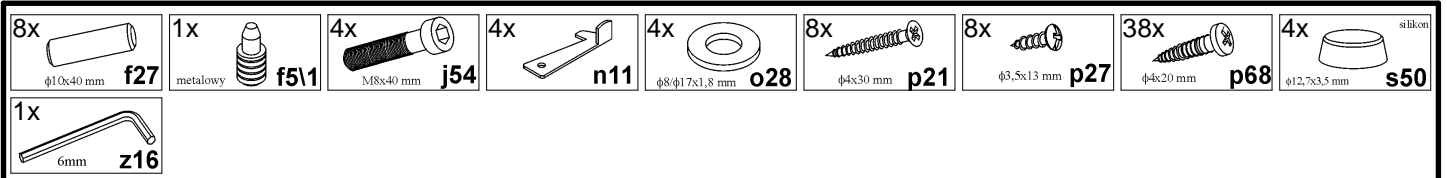
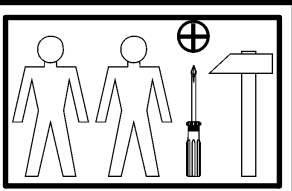
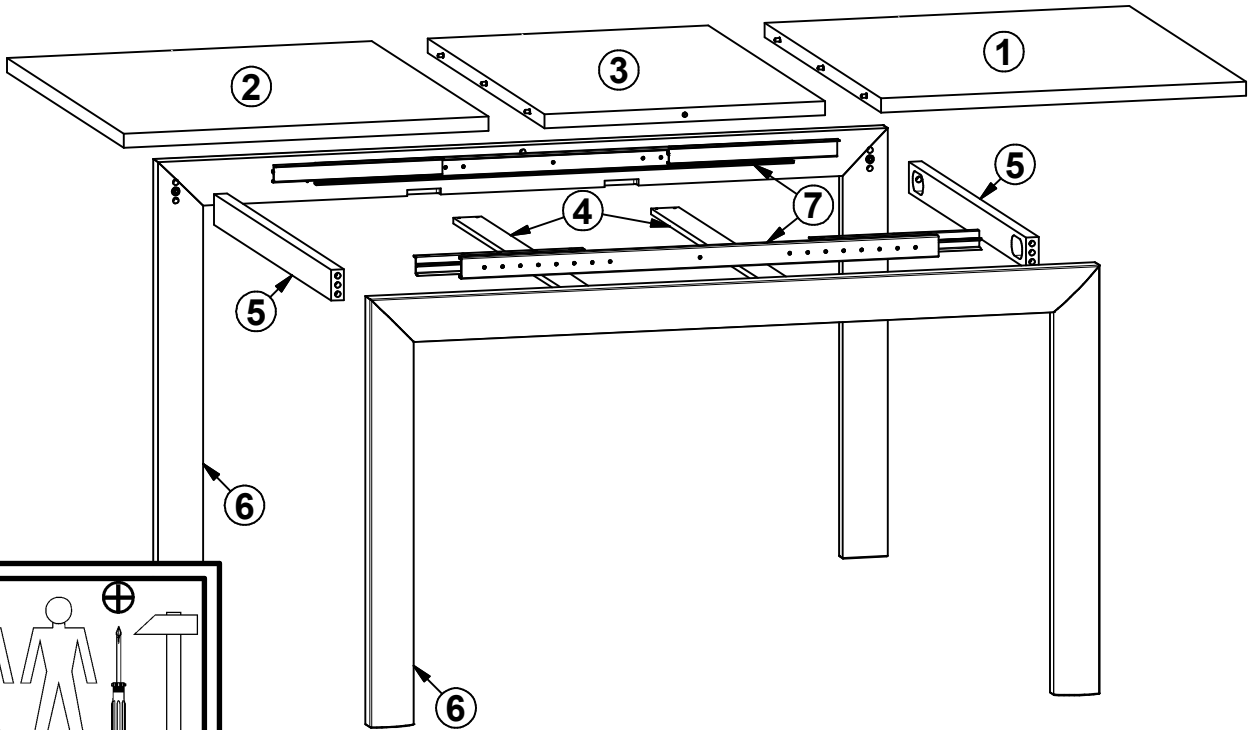
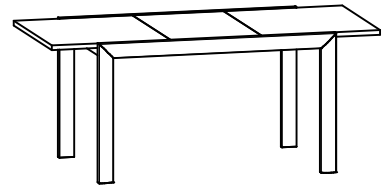
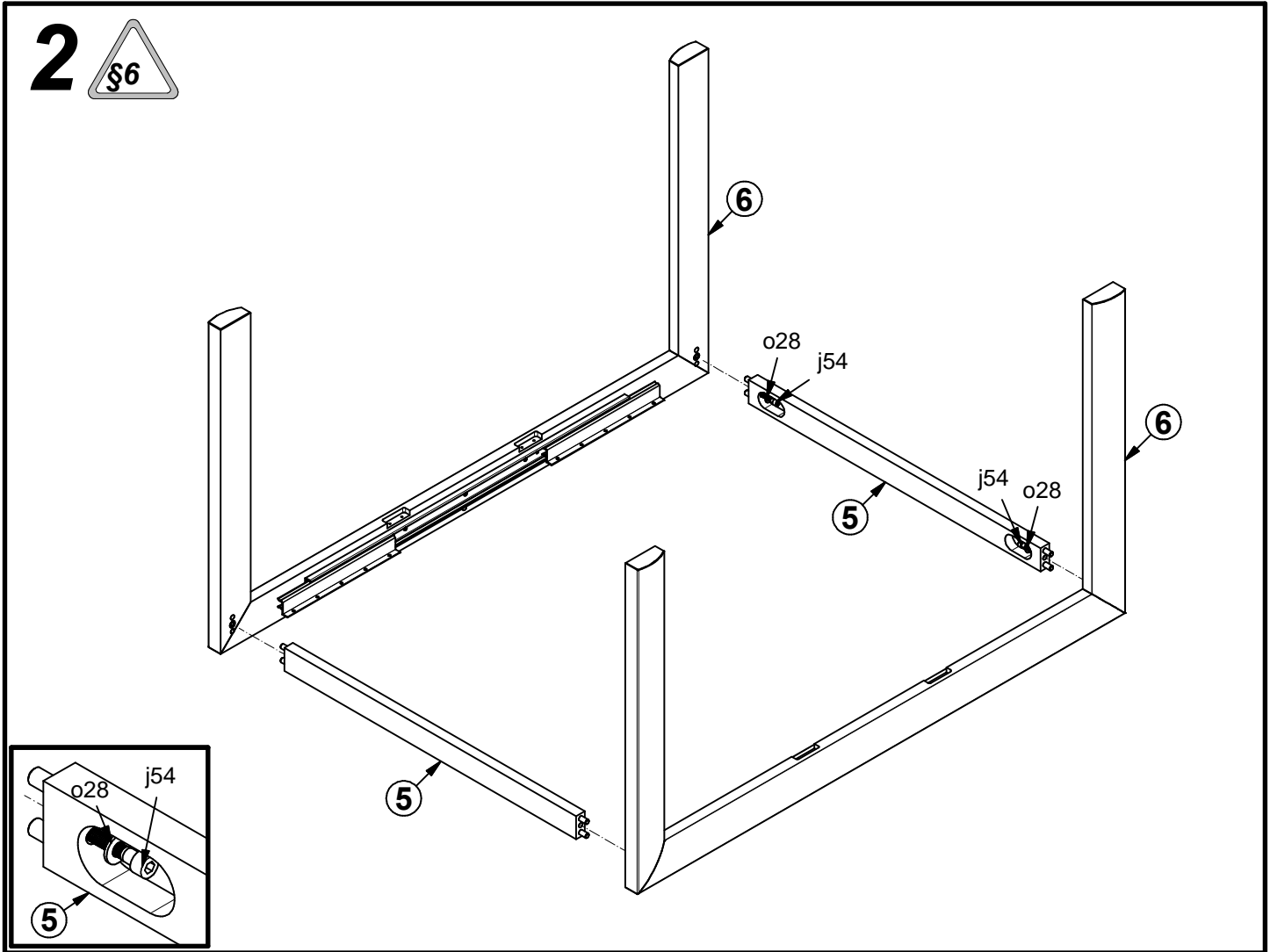
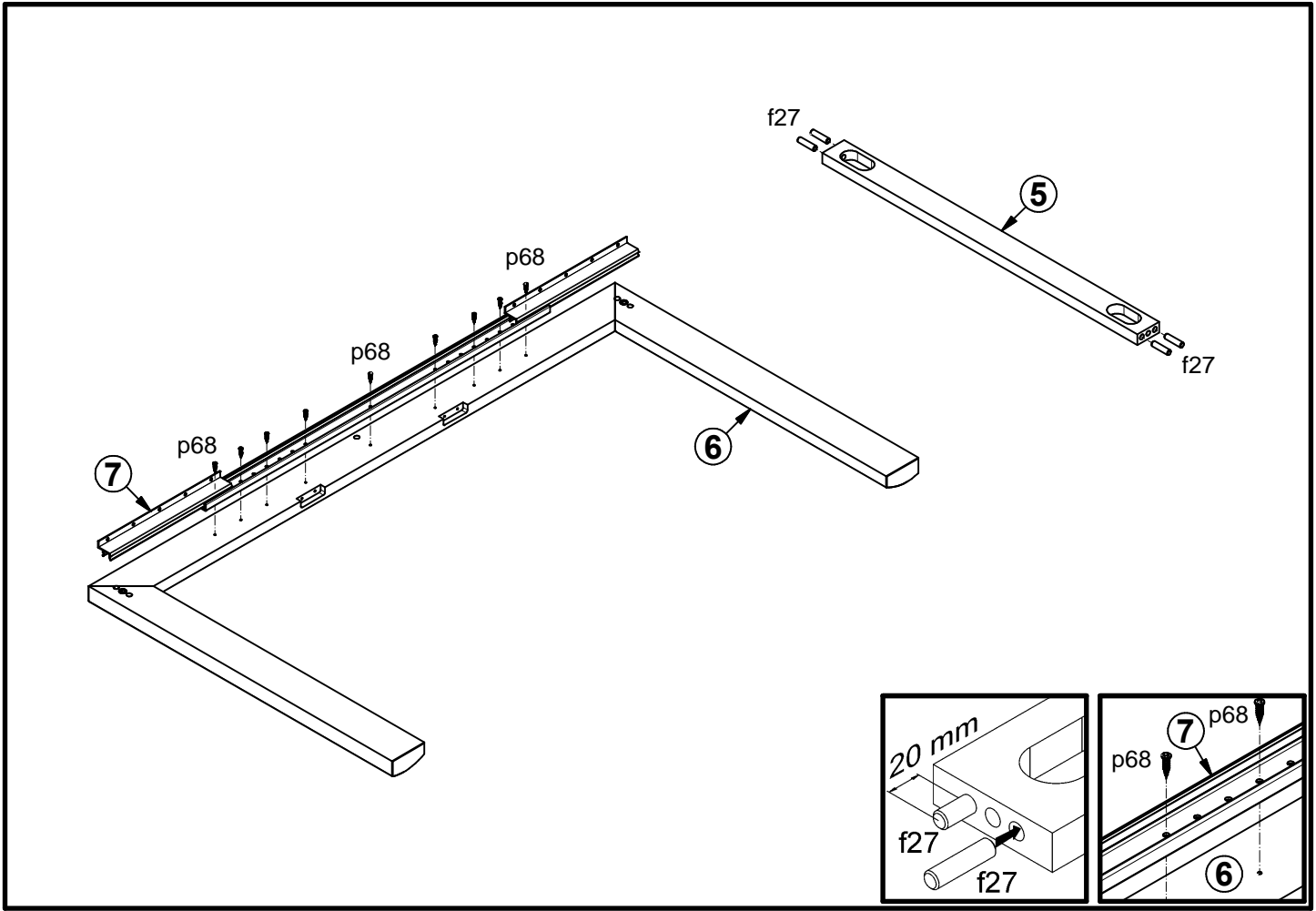


# KOEN

# S136-STO/130

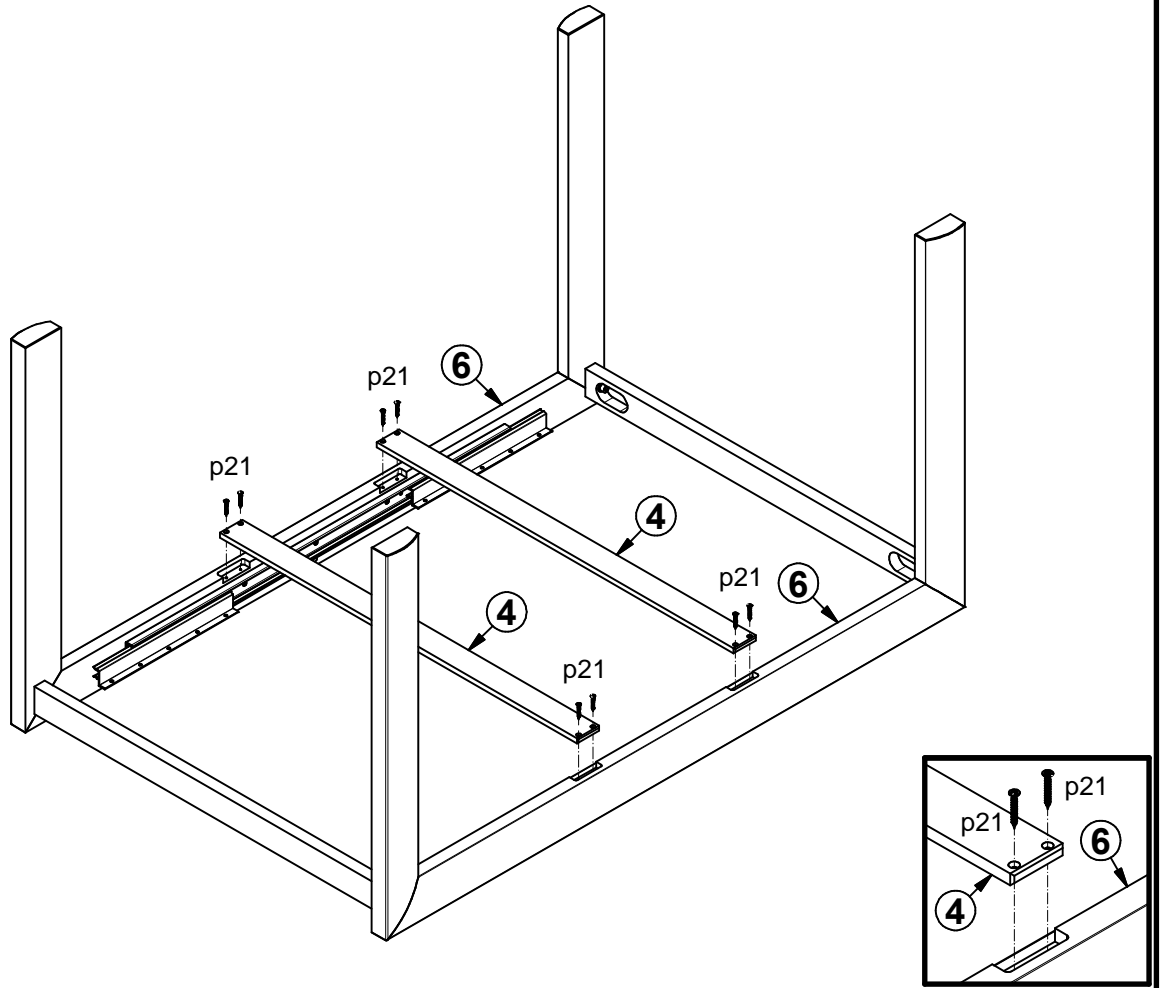
A	B	C	D	
1	S136-215	776	650	1/2
2	S136-216	776	650	1/2
3	S136-217	776	500	1/2
4	S136-424	806	50	2/2
5	S136-425	778	54	2/2
6	S136-426	1300	750	2/2
7	w8	850		2/2



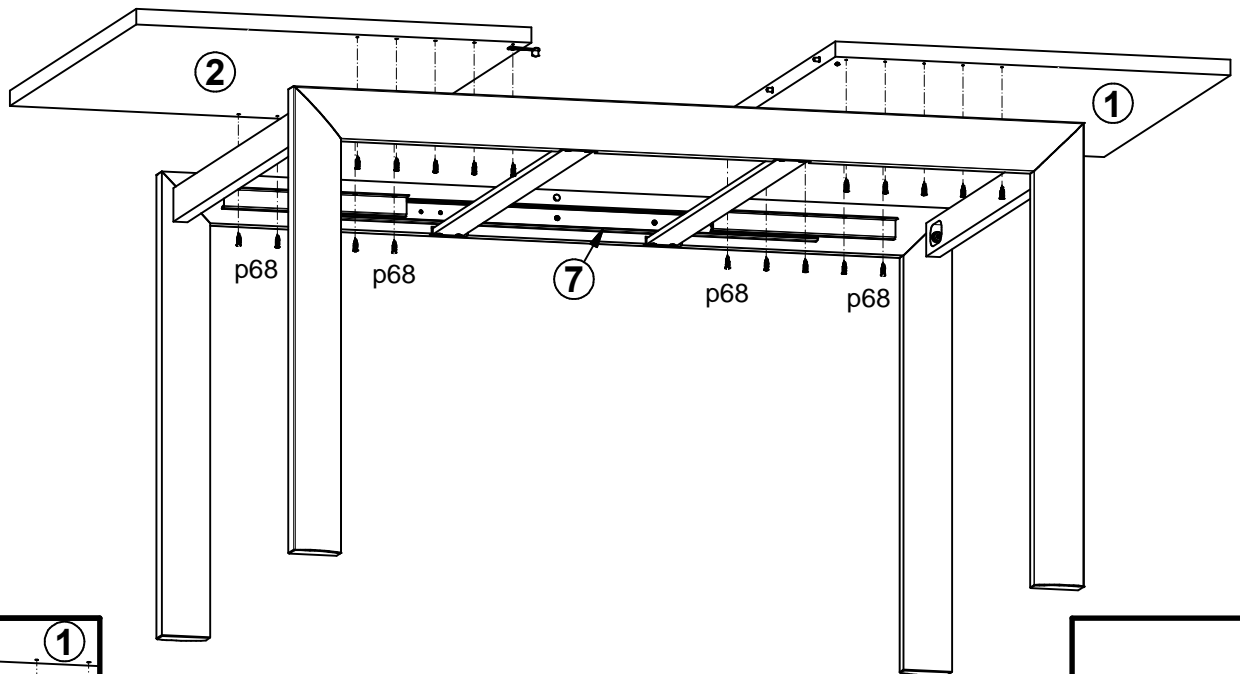


**2**

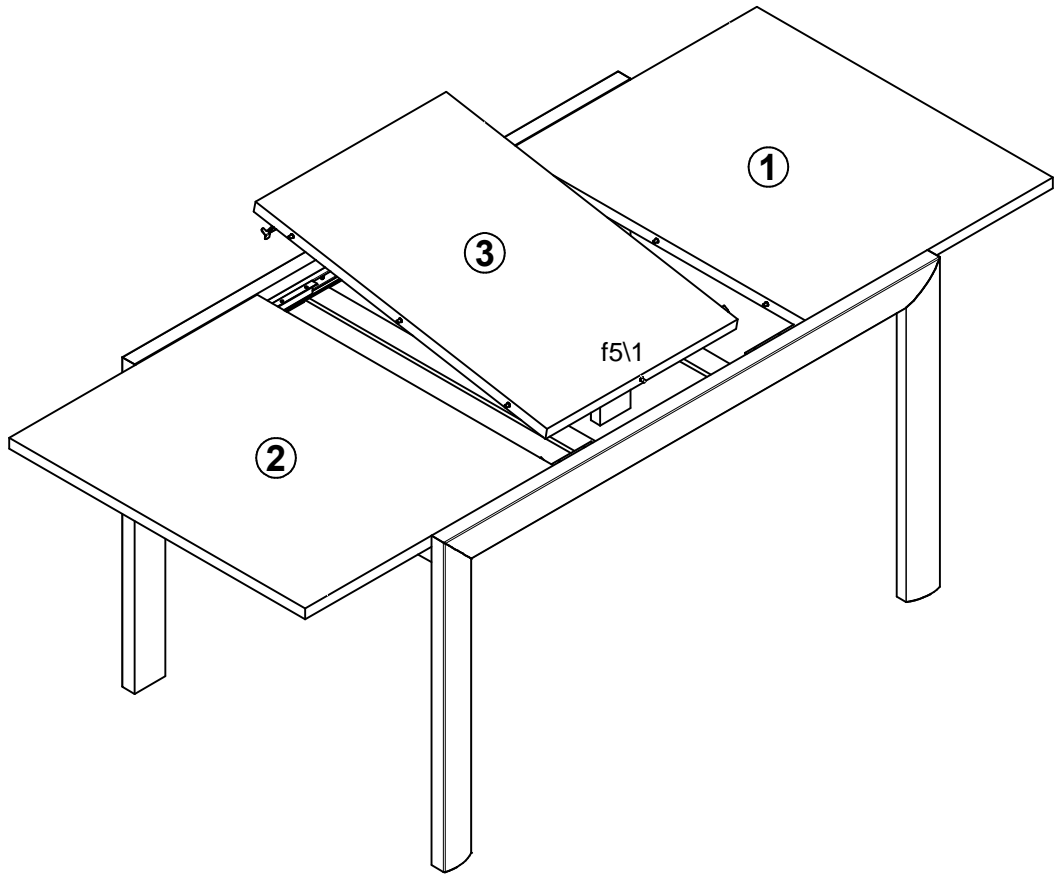
# 3



# 4



5



6

