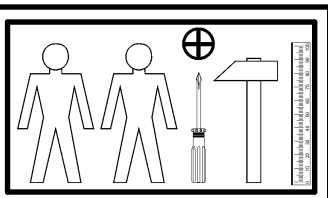
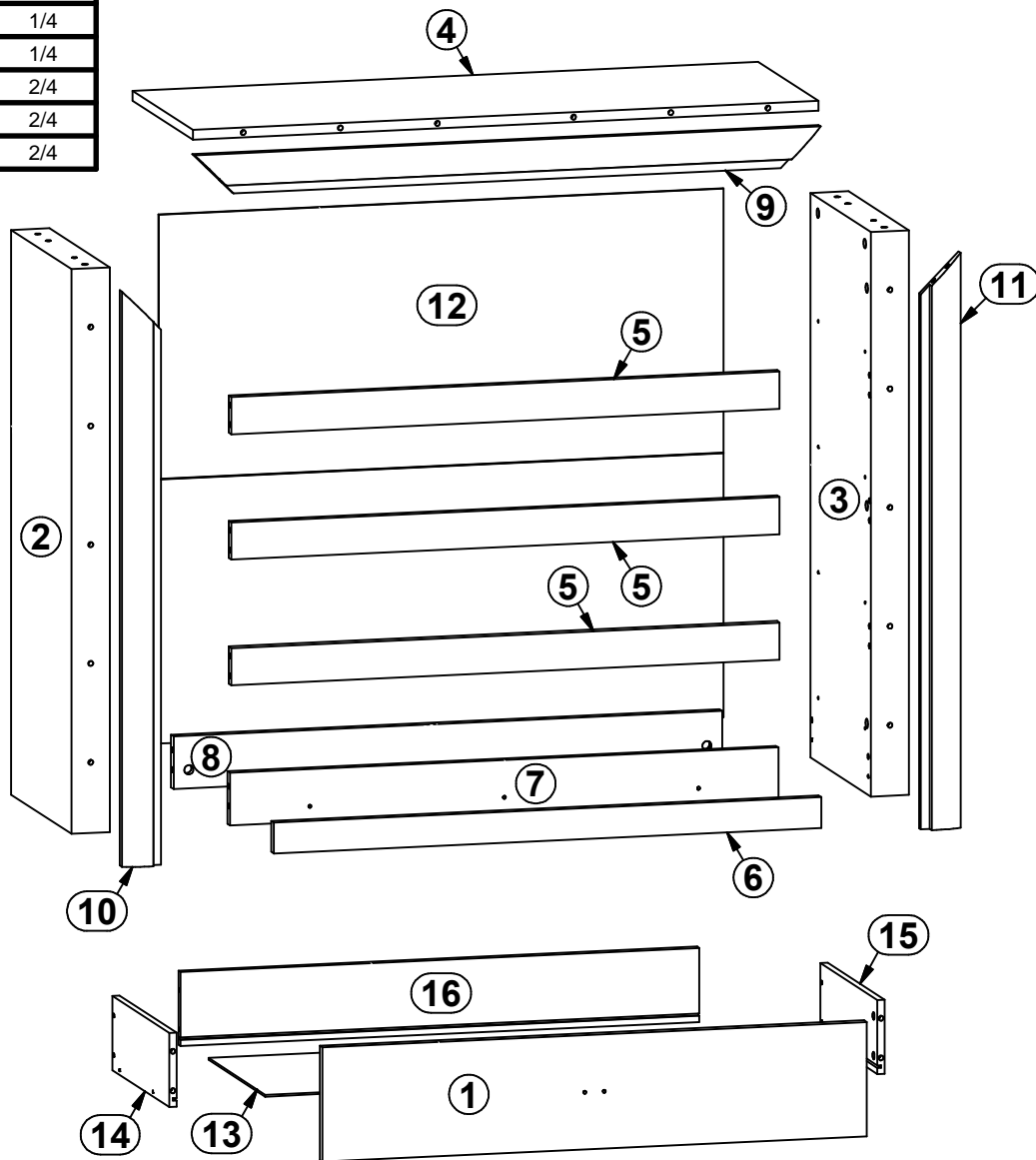
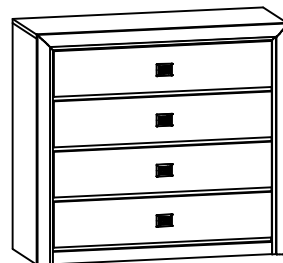
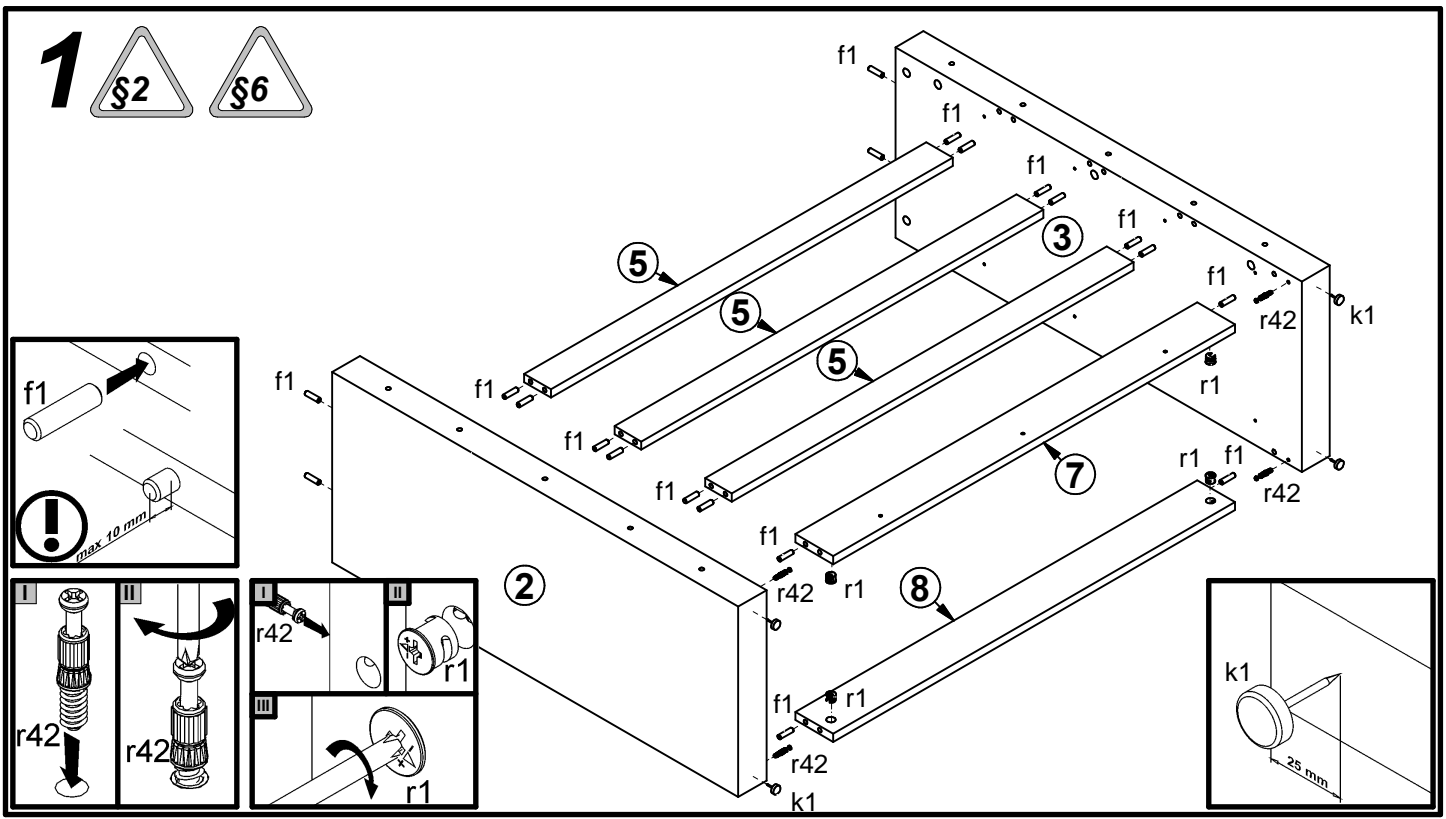


A	B	C	D	
1	S136-002	896	185	4/4
2	S136-123	913	371	1/4
3	S136-124	913	371	1/4
4	S136-206	1030	371	1/4
5	S136-402	903	60	1/4
6	S136-403	901	50	1/4
7	S136-417	903	85	1/4
8	S136-418	903	85	1/4
9	S136-573	1031	65	3/4
10	S136-582	930	65	3/4
11	S136-583	930	65	3/4
12	S136-910	930	855	1/4
13	S136-911	865	348	1/4
14	ZS2-511	350	120	2/4
15	ZS2-512	350	120	2/4
16	ZS2-5556	854	120	2/4

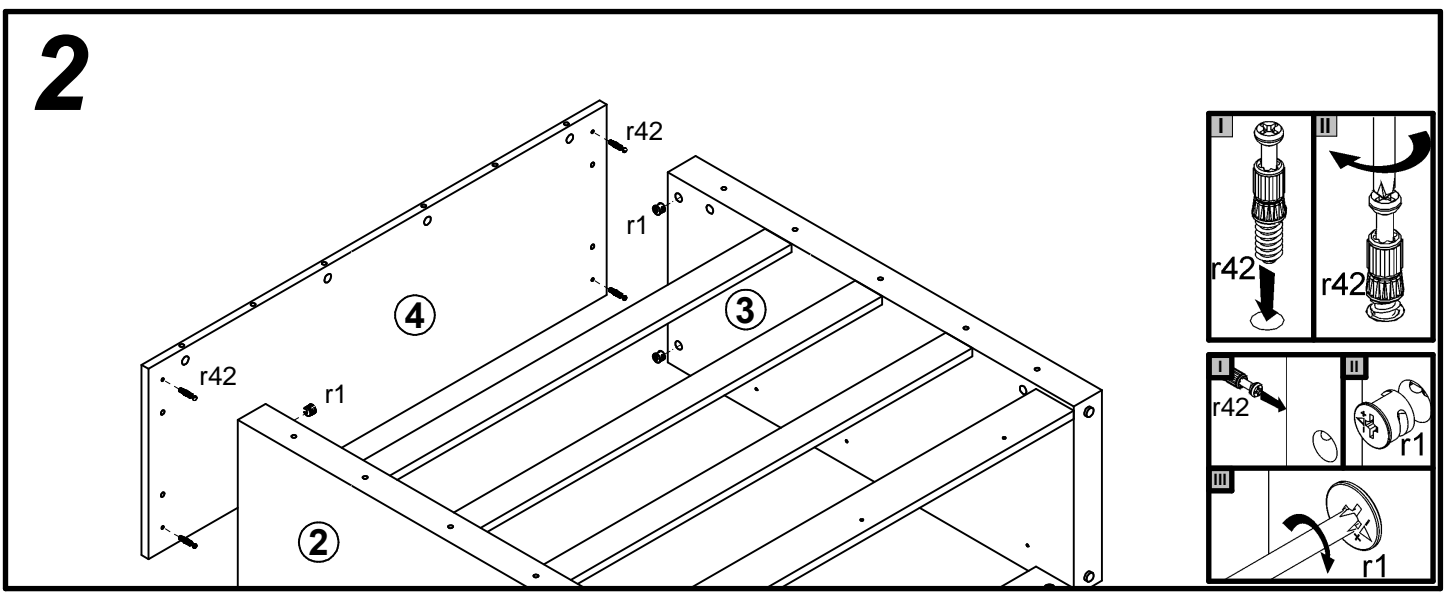


4x c317	16x φ5x9 mm e19	16x φ6x13 mm e3	28x φ8x30 mm f1	16x φ6.5x40 mm f25	8x M4x22 mm j30	4x k1	30x l1	8x φ3.5x16 mm p25
7x φ3.5x16 mm p38	3x φ4x28 mm p94	22x φ15x12mm #16 r1	2x r10	16x φ12x10.5mm #12 r15	34x r42	4x 333 mm t19	4x 350 mm w45\CL	4x 350 mm w45\CR
4x 350 mm w45\DL	4x 350 mm w45\DR	1x n26\1	1x φ3.5x16 mm p38					

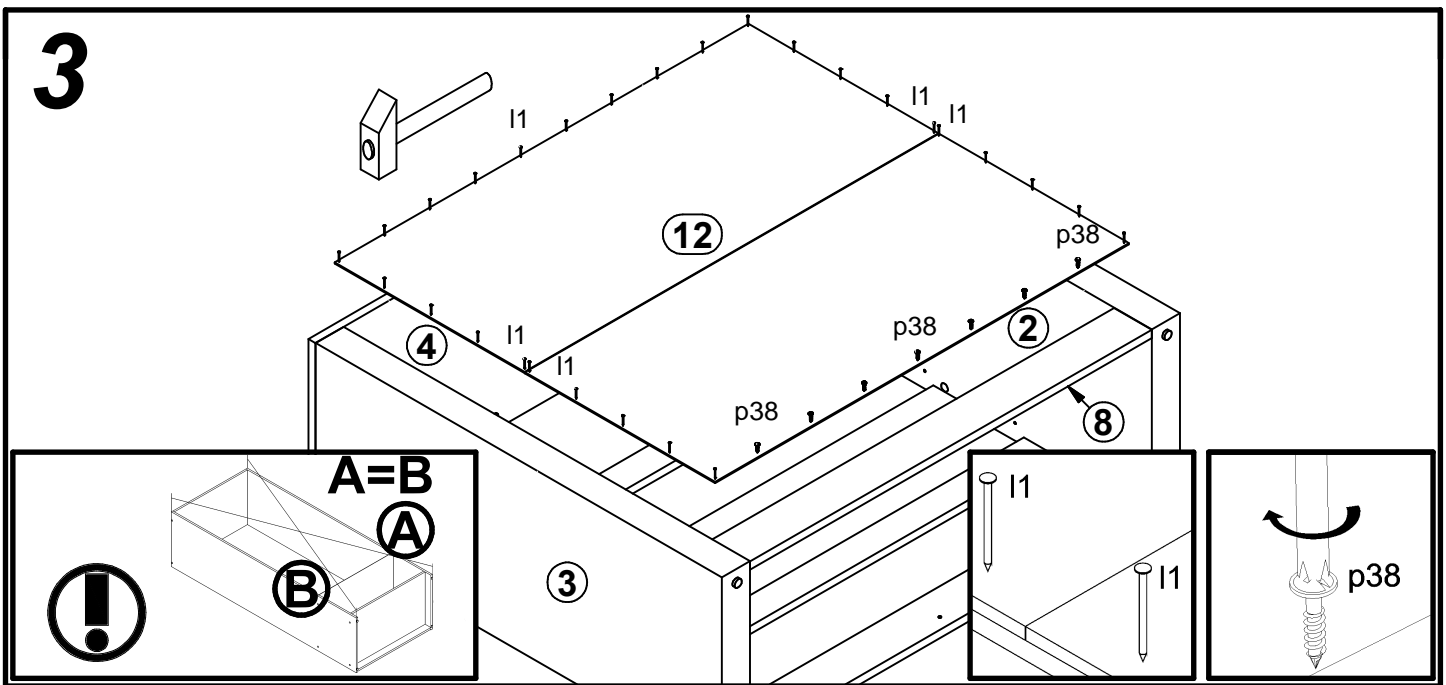
1 §2 §6



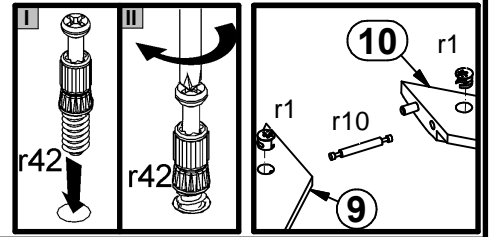
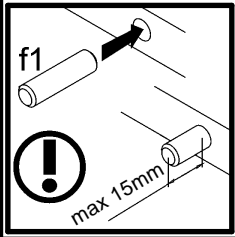
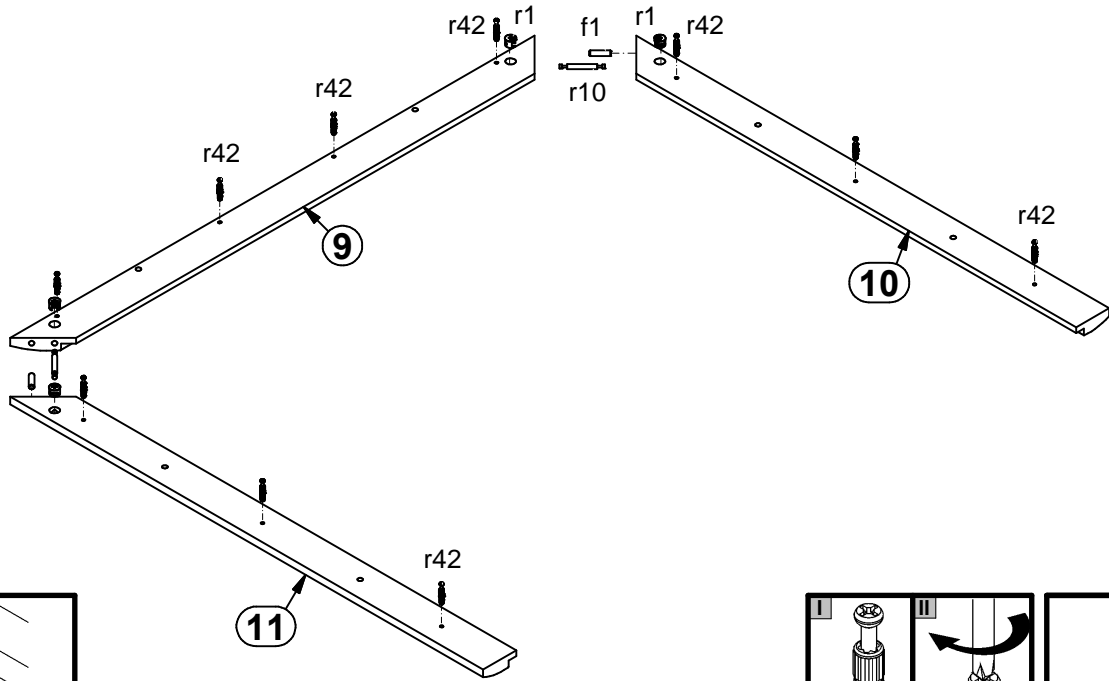
2



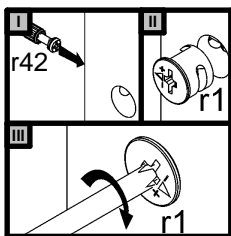
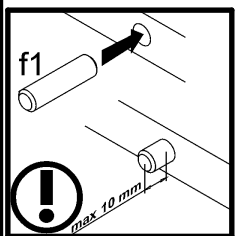
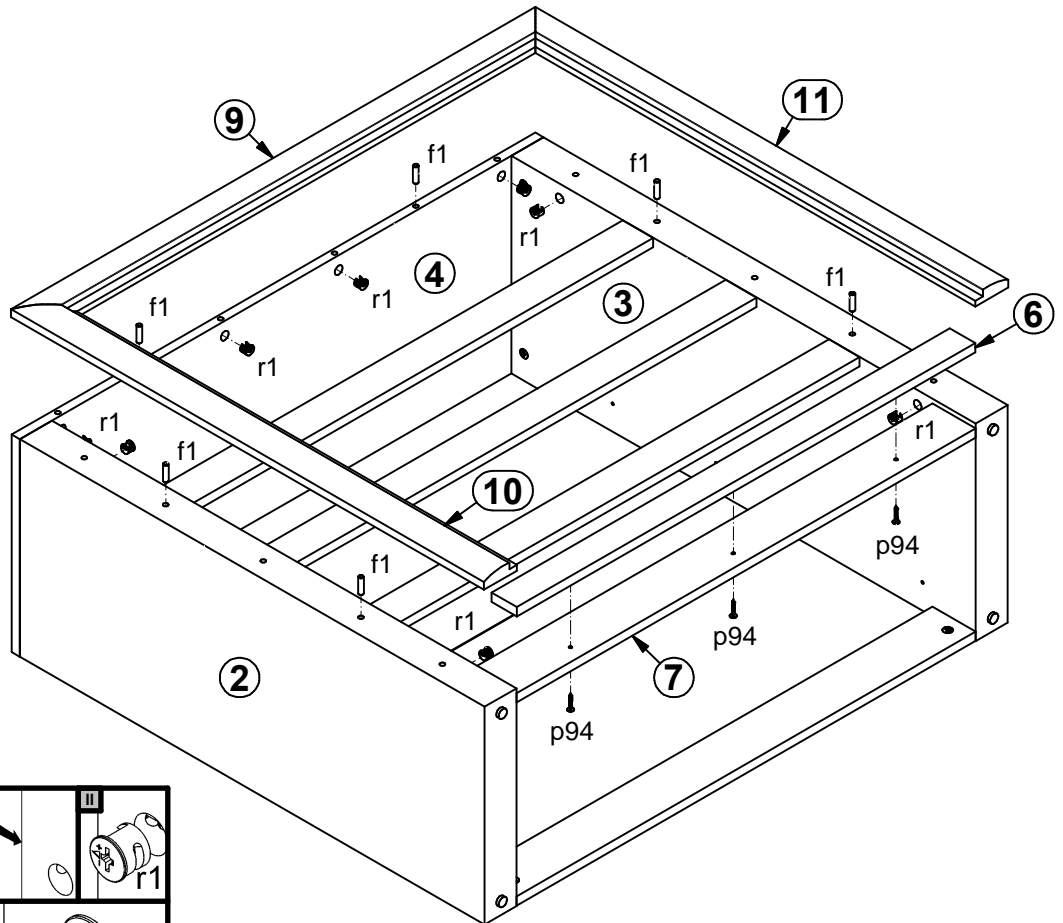
3



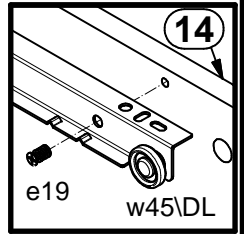
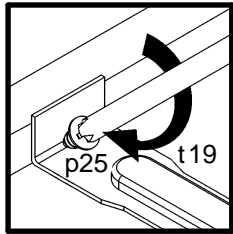
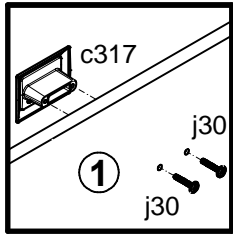
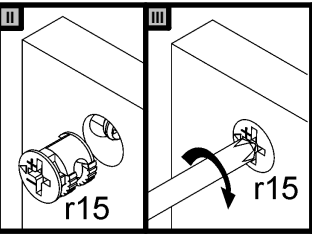
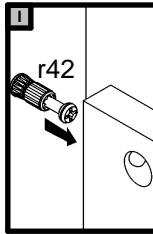
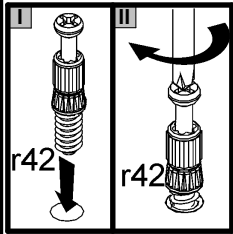
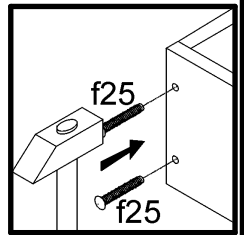
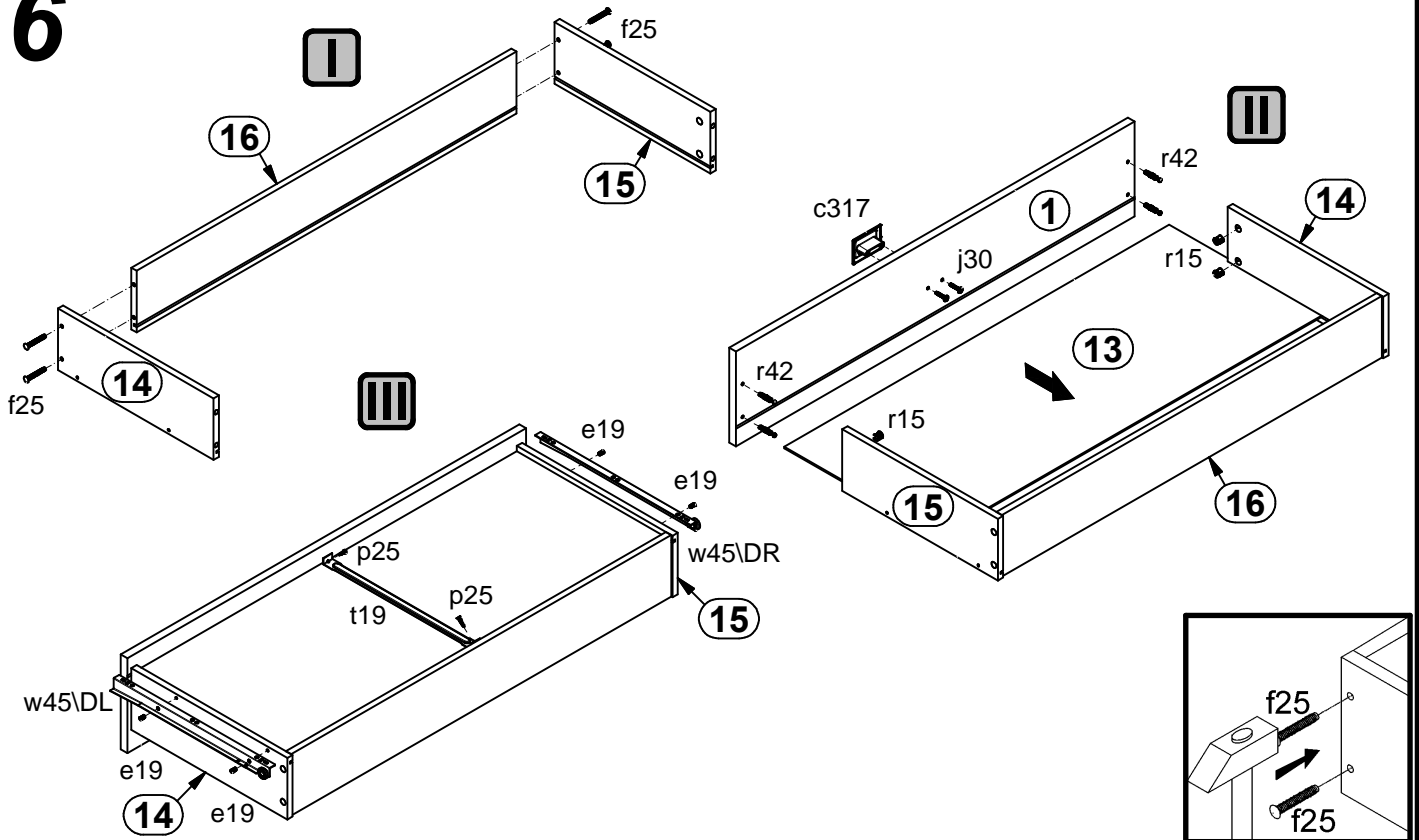
4



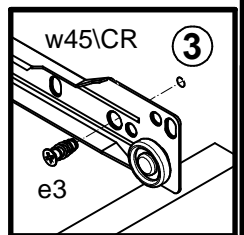
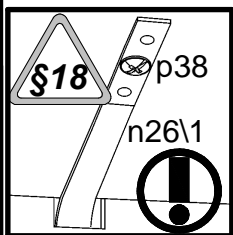
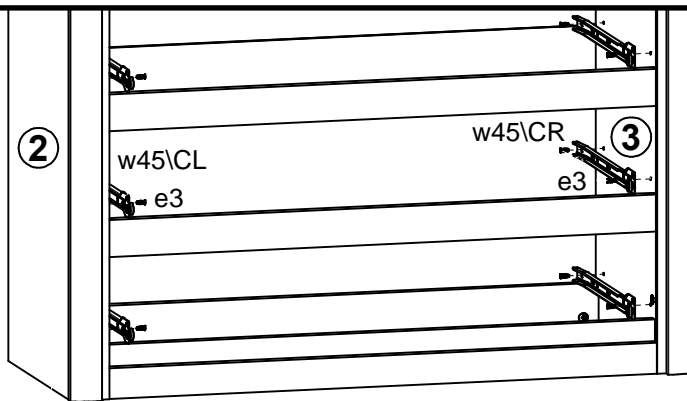
5



6



7



8

