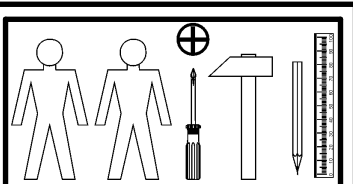
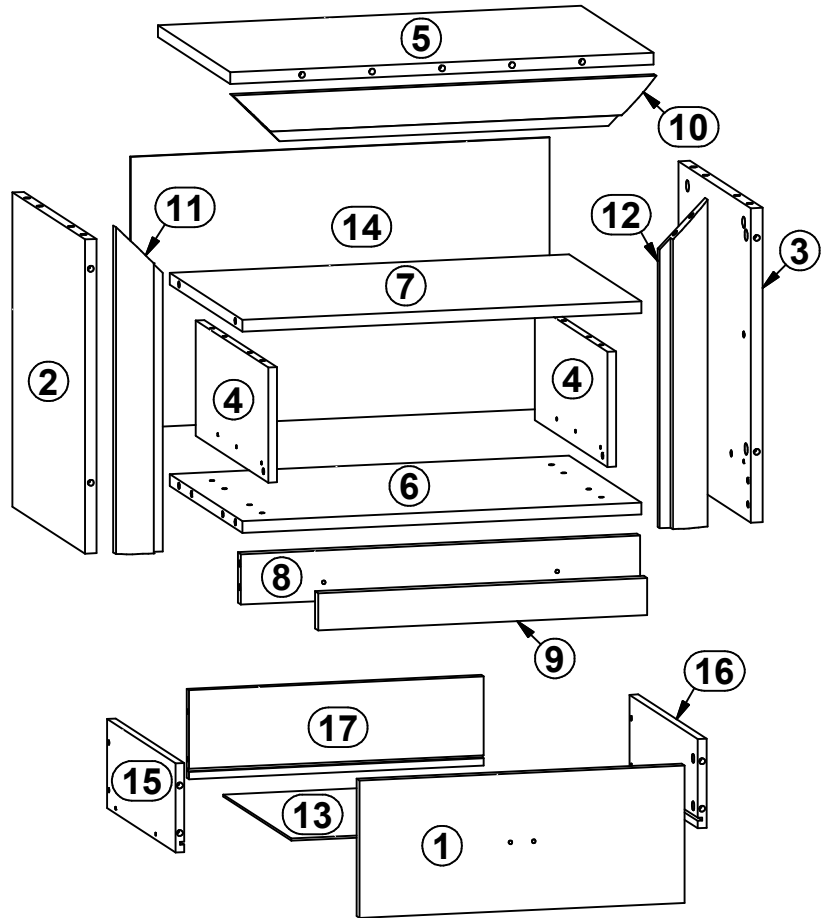
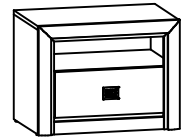
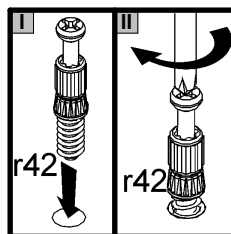
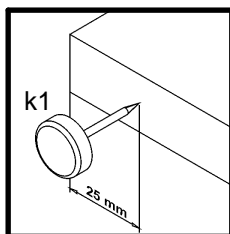
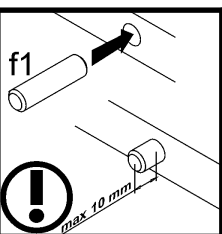
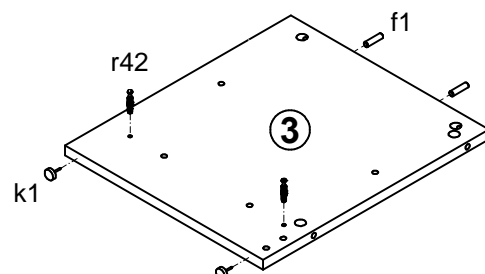
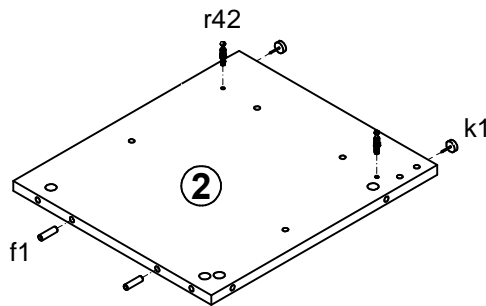


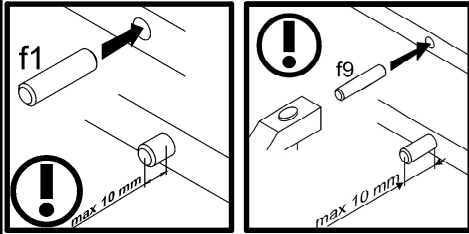
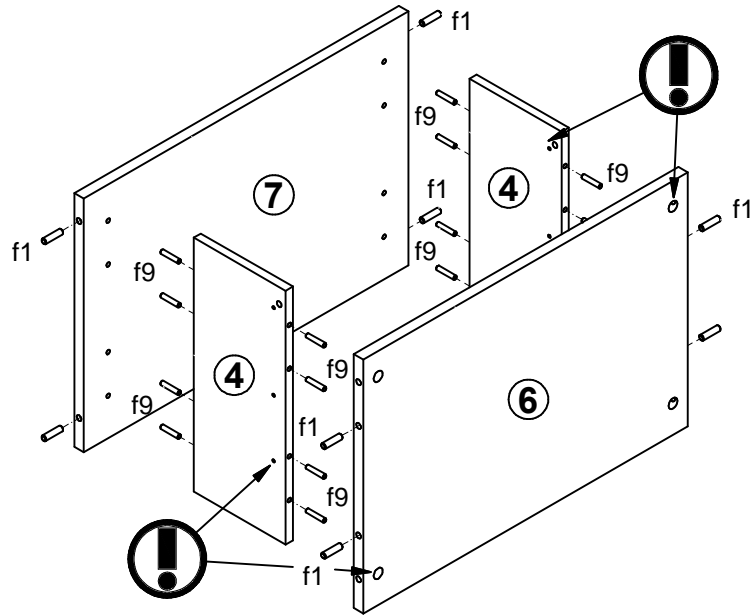
A	B	C	D	
1	S136-003	446	185	3/3
2	S136-135	423	371	1/3
3	S136-136	423	371	1/3
4	S136-137	155	371	1/3
5	S136-209	580	371	1/3
6	S136-302	547	371	1/3
7	S136-317	547	371	1/3
8	S136-404	547	68	1/3
9	S136-406	451	50	1/3
10	S136-576	581	65	2/3
11	S136-587	440	65	2/3
12	S136-588	440	65	2/3
13	S136-904	415	348	1/3
14	S136-917	574	365	1/3
15	ZS2-511	350	120	1/3
16	ZS2-512	350	120	1/3
17	ZS2-5557	404	120	1/3



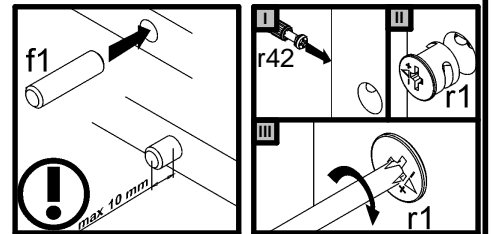
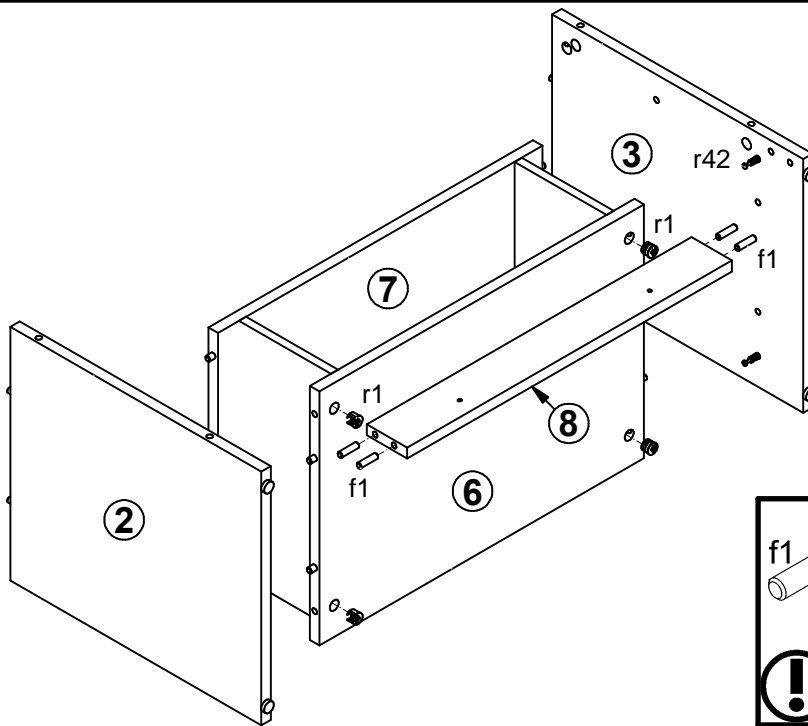
1x c317	4x φ5x9 mm e19	6x φ6x13 mm e3	20x φ8x30 mm f1	4x φ6.5x40 mm f25	16x φ6x30 mm f9	2x M4x22 mm j30	4x k1	30x l1
2x φ4x28 mm p94	19x φ15x12mm #16 r1	2x r10	4x φ12x10.5mm #12 r15	19x r42	4x ø16 s2	1x 350 mm w45 CL	1x 350 mm w45 CR	1x 350 mm w45 DL
1x 350 mm w45 DR								



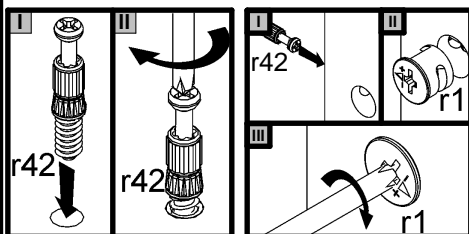
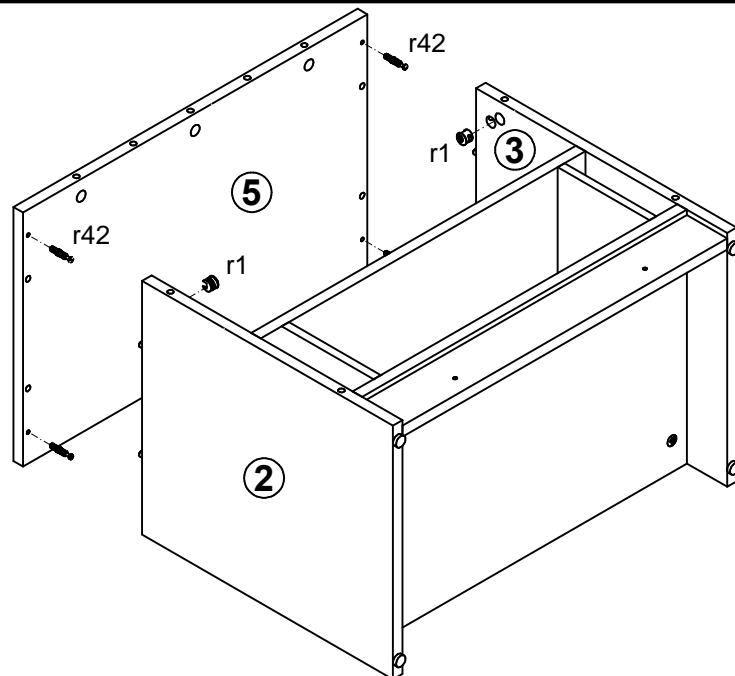
2 



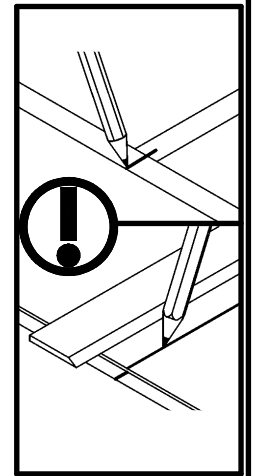
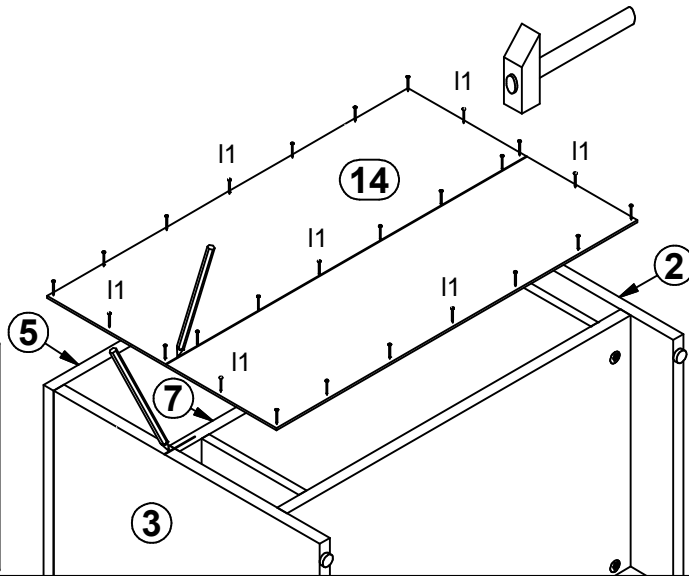
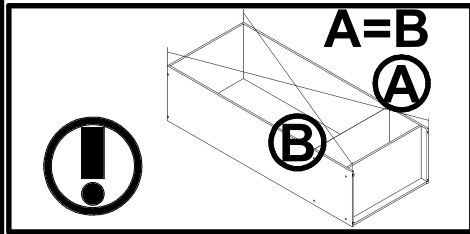
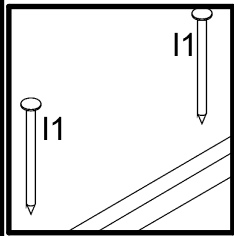
3



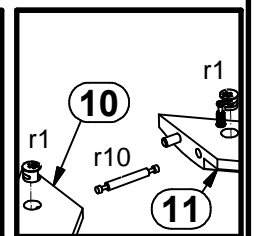
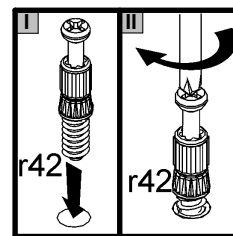
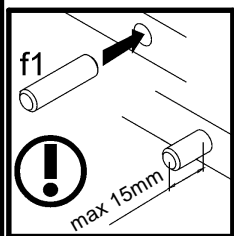
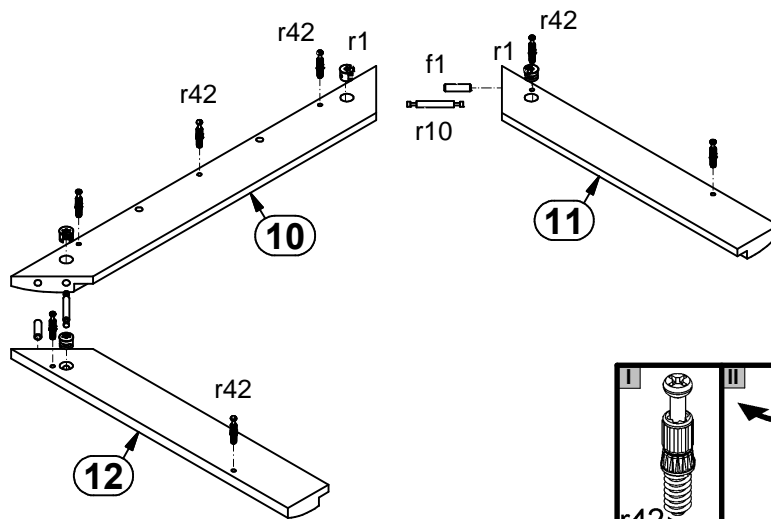
4



5



6



7

