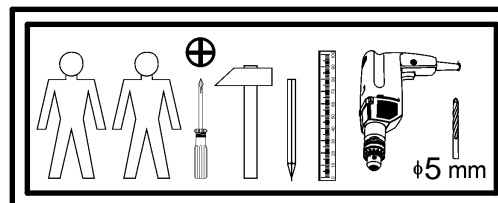
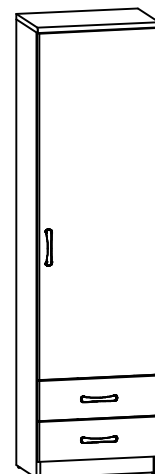
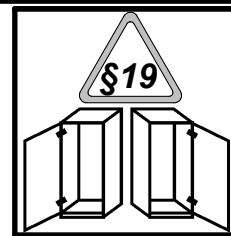
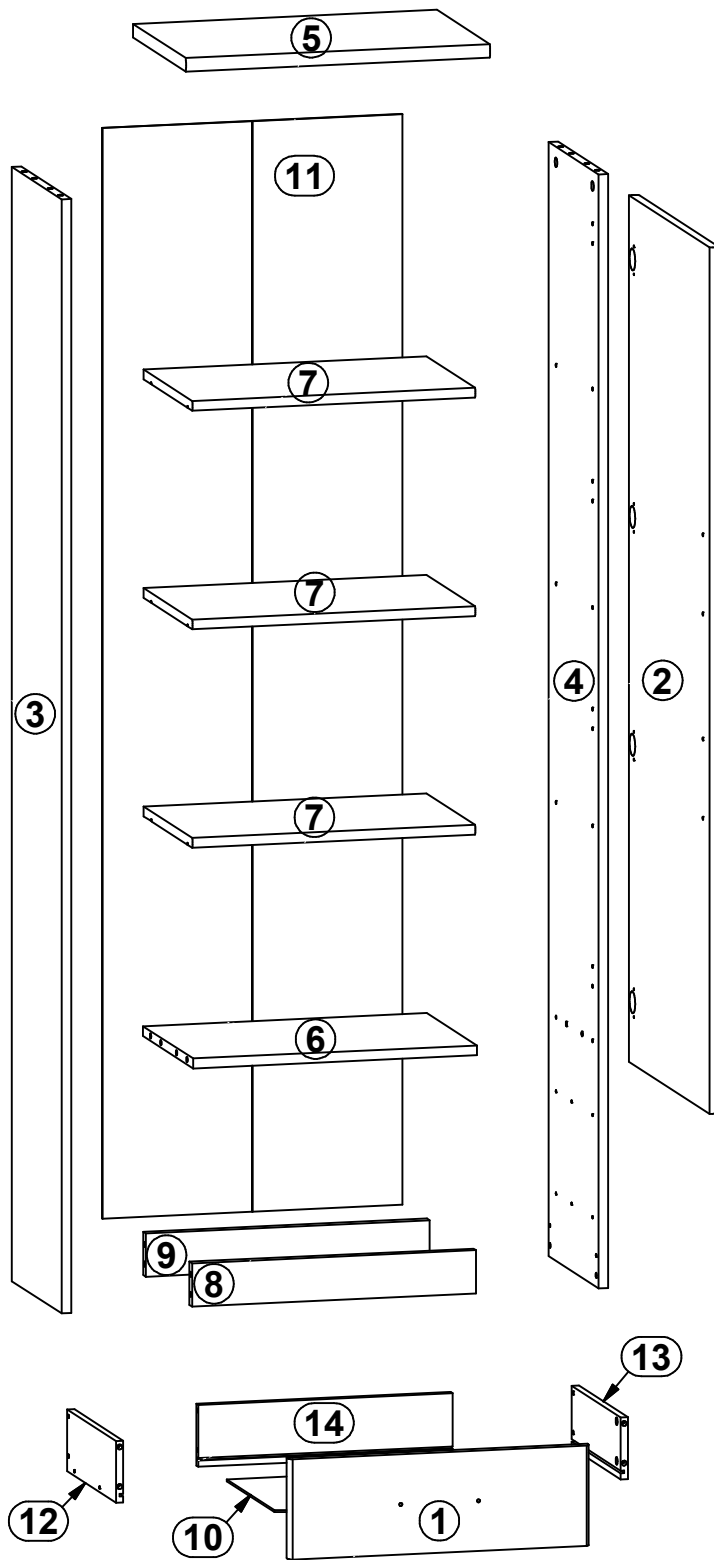


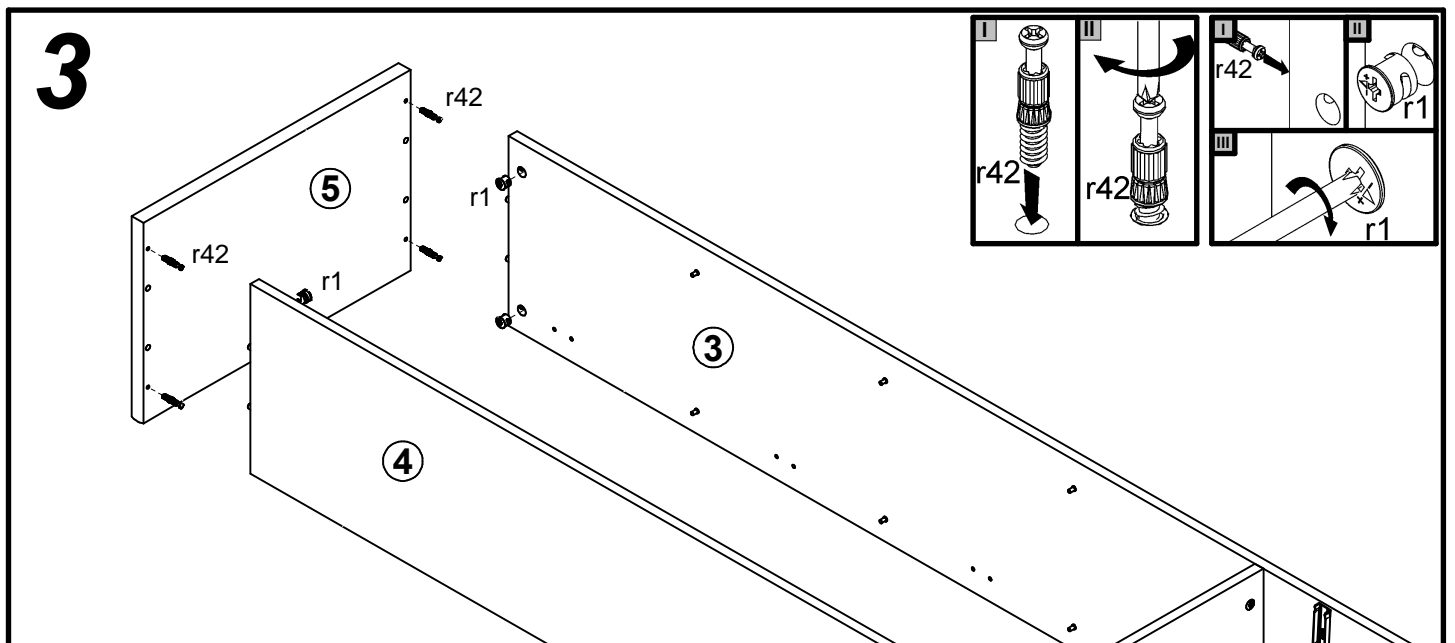
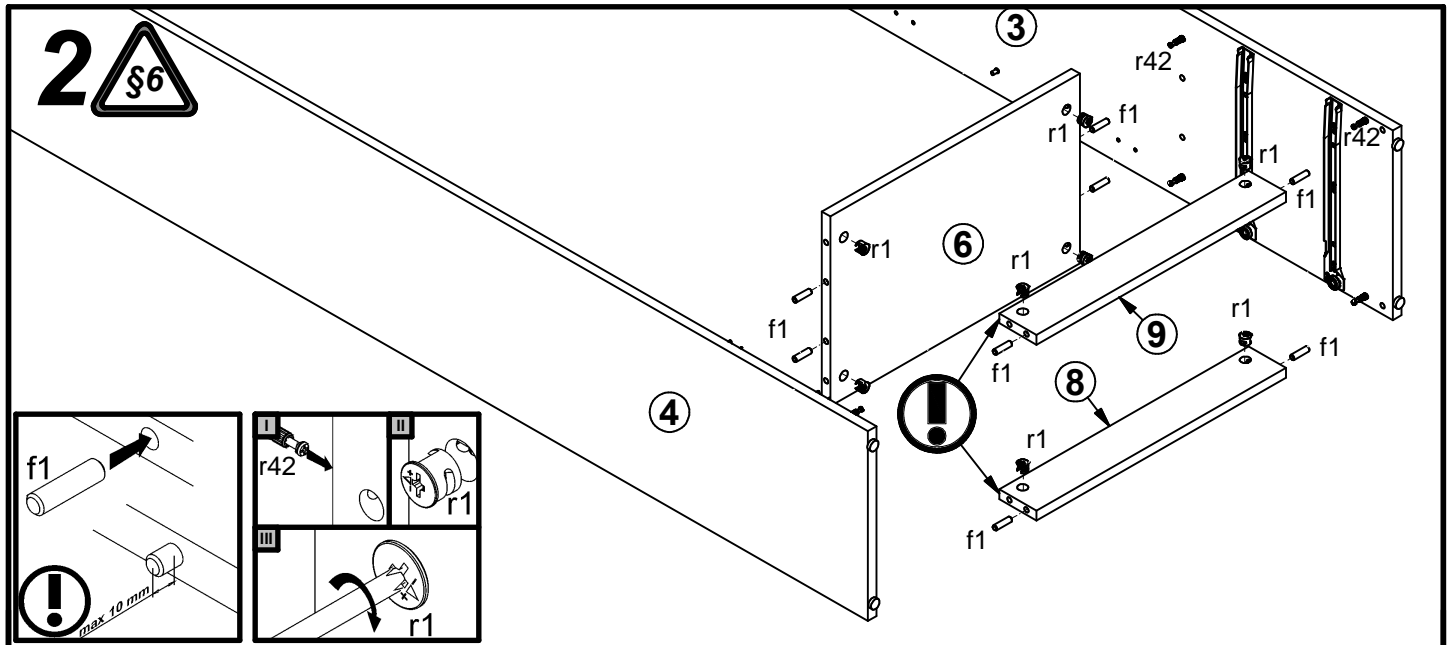
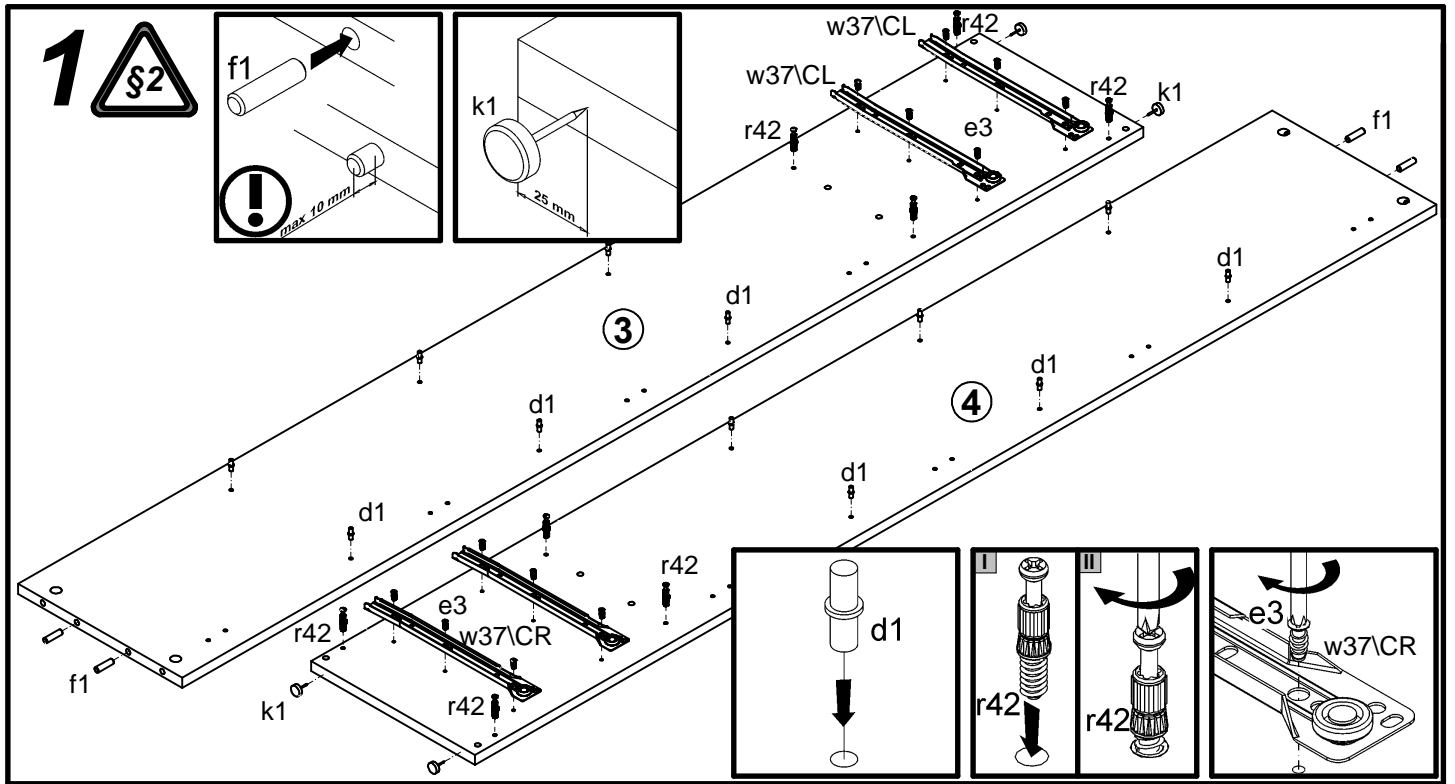
KLIO

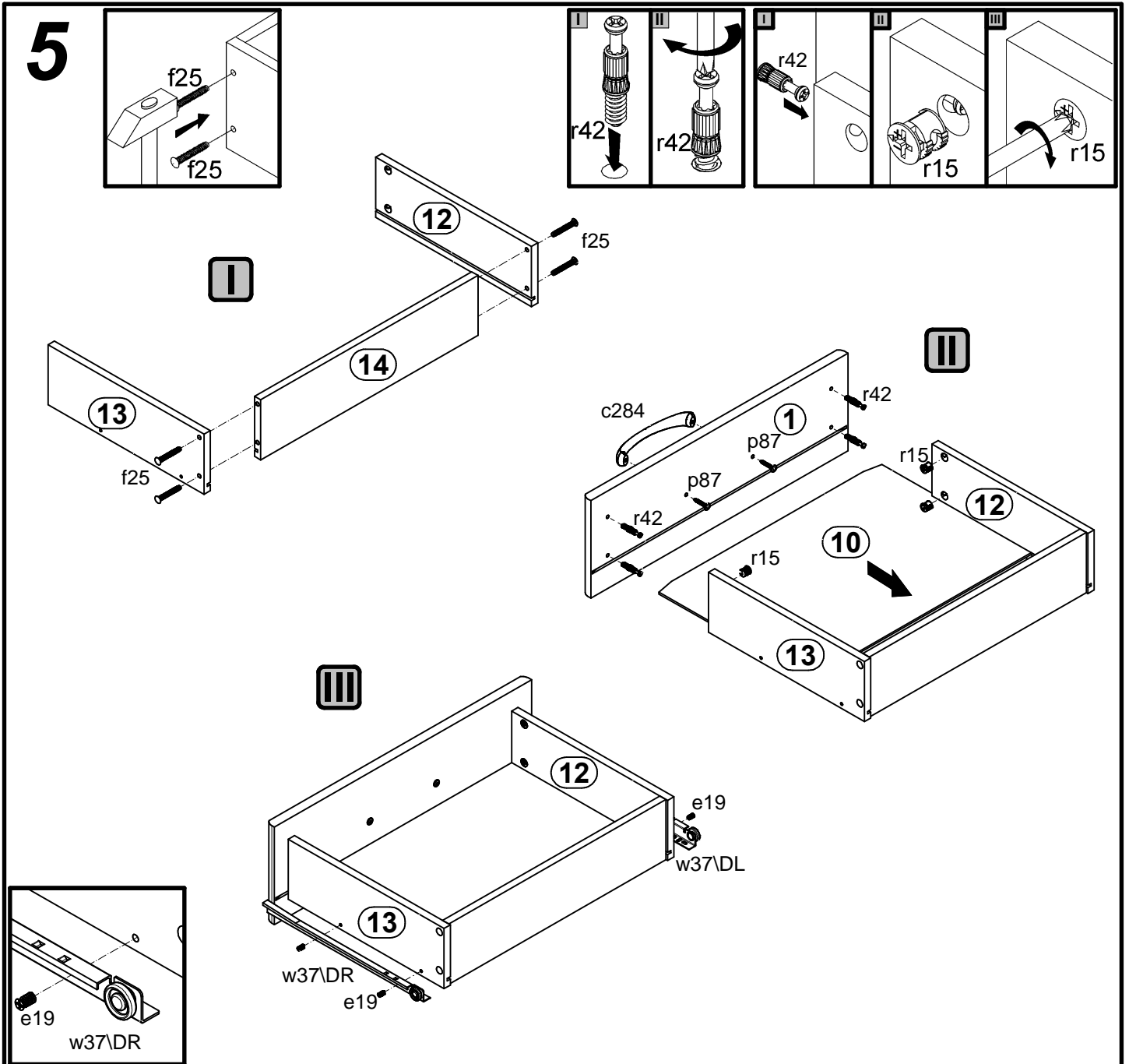
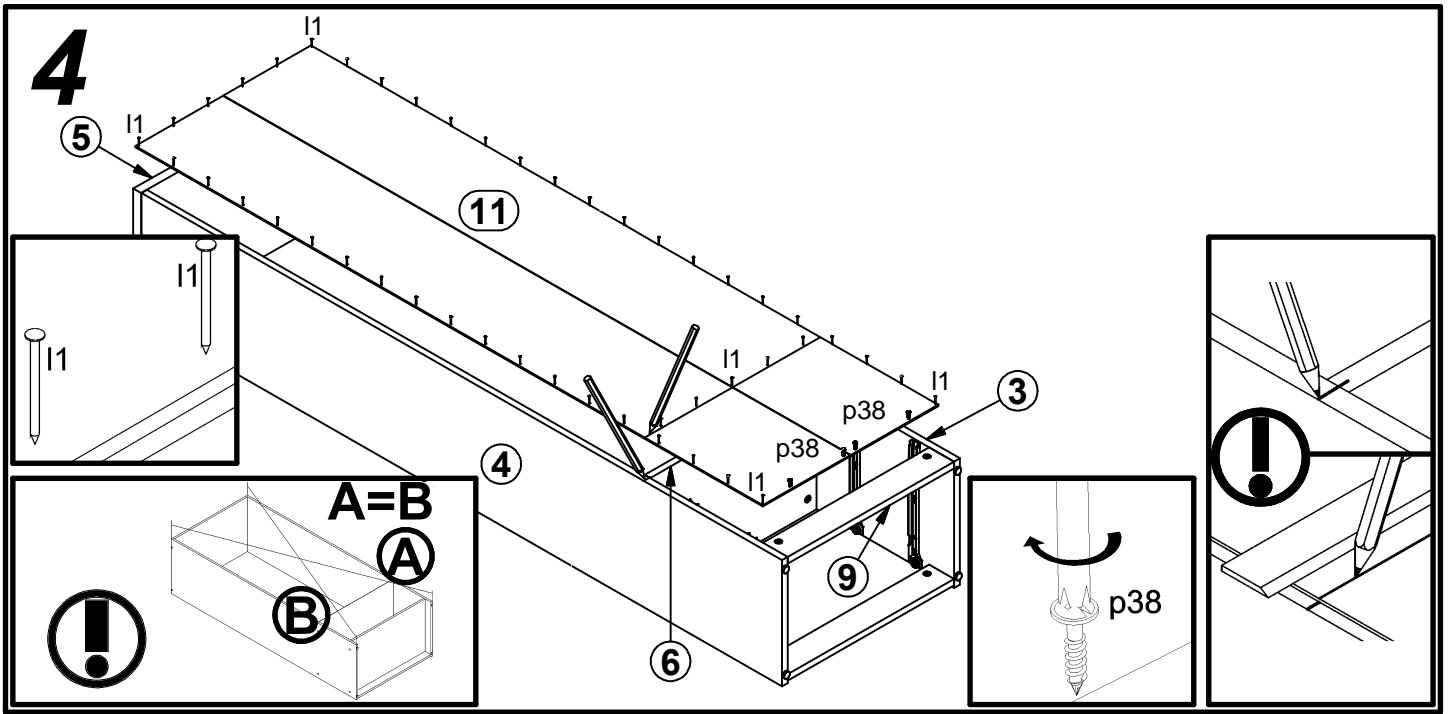
S93-REG1D2S



A	B	C	D	
1	S93-001	495	162	4/5
2	S93-014	1400	495	5/5
3	S93-114	1800	307	1/5
4	S93-115	1800	307	1/5
5	S93-201	500	327	2/5
6	S93-303	467	307	2/5
7	S93-311	465	301	2/5
8	S93-401	467	70	2/5
9	S93-404	467	70	2/5
10	S93-902	429	298	2/5
11	S93-914	1762	493	1/5
12	ZS1-559	300	100	2/5
13	ZS1-560	300	100	2/5
14	ZS1-6544	418	100	2/5

4x a44	4x b19	3x c284	12x d1 φ5x17 mm	8x e2 φ6,3x13 mm	12x e3 φ6x13 mm	8x e19 φ5x9 mm	12x f1 φ8x30 mm	8x f25 φ6,5x40 mm
4x k1	50x l1	4x p38 φ3,5x16 mm	8x p51 φ3,5x15 mm	6x p87 φ4x25 mm	12x r1 φ1,5x12mm #16	8x r15 φ1,2x10,5mm #12	20x r42	4x s2 ø16
2x w37\CL 300 mm	2x w37\CR 300 mm	2x w37\DL 300 mm	2x w37\DR 300 mm	1x n26\1	1x p38 φ3,5x16 mm			





6

