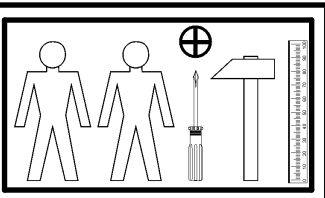
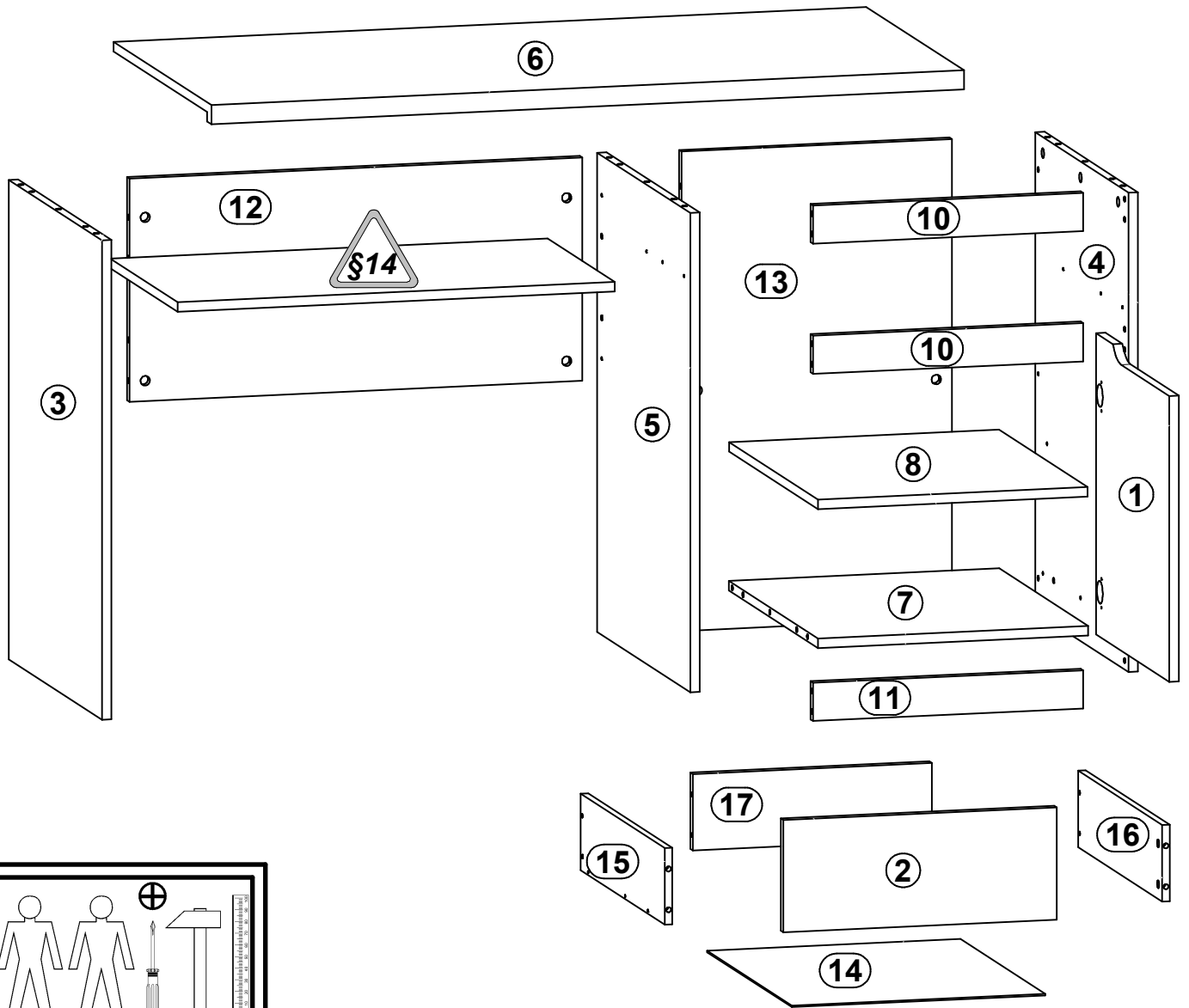
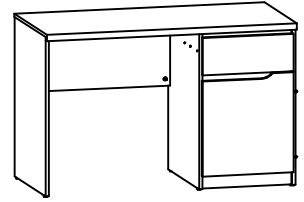
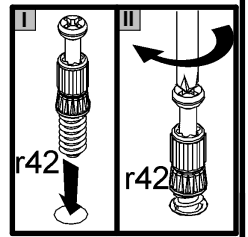
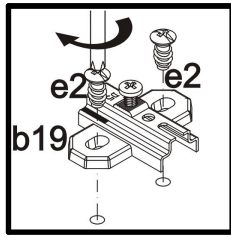
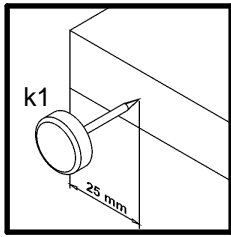
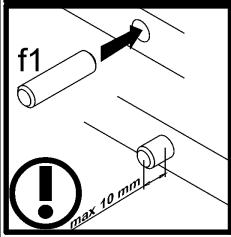
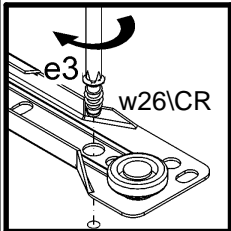
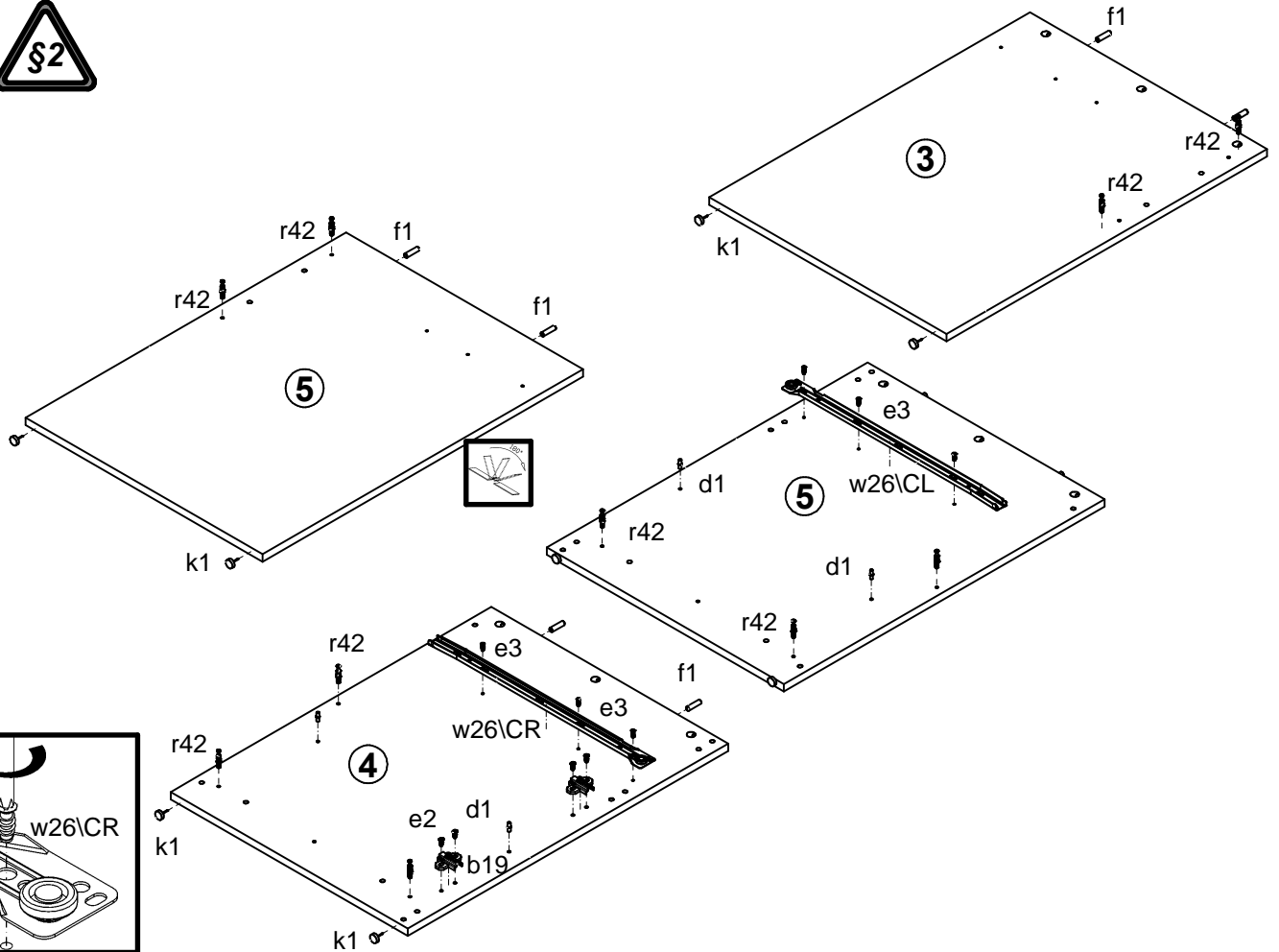


A	B	C	D	A	B	C	D		
1	S162-018	436	472	3/3	10	S162-413	431	60	2/3
2	S162-019	436	176	3/3	11	S162-414	431	60	2/3
3	S162-118	751	555	1/3	12	S162-415	722	350	1/3
4	S162-119	751	555	1/3	13	S162-422	751	431	2/3
5	S162-120	751	555	1/3	14	S162-915	404	505	1/3
6	S162-207	1200	582	2/3	15	ZS3-505	500	120	2/3
7	S162-312	431	530	1/3	16	ZS3-506	500	120	2/3
8	S162-313	430	529	1/3	17	ZS3-5513	381	120	2/3

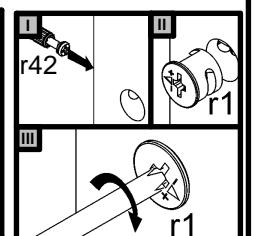
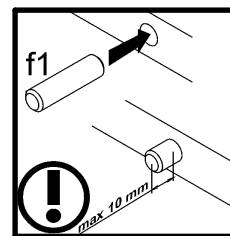
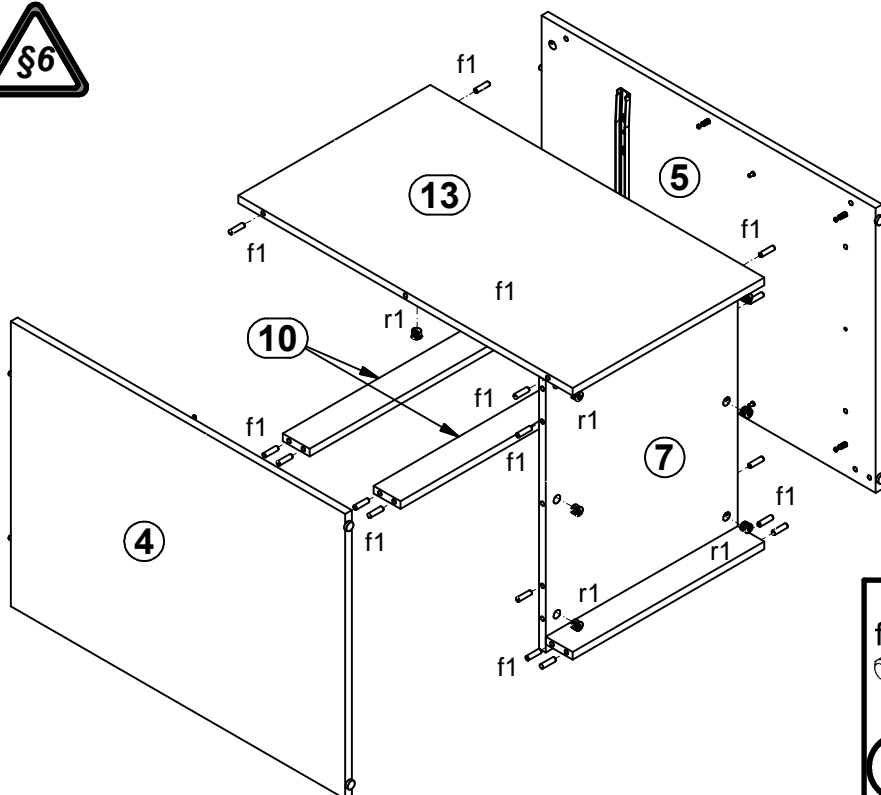


2x a68	2x b19	4x Ø5x17 mm d1	6x Ø5x9 mm e19	4x Ø6.3x13 mm e2	6x Ø6x13 mm e3	21x Ø15x12 mm #16 r1	4x Ø12x10.5 mm #12 r15	25x r42
9x Ø16 s2	3x Ø3.5x16 mm p38	4x Ø3.5x15 mm p51	1x 500 mm w26\DR	1x 500 mm w26\CL	1x 500 mm w26\CR	1x 500 mm w26\DL	30x Ø8x30 mm f1	4x Ø6.5x40 mm f25
6x k1								

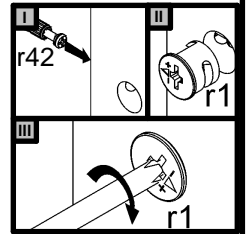
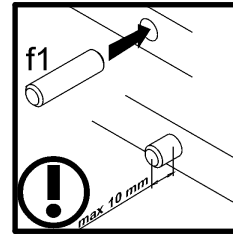
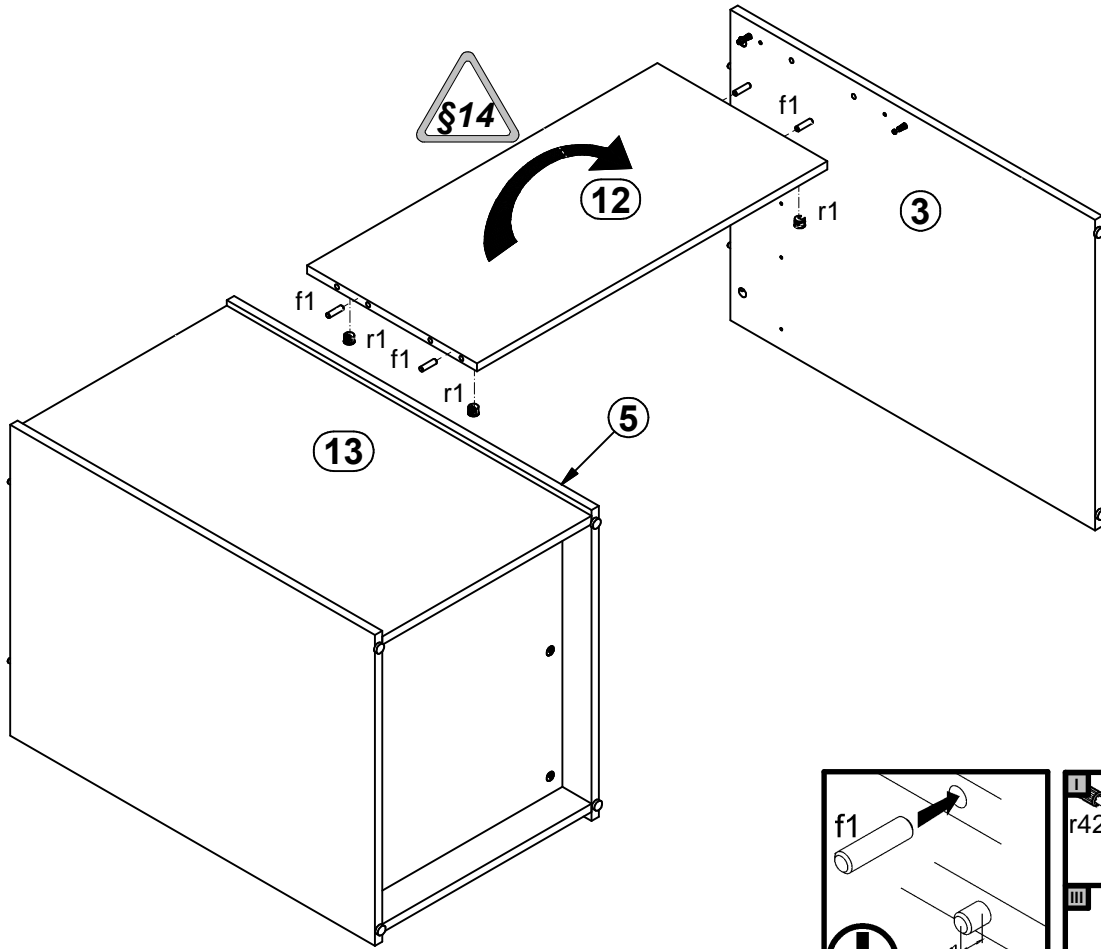
1



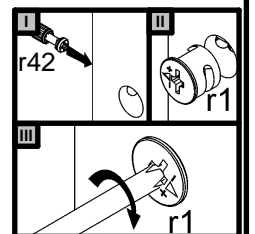
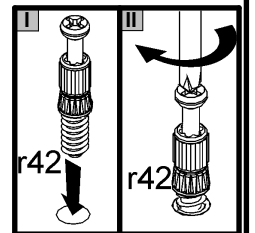
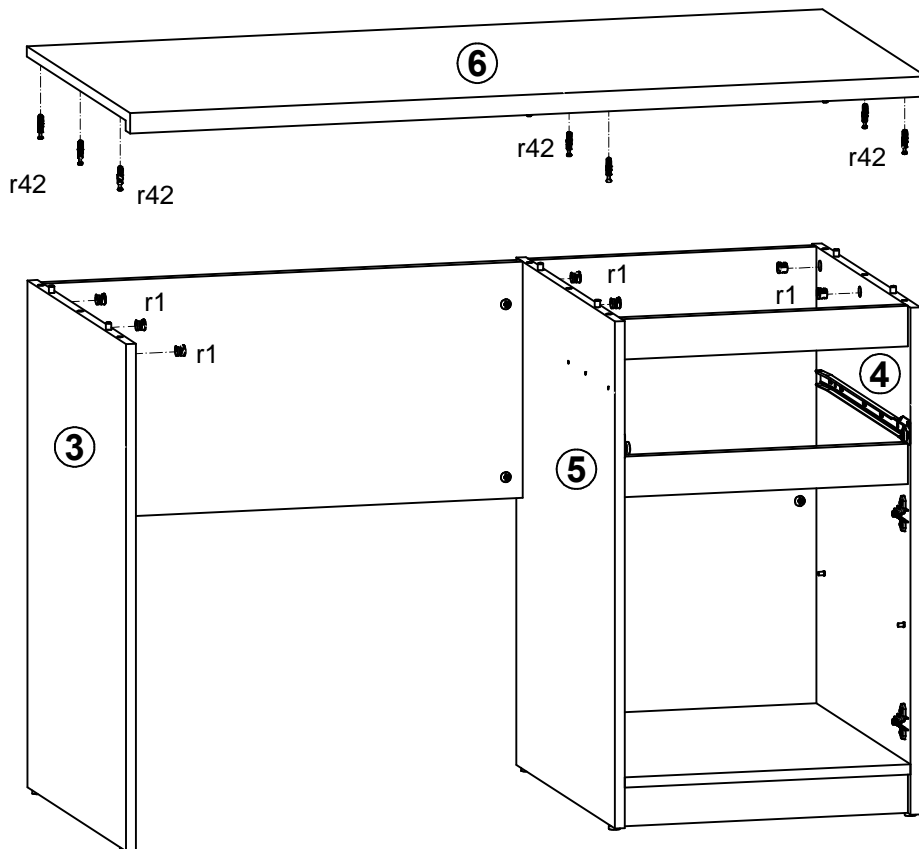
2



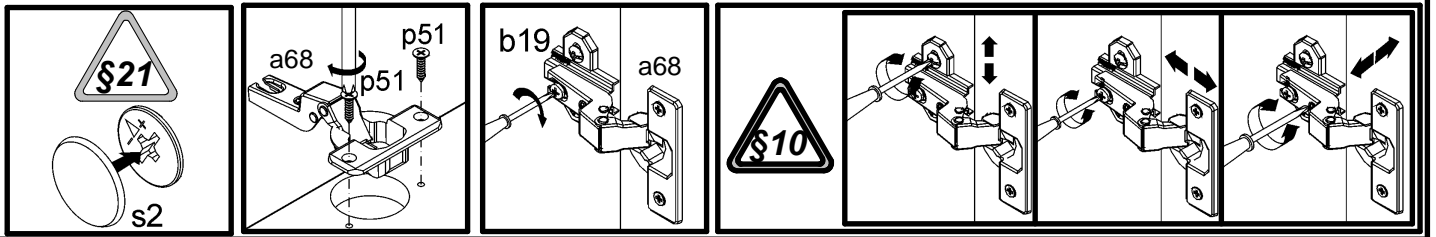
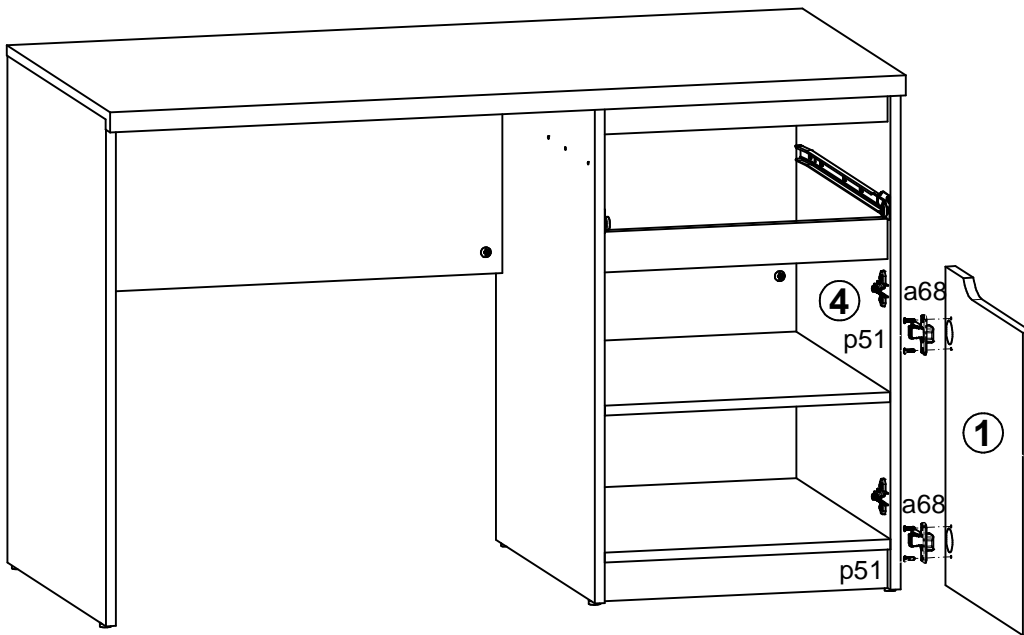
3



4



5



6

