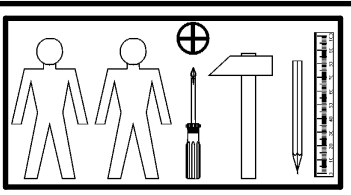
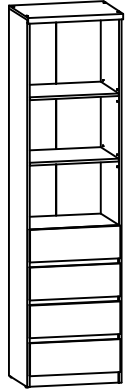
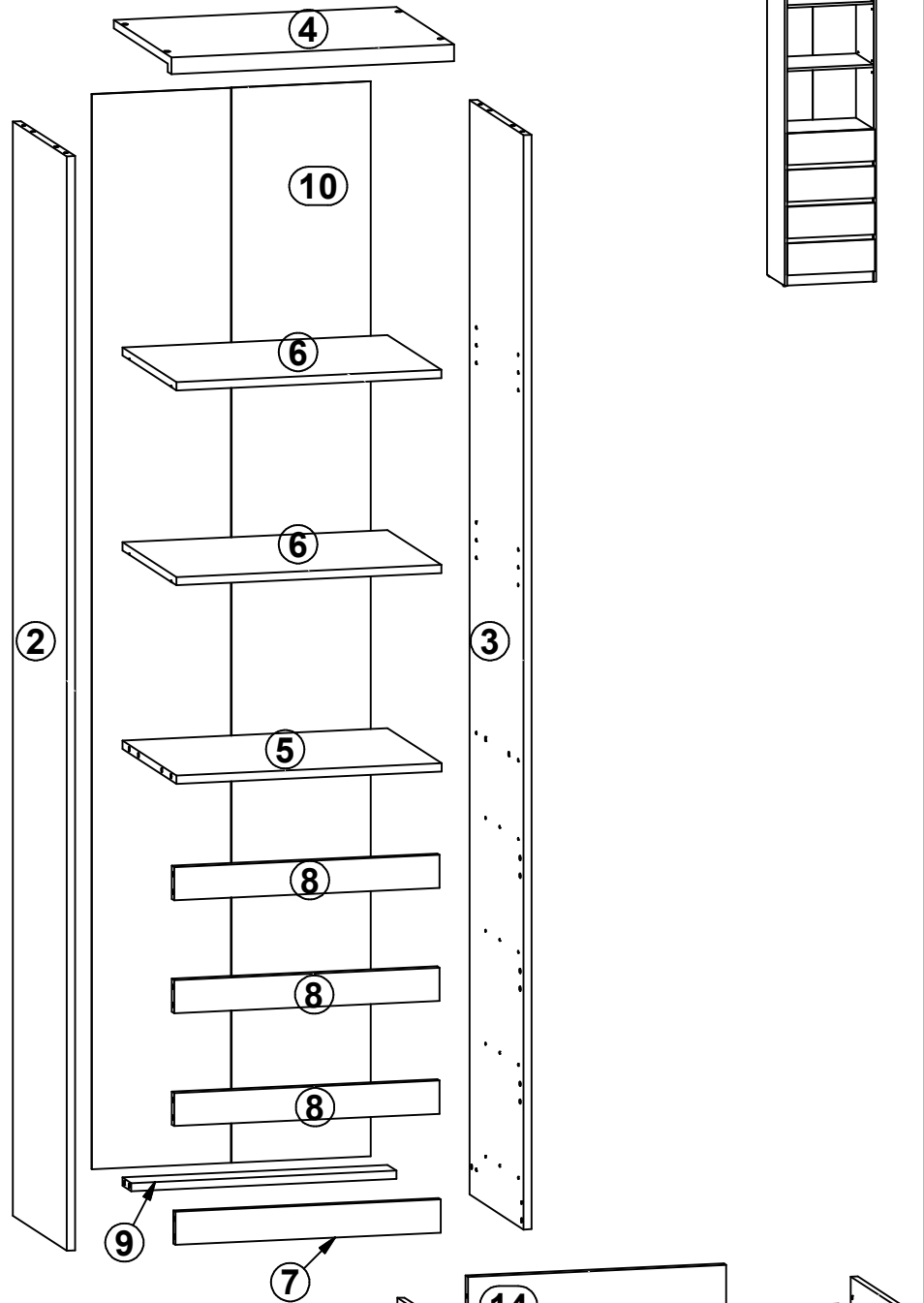
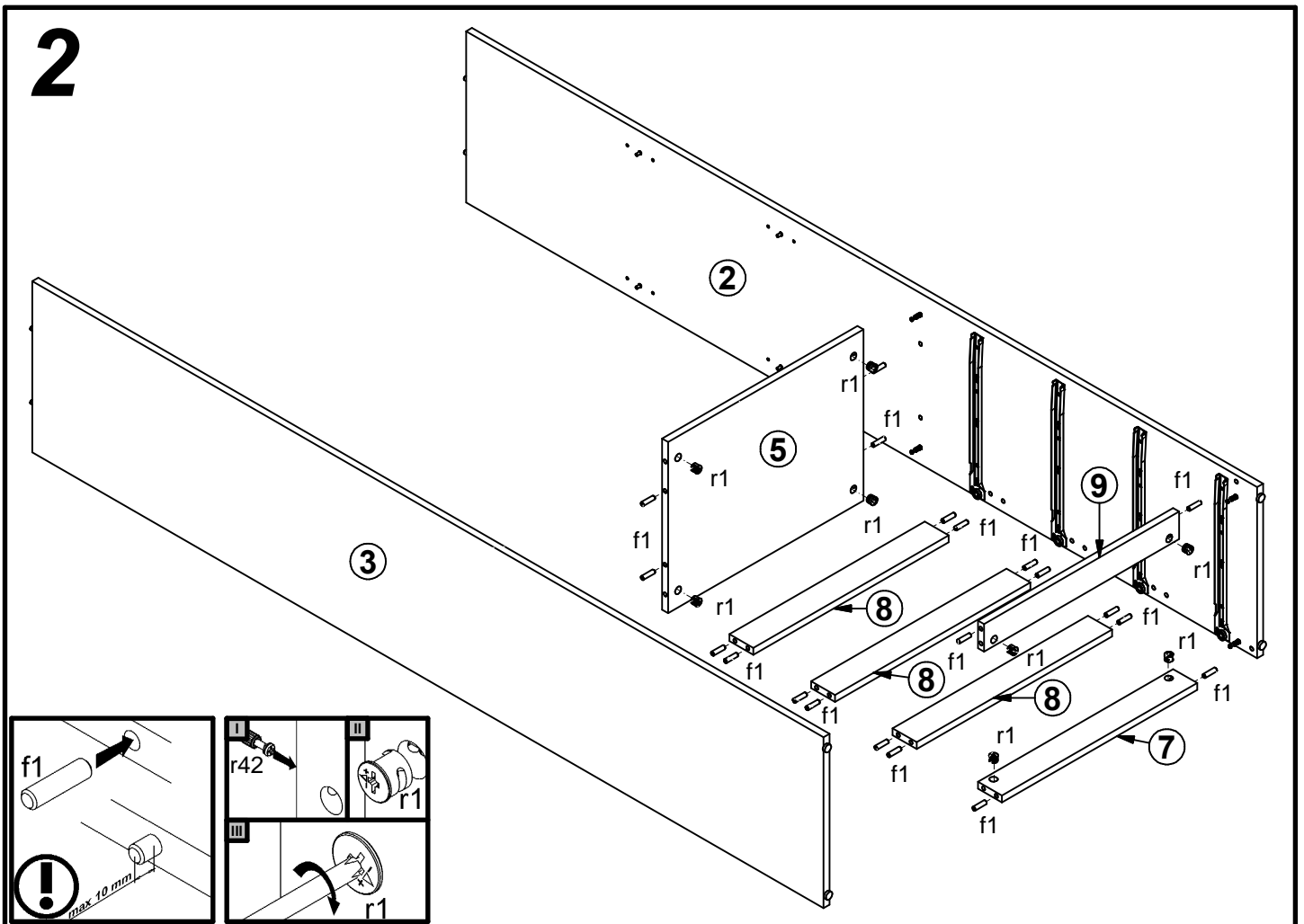
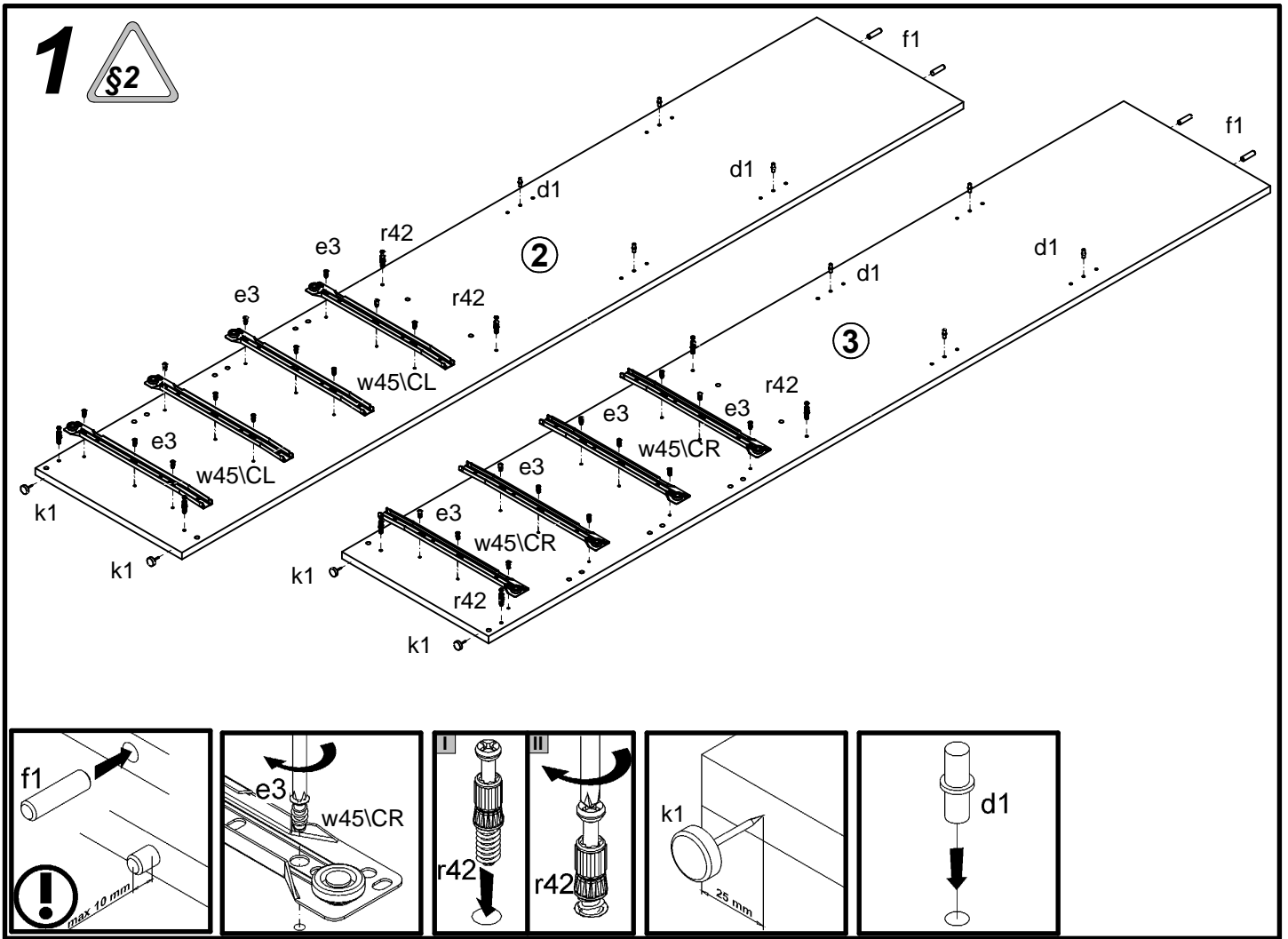


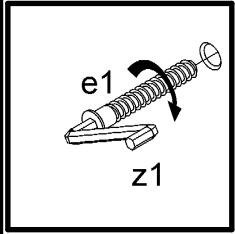
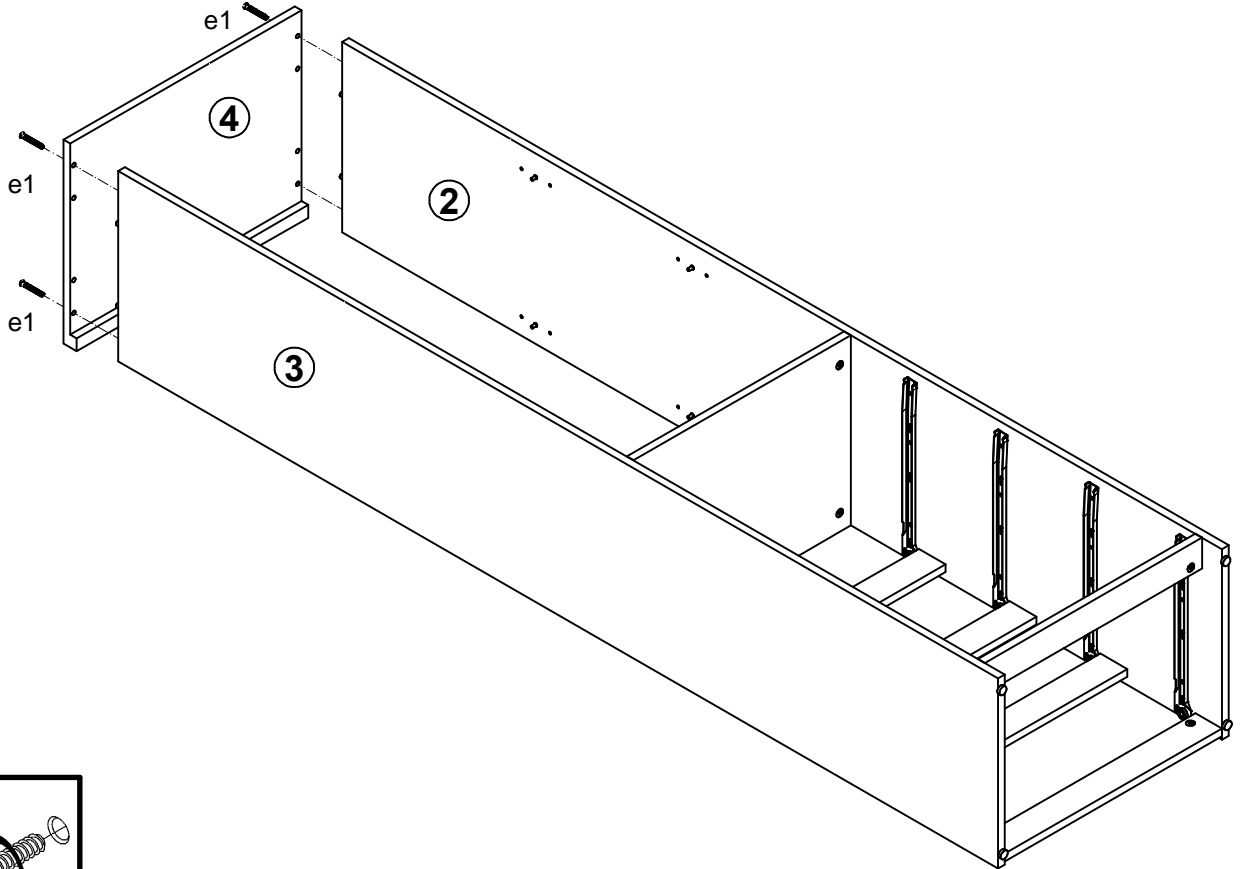
A	B	C	D	
1	S162-006	494	176	3/3
2	S162-107	1977	371	1/3
3	S162-108	1977	371	1/3
4	S162-206	520	397	2/3
5	S162-301	488	371	2/3
6	S162-302	487	370	2/3
7	S162-404	488	60	2/3
8	S162-405	488	60	2/3
9	S162-408	488	60	2/3
10	S162-903	1942	513	1/3
11	S162-904	461	355	1/3
12	ZS3-509	350	120	2/3
13	ZS3-510	350	120	2/3
14	ZS3-5506	439	120	2/3



8x φ5x17 mm d1	4x φ7x50 mm e1	16x φ5x9 mm e19	24x φ6x13 mm e3	24x φ8x30 mm f1	16x φ6.5x40 mm f25	4x k1	60x l1	12x φ3.5x16 mm p38
8x φ15x12mm #16 r1	16x φ12x10.5mm #12 r15	24x r42	4x 350 mm w45\CL	4x 350 mm w45\CR	4x 350 mm w45\DL	4x 350 mm w45\DR	1x z1	1x n26\1
1x φ3.5x16 mm p38	4x ø16 s2							



3



4

