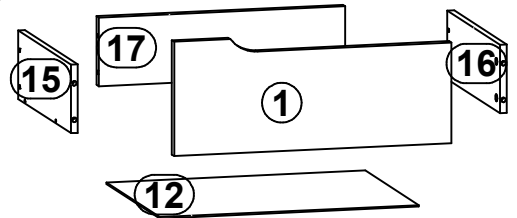
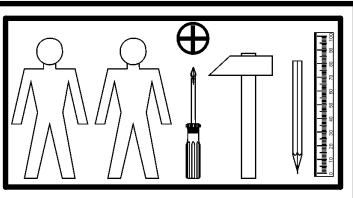
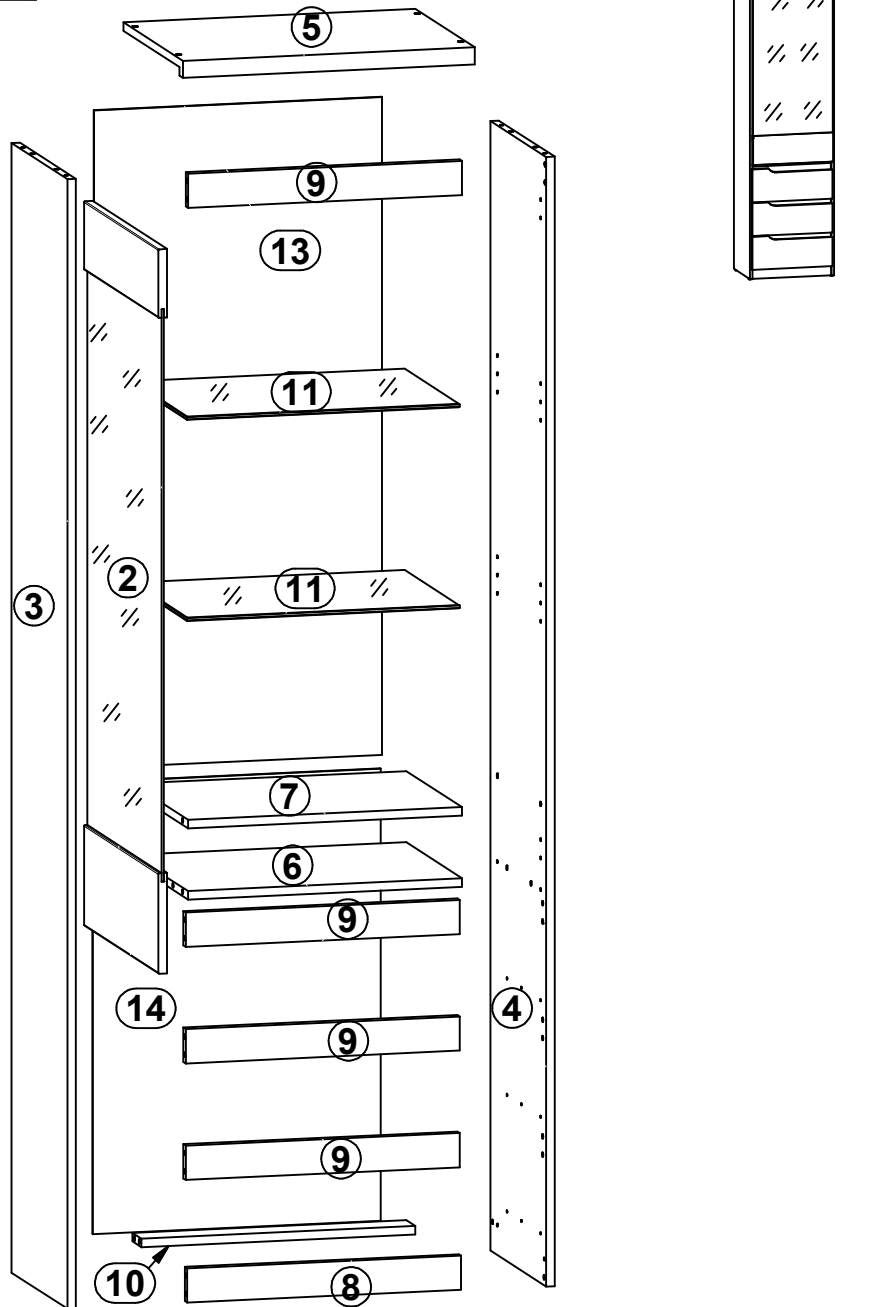
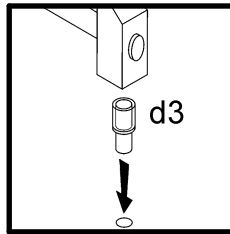
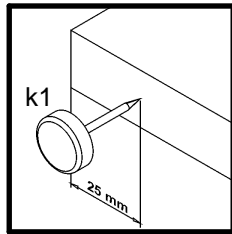
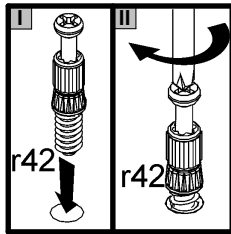
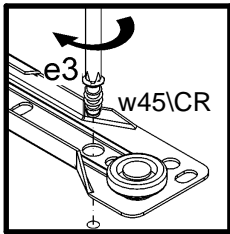
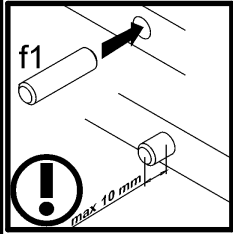
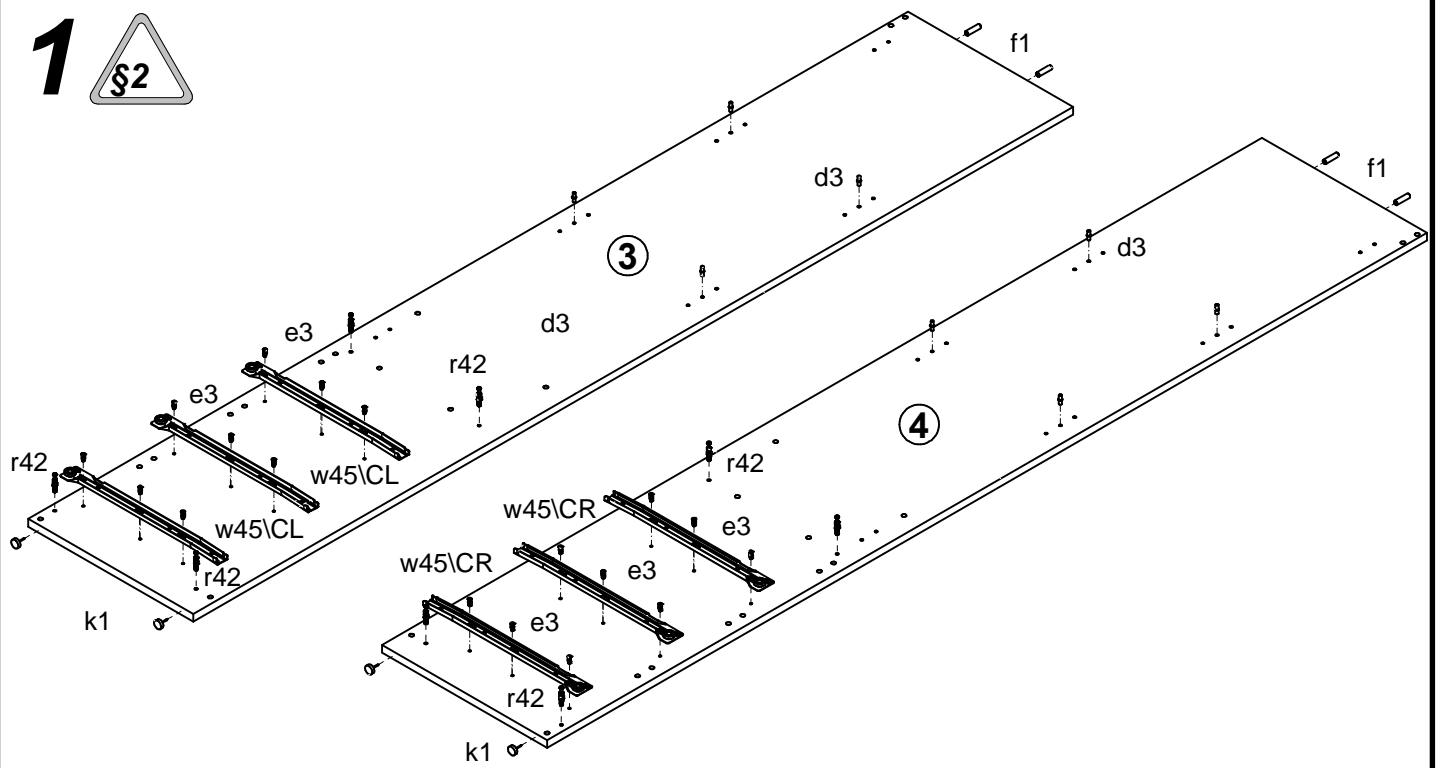


A	B	C	D	
1	S162-016	494	200	4/5
2	S162-017	494	1268	5/5
3	S162-103	1977	371	1/5
4	S162-104	1977	371	1/5
5	S162-206	520	397	2/5
6	S162-301	488	371	2/5
7	S162-311	488	371	2/5
8	S162-404	488	60	2/5
9	S162-405	488	60	2/5
10	S162-408	488	60	2/5
11	S162-502	486	363	3/5
12	S162-904	461	355	2/5
13	S162-913	1151	513	5/5
14	S162-914	791	513	5/5
15	ZS3-509	350	120	2/5
16	ZS3-510	350	120	2/5
17	ZS3-5506	439	120	2/5

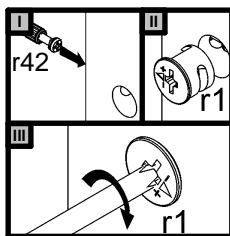
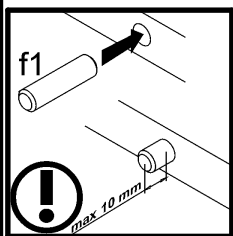
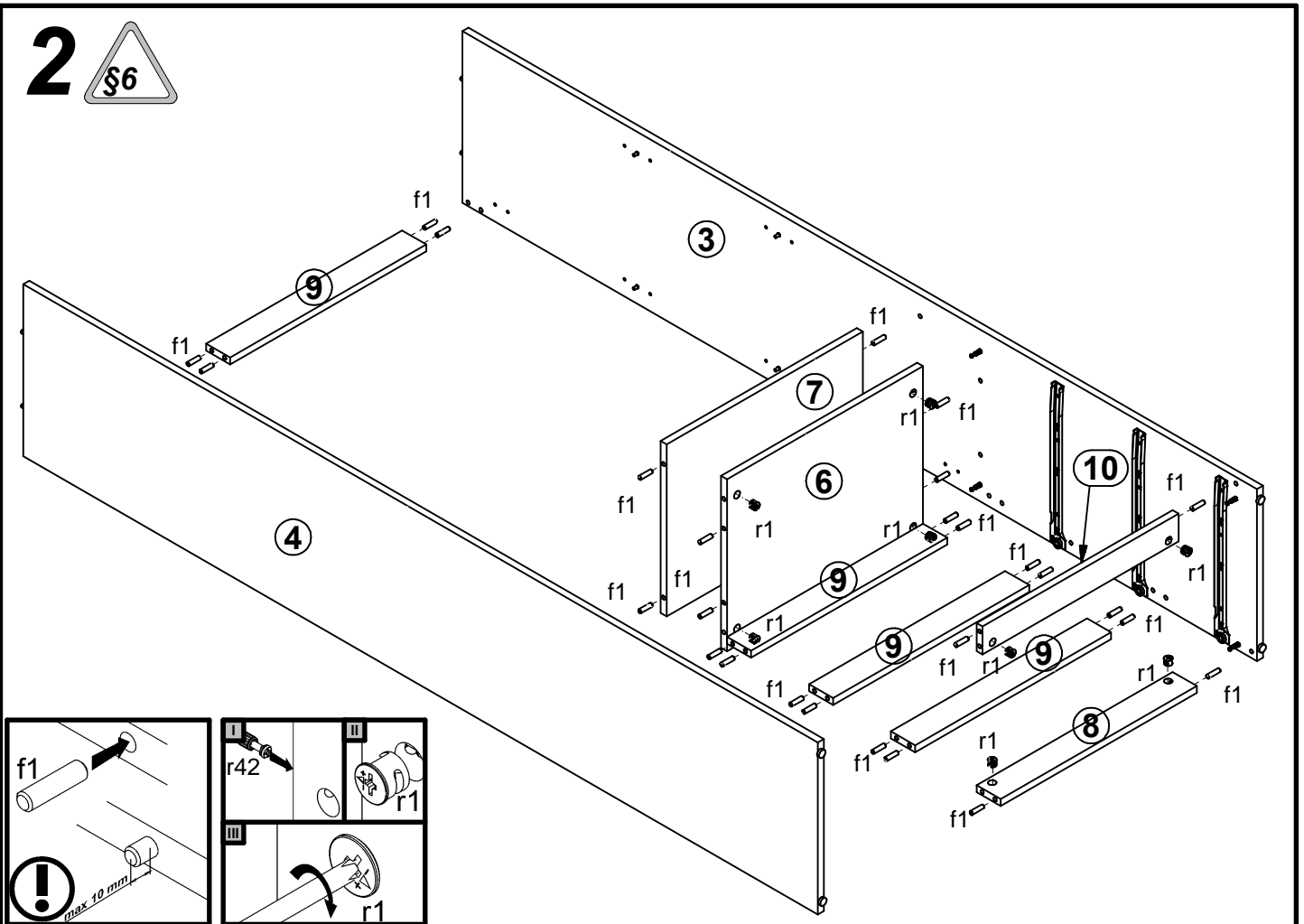


2x a68	2x b19	8x φ5x17 mm d3	4x φ7x50 mm e1	12x φ5x9 mm e19	4x φ6,3x13 mm e2	18x φ6x13 mm e3	32x φ8x30 mm f1	12x φ6,5x40 mm f25
4x k1	60x l1	9x φ3,5x16 mm p38	4x φ3,5x15 mm p51	8x φ15x12mm #16 r1	12x φ12x10,5mm #12 r15	20x r42	3x 350 mm w45 CL	3x 350 mm w45 CR
3x 350 mm w45 DL	3x 350 mm w45 DR	1x z1	1x n26 1	1x φ3,5x16 mm p38				

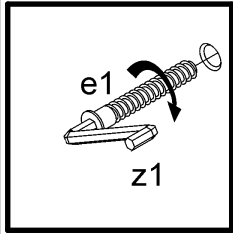
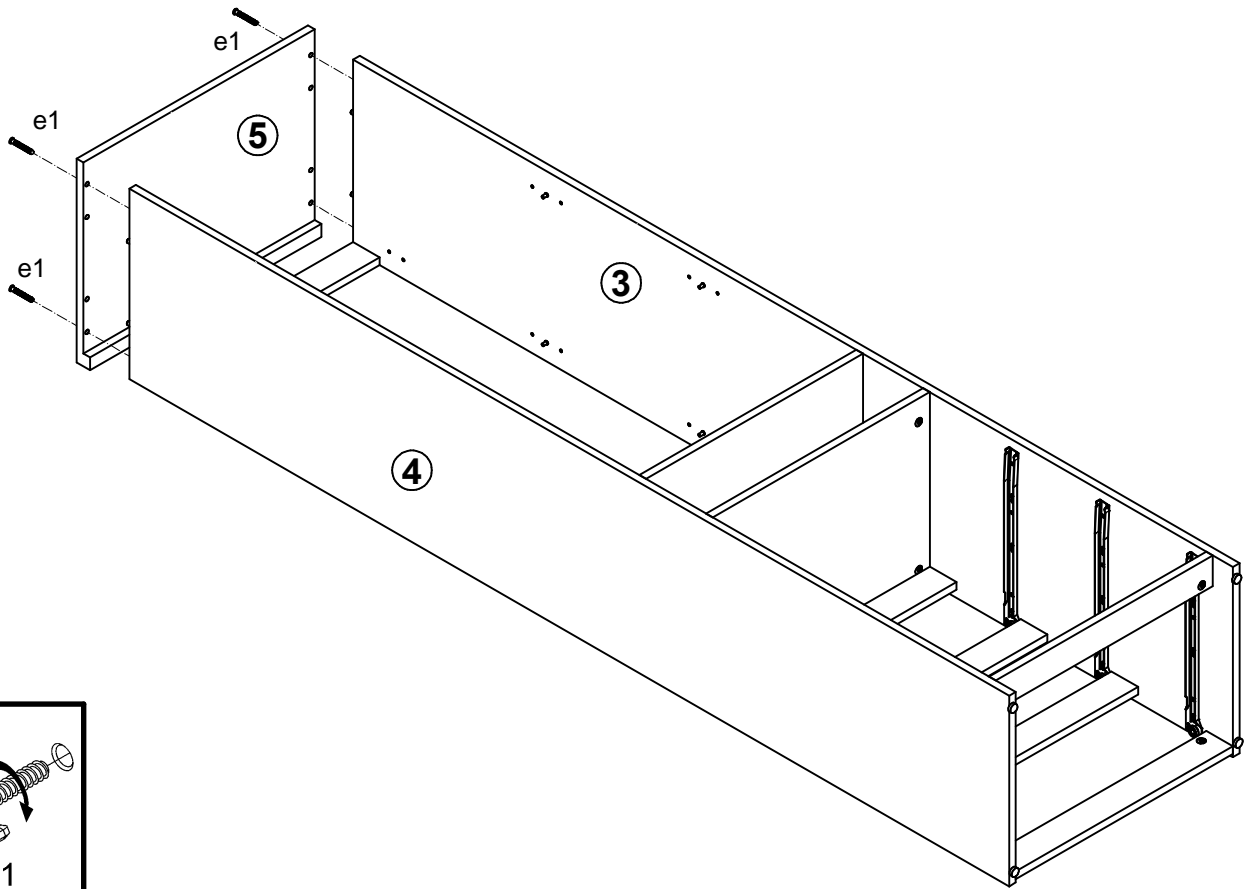
1



2



3



4

