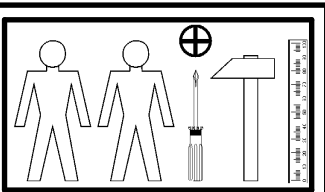
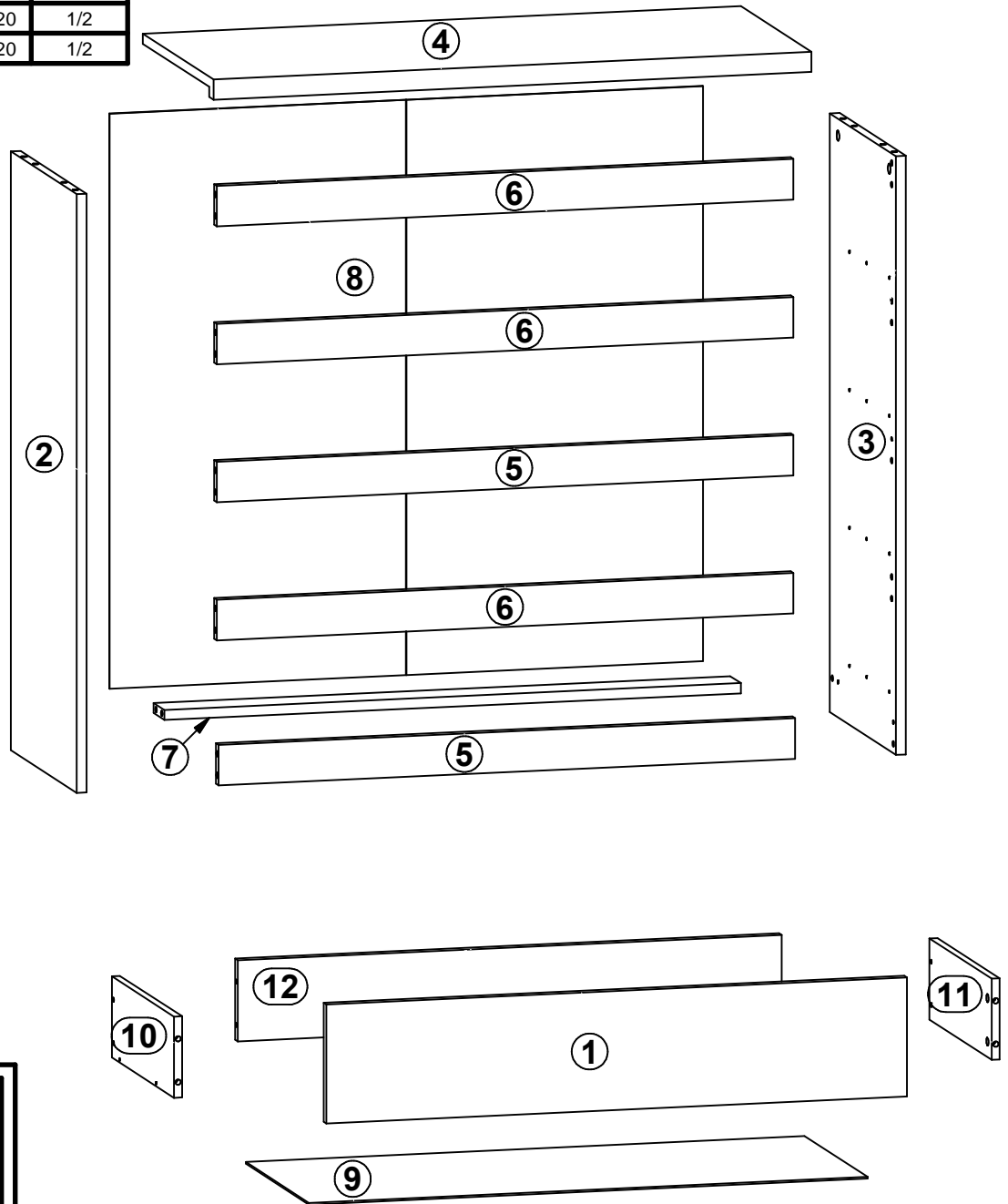


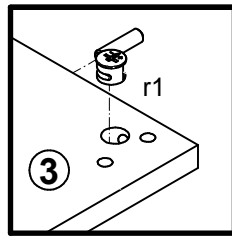
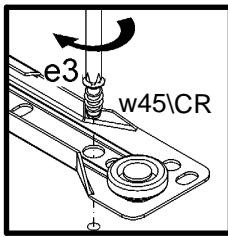
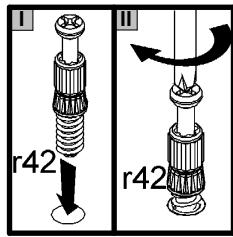
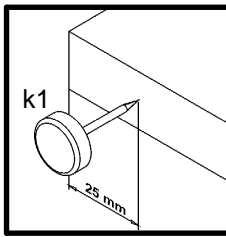
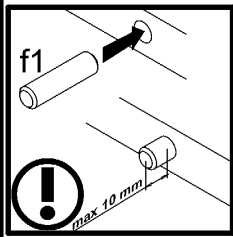
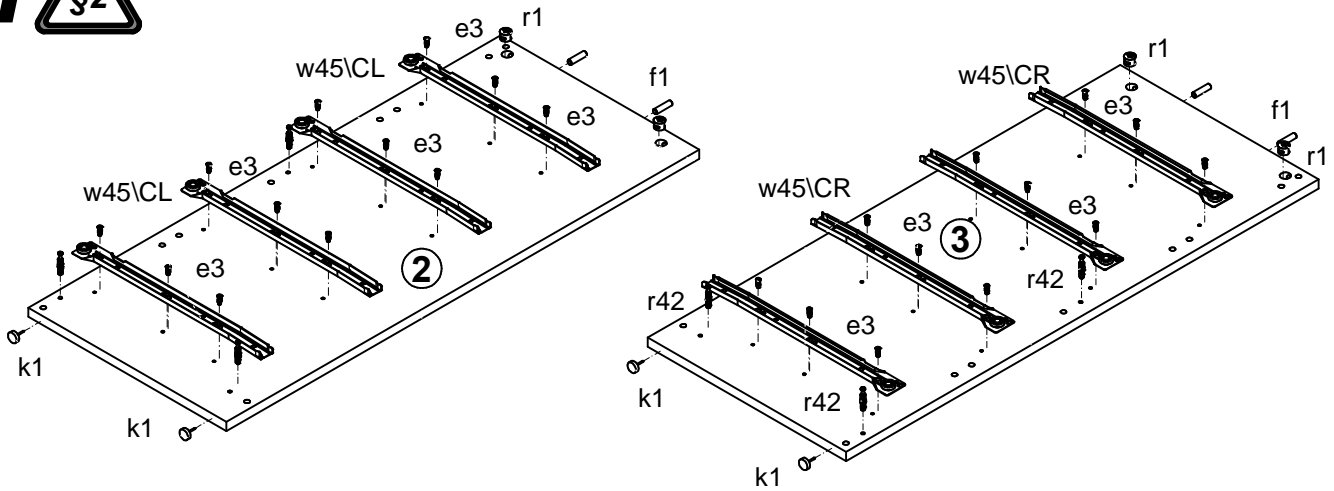
# S162-KOM4S/90

A	B	C	D	
1	S162-001	874	176	2/2
2	S162-101	885	371	1/2
3	S162-102	885	371	1/2
4	S162-201	900	397	1/2
5	S162-401	868	60	1/2
6	S162-403	868	60	1/2
7	S162-407	868	60	1/2
8	S162-901	850	893	1/2
9	S162-902	841	355	1/2
10	ZS3-509	350	120	1/2
11	ZS3-510	350	120	1/2
12	ZS3-5505	819	120	1/2

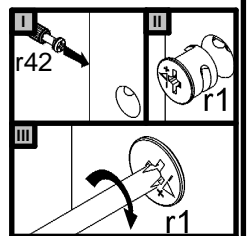
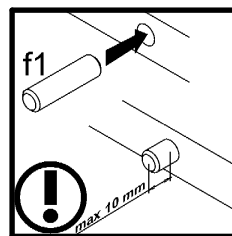
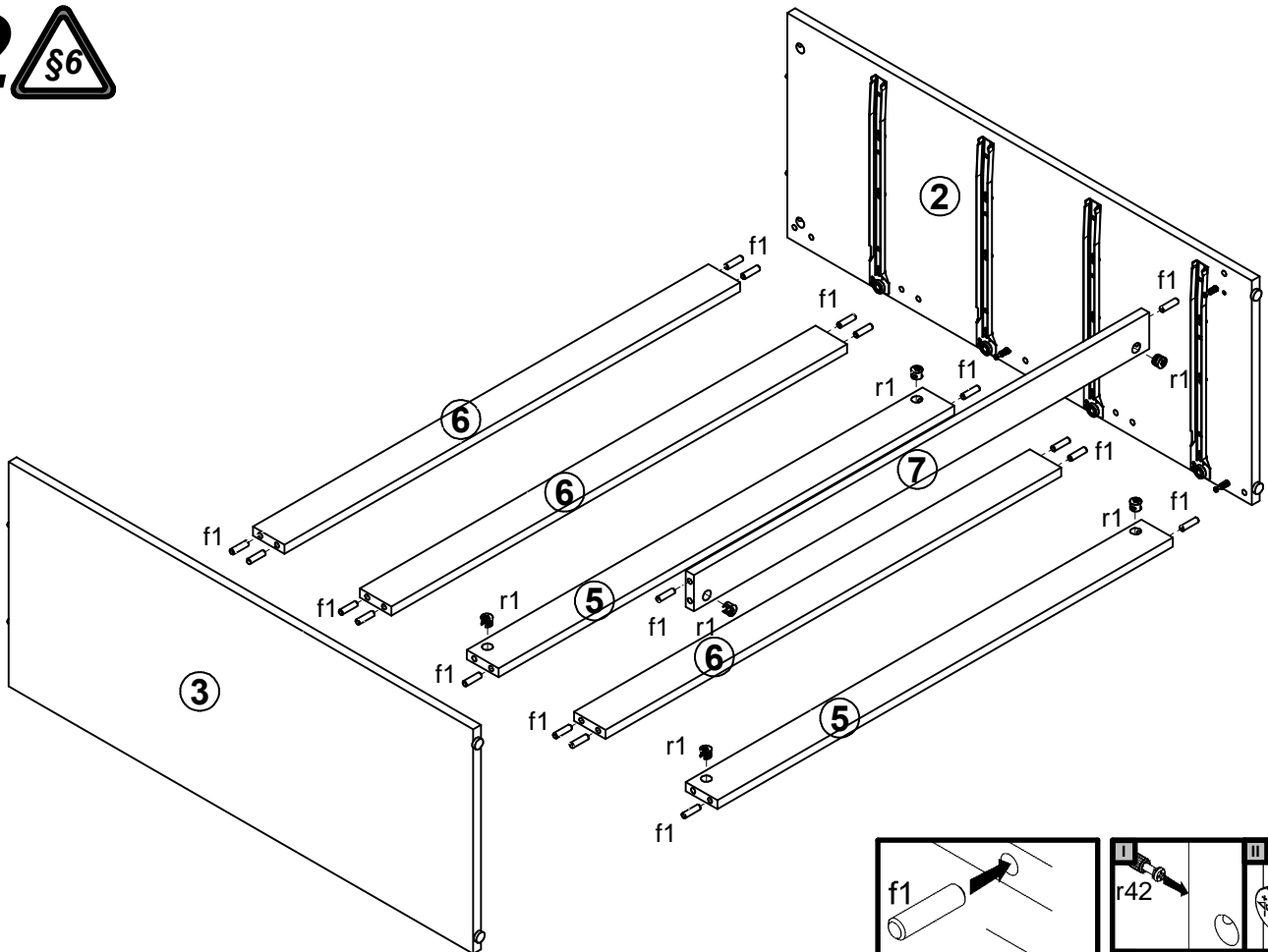


16x φ5x9 mm <b>e19</b>	24x φ6x13 mm <b>e3</b>	22x φ8x30 mm <b>f1</b>	16x φ6.5x40 mm <b>f25</b>	4x <b>k1</b>	40x <b>l1</b>	4x φ3.5x16 mm <b>p25</b>	4x φ3.5x10 mm <b>p35</b>	16x φ3.5x16 mm <b>p38</b>
10x φ15x12mm #16 <b>r1</b>	16x φ12x10.5mm #12 <b>r15</b>	26x <b>r42</b>	4x 350 mm <b>t35</b>	4x 350 mm <b>w45\CL</b>	4x 350 mm <b>w45\CR</b>	4x 350 mm <b>w45\DL</b>	4x 350 mm <b>w45\DR</b>	1x <b>n26\1</b>
1x φ3.5x16 mm <b>p38</b>								

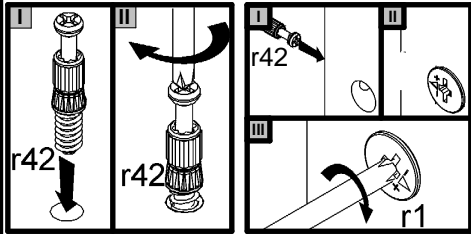
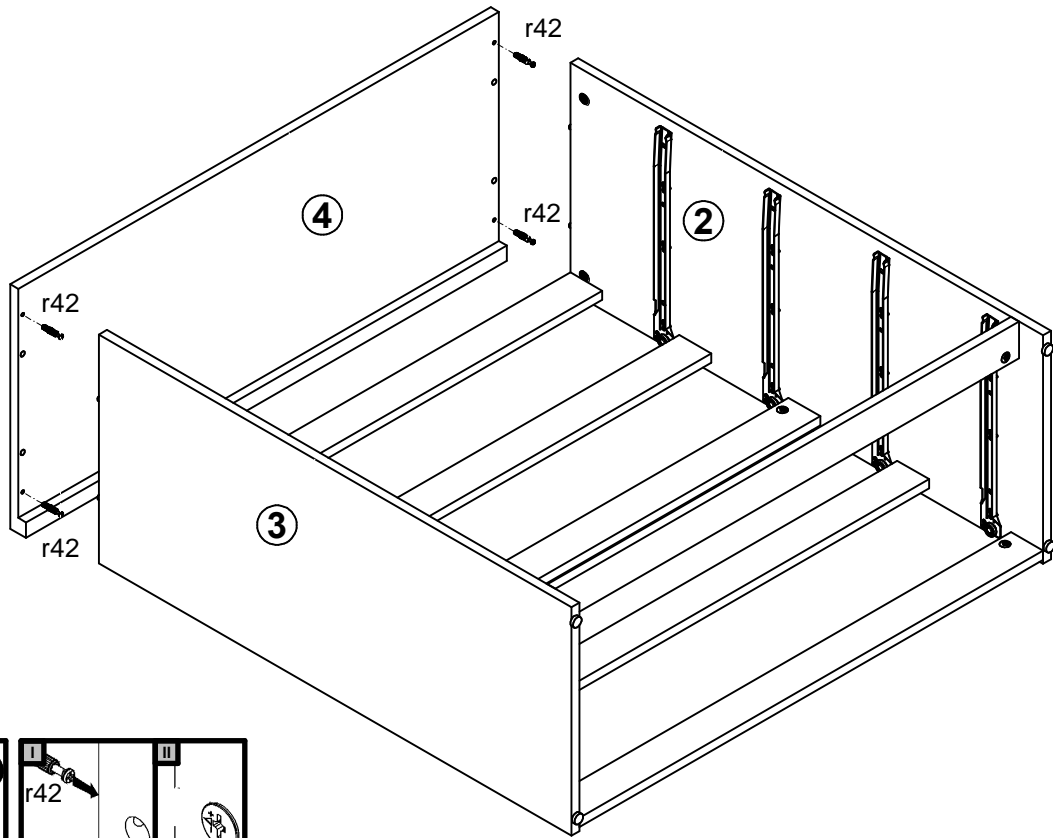
# 1



# 2



# 3



# 4

