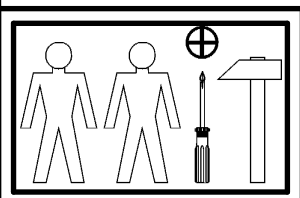
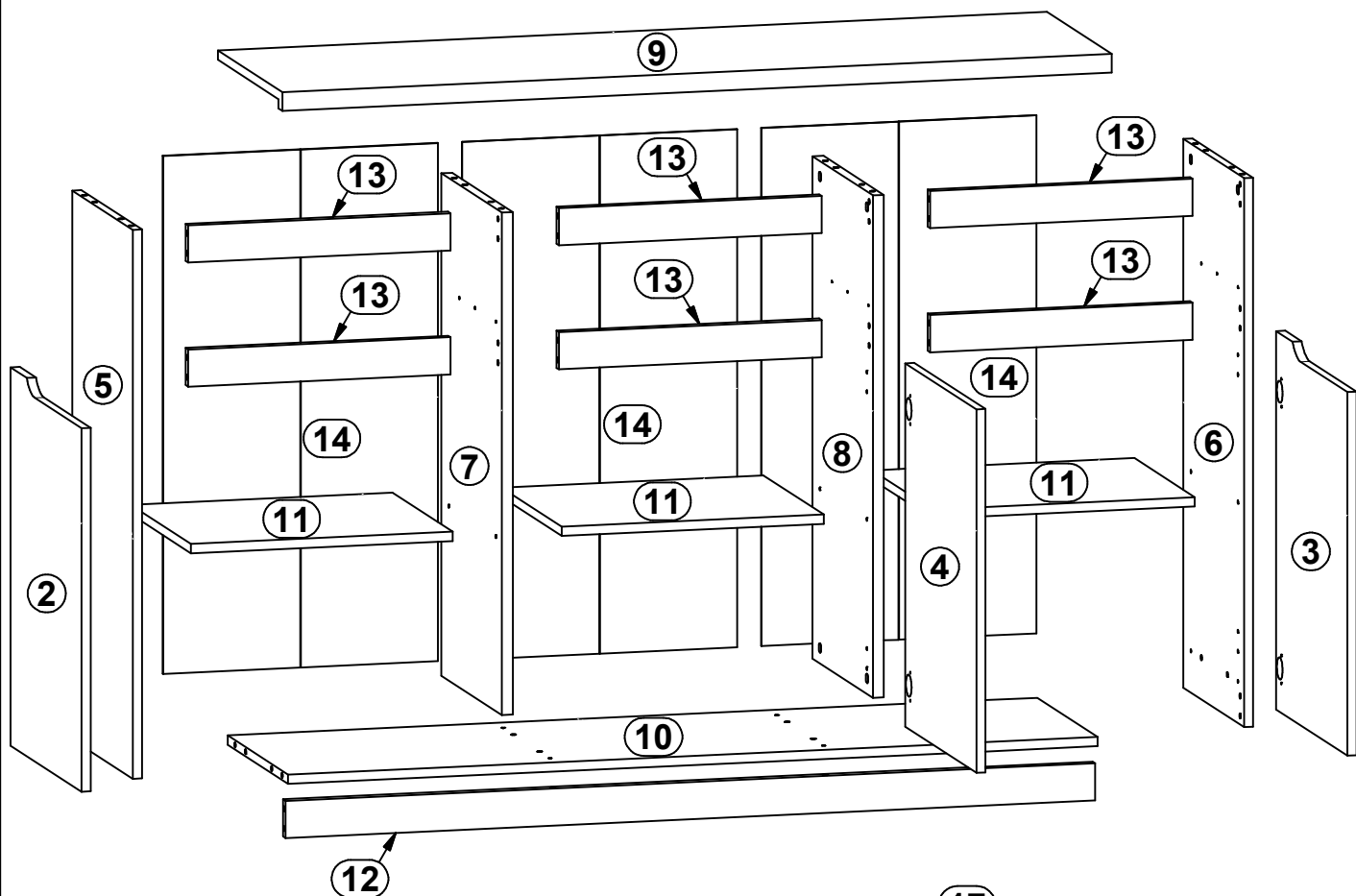
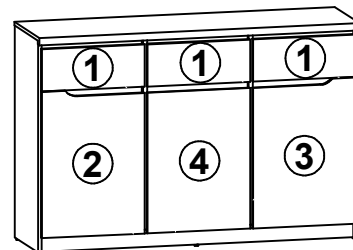
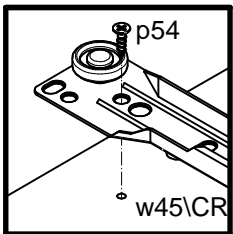
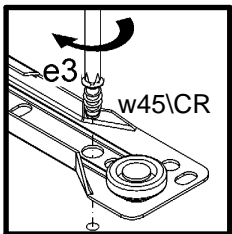
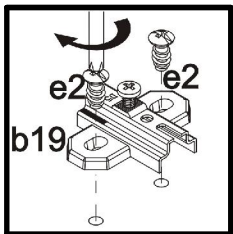
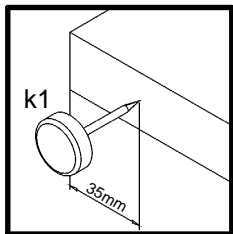
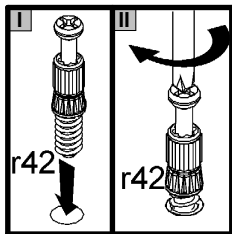
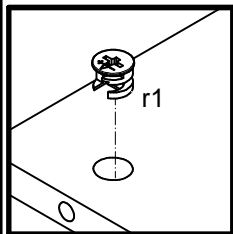
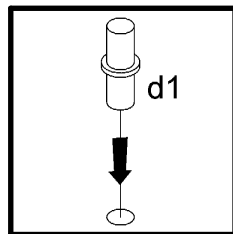
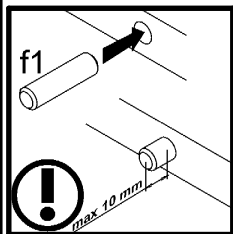
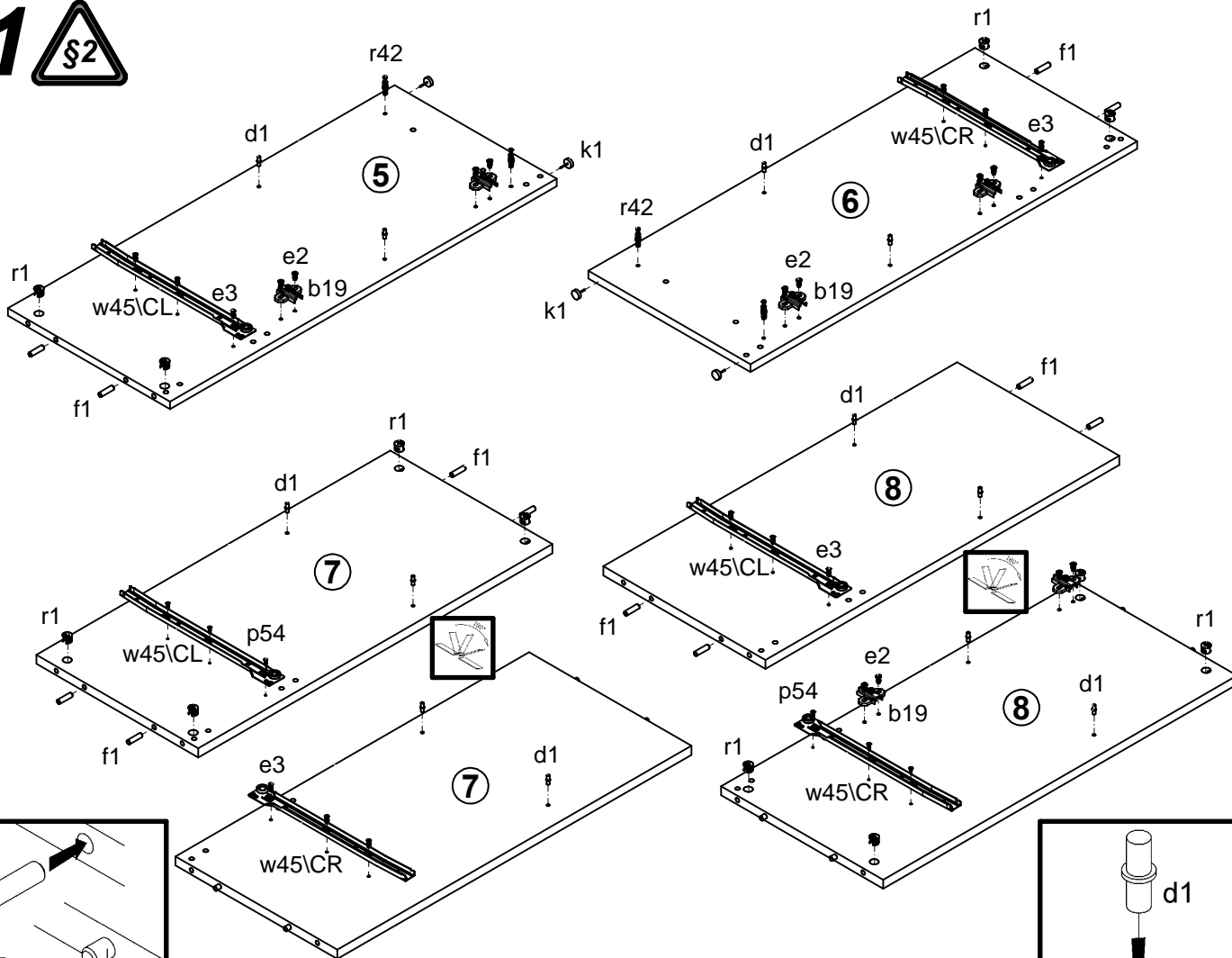


A	B	C	D	A	B	C	D		
1	S162-019	436	176	3/3	10	S162-315	1329	371	2/3
2	S162-020	610	436	3/3	11	S162-316	430	370	1/3
3	S162-021	610	436	3/3	12	S162-409	1329	60	2/3
4	S162-022	586	436	3/3	13	S162-413	431	60	1/3
5	S162-123	885	371	1/3	14	S162-917	835	451	2/3
6	S162-124	885	371	1/3	15	S162-918	404	355	2/3
7	S162-125	810	371	1/3	16	ZS3-509	350	120	2/3
8	S162-126	810	371	1/3	17	ZS3-510	350	120	2/3
9	S162-208	1361	397	2/3	18	ZS3-5530	382	120	2/3

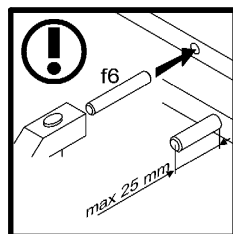
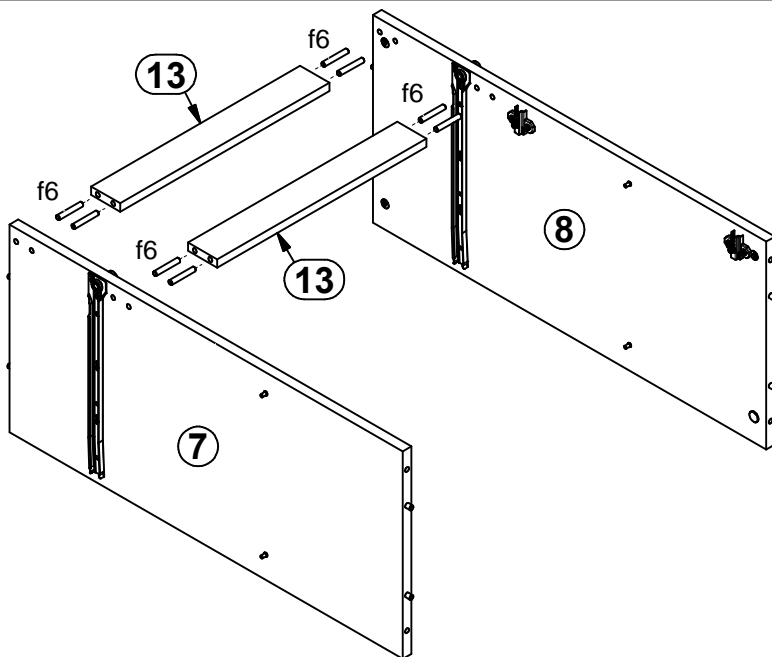


6x a68	6x b19	12x Ø5x17 mm d1	12x Ø5x9 mm e19	12x Ø6.3x13 mm e2	12x Ø6x13 mm e3	30x Ø8x30 mm f1	8x Ø8x50 mm f6	12x Ø6.5x40 mm f25
5x k1	90x l1	9x Ø3.5x16 mm p38	12x Ø3.5x15 mm p51	6x Ø3x12 mm p54	16x Ø15x12 mm #16 r1	12x Ø12x10.5 mm #12 r15	28x r42	3x Ø16 s2
3x 350 mm w45\CL	3x 350 mm w45\CR	3x 350 mm w45\DL	3x 350 mm w45\DR	1x n26\1	1x Ø3.5x16 mm p38			

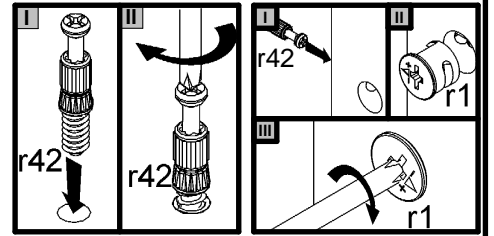
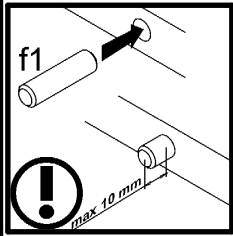
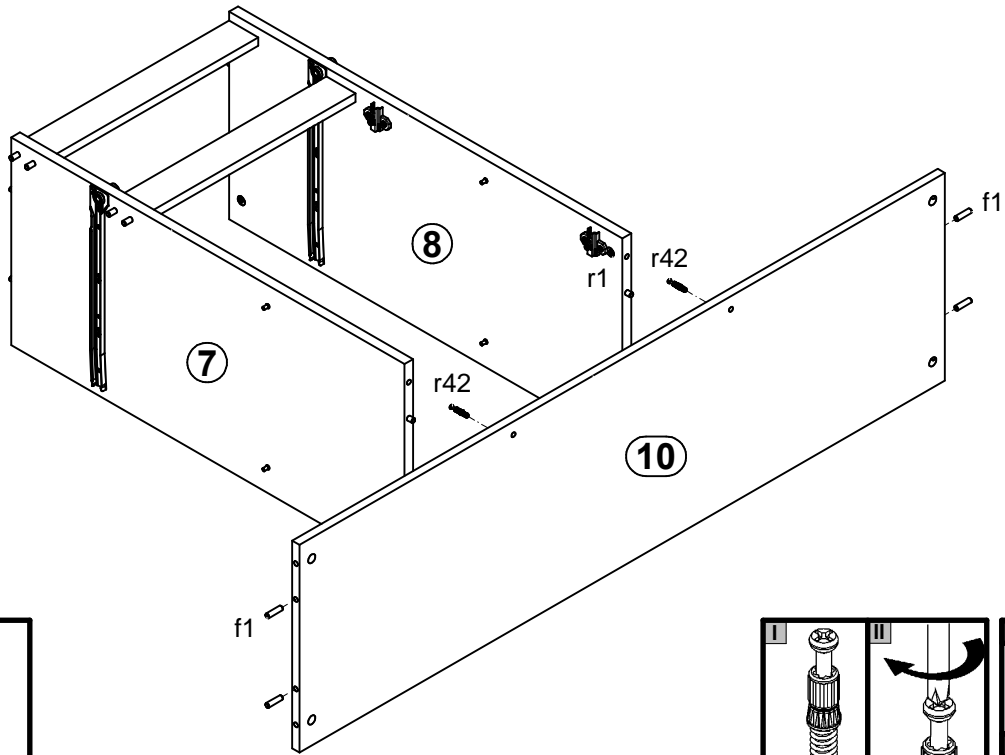
1 §2



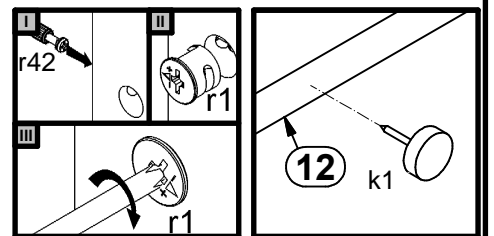
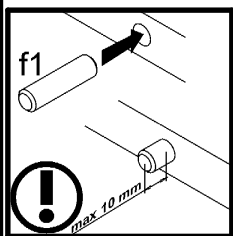
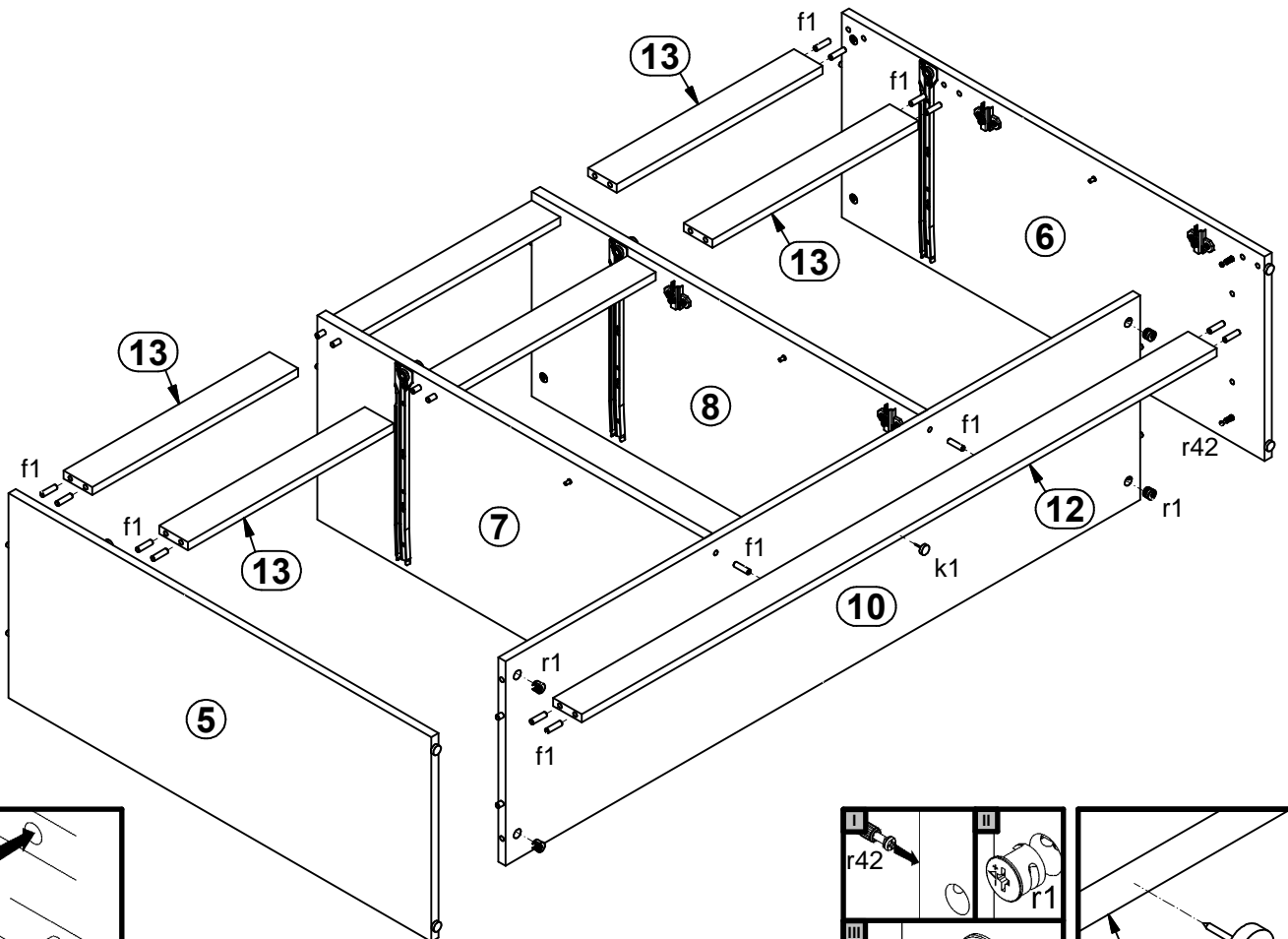
2 §6



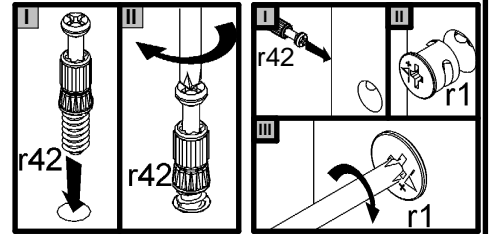
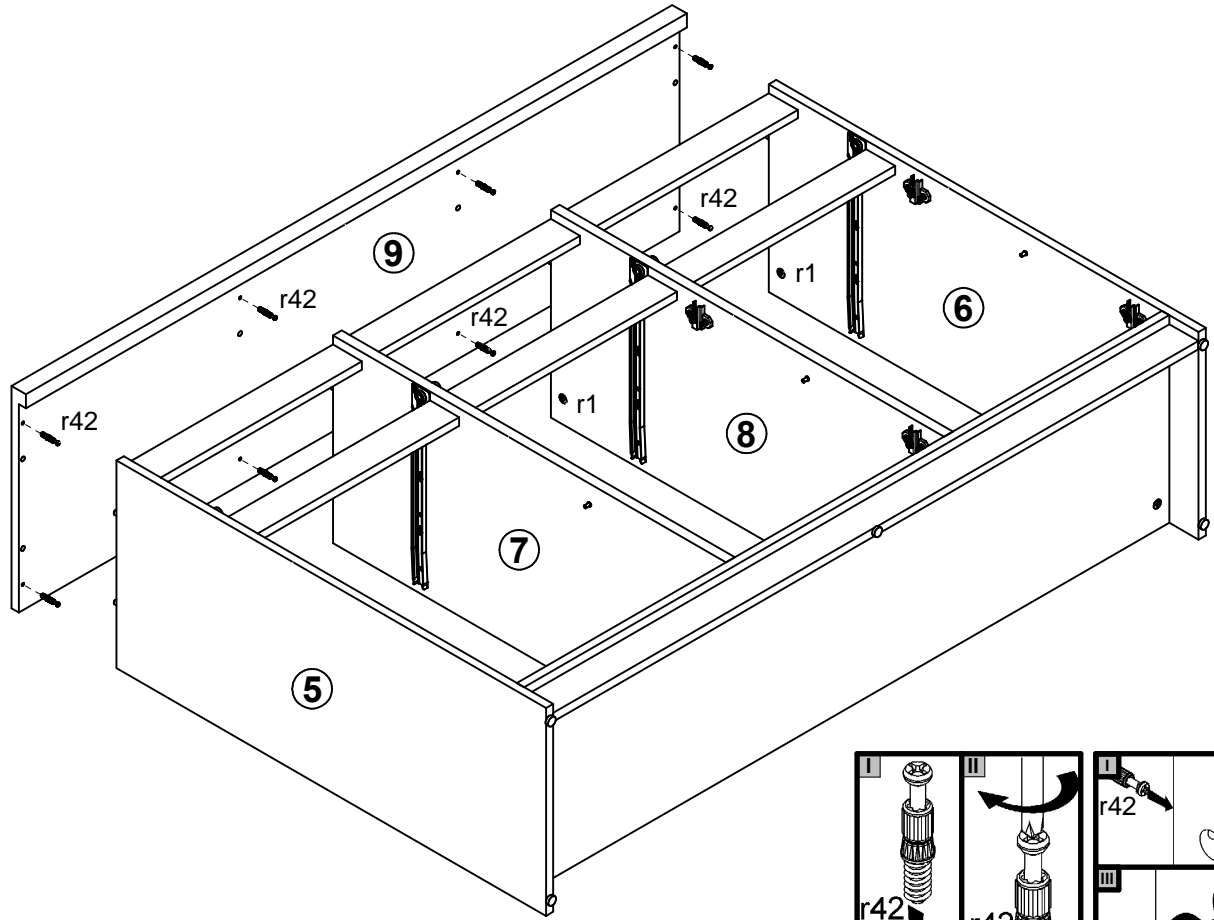
3



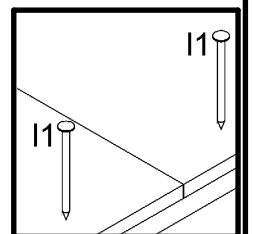
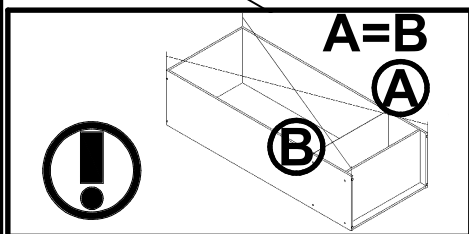
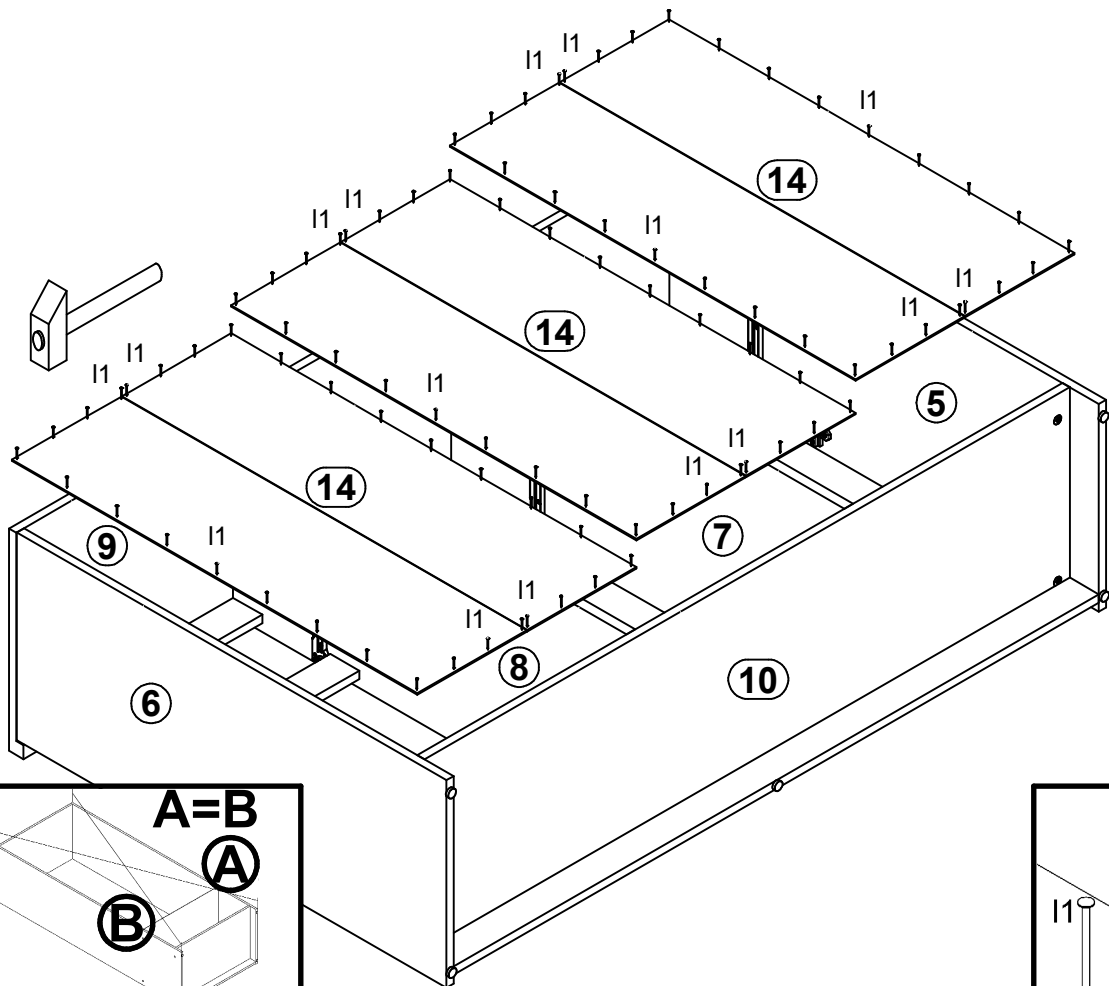
4



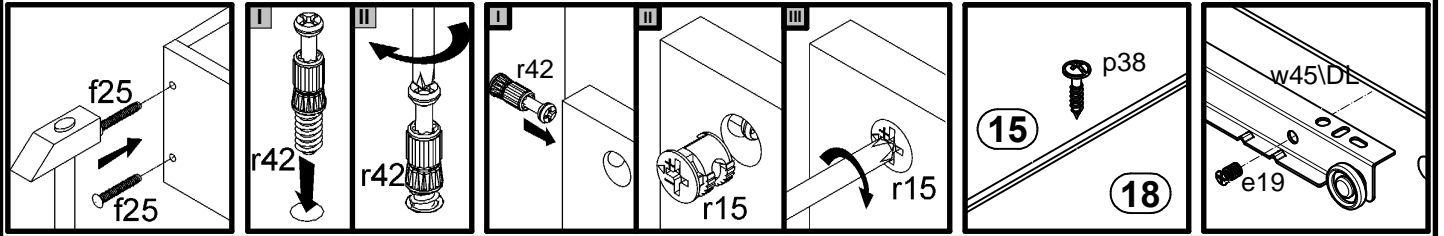
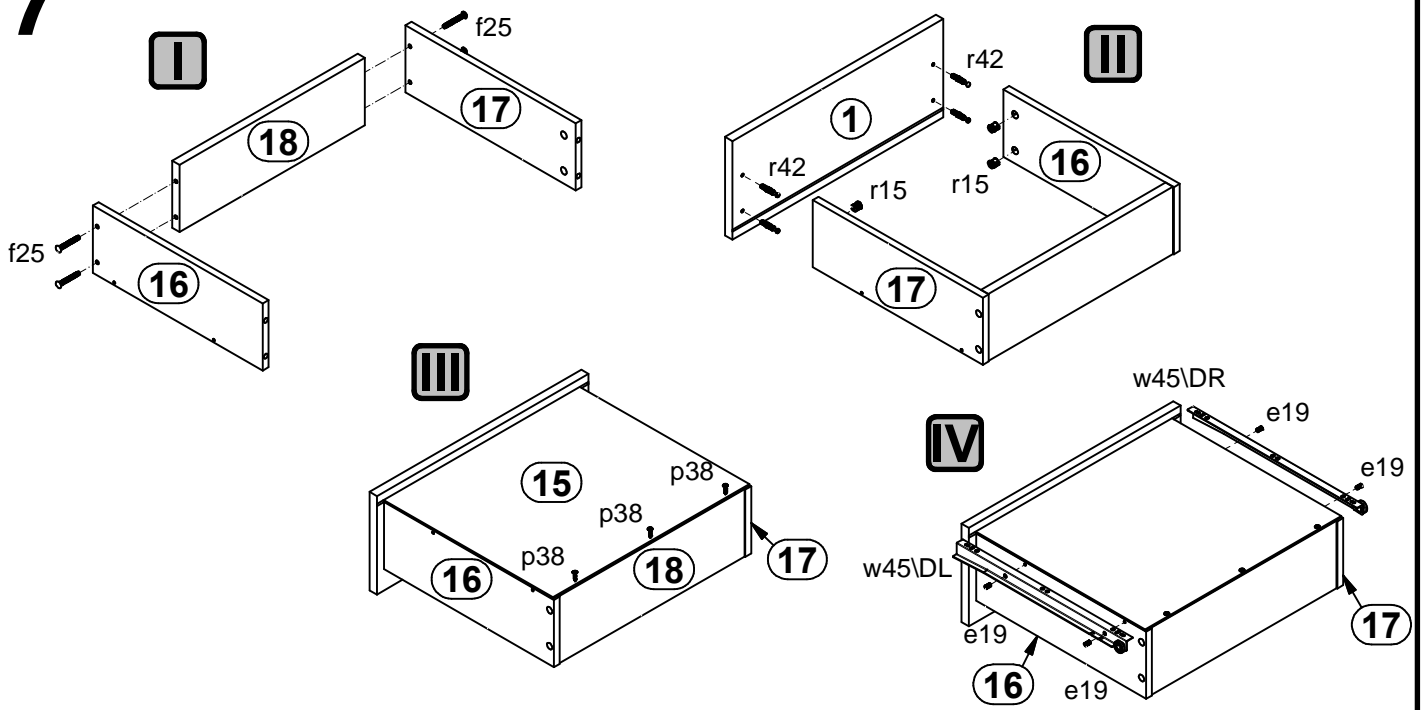
5



6



7



8

