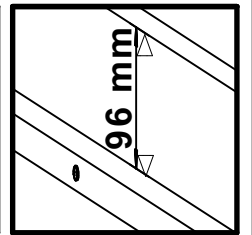
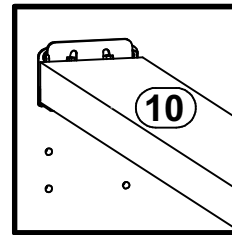
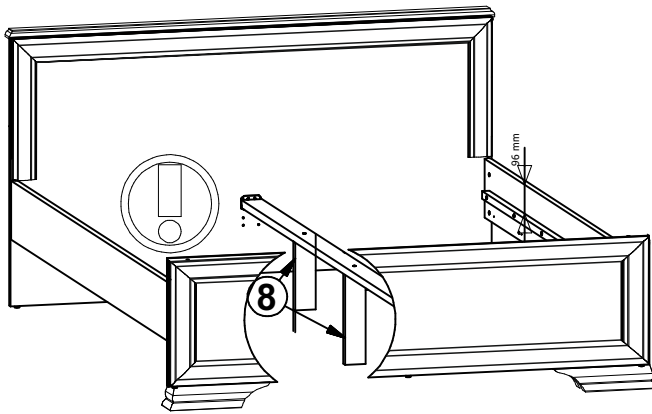
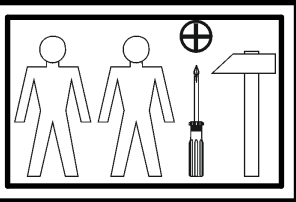
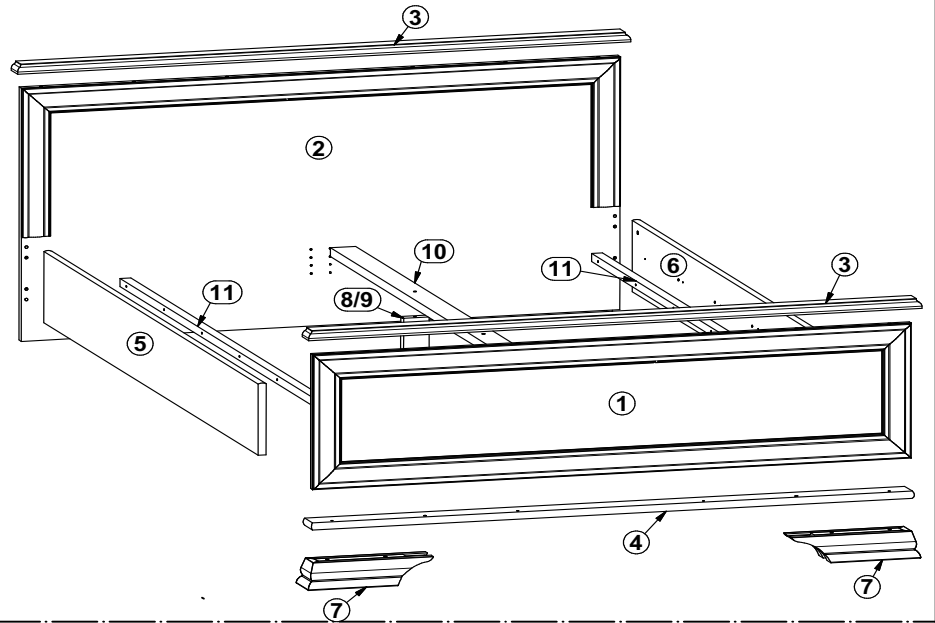
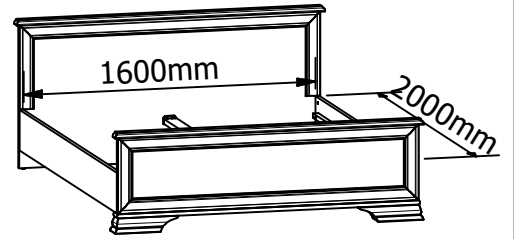


A

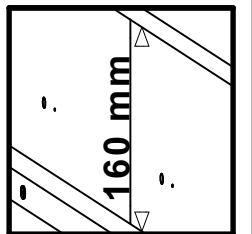
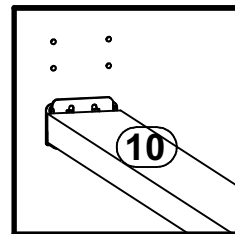
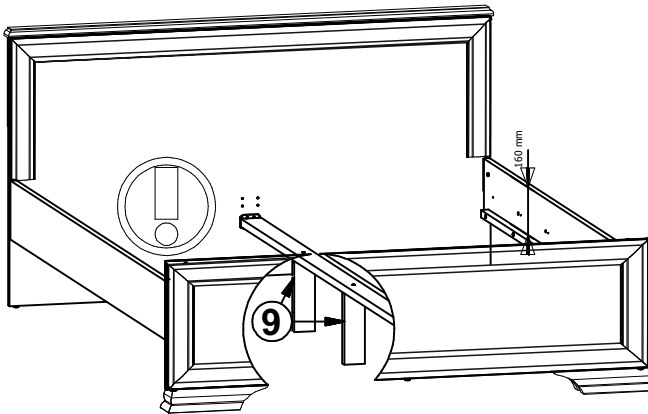
IDENTO

S320-LOZ/160

A	B	C	D	
1	S320-059	1650	412	1/5
2	S320-060	1650	773	2/5
3	S320-274	1690	60	3/5
4	S320-275	1662	77	3/5
5	S320-436	2000	220	4/5
6	S320-437	2000	220	4/5
7	S320-512	350	112	5/5
8	ZZ1-420	194	70	4/5
9	S320-438	130	70	4/5
10	ZZ1-719	1983	70	4/5
11	ZZ1-720	1880	25	4/5



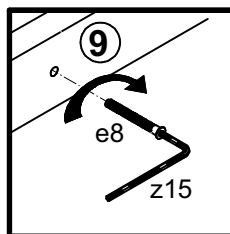
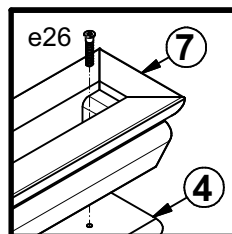
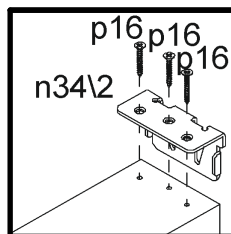
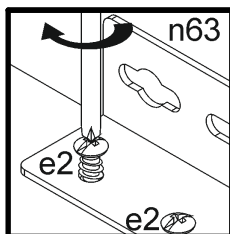
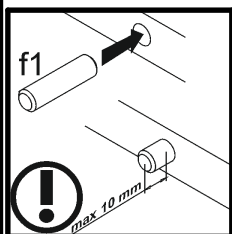
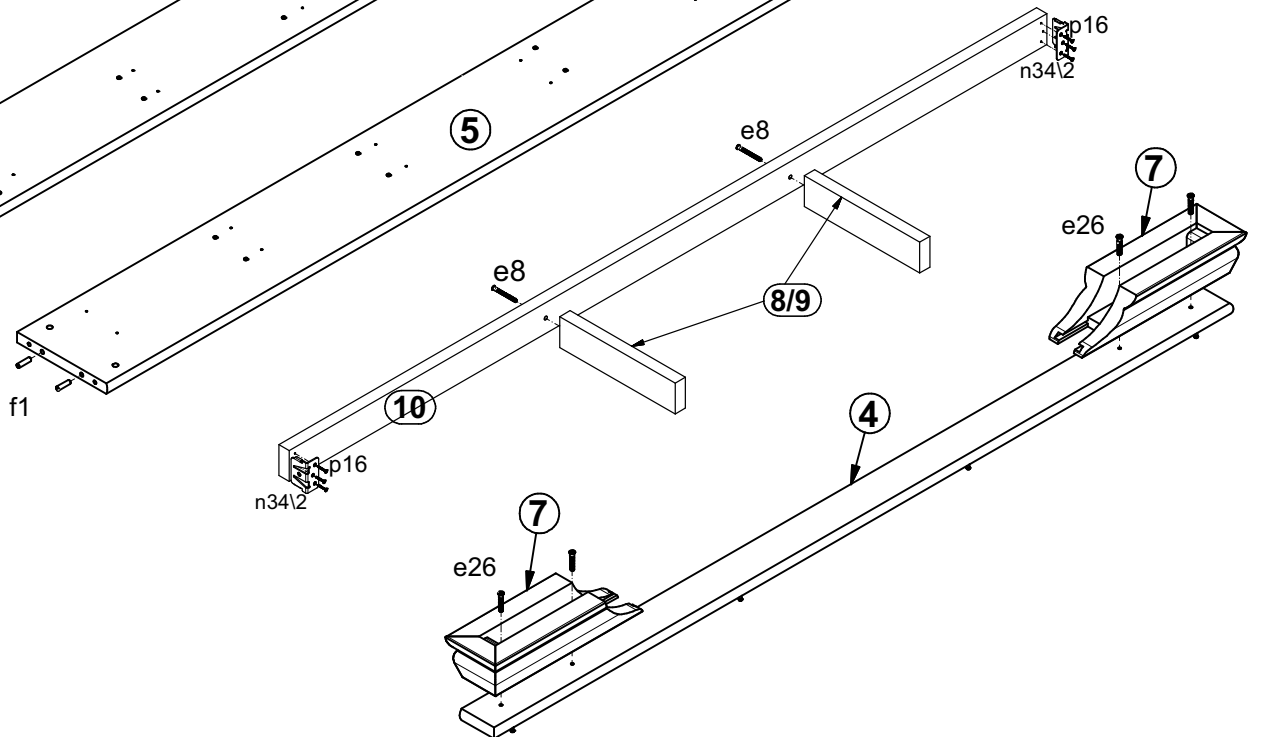
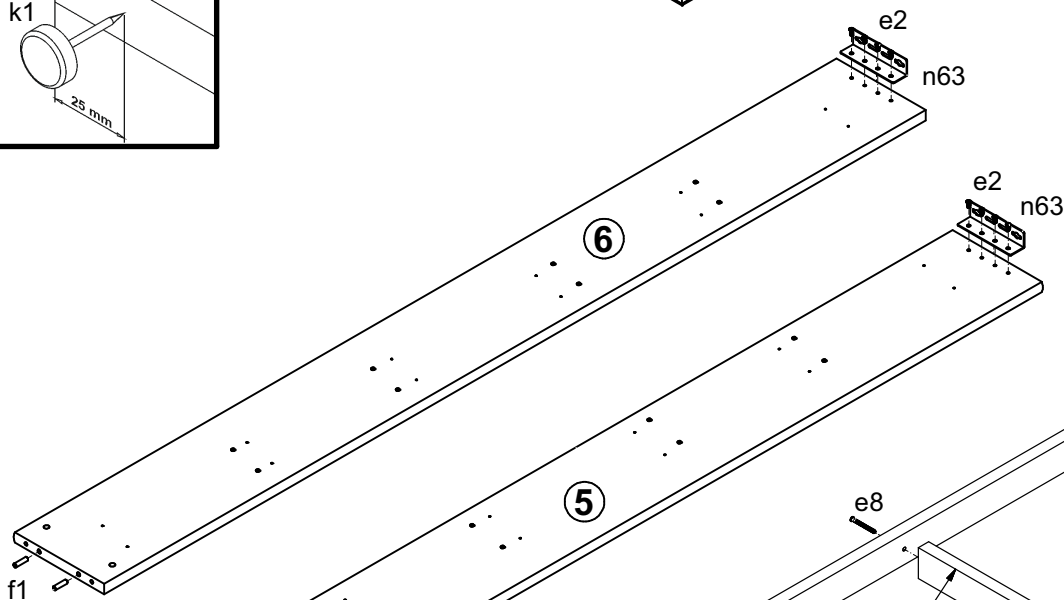
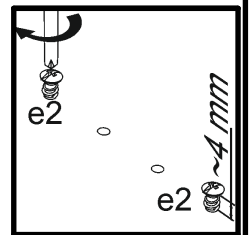
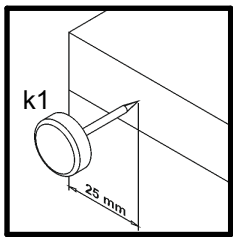
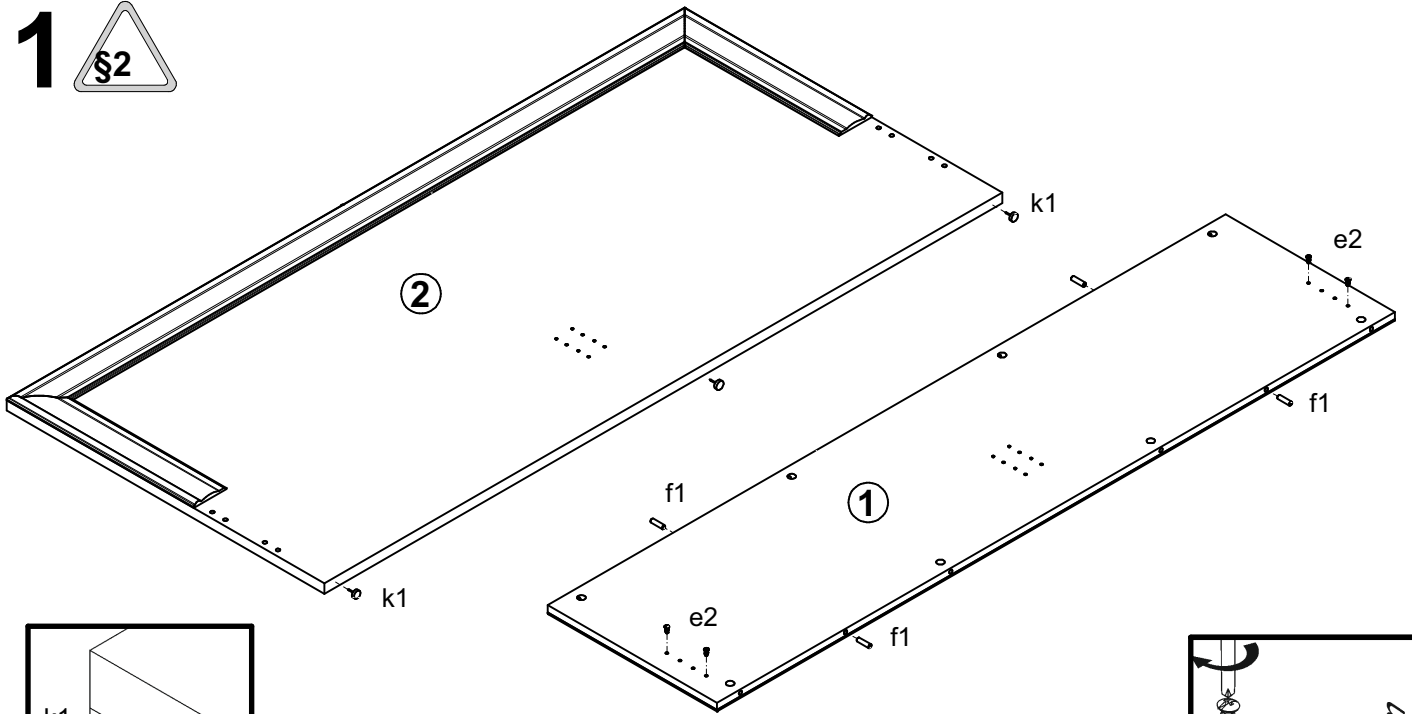
A



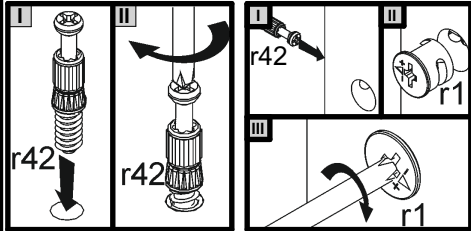
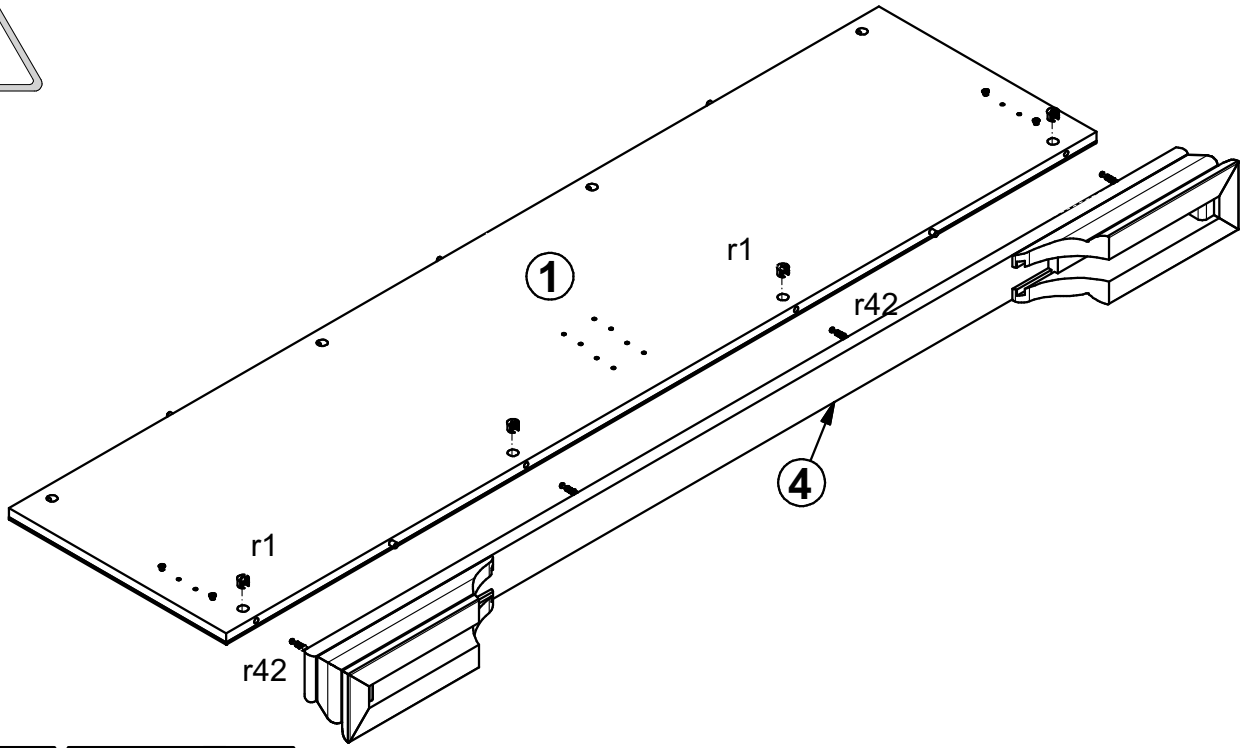
B

16x φ6.3x13 mm e2	4x φ7x35 mm e26	8x φ6x13 mm e3	2x φ7x60 mm e8	18x φ8x30 mm f1	4x M6x84 mm j117	2x n34/1	2x n34/2	2x 130x34x34/2mm n63
12x φ4x45 mm p11	6x φ3.5x25 mm p16	6x φ4x35 mm p6	12x φ1.5x12mm #16 r1	12x r42	4x φ10x16mm r43	1x 4mm z15	3x k1	4x ø16 s2

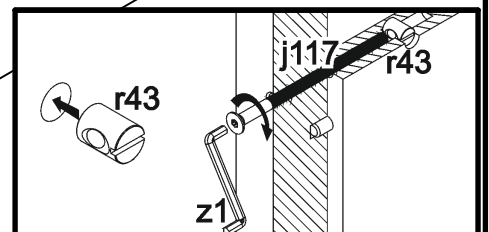
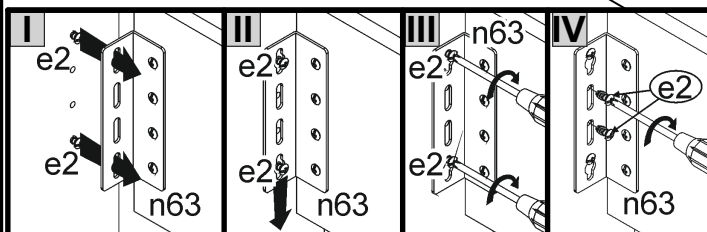
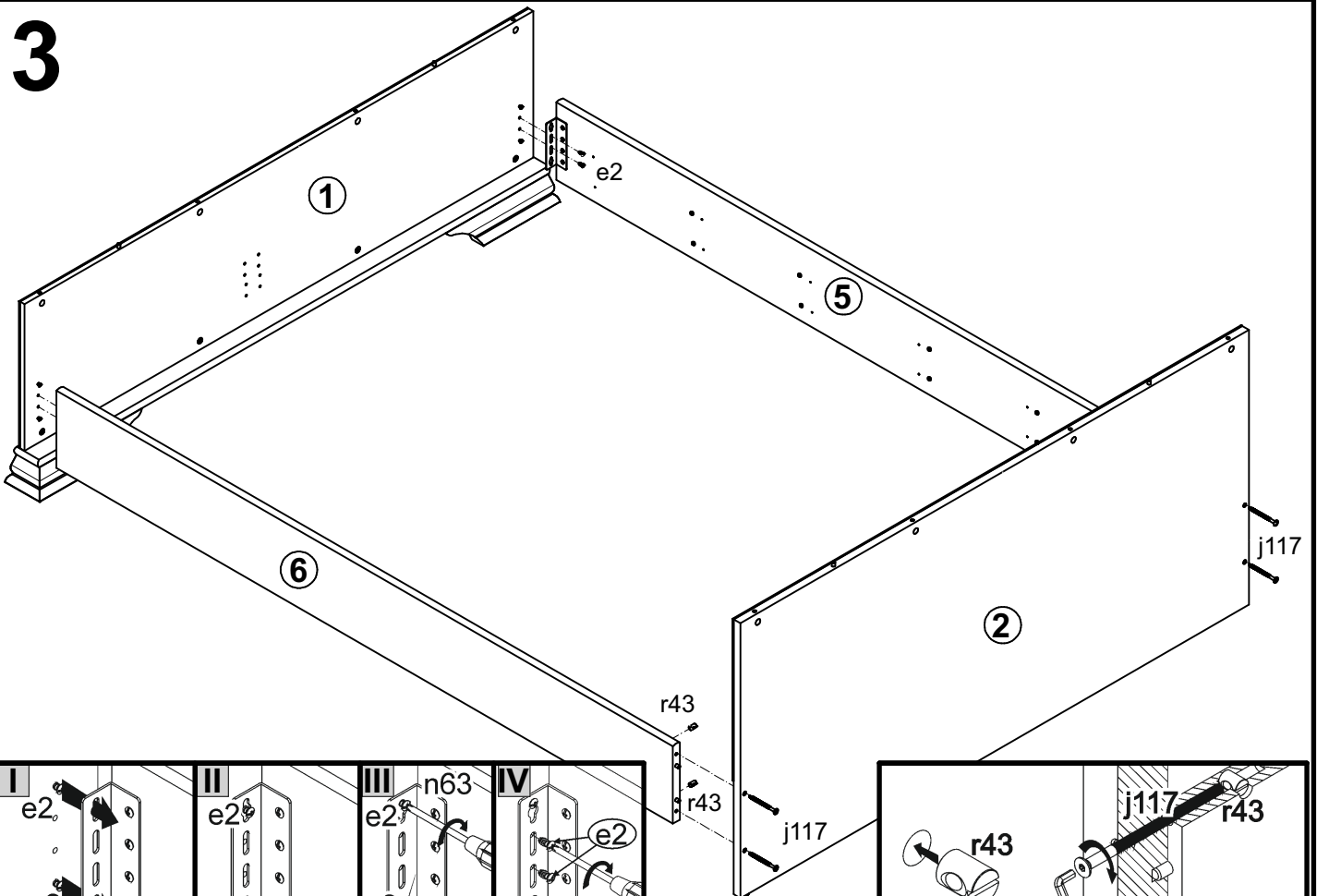
1



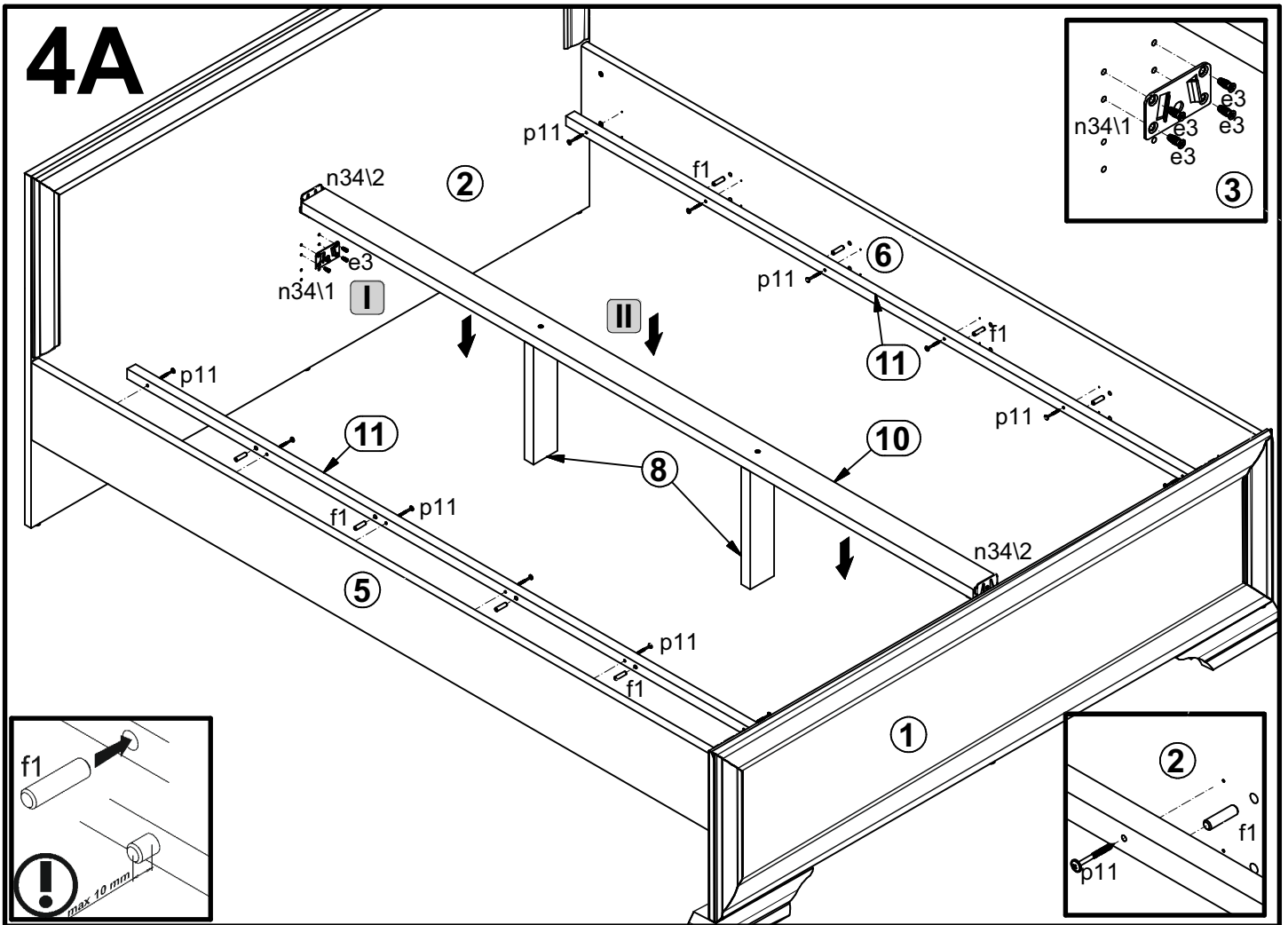
2



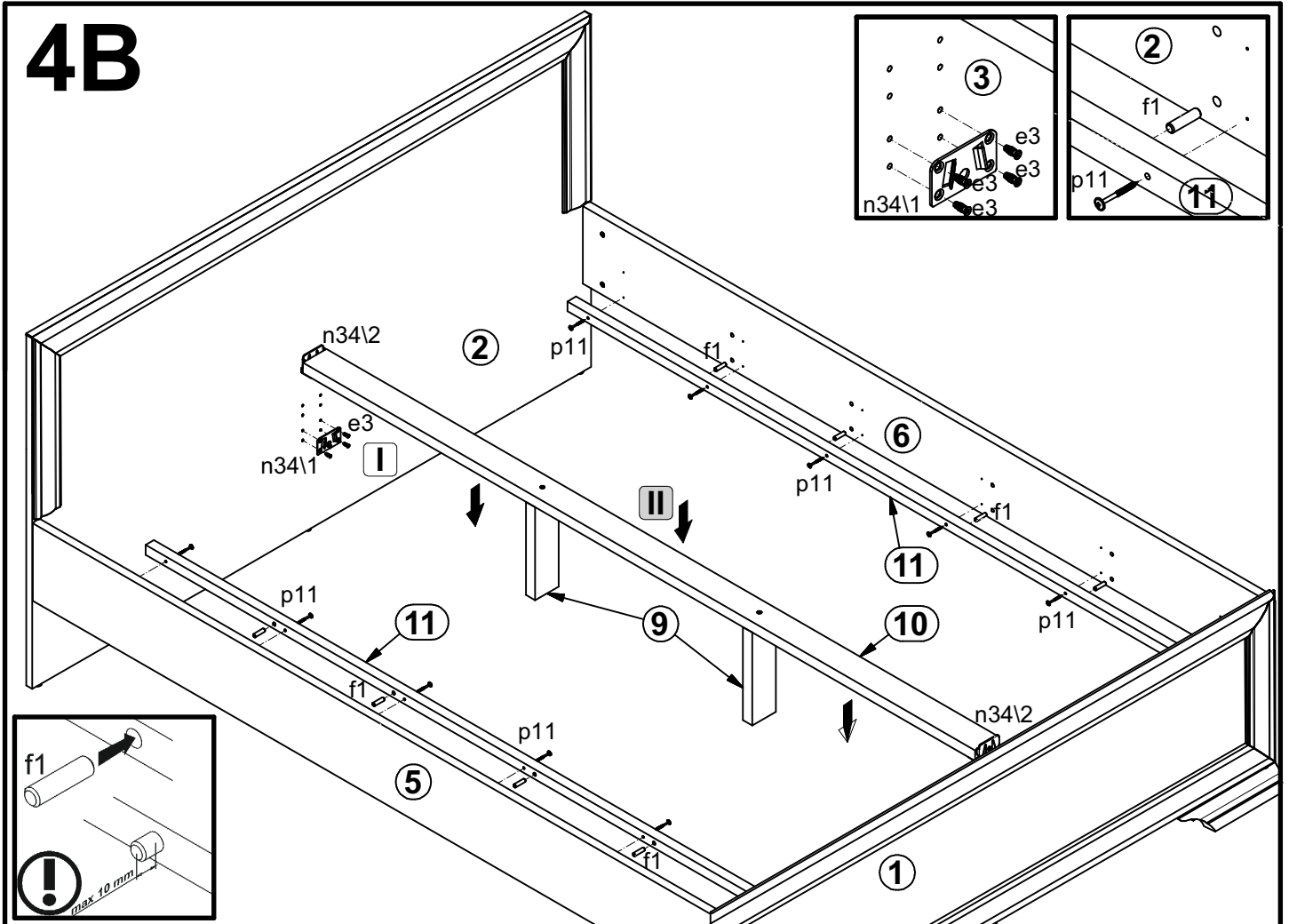
3



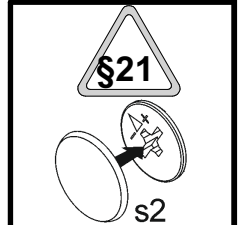
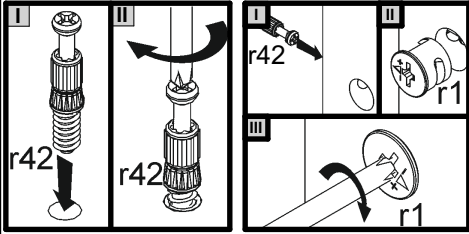
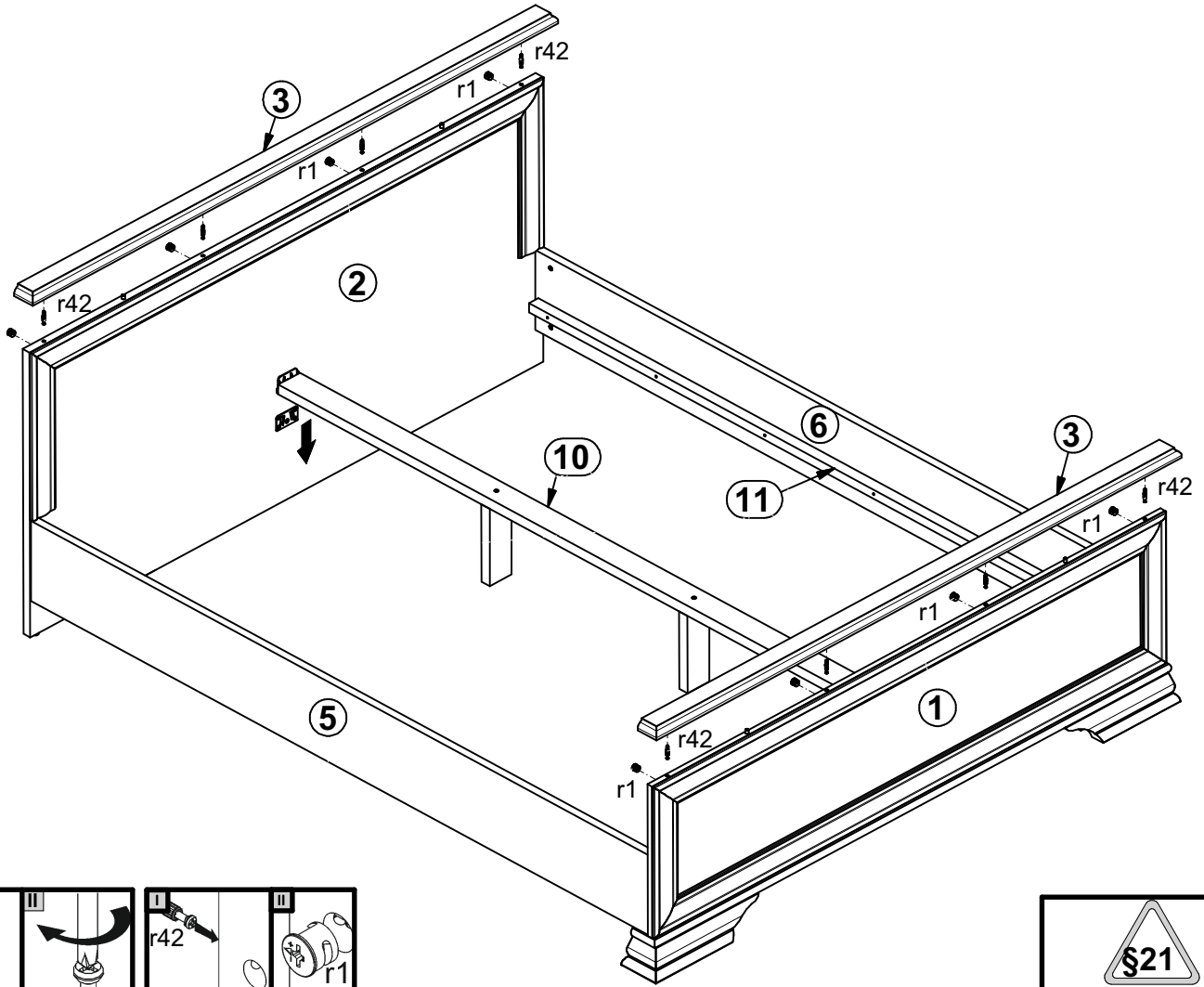
4A



4B



5



6

